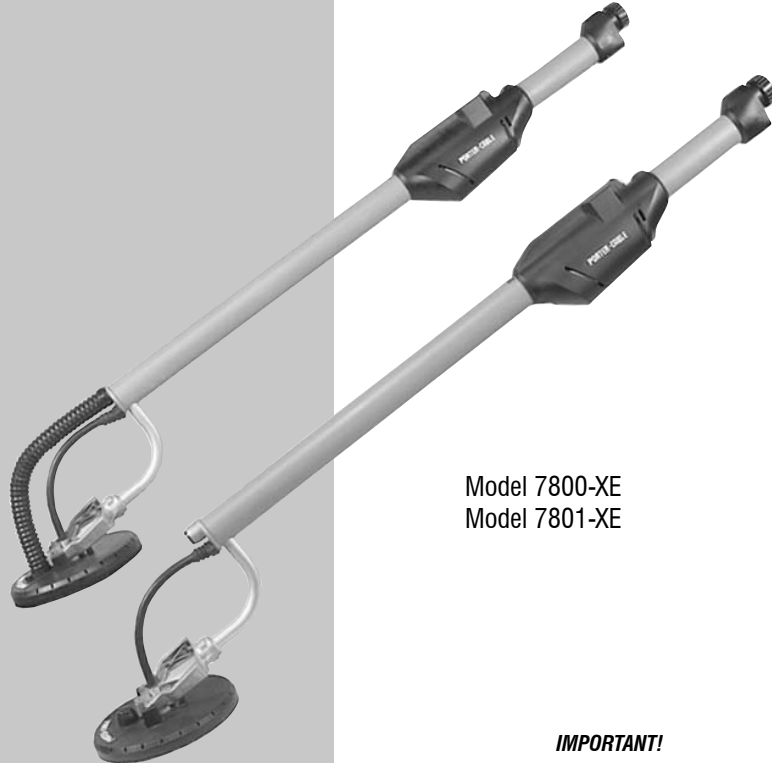


# INSTRUCTION MANUAL

# DRYWALL SANDER



Model 7800-XE  
Model 7801-XE

To learn more about PORTER-CABLE  
visit our website at:  
<http://www.deltaportercable.com>

**PORTER-CABLE®**

Copyright © 2010 PORTER-CABLE

### **IMPORTANT!**

*Please make certain that the person who is to use  
this equipment carefully reads and understands these  
instructions before starting operations.*

The Model and Serial No. plate is located on the main  
housing of the tool. Record these numbers in the spaces  
below and retain for future reference.

Model No. \_\_\_\_\_.

Type \_\_\_\_\_

Serial No. \_\_\_\_\_

Part No. N028277 AUG10

### **Definitions: Safety Guidelines**

The definitions below describe the level of severity for each signal word. Please read the manual and pay attention to these symbols.

**⚠DANGER:** Indicates an imminently hazardous situation which, if not avoided, **will** result in **death or serious injury**.

**⚠WARNING:** Indicates a potentially hazardous situation which, if not avoided, **could** result in **death or serious injury**.

**⚠CAUTION:** Indicates a potentially hazardous situation which, if not avoided, **may** result in **minor or moderate injury**.

**NOTICE:** Used without the safety alert symbol indicates a potentially hazardous situation which, if not avoided, **may** result in **property damage**.

IF YOU HAVE ANY QUESTIONS OR COMMENTS ABOUT THIS OR ANY PORTER-CABLE TOOL, CALL US AT: **1800 654 155** (Aust) or **0800 339258** (NZ).

### **SAFETY INSTRUCTIONS FOR POWER TOOLS**

When using power tools, always observe the safety regulations applicable in your country to reduce the risk of fire, electric shock and personal injury. Read the following safety instructions before attempting to operate this product. Keep these instructions in a safe place.



**WARNING:** To reduce the risk of injury, read the instruction manual.

### **GENERAL SAFETY WARNINGS**



**WARNING!** Read all safety warnings and all instructions. Failure to follow the warnings and instructions may result in electric shock, fire and/or serious injury.

The term "power tool" in the warnings refers to your mains-operated (corded) power tool or battery-operated (cordless) power tool.

### **SAVE THESE INSTRUCTIONS**

#### **1) WORK AREA SAFETY**

- a) **Keep work area clean and well lit.** Cluttered or dark areas invite accidents.
- b) **Do not operate power tools in explosive atmospheres, such as in the presence of flammable liquids, gases or dust.** Power tools create sparks which may ignite the dust or fumes.
- c) **Keep children and bystanders away while operating a power tool.** Distractions can cause you to lose control.

#### **2) ELECTRICAL SAFETY**

- a) **Power tool plugs must match the outlet. Never modify the plug in any way. Do not use any adapter plugs with earthed (grounded) power tools.** Unmodified plugs and matching outlets will reduce risk of electric shock.
- b) **Avoid body contact with earthed or grounded surfaces such as pipes, radiators, ranges and refrigerators.** There is an increased risk of electric shock if your body is earthed or grounded.
- c) **Do not expose power tools to rain or wet conditions.** Water entering a power tool will increase the risk of electric shock.
- d) **Do not abuse the cord. Never use the cord for carrying, pulling or unplugging the power tool. Keep cord away from heat, oil, sharp edges or moving parts.** Damaged or entangled cords increase the risk of electric shock.
- e) **When operating a power tool outdoors, use an extension cord suitable for outdoor use.** Use of a cord suitable for outdoor use reduces the risk of electric shock.

### 3) PERSONAL SAFETY

- a) **Stay alert, watch what you are doing and use common sense when operating a power tool. Do not use a power tool while you are tired or under the influence of drugs, alcohol or medication.** A moment of inattention while operating power tools may result in serious personal injury.
- b) **Use safety equipment. Always wear eye protection.** Protective equipment such as dust mask, non-skid safety shoes, hard hat, or hearing protection used for appropriate conditions will reduce personal injuries.
- c) **Prevent unintentional starting. Ensure the switch is in the off position before plugging in.** Carrying power tools with your finger on the switch or plugging in power tools that have the switch on invites accidents.
- d) **Remove any adjusting key or wrench before turning the power tool on.** A wrench or a key left attached to a rotating part of the power tool may result in personal injury.
- e) **Do not overreach. Keep proper footing and balance at all times.** This enables better control of the power tool in unexpected situations.
- f) **Dress properly. Do not wear loose clothing or jewellery. Keep your hair, clothing and gloves away from moving parts.** Loose clothes, jewellery or long hair can be caught in moving parts.
- g) **If devices are provided for the connection of dust extraction and collection facilities, ensure these are connected and properly used.** Use of dust collection can reduce dust-related hazards.

### 4) POWER TOOL USE AND CARE

- a) **Do not force the power tool. Use the correct power tool for your application.** The correct power tool will do the job better and safer at the rate for which it was designed.
- b) **Do not use the power tool if the switch does not turn it on and off.** Any power tool that cannot be controlled with the switch is dangerous and must be repaired.
- c) **Disconnect the plug from the power source and/or the battery pack from the power tool before making any adjustments, changing accessories, or storing power tools.** Such preventive safety measures reduce the risk of starting the power tool accidentally.
- d) **Store idle power tools out of the reach of children and do not allow persons unfamiliar with the power tool or these instructions to operate the power tool.** Power tools are dangerous in the hands of untrained users.
- e) **Maintain power tools. Check for misalignment or binding of moving parts, breakage of parts and any other condition that may affect the power tool's operation. If damaged, have the power tool repaired before use.** Many accidents are caused by poorly maintained power tools.
- f) **Keep cutting tools sharp and clean.** Properly maintained cutting tools with sharp cutting edges are less likely to bind and are easier to control.
- g) **Use the power tool, accessories and tool bits etc., in accordance with these instructions and in the manner intended for the particular type of power tool, taking into account the working conditions and the work to be performed.** Use of the power tool for operations different from those intended could result in a hazardous situation.

### 5) SERVICE

- a) **Have your power tool serviced by a qualified repair person using only identical replacement parts.** This will ensure that the safety of the power tool is maintained.

#### ***Electrical Safety***

The electric motor has been designed for one voltage only. Always check that the power supply corresponds to the voltage on the rating plate. 230 V AC means your tool will operate on alternating current. As little as 10% lower voltage can cause loss of power and can result in overheating. All PORTER-CABLE tools are factory tested; if this tool does not operate, check the power supply. Your PORTER-CABLE tool is double insulated, therefore no earth wire is required.

- **Young children and the infirm.** This appliance is not intended for use by young children or infirm persons without supervision. Young children should be supervised to ensure that they do not play with this appliance.
- **Replacement of the supply cord.** If the supply cord is damaged, it must be replaced by the manufacturer or an authorised PORTER-CABLE Service Centre in order to avoid a hazard.

### Extension Cords

**▲ CAUTION:** Use only extension cords that are approved by the country's Electrical Authority. Before using extension cords, inspect them for loose or exposed wires, damaged insulation and defective fittings. Replace the cord if necessary.

MINIMUM GAUGE FOR CORD SETS						
For Cable length (m):	7.5	15	25	30	45	60
Use Cable with minimum rating (Amperes)						
Tool Amperes						
0 - 3.4	7.5	7.5	7.5	7.5	7.5	7.5
3.5 - 5.0	7.5	7.5	7.5	7.5	10	15
5.1 - 7.0	10	10	10	10	15	15
7.1 - 12.0	15	15	15	15	20	20
12.1 - 20.0	20	20	20	20	25	–

### Additional Specific Safety Rules

**Safety Warnings Common for Grinding, Sanding, Wire Brushing, Polishing or Abrasive Cutting-Off Operations:**

- a) **This power tool is intended to function as a sander.** Read all safety warnings, instructions, illustrations and specifications provided with this power tool. Failure to follow all instructions listed below may result in electric shock, fire and/or serious injury.
- b) **Operations such as polishing, grinding, wire brushing or cutting-off are not recommended to be performed with this power tool.** Operations for which the power tool was not designed may create a hazard and cause personal injury.
- c) **Do not use accessories which are not specifically designed and recommended by the tool manufacturer.** Just because the accessory can be attached to your power tool, it does not assure safe operation.
- d) **The rated speed of the accessory must be at least equal to the maximum speed marked on the power tool.** Accessories running faster than their RATED SPEED can break and fly apart.
- e) **The outside diameter and the thickness of your accessory must be within the capacity rating of your power tool.** Incorrectly sized accessories cannot be adequately guarded or controlled.
- f) **The arbor size of wheels, flanges, backing pads or any other accessory must properly fit the spindle of the power tool.** Accessories with arbor holes that do not match the mounting hardware of the power tool will run out of balance, vibrate excessively and may cause loss of control.
- g) **Do not use a damaged accessory.** Before each use inspect the accessory such as abrasive wheels for chips and cracks, backing pad for cracks, tear or excess wear, wire brush for loose or cracked wires. If power tool or accessory is dropped, inspect for damage or install an undamaged accessory. After inspecting and installing an accessory, position yourself and bystanders away from the plane of the rotating accessory and run the power tool at maximum no-load speed for one minute. Damaged accessories will normally break apart during this test time.
- h) **Wear personal protective equipment.** Depending on application, use face shield, safety goggles or safety glasses. As appropriate, wear dust mask, hearing protectors, gloves and workshop apron capable of stopping small abrasive or workpiece fragments. The eye protection must be capable of stopping flying debris generated by various operations. The dust mask or respirator must be capable of filtering particles generated by your operation. Prolonged exposure to high intensity noise may cause hearing loss.
- i) **Keep bystanders a safe distance away from work area.** Anyone entering the work area must wear personal protective equipment. Fragments of workpiece or of a broken accessory may fly away and cause injury beyond immediate area of operation.
- j) **Hold power tool by insulated gripping surfaces only, when performing an operation where the cutting accessory may contact hidden wiring or its own cord.** Cutting accessory contacting a "live" wire may make exposed metal parts of the power tool "live" and shock the operator.
- k) **Position the cord clear of the spinning accessory.** If you lose control, the cord may be cut or snagged and your hand or arm may be pulled into the spinning accessory.
- l) **Never lay the power tool down until the accessory has come to a complete stop.** The spinning accessory may grab the surface and pull the power tool out of your control.

- m) **Do not run the power tool while carrying it at your side.** Accidental contact with the spinning accessory could snag your clothing, pulling the accessory into your body.
- n) **Regularly clean the power tool's air vents.** The motor's fan will draw the dust inside the housing and excessive accumulation of powdered metal may cause electrical hazards.
- o) **Do not operate the power tool near flammable materials.** Sparks could ignite these materials.
- p) **Do not use accessories that require liquid coolants.** Using water or other liquid coolants may result in electrocution or shock.

**⚠️ WARNING: ALWAYS wear approved protective safety equipment complying with the following standards:**

- Eye protection: AS/NZS1337 Eye Protectors for Industrial Applications;
- Hearing protection: AS/NZS1270 Acoustics – Hearing Protection;
- Respiratory protection: AS/NZS1716 Respiratory Protective Devices.

**⚠️ WARNING:** Some dust created by power sanding, sawing, grinding, drilling, and other construction activities contains chemicals known to cause cancer, birth defects or other reproductive harm. Some examples of these chemicals are:

- lead from lead-based paints,
- crystalline silica from bricks and cement and other masonry products, and
- arsenic and chromium from chemically-treated lumber (CCA).

Your risk from these exposures varies, depending on how often you do this type of work. To reduce your exposure to these chemicals: work in a well ventilated area, and work with approved safety equipment, such as those dust masks that are specially designed to filter out microscopic particles.

- **Avoid prolonged contact with dust from power sanding, sawing, grinding, drilling, and other construction activities. Wear protective clothing and wash exposed areas with soap and water.** Allowing dust to get into your mouth, eyes, or lay on the skin may promote absorption of harmful chemicals.

**⚠️ WARNING:** Use of this tool can generate and/or disburse dust, which may cause serious and permanent respiratory or other injury. Always use AS/NZS standard approved respiratory protection appropriate for the dust exposure. Direct particles away from face and body.

**⚠️ WARNING: ALWAYS wear proper personal hearing protection that conforms to AS/NZS1270 during use.** Under some conditions and duration of use, noise from this product may contribute to hearing loss.

- The label on your tool may include the following symbols. The symbols and their definitions are as follows:

V .....	volts	A .....	amperes
Hz .....	hertz	W .....	watts
min .....	minutes	~ .....	alternating current
==== .....	direct current	⎓ .....	alternating or direct current
Ⓛ .....	Class I Construction (grounded)	n <sub>0</sub> .....	no load speed
Ⓜ .....	Class II Construction (double insulated)	Ⓧ .....	earthing terminal
.../min .....	per minute	⚠️ .....	safety alert symbol
OPM.....	orbits per minute	RPM .....	revolutions per minute
		BPM .....	beats per minute

### ***Kickback and Related Warnings***

Kickback is a sudden reaction to a pinched or snagged rotating wheel, backing pad, brush or any other accessory. Pinching or snagging causes rapid stalling of the rotating accessory which in turn causes the uncontrolled power tool to be forced in the direction opposite of the accessory's rotation at the point of the binding.

For example, if a backing pad is snagged or pinched by the workpiece, the edge of the pad that is entering into the pinch point can dig into the surface of the material causing the wheel to climb out or kick out. The wheel may either jump toward or away from the operator, depending on direction of the wheel's movement at the point of pinching.

Kickback is the result of power tool misuse and/or incorrect operating procedures or conditions and can be avoided by taking proper precautions as given below.

- a) **Maintain a firm grip on the power tool and position your body and arm to allow you to resist kickback forces.** Always use auxiliary handle, if provided, for maximum control over kickback or torque reaction during start-up. The operator can control torque reactions or kickback forces, if proper precautions are taken.
- b) **Never place your hand near the rotating accessory.** Accessory may kickback over your hand.
- c) **Do not position your body in the area where power tool will move if kickback occurs.** Kickback will propel the tool in direction opposite to the wheel's movement at the point of snagging.
- d) **Use special care when working corners, sharp edges etc.** Avoid bouncing and snagging the accessory. Corners, sharp edges or bouncing have a tendency to snag the rotating accessory and cause loss of control or kickback.
- e) **Do not attach a saw chain woodcarving blade or toothed saw blade.** Such blades create frequent kickback and loss of control.

### ***Safety Warnings Specific for Sanding Operations***

- a) **Do not use excessively oversized sanding disc paper.** Follow manufacturer's recommendations when selecting sanding paper. Larger sanding paper extending beyond the sanding pad presents a laceration hazard and may cause snagging, tearing of the disc or kickback.

### ***Additional Safety Rules For Paint Removal***

1. Sanding of lead based paint is NOT RECOMMENDED due to the difficulty of controlling the contaminated dust. The greatest danger of lead poisoning is to children and pregnant women.
2. Since it is difficult to identify whether or not a paint contains lead without a chemical analysis, we recommend the following precautions when sanding any paint:

#### **PERSONAL SAFETY**

1. No children or pregnant women should enter the work area where the paint sanding is being done until all clean up is completed.
2. A dust mask or respirator should be worn by all persons entering the work area. The filter should be replaced daily or whenever the wearer has difficulty breathing. See your local hardware store for the proper AS/NZS standard approved dust mask.
3. NO EATING, DRINKING or SMOKING should be done in the work area to prevent ingesting contaminated paint particles. Workers should wash and clean up BEFORE eating, drinking or smoking. Articles of food, drink, or smoking should not be left in the work area where dust would settle on them.

#### **ENVIRONMENTAL SAFETY**

1. Paint should be removed in such a manner as to minimize the amount of dust generated.
2. Areas where paint removal is occurring should be sealed with plastic sheeting of 4 mil thickness.
3. Sanding should be done in a manner to reduce tracking of paint dust outside the work area.

#### **CLEANING AND DISPOSAL**

1. All surfaces in the work area should be vacuumed and thoroughly cleaned daily for the duration of the sanding project. Vacuum filter bags should be changed frequently.
2. Plastic drop cloths should be gathered up and disposed of along with any dust chips or other removal debris. They should be placed in sealed refuse receptacles and disposed of through regular trash pick-up procedures. During clean up, children and pregnant women should be kept away from the immediate work area.
3. All toys, washable furniture and utensils used by children should be washed thoroughly before being used again.

## ***SAVE THESE INSTRUCTIONS FOR FUTURE USE***

### **FUNCTIONAL DESCRIPTION**

The PORTER-CABLE Drywall Sander is designed for sanding walls and ceilings made of drywall or plaster. The Sander provides a superior finish, and is faster than conventional finishing methods for both new construction and renovation work. Clean-up time for Model 7800 is minimized by the use of an external vacuum cleaner attached to the sander.

**⚠ WARNING:** Never modify the power tool or any part of it. Damage or personal injury could result.

## ASSEMBLY

**NOTE:** This tool is shipped completely assembled. No assembly time or tools are required.

### **Abrasive Disc Selection**

An abrasive disc is already included with the Drywall Sander. For details on the type of grit, refer to the packaging. Higher grit number corresponds to a smoother finish. Recommended abrasive disc size is 230 mm (9").

**CAUTION:** Do not attempt to use any abrasives other than those recommended by PORTER-CABLE.

## OPERATION

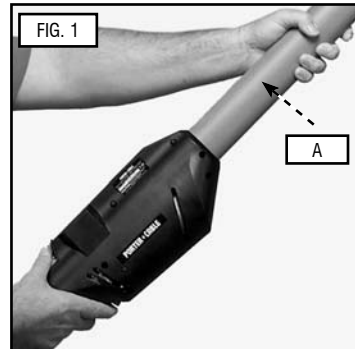
**WARNING:** The use of a residual current device (RCD) protected supply with a rated residual current of 30 mA or less is recommended. The use of an RCD reduces the risk of electric shock.

**WARNING:** To reduce the risk of injury, turn unit off and disconnect it from power source before installing and removing accessories, before adjusting or when making repairs. An accidental start-up can cause injury.

### **How To Hold A Drywall Sander**

Hold the sander with both hands on the main tube (A) Fig. 1. Position your hands anywhere along the main tube to provide the best combination of reach and leverage.

**CAUTION:** To reduce the risk of personal injury, keep your hands on the main tube (A) Fig. 1. Keep away from the sanding head area. The sanding head swivels in multiple directions and can pinch your hand.



### **Connecting The Sander To Your Shop Vac**

Furnished with the Drywall Sander are:

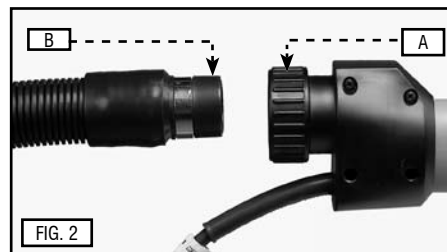
- A 3.9 m (13') long vacuum hose. This hose has a standard 32 mm (1-1/4") vacuum cleaner connector on one end and a special swivel connector on the other end. It has a static dissipating feature to dissipate static electrical charges.
- An adapter [32 mm (1-1/4") to 64 mm (2-1/2")] to allow the connection of the sander to a 64 mm (2-1/2") vacuum cleaner.

## INSTALLATION

1. Install the special drywall dust bag into your vacuum cleaner, following the instructions supplied with the vacuum cleaner. If this dust bag does not fit your vacuum cleaner correctly, purchase and install a suitable filter bag that is rated for drywall dust.

**WARNING:** To reduce the risk of personal injury, use a dust bag rated for drywall dust. Failure to do so will increase the level of airborne dust particles in the work area. Continued and prolonged exposure to high concentrations of airborne dust may affect your respiratory system function.

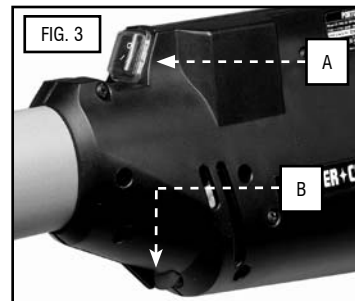
2. Connect the vacuum hose to the Drywall Sander. Open the hose connector by turning the large nut (A) Fig. 2 counterclockwise a few turns. Push the vacuum hose swivel connector (B) Fig. 2 into the connector and seat firmly. Turn the large nut clockwise to tighten the connector.
3. Connect the vacuum hose to your vacuum cleaner. Use the 32 mm (1-1/4") to 64 mm (2-1/2") adapter if necessary. If your vacuum cleaner requires a special connector (something other than the standard 32 mm (1-1/4") to 64 mm (2-1/2") connectors supplied with the Drywall Sander), contact your vacuum cleaner supplier for the proper adapter.



### **To Start And Stop The Drywall Sander**

Be certain that the power circuit voltage is the same as that shown on the specification plate of the tool, and that the switch is OFF "O". Connect the tool to the power circuit.

The Drywall Sander is equipped with a "rocker" type switch (A) Fig. 3. The top end of the switch button is labeled "O" (OFF), and the bottom end of the button is labeled "I" (ON). To start the sander, press the bottom end of the "I" switch. To stop the sander, press the top end of the "O" switch.



### **Speed Control**

The 7800 Sander is equipped with a variable speed control. Adjust the speed by turning the control knob (B) Fig. 3. The control knob is numbered "1" through "5". The setting "1" is the slowest speed (approximately 1000 RPM) and "5" is the fastest speed (approximately 1650 RPM).

Use the higher speed settings for fast stock removal. Use the lower speed setting to reduce removal rate for more precise control. The Model 7801 Drywall Sander has a constant speed of 1650 RPM.

### **Brush-Type Skirt**

A brush-type skirt (A) Fig. 4 surrounds the abrasive pad on the Model 7800. This skirt serves two purposes:

It extends below the surface of the abrasive pad to prevent the abrasive from "gouging" the work.

It helps contain the drywall dust until the vacuum cleaner pulls it away.

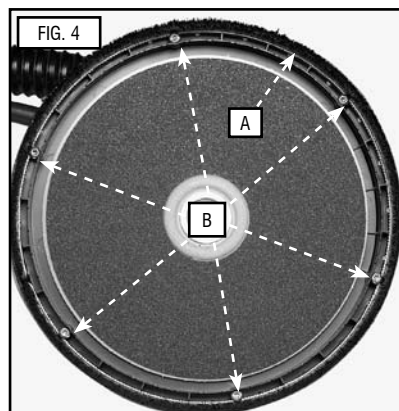
Replace the skirt if it is damaged or if it is worn excessively. Replacement skirts are available from any PORTER-CABLE Service Center.

Since the **Model 7801** requires no vacuum cleaner, the skirt is shorter, but still prevents "gouging".

#### **TO REPLACE A SKIRT**

**⚠WARNING:** To reduce the risk of injury, turn unit off and disconnect it from power source before installing and removing accessories, before adjusting or when making repairs. An accidental start-up can cause injury.

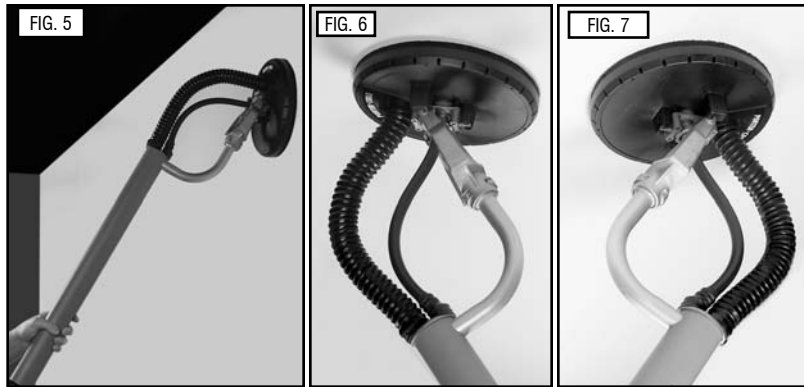
1. Remove abrasive pad (see **Abrasive Pad Replacement**).
2. Use phillips screwdriver to remove the six retaining screws (B) Fig. 4.
3. Lift the skirt out of housing.
4. Position the new skirt to the housing and install the six retaining screws.
5. Replace the abrasive pad.



### **Sanding Drywall**

The Drywall Sander has an articulating sanding head. The head can swivel in multiple directions, allowing the abrasive pad to conform to the work surface (Figs. 5, 6, and 7). This action enables you to sand the top, middle, and bottom of a wall or ceiling joint without changing position.





1. Turn the vacuum cleaner switch ON (I). (**Model 7800 only**).

**⚠WARNING: To reduce the risk of personal injury, ALWAYS wear a respirator AS/NZS standard for "Dust and Mist".**

2. Turn Drywall Sander switch ON (I).

3. Position the Drywall Sander lightly against the work surface. Apply just enough pressure to align the sanding head with the work surface.

4. Apply additional pressure to engage the abrasive pad on the work surface. Move the sander in an overlapping pattern to smooth the drywall compound down to a "featheredge".

Apply ONLY enough pressure to keep the abrasive pad flat against the work.

Keep the sander in constant motion while the abrasive pad is in contact with the work surface. Use a steady, sweeping motion. Excessive pressure, stopping the sander on the work, or moving the sander erratically can cause unacceptable swirl marks and unevenness in the work surface.

**NOTE:** Do not allow rotating abrasive pad to contact sharp protrusions. Contact with protruding objects (nails, screws, electrical boxes, etc.), can severely damage the abrasive pad.

### ***Abrasive Pad Replacement***

**⚠WARNING: To reduce the risk of injury, turn unit off and disconnect it from power source before installing and removing accessories, before adjusting or when making repairs.** An accidental start-up can cause injury.

1. Grasp the abrasive pad and the sander housing to prevent pad rotation.

2. Rotate the pad retaining nut (A) Fig. 8 counterclockwise and remove.

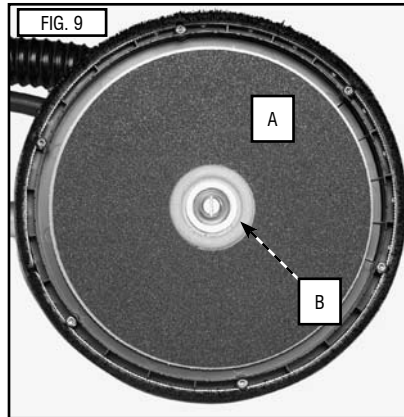
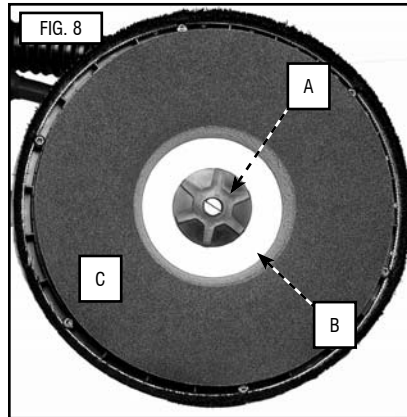
3. Lift off the large metal washer (B) Fig. 8, and the abrasive pad (C) Fig. 8.

**NOTE:** When the abrasive pad (C) Fig. 8 is lifted from the sander, the abrasive back-up disc (A) Fig. 9 is exposed. Note that this back-up disc is also covered with an abrasive material, and is used ONLY to prevent "slippage" between the back-up disc and the foam-backed abrasive pad. It is NOT suitable for use as a sanding abrasive. **DO NOT USE THE SANDER WITHOUT A PROPER ABRASIVE PAD.**

4. Position the new abrasive pad to the back-up disc, and center the hole of the disc on the hub (B) Fig. 9 of the back-up disc.

5. Position the large metal washer (B) Fig. 8, and the retaining nut (A) Fig. 8, to the sander.

6. Rotate the retaining nut clockwise to hand tighten (while holding the abrasive pad as described in step 1).



### ***Transportation And Storage***

Keep the sander dry during transport and storage. Protect the abrasive pad. Contact with another object may deform the pad, causing it to sand unevenly. If you cannot protect the pad during transport or storage, remove and store it separately.

### **MAINTENANCE**

**⚠WARNING:** To reduce the risk of injury, turn unit off and disconnect it from power source before installing and removing accessories, before adjusting or when making repairs. An accidental start-up can cause injury.

#### ***Cleaning***

**⚠WARNING:** Blow dirt and dust out of all air vents with dry air at least once a week. Wear proper AS/NZS1337 standard approved eye protection and proper AS/NZS1716 standard approved respiratory protection when performing this.

**⚠WARNING:** Never use solvents or other harsh chemicals for cleaning the non-metallic parts of the tool. These chemicals may weaken the plastic materials used in these parts. Use a cloth dampened only with water and mild soap. Never let any liquid get inside the tool; never immerse any part of the tool into a liquid.

#### ***Repairs***

To assure product SAFETY and RELIABILITY, repairs, maintenance and adjustment (including brush inspection and replacement) should be performed by certified service centers or other qualified service organizations, always using identical replacement parts.

#### **FAILURE TO START**

Should your tool fail to start, check to make sure the prongs on the cord plug are making good contact in the outlet. Also, check for blown fuses or open circuit breakers in the line.

#### **LUBRICATION**

This tool has been lubricated with a sufficient amount of high grade lubricant for the life of the unit under normal operating conditions. No further lubrication is necessary.

#### **BRUSH INSPECTION**

For your continued safety and electrical protection, brush inspection and replacement on this tool should ONLY be performed by a certified service centers or other qualified service organizations.

At approximately 100 hours of use, take or send your tool to your nearest certified service centers or other qualified service organizations to be thoroughly cleaned and inspected. Have worn parts replaced and lubricated with fresh lubricant. Have new brushes installed, and test the tool for performance.

Any loss of power before the above maintenance check may indicate the need for immediate servicing of your tool. DO NOT CONTINUE TO OPERATE TOOL UNDER THIS CONDITION. If proper operating voltage is present, return your tool to the service station for immediate service.

## ACCESSORIES

**▲ WARNING:** Since accessories, other than those offered by PORTER-CABLE, have not been tested with this product, use of such accessories with this tool could be hazardous. To reduce the risk of injury, only PORTER-CABLE, recommended accessories should be used with this product.

Recommended accessories for use with your tool are available at extra cost from your local service center. If you need any assistance in locating any accessory, please contact PORTER-CABLE Industrial Tool Co., 20 Fletcher Road, Mooroolbark, VIC 3138 Australia or call (AUS) 1800 654 155 or (NZ) 0800 339258.

### **Guarantee**

Applicable to hand held Power Tools, Lasers and Nailers.

### **Three Year Limited Warranty**

PORTER-CABLE will repair, without charge, any defects due to faulty materials or workmanship for three years from the date of purchase. Please return the complete unit, transportation prepaid, to any PORTER-CABLE Service Centre, or any authorised service station.

For warranty repair information, call (AUS) 1800 654 155 or (NZ) 0800 339258.

This warranty does not apply to

- Accessories
- Damage caused where repairs have been made or attempted by others.
- Damage due to misuse, neglect, wear and tear, alteration or modification.

This warranty gives you specific legal rights and you may have other rights under the provisions of the Consumer Guarantee Act 1993 (New Zealand only), Trade Practices Act 1974 and State Legislation (Australia only).

In addition to the warranty, PORTER-CABLE tools are covered by our:

#### **FREE ONE YEAR SERVICE CONTRACT**

PORTER-CABLE will also maintain the tool for free at any time during the first year of purchase. This includes labour, parts and lubrication required to restore the product to sound mechanical and/or electrical condition. Normal wear parts are not covered in this service. Carbon brushes worn more than 50% will be replaced.

**NOTE:** Three Year Warranty is not applicable to items deemed as consumables. Radial arm saws are covered by a one (1) year warranty only. PORTER-CABLE Reserves the right to review its warranty policy prior to launch of any new business development products.

#### **30 DAY NO SATISFACTION GUARANTEE**

If you are dissatisfied with any PORTER-CABLE power tool, laser or nailer, for any reason, simply return it to the point of purchase with your sales receipt within 30 days for a replacement unit or a full refund.

**FREE WARNING LABEL REPLACEMENT:** If your warning labels become illegible or are missing, call (AUS) 1800 654 155 or (NZ) 0800 339258 for a free replacement.

**Model 7800-XE**  
9" (230mm) Dry Wall Sander  
Variable Speed

Serial No.

**WARNING:** To reduce the risk of injury, user must read and understand instruction manual. Always use proper eye and respiratory protection.

PORTER CABLE CORP., JACKSON, TN 38305 U.S.A.

**PORTER♦CABLE®**