

INSTRUCTION MANUAL

---

**DEWALT**®

---

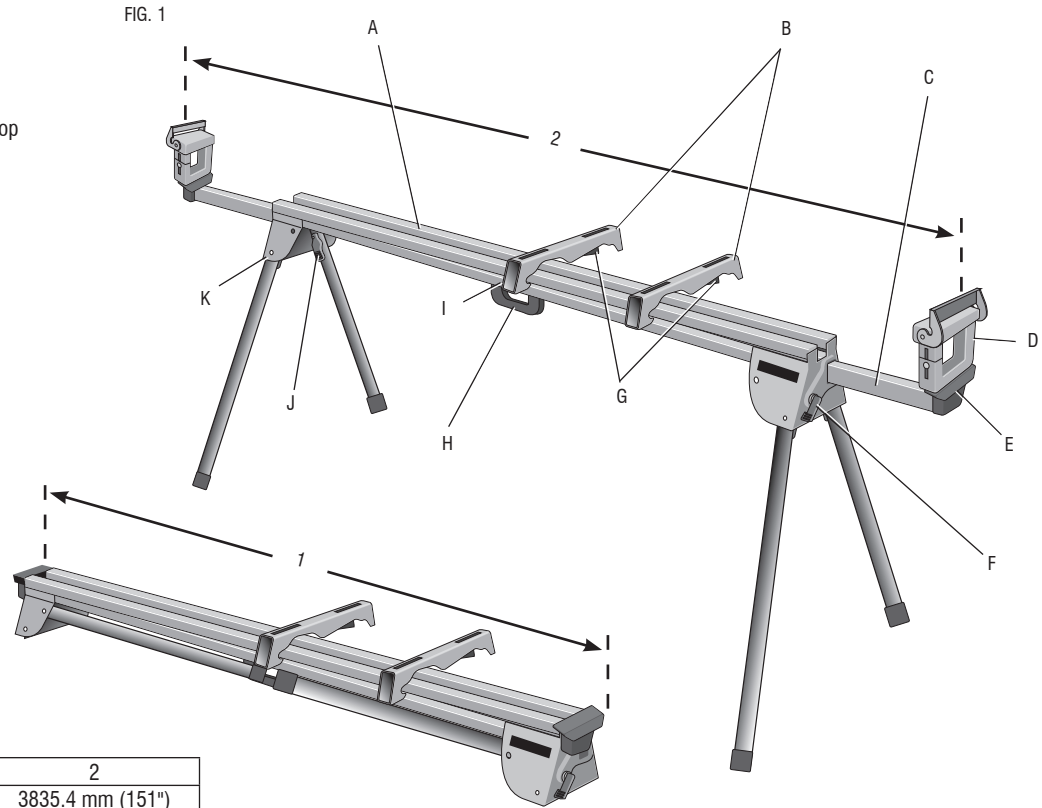
**DWX723-XE**

HEAVY-DUTY MITER SAW STAND

## DWX723-XE MITER SAW STANDS

### Components List

- A. Beam
- B. DW7231 Miter saw mounting brackets
- C. Extension arm
- D. DW7232 Work piece support and length stop
- E. Extension arm end cap
- F. Extension arm lock lever
- G. Release levers
- H. Carry handle
- I. Locking locator clip
- J. Leg lock lever
- K. Release button



### **Definitions: Safety Guidelines**

The definitions below describe the level of severity for each signal word. Please read the manual and pay attention to these symbols.

**⚠DANGER:** Indicates an imminently hazardous situation which, if not avoided, **will** result in **death or serious injury**.

**⚠WARNING:** Indicates a potentially hazardous situation which, if not avoided, **could** result in **death or serious injury**.

**⚠CAUTION:** Indicates a potentially hazardous situation which, if not avoided, **may** result in **minor or moderate injury**.

**NOTICE:** indicates a practice **not related to personal injury** which, if not avoided, **may** result in **property damage**.

IF YOU HAVE ANY QUESTIONS OR COMMENTS ABOUT THIS OR ANY DEWALT TOOL, CALL US AT: **1800 444 224** (Aust) or **0800 339 258** (NZ).

### **Miter Saw Stand with Folding Legs DWX723-XE**

This stand is designed for use with most miter saws. If you have any problem with alignment or mounting, call 1800 444 224 (Aust) or 0800 339 258 (NZ).

**⚠ WARNING:** For your own safety, read the miter saw instruction manual before using any accessory. Failure to heed these warnings may result in personal injury and serious damage to the miter saw and the accessory. When servicing this tool, use only identical replacement parts.

### **Carton Contents**

- 1 Miter saw stand
- 2 Miter saw mounting brackets (DW7231)
- 2 Workpiece support and length stops (DW7232)
- 1 Hardware bag

### **Tools Required**

- Drill with 9.5 mm (3/8") drill bit (Not required for DeWALT Miter Saws)
- Crosshead #2 screwdriver
- 13 mm (1/2") Wrench

### **Components (Fig. 1)**

**⚠WARNING:** Never modify the stand or any part of it. Damage or personal injury could result.

Refer to Figure 1 for **Components List**.

## **GENERAL SAFETY INSTRUCTIONS FOR MITER SAW STANDS**

**⚠WARNING:** To reduce the risk of personal injury:

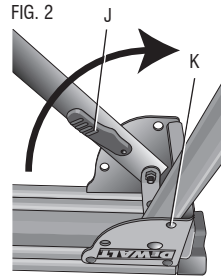
- **ALWAYS use eye protection.** All users and bystanders must wear eye protection that conforms to AS/NZS1337.
- **ALWAYS** check the stability of the miter saw stand and the miter saw attached to it before putting the stand or the saw into use.
- **DO NOT** mount any power tool other than a miter saw to this stand. Mounting other power tools to this stand could result in severe personal injury.
- **DO NOT** exceed the weight this stand can hold. The main center beam of the miter saw stand is designed to support 227 kg. (500 lbs.) safely in a work environment. It is unsafe to climb, sit or stand on the stand.
- Follow the mounting instructions carefully. Fasten the miter saw to the saw mounting brackets securely as instructed.
- **DO NOT** modify or use stand for operations for which it is unintended.
- **DO NOT** use the stand on uneven surfaces. The stand is designed to be used on a flat, stable surface.
- **DO NOT** use on a slippery surface. The stand load capacity is greatly reduced when used on slippery surfaces.

**SAVE THESE INSTRUCTIONS**

## Preparation (Fig. 2)

1. Place the miter saw stand on the ground with the folded legs facing up.
2. Depress the leg lock lever (J) or release button (K) and pull leg up until the locking pin clicks into the place. Repeat on each leg.
3. Lift the stand by the center beam and place it in an upright position. The stand should be stable and should not rock.

**NOTE:** Ensure all locking pins are engaged and the legs are locked in place.



## ASSEMBLY

### DW7232 Workpiece Support and Length Stops (Fig. 3–4)

- a. The work support/stop (D) has a clamp (L) to capture the beam and keep it from being knocked off the beam by your material. The knob (M) may be locked by turning clockwise and the work support/stop is free to be repositioned when the knob is turned counterclockwise. Do not overtighten, firm pressure on the knob will hold the stop in place.

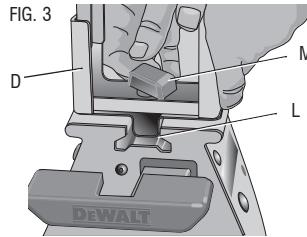
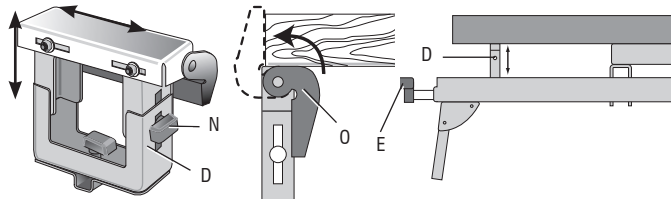


FIG. 4



- b. Adjust the height of the work support/stop (D) by loosening the knobs on both sides (N) and raise or lower the top surface to align with a straight edge or level to the saw table. Tighten the knobs.

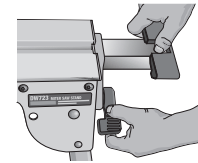
**NOTE:** If the work support height adjustment slips down when under a load, the weight limit of the work support has been exceeded. This weight limit is limited by the tightness of the height adjustment knobs. Do not tighten more than finger tight.

- c. The work support/stop (D) can also be installed in the end cap (E) at the end of the extension arms.
- d. The length stop (O) may be rotated up to serve as a length stop or hold the end of long workpieces.

### Adjustable Length Extension Arm (Fig. 5)

To lengthen the support surface, turn the extension arm lock lever counterclockwise to release the extendable extension arm. Pull the extendable extension arm out to the desired length. Turn the extension arm lock lever clockwise to lock.

FIG. 5



### DW7231 DEWALT Miter Saw Mounting Method (Fig. 6, 7)

**⚠ WARNING:** To reduce the risk of injury, turn unit off, disconnect machine from power source before assembling the miter saw to the miter saw stand. An accidental start-up can cause injury.

**⚠ WARNING:** Stability Hazard. You must use the **Universal Miter Saw Mounting Method** when mounting a miter saw not manufactured by DEWALT to this miter saw stand.



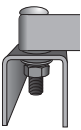
**⚠ WARNING:** To reduce the risk of personal injury, be sure the miter saw is fully anchored on the stand.

**⚠ WARNING:** For your own safety, read and understand the miter saw instruction manual before using. Failure to heed these warnings may result in personal injury and serious damage to the miter saw and the accessory.

1. Place saw in operational position with blade facing you. Align with label on the mounting bracket showing front.
2. Place a spacer, such as a 2 x 4, under one side of the miter saw to hold the saw's mounting feet above the work surface.

3. Hold a mounting bracket under the saw and feed a carriage bolt (hardware bag) up through the bracket and the foot of the saw.

**NOTE:** See **DW7231 Hardware Selection Chart** for the correct mounting hardware procedures for DEWALT miter saws. Follow all instructions properly, otherwise the miter saw's table rotation may be obstructed.

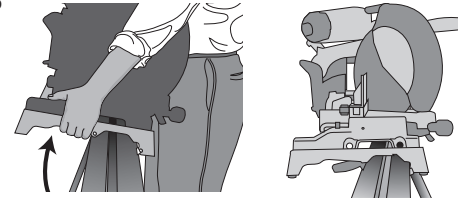
DW7231 HARDWARE SELECTION CHART		
	Left Side	Right Side
DW713-XE	1	1
DW715-XE	1	1
DW716-XE	1	1
DW717-XE	2	1
DW718-XE	3	2
	1 = Long screw, Head on bottom	
	2 = Short screw, Head on bottom	
	3 = Long screw, Head on top	

4. Once the carriage bolt (hardware bag) is installed per **DW7231 Hardware Selection Chart**, assemble a flat washer, lock washer and nut onto the bolt. Tighten the bolts finger tight.
5. Repeat procedure on the other end of the bracket.
6. Move the 2 x 4 to the other side of the saw to hold the other end of the saw up in

order to access the saw base.

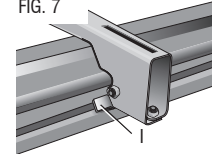
7. Feed carriage bolts through the other bracket and the base of the saw as before. Ensure both brackets are parallel to each other.
8. To place the saw onto the stand, grasp and lift saw by mounting bracket assembly by the release levers. These levers do not lock the saw laterally in place but merely serve as a means of mounting the saw to the beam.

FIG. 6



9. Approach the beam with saw/bracket assembly tilting toward your body slightly. Engage the concave front lip of the mounting bracket with rounded edge of beam. One of the brackets must engage the locator clip (I) to prohibit lateral movement of the saw during use.
10. When front edge of the beam and locking locator clip are engaged, a slight downward pivot will allow secure engagement of the release levers to the back of the beam. Rock the saw gently on the brackets to verify locking in position.
11. Adjust the saw position as necessary to have the blade perpendicular to the beam when in the 0 degree miter position.
12. Tighten the four nuts holding the saw to the brackets securely.

FIG. 7



### **DW7231 Universal Miter Saw Mounting Method (Fig. 1, 7–9)**

**⚠ WARNING:** To reduce the risk of injury, turn unit off, disconnect machine from power source before assembling the miter saw to the miter saw stand. An accidental start-up can cause injury.

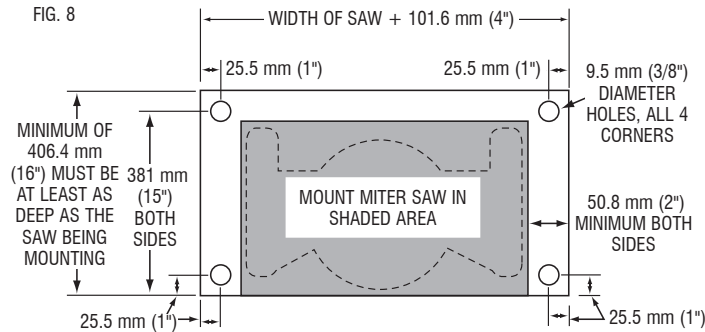
**⚠ WARNING: Stability Hazard.** You must use the plywood mounting method described in the following instructions when mounting a miter saw not manufactured by DeWalt to this miter saw stand.

**⚠ WARNING:** To reduce the risk of personal injury, be sure the miter saw is fully anchored on the stand.

**⚠ WARNING:** For your own safety, read and understand the miter saw instruction manual before using. Failure to heed these warnings may result in personal injury and serious damage to the miter saw and the accessory.

**NOTE:** If you do not have a DeWALT miter saw, you must use 19 mm (3/4") plywood to mount your miter saw.

The plywood must be a minimum of 101.6 mm (4") wider than the largest width of the miter saw base. The plywood should be at least as deep as the smallest depth of the miter saw base or a minimum of 406.4 mm (16") if miter saw base is smaller. Ensure the plywood is square.



1. Once the Plywood size has been determined, drill 9.5 mm (3/8") holes 25.5 mm (1") from the front corners of plywood, 355 mm (15") apart and 25.5 mm (1") from the sides.
2. Place DW7231 mounting brackets on the stand:

- a. Grasp and squeeze release levers (G).
  - b. Engage the concave front lip of the mounting bracket with rounded front edge of beam. One of the mounting brackets must be engaged in the locator clip (I) to prohibit lateral movement of the saw during use.
3. When the front edge of beam and locator clip are engaged, a slight downward pivot will allow secure engagement of the release levers to the back of the beam. Follow same procedure with second mounting bracket at the appropriate position on the beam for the size of the plywood.
  4. Place plywood onto mounting brackets and align drilled holes with slots in mounting brackets. Refer to **DW7231 Hardware Selection Chart** and use either Method 1 or 2 to secure plywood to mounting brackets.
  5. Use 13 mm (1/2") wrench to tighten hardware.
  6. The miter saw should be mounted to plywood using holes in the miter saw base. The hardware size will be determined by the holes in the miter saw base. Hardware should be 31.8 mm (1-1/4") longer than the maximum height of the miter saw base at each mounting location.

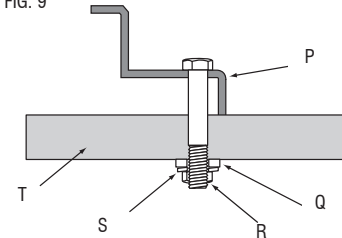
- a. Transfer location of mounting holes from miter saw base to plywood.
- b. Drill holes accordingly to the size of the hardware chosen. **NOTE:** Hardware must be purchased to mount miter saw to plywood. All purchased hardware should be a minimum of Grade 5 or Class 8.8.

- c. Secure miter saw to plywood as shown in Figure 9. Saw base (P), 19 mm (3/4") plywood (T), flat washer (Q), lock washer (S) and nut (R).

**NOTE:** Ensure a flat washer (Q) is used between plywood (T) and lock washer (S).

- d. Tighten all hardware.

FIG. 9



### Carry Strap

If you purchase the carry strap accessory for DeWALT stands, use the square hole in the metal end to mount the accessory.

### **Locking Locator Clip (Fig. 1, 7)**

The locking locator clip (l) keeps the saw from sliding left or right during cutting operations. To move the clip, remove saw/bracket assembly, loosen the screw in the center of the clip, slide it to the desired position and tighten the screw. You can then remount the saw/bracket in the new location.

### **Removing the Saw**

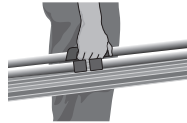
Once the miter saw is fastened to the brackets, it can be removed by grasping the release levers, pulling up slightly to clear the beam and can be set down on the non marring feet for transportation or cleaning.

### **Carry Handle (Fig. 10)**

A handle has been supplied to transport the miter saw stand to and from the work site.

**⚠ WARNING:** To reduce the risk of personal injury, **DO NOT** attempt to store or carry the stand with the saw attached. Loss of control may result.

FIG. 10



## **MAINTENANCE**

### **Repairs**

To assure product SAFETY and RELIABILITY, repairs, maintenance and adjustment (including brush inspection and replacement) should be performed by certified service centers or other qualified service organizations, always using identical replacement parts.

## **ACCESSORIES**

**⚠ WARNING:** Since accessories, other than those offered by DeWALT, have not been tested with this product, use of such accessories with this tool could be hazardous. To reduce the risk of injury, do not create unstable conditions and use only with DeWALT miter saw stands.

Recommended accessories for use with your tool, like the DE7027-XJ roller work support, are available at extra cost from your local service center. If you need any assistance in locating any accessory, please contact Stanley Black & Decker, 82 Taryn Drive, Epping, VIC 3076 Australia or call 1800 444 224 or (NZ). 0800 339 258.

Stanley Black & Decker  
82 Taryn Drive, Epping, VIC 3076 Australia • 1800 444 224 (Aust) or 0800 339 258 (NZ)  
[www.dewalt.com.au](http://www.dewalt.com.au) • [www.dewalt.com.nz](http://www.dewalt.com.nz)

(JUL15) Part No. N447235 DWX723-XE Copyright © 2011, 2015 DeWALT

The following are trademarks for one or more DeWALT power tools: the yellow and black color scheme; the “D” shaped air intake grill; the array of pyramids on the handgrip; the kit box configuration; and the array of lozenge-shaped humps on the surface of the tool.