

**DEWALT®**

**[www.DEWALT.com](http://www.DEWALT.com)**

**DW735**

---

|                                                       |    |
|-------------------------------------------------------|----|
| English ( <b>original instructions</b> )              | 6  |
| Русский ( <i>перевод с оригинала инструкции</i> )     | 15 |
| Türkçe ( <i>orijinal talimatlardan çevrilmiştir</i> ) | 27 |
| Українська ( <i>оригінальні інструкції</i> )          | 38 |

---

Fig. A

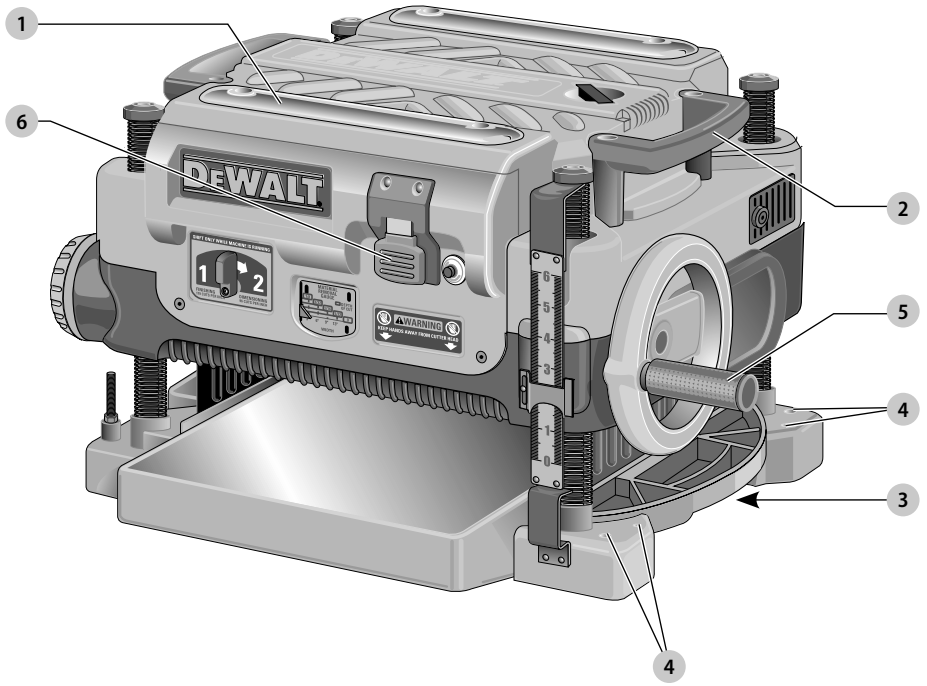


Fig. B

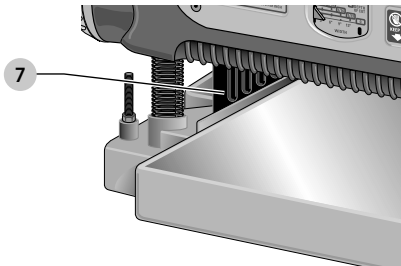


Fig. C

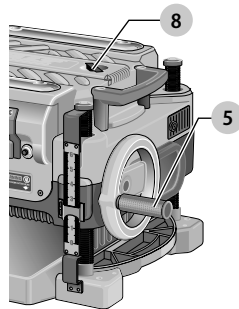


Fig. D

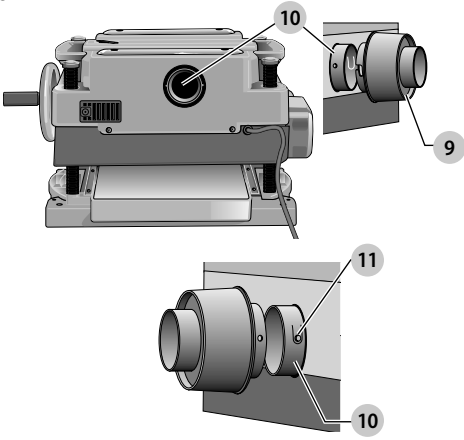


Fig. E

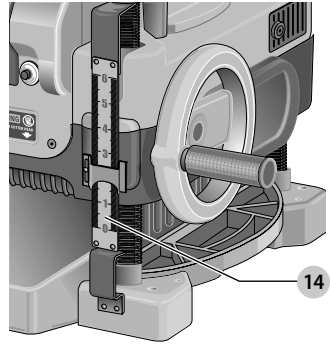


Fig. F

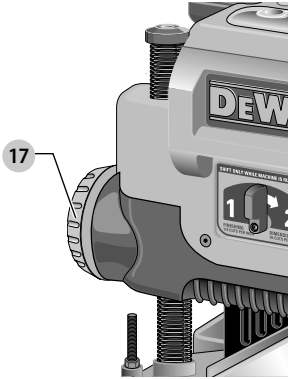


Fig. G

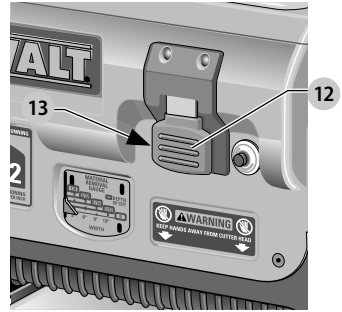


Fig. H

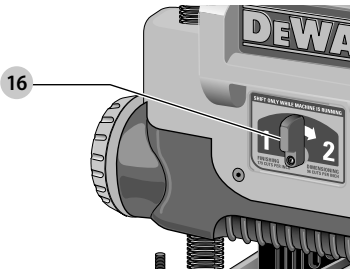


Fig. I

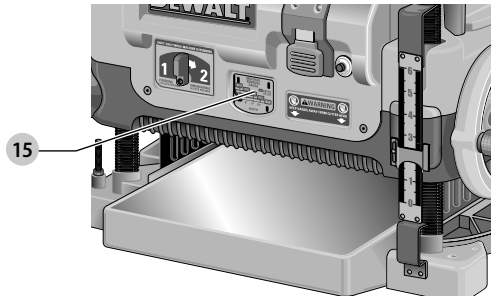


Fig. J



Fig. K

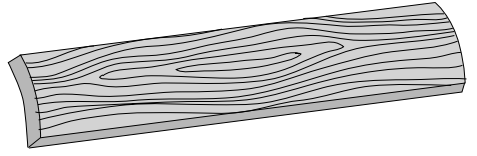


Fig. L

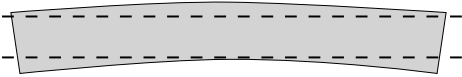


Fig. M

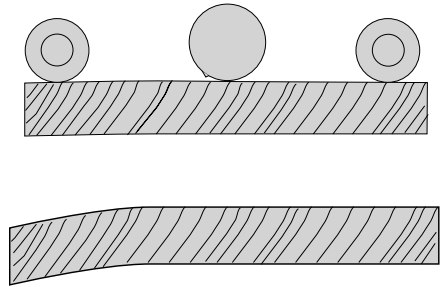


Fig. N

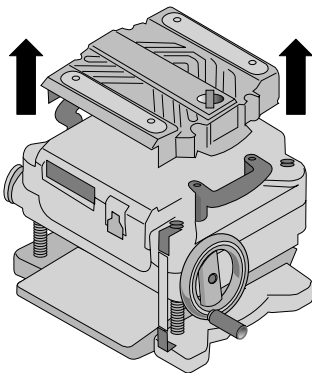


Fig. O

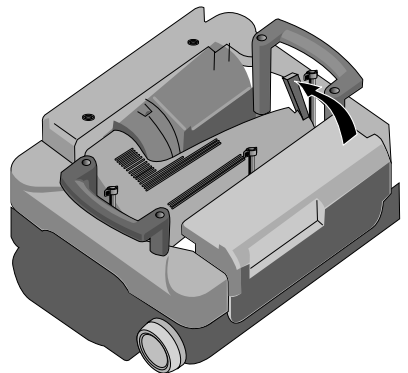


Fig. P

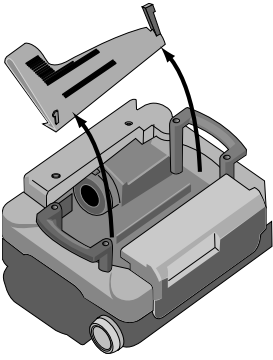


Fig. Q

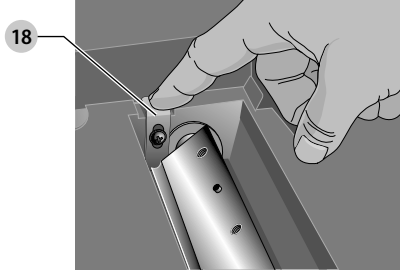


Fig. R

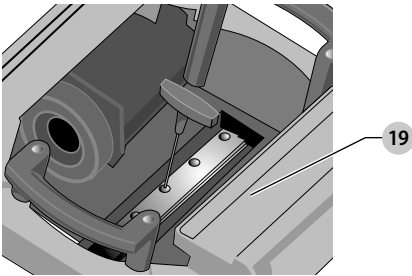


Fig. S

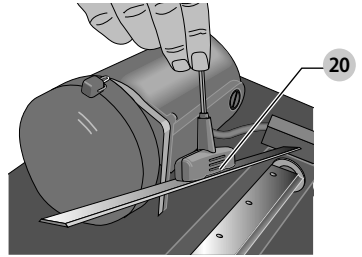


Fig. T

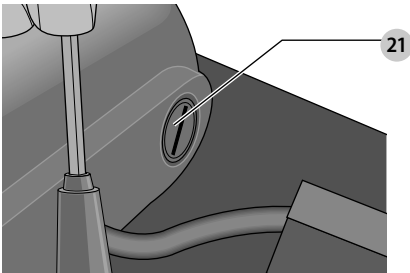


Fig. U

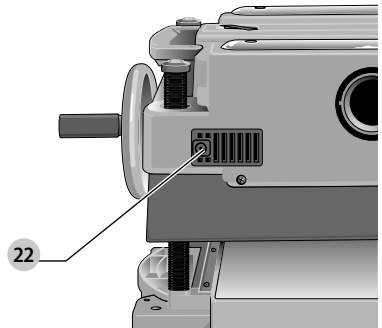


Fig. V

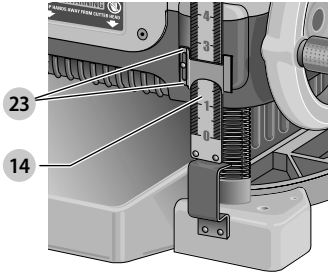


Fig. W

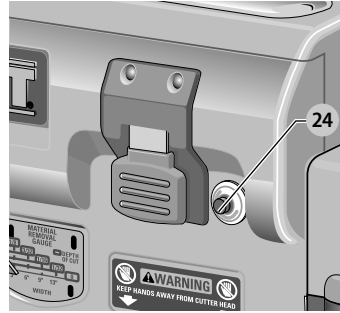


Fig. X

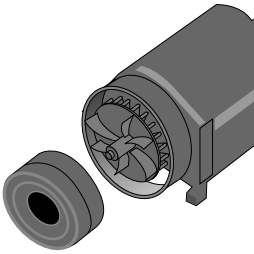


Fig. Y

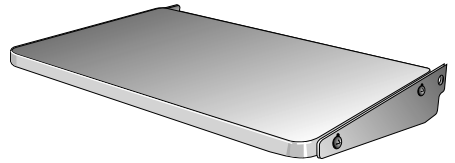


Fig. Z

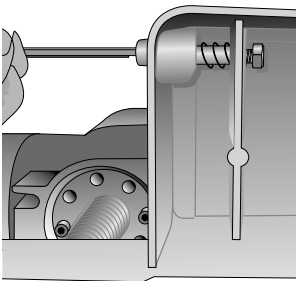


Fig. AA

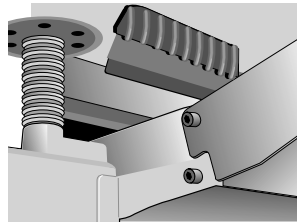
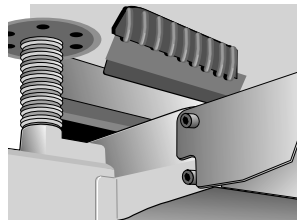


Fig. BB



# 325 MM HEAVY-DUTY PORTABLE THICKNESS PLANNER DW735

## Congratulations!

You have chosen a DEWALT tool. Years of experience, thorough product development and innovation make DEWALT one of the most reliable partners for professional power tool users.

## Technical Data

|                                                           |                    | DW735                |
|-----------------------------------------------------------|--------------------|----------------------|
| Voltage                                                   | V <sub>AC</sub>    | 230–240              |
| Power input                                               | W                  | 1800                 |
| No-load/rated speed                                       | min <sup>-1</sup>  | 10000                |
| Operating / Resting time                                  | min                | 1/3                  |
| Feed Speed                                                | m/min<br>(ft./min) | 4.3 (14) or 7.0 (26) |
| Cutting height (max.)                                     | mm (")             | 152 (6)              |
| Cutting width (max.)                                      | mm (")             | 330 (13)             |
| Max. cutting depth<br>for max. board width of 152 mm (6") | mm (")             | 3 (1/8)              |
| Weight                                                    | kg                 | 42.6                 |
| L <sub>PA</sub> (emission sound pressure level)           | dB(A)              | 95                   |
| K <sub>PA</sub> (sound pressure uncertainty)              | dB(A)              | 3.3                  |
| L <sub>WA</sub> (sound power level)                       | dB(A)              | 108                  |
| K <sub>WA</sub> (sound power uncertainty)                 | dB(A)              | 3.7                  |

The vibration and/or noise emission level given in this information sheet has been measured in accordance with a standardised test given in EN60745 and may be used to compare one tool with another. It may be used for a preliminary assessment of exposure.



**WARNING:** The declared vibration and/or noise emission level represents the main applications of the tool. However if the tool is used for different applications, with different accessories or poorly maintained, the vibration and/or noise emission may differ. This may significantly increase the exposure level over the total working period.

An estimation of the level of exposure to vibration and/or noise should also take into account the times when the tool is switched off or when it is running but not actually doing the job. This may significantly reduce the exposure level over the total working period.

Identify additional safety measures to protect the operator from the effects of vibration and/or noise such as: maintain the tool and the accessories, keep the hands warm (relevant for vibration), organisation of work patterns.



**WARNING:** To reduce the risk of injury, read the instruction manual.

## Definitions: Safety Guidelines

The definitions below describe the level of severity for each signal word. Please read the manual and pay attention to these symbols.



**DANGER:** Indicates an imminently hazardous situation which, if not avoided, **will** result in **death or serious injury**.



**WARNING:** Indicates a potentially hazardous situation which, if not avoided, **could** result in **death or serious injury**.



**CAUTION:** Indicates a potentially hazardous situation which, if not avoided, **may** result in **minor or moderate injury**.

**NOTICE:** Indicates a practice **not related to personal injury** which, if not avoided, **may** result in **property damage**.



Denotes risk of electric shock.



Denotes risk of fire.

## GENERAL POWER TOOL SAFETY WARNINGS



**WARNING:** Read all safety warnings, instructions, illustrations and specifications provided with this power tool. Failure to follow all instructions listed below may result in electric shock, fire and/or serious injury.

### SAVE ALL WARNINGS AND INSTRUCTIONS FOR FUTURE REFERENCE.

The term “power tool” in the warnings refers to your mains-operated (corded) power tool or battery-operated (cordless) power tool.

#### 1) Work Area Safety

- Keep work area clean and well lit.** Cluttered or dark areas invite accidents.
- Do not operate power tools in explosive atmospheres, such as in the presence of flammable liquids, gases or dust.** Power tools create sparks which may ignite the dust or fumes.
- Keep children and bystanders away while operating a power tool.** Distractions can cause you to lose control.

#### 2) Electrical Safety

- Power tool plugs must match the outlet. Never modify the plug in any way. Do not use any adapter plugs with earthed (grounded) power tools.** Unmodified plugs and matching outlets will reduce risk of electric shock.
- Avoid body contact with earthed or grounded surfaces, such as pipes, radiators, ranges and refrigerators.** There is an increased risk of electric shock if your body is earthed or grounded.



- c) **Do not expose power tools to rain or wet conditions.** Water entering a power tool will increase the risk of electric shock.
- d) **Do not abuse the cord. Never use the cord for carrying, pulling or unplugging the power tool. Keep cord away from heat, oil, sharp edges or moving parts.** Damaged or entangled cords increase the risk of electric shock.
- e) **When operating a power tool outdoors, use an extension cord suitable for outdoor use.** Use of a cord suitable for outdoor use reduces the risk of electric shock.
- f) **If operating a power tool in a damp location is unavoidable, use a residual current device (RCD) protected supply.** Use of an RCD reduces the risk of electric shock.

### 3) Personal Safety

- a) **Stay alert, watch what you are doing and use common sense when operating a power tool. Do not use a power tool while you are tired or under the influence of drugs, alcohol or medication.** A moment of inattention while operating power tools may result in serious personal injury.
- b) **Use personal protective equipment. Always wear eye protection.** Protective equipment such as a dust mask, non-skid safety shoes, hard hat or hearing protection used for appropriate conditions will reduce personal injuries.
- c) **Prevent unintentional starting. Ensure the switch is in the off-position before connecting to power source and/or battery pack, picking up or carrying the tool.** Carrying power tools with your finger on the switch or energising power tools that have the switch on invites accidents.
- d) **Remove any adjusting key or wrench before turning the power tool on.** A wrench or a key left attached to a rotating part of the power tool may result in personal injury.
- e) **Do not overreach. Keep proper footing and balance at all times.** This enables better control of the power tool in unexpected situations.
- f) **Dress properly. Do not wear loose clothing or jewellery. Keep your hair and clothing away from moving parts.** Loose clothes, jewellery or long hair can be caught in moving parts.
- g) **If devices are provided for the connection of dust extraction and collection facilities, ensure these are connected and properly used.** Use of dust collection can reduce dust-related hazards.
- h) **Do not let familiarity gained from frequent use of tools allow you to become complacent and ignore tool safety principles.** A careless action can cause severe injury within a fraction of a second.

### 4) Power Tool Use and Care

- a) **Do not force the power tool. Use the correct power tool for your application.** The correct power tool will do the job better and safer at the rate for which it was designed.
- b) **Do not use the power tool if the switch does not turn it on and off.** Any power tool that cannot be controlled with the switch is dangerous and must be repaired.
  - c) **Disconnect the plug from the power source and/or remove the battery pack, if detachable, from the power tool before making any adjustments, changing accessories, or storing power tools.** Such preventive safety measures reduce the risk of starting the power tool accidentally.
  - d) **Store idle power tools out of the reach of children and do not allow persons unfamiliar with the power tool or these instructions to operate the power tool.** Power tools are dangerous in the hands of untrained users.
  - e) **Maintain power tools and accessories. Check for misalignment or binding of moving parts, breakage of parts and any other condition that may affect the power tool's operation. If damaged, have the power tool repaired before use.** Many accidents are caused by poorly maintained power tools.
  - f) **Keep cutting tools sharp and clean.** Properly maintained cutting tools with sharp cutting edges are less likely to bind and are easier to control.
  - g) **Use the power tool, accessories and tool bits etc. in accordance with these instructions, taking into account the working conditions and the work to be performed.** Use of the power tool for operations different from those intended could result in a hazardous situation.
  - h) **Keep handles and grasping surfaces dry, clean and free from oil and grease.** Slippery handles and grasping surfaces do not allow for safe handling and control of the tool in unexpected situations.

### 5) Service

- a) **Have your power tool serviced by a qualified repair person using only identical replacement parts.** This will ensure that the safety of the power tool is maintained.

### Additional Specific Safety Rules for Planers

- **To reduce the risk of injury, user must read and understand instruction manual before operating planer.**
- **Always wear eye protection and dust mask if necessary.**
- **Keep hands away from the underside of the cutter head carriage.**
- **Never clear clogs, make cutter knife replacement, or any other repairs/adjustments with unit plugged in.**
- **Make certain that the switch is in the OFF position before connecting plug to a power source.**
- **To prevent unexpected "turn on" of the tool after power is disrupted, turn the switch OFF before restoring power.**
- **Be sure that the cutter knives are mounted as described in the instruction manual and check that all bolts are firmly tightened before connecting unit to power source.**
- **To avoid injury, never rotate the cutter block directly with your hands.**
- **Keep guards in place and in good working order.**
- **Stay alert – never operate the unit when tired or under the influence of drugs, alcohol, or medication.**

- **Do not use in dangerous environments.** Do not use near flammable substances, in damp or wet locations, or expose to rain.
- **Never plane material which is shorter than 304.8 mm (12").**
- **Exhaust chute: remove shavings with brush or vacuum after power has been shut off and cutter head has stopped rotating.**
- **Always locate planer with proper clearance on the outfeed side of the unit to prevent pinching or binding of the workpiece against any obstacle.**
- **Clean out your tool often, especially after heavy use.** Dust and grit containing metal particles often accumulate on interior surfaces and could create a risk of serious injury, electric shock or electrocution.
- **ALWAYS WEAR SAFETY GLASSES.**



**WARNING:** For your own safety, it is recommended that two people carry this machine or serious injury could result.

- **Air vents often cover moving parts and should be avoided.** Loose clothes, jewellery or long hair can be caught in moving parts.



**WARNING:** We recommend the use of a residual current device with a residual current rating of 30mA or less.



**WARNING:** Some dust created by power sanding, sawing, grinding, drilling, and other construction activities contains chemicals known to cause cancer, birth defects or other reproductive harm. Some examples of these chemicals are:

- lead from lead-based paints,
- crystalline silica from bricks and cement and other masonry products, and
- arsenic and chromium from chemically-treated lumber.

Your risk from these exposures varies, depending on how often you do this type of work. To reduce your exposure to these chemicals: work in a well ventilated area, and work with approved safety equipment, such as those dust masks that are specially designed to filter out microscopic particles.

- Avoid prolonged contact with dust from power sanding, sawing, grinding, drilling, and other construction activities. Wear protective clothing and wash exposed areas with soap and water. Allowing dust to get into your mouth, eyes, or lay on the skin may promote absorption of harmful chemicals.

## Electrical Safety

The electric motor has been designed for one voltage only. Always check that the power supply corresponds to the voltage on the rating plate.



Your DeWALT tool is double insulated in accordance with EN60745; therefore no earth wire is required.

If the supply cord is damaged, it must be replaced only by DeWALT or an authorised service organisation.

## Mains Plug Replacement (U.K. & Ireland Only)

If a new mains plug needs to be fitted:

- Safely dispose of the old plug.
- Connect the brown lead to the live terminal in the plug.
- Connect the blue lead to the neutral terminal.



**WARNING:** No connection is to be made to the earth terminal.

Follow the fitting instructions supplied with good quality plugs. Recommended fuse: 13 A.

## Using an Extension Cable

If an extension cable is required, use an approved 3-core extension cable suitable for the power input of this tool (see **Technical Data**). The minimum conductor size is 1.5 mm<sup>2</sup>; the maximum length is 30 m.

When using a cable reel, always unwind the cable completely.

## Package Contents

The package contains:

- 1 Planer
- 1 Round dust port
- 1 T-wrench (located in the top cover of the unit)
- 1 Depth adjustment crank handle
- 1 Hex screw for crank handle
- 1 Instruction manual
- Check for damage to the tool, parts or accessories which may have occurred during transport.
- Take the time to thoroughly read and understand this manual prior to operation.

## Description (Fig. A)



**WARNING:** Never modify the power tool or any part of it. Damage or personal injury could result.

- 1 Planer
- 2 Side carrying handles
- 3 Base handles
- 4 Bench mounting holes
- 5 Crank handle
- 6 On/off switch

## Intended Use

This planer is designed for professional wood working.

**DO NOT** use under wet conditions or in the presence of flammable liquids or gases.

This planer is a professional power tool.


**DO NOT** let children come into contact with the tool.


Supervision is required when inexperienced operators use this tool.

- **Young children and the infirm.** This appliance is not intended for use by young children or infirm persons without supervision.
- This product is not intended for use by persons (including children) suffering from diminished physical, sensory or


mental abilities; lack of experience, knowledge or skills unless they are supervised by a person responsible for their safety. Children should never be left alone with this product.

## ASSEMBLY AND ADJUSTMENTS

 **WARNING:** To reduce the risk of serious personal injury, turn tool off and disconnect tool from power source before making any adjustments or removing/installing attachments or accessories. An accidental start-up can cause injury.

 **WARNING:** Do not remove guards (7, Fig. B). Serious injury could result.

### Transporting the Planer (Fig. A)

 **WARNING:** For your own safety, it is recommended that two people carry this machine or serious injury could result.


When moving your planer, carry it either by the side carrying handles 2 or by the handles 3 at the base of the planer.

### Bench Mounting (Fig. A)

To facilitate bench mounting, two different sized holes 4 are provided on the four corners of your planer. If mounting the planer with bolts, use the larger holes. If mounting the planer with nails or screws, use the smaller holes. It is not necessary to use both sets of holes.

Always mount your planer firmly to prevent movement. To enhance the tool's portability, it can be mounted to a piece of 12.7 mm or thicker plywood which can then be clamped to your work support or moved to other job sites and reclamped.

**NOTE:** If you elect to mount your planer onto a piece of plywood, make sure that the mounting screws don't protrude from the bottom of the wood. The plywood must sit flush on the work support.

 **CAUTION:** The mounting surface should not be warped or otherwise uneven.


### To Attach the Depth Adjustment Crank Handle (Fig. C)


1. Remove the screw located in the crank handle shaft.
2. Insert the crank handle 5 over the shaft.
3. Secure in place with the screw and T-wrench 8 provided.

### Dust Ejection Ports (Fig. D)

Your planer comes with a dust ejection port. The round port 9 as shown in Figure. F is for use with a 100 mm dust collector hose.

#### To Set Up Dust Ejection (Fig. D)

 **WARNING:** Do not operate your planer without the dust ejection port locked into place. Do not insert anything into the dust ejection chute unless the planer is unplugged and you are clearing a clog or obstruction in the unit. Do not get your face or eyes near the dust ejection port when the planer is in operation. Serious injury could result.

 **WARNING:** Chips are ejected at significant velocity. Keep hands and face clear of dust ejection port.

1. Select the port 9.
2. Depress the lock button 11 on the chip ejection chute 10.
3. Slide the notches in the dust port over the pins on the chip ejection chute.
4. Rotate the port until the button engages the dust ejection chute and locks in place.

#### To Remove the Dust Ejection Port (Fig. D)

1. Use the T-wrench to depress the lock button 11 on the dust chute.
2. Twist the port until the pins are disengaged from the notches on the port.
3. Pull the dust ejection port off of the dust chute.

### Depth Adjustment (Fig. E)

#### Depth Adjustment Scale (Fig. E)

The depth adjustment scale 14, located on the right front of your planer, indicates the finished thickness of your workpiece. One rotation of the depth adjustment crank is equal to 1.6 mm, half rotation is equal to 0.8 mm, etc.

#### Depth Adjustment Crank

Turning the crank clockwise lowers the cutterhead. Turning the crank counterclockwise raises the cutterhead.

### Turret Stop (Fig. F)

Your planer is equipped with a turret stop 17 for planing multiple boards to the same pre-set depth. Stops are set at 3 mm, 6.5 mm, 12.7 mm, 31.9 mm, 25.5 mm, and 32 mm.


#### To Set the Minimum Depth to Which the Carriage can Travel with the Turret Stop


1. Be sure the carriage is set above 32 mm before trying to set the turret stop.
2. Turn the dial on the front left of the planer until the desired thickness setting aligns with the red indicator, then lower the carriage.
3. Plane the workpiece at desired increments until the correct final thickness is achieved.

**NOTE:** Do not use force to crank the carriage below the level that the turret stop indicates. Permanent damage to the height adjustment system on your planer will result.

## OPERATION

### Instructions for Use

 **WARNING:** Always observe the safety instructions and applicable regulations.

 **WARNING:** To reduce the risk of serious personal injury, turn tool off and disconnect tool from power source before making any adjustments or removing/installing attachments or accessories. An accidental start-up can cause injury.

## On/Off Switch (Fig. G)

To turn the planer on, lift the switch **12** up.

The planer locks on automatically. To turn the tool off, press the switch down. A hole **13** is provided under the switch for insertion of a padlock to lock off the planer.

## Speed Selection (Fig. H)

**NOTE: Only switch speeds when the planer is running.**

Your planer has the ability to feed material at two different speeds. The two-speed feature **16** was designed to improve efficiency when planing and to provide the best possible surface finish to a variety of materials.

To remove material thickness more quickly, set the unit at speed "2". This setting delivers 96 cuts per inch to the material.

For finishing, set the unit to speed "1". Speed "1" is ideal for ensuring the finest finish on the last pass before your final thickness is achieved.

**NOTE:** When planing particularly hard or figured species of wood, speed "1" is recommended. The slower feed rate will reduce knife wear and tear-out by delivering 179 cuts per inch to the material.

## Material Removal Gauge (Fig. I)

Your planer is equipped with a material removal gauge **15**. It is used to indicate the amount of wood that will be removed in one pass with the carriage set at its current height.

### To Use the Material Removal Gauge

- Slide approximately 75 mm of your material under the middle of the carriage.
- Be sure the wood is lying flat against the base of the planer. If the material is inserted at an angle, the reading may be inaccurate.
- Crank the carriage down on the material until the material removal bar engages the wood. You will see the red arrow begin to move up the scale indicating the amount of material to be removed with the carriage at that height.
- Adjust the carriage height until the desired depth of cut appears on the gauge.
- Pull the material out from under the carriage.
- Turn the unit on and feed your material into the cutterhead.

**NOTE:** Do not exceed the recommended depth of cut for various widths of material recommended on the material removal gauge.



**WARNING: DO NOT switch the unit on with the material positioned under the carriage. Serious injury could result.**

## Planing Basics

### Proper Planing Technique



**WARNING: DO NOT turn the unit on with the material already inserted under the carriage. Wait until the rollers and cutterhead are up to full speed before feeding your material into the machine.**

### To Plane Your Material

- Lower the carriage to the desired height for your first pass.
- Turn the unit on and feed the material into the feed rollers.
- Examine the finished cut and adjust the carriage to the appropriate height for your next pass.

**NOTE:** Flip the board back and forth between each pass.

See the **Troubleshooting Guide**, for additional information.

For best results, plane both sides of the workpiece to reach a desired thickness. For example, if you need to remove 3 mm from your workpiece, remove 1.6 mm from each side. This not only allows the workpiece to dry with an even moisture content, it also produces finer cuts.



**WARNING:** Plane only wood that is free from foreign objects, with no loose knots and as few tight knots as possible. Do not plane wood that is severely warped, twisted, knotted or bowed.



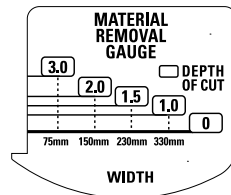
**WARNING:** Do not place your body between the rear of the planer and a stationary object while material is feeding. Serious injury could result.

### Minimum/Maximum Width/Height/ Depth

**NOTE:** Always plane in the direction of the grain. Support the workpiece adequately at all times. Planing material less than 19 mm wide is not recommended. If you must plane narrow material, group several pieces together and plane them as one wide workpiece whenever possible.

The maximum depth of cut your planer can take in one pass is 3 mm [on material less than 152 mm wide]. Never attempt to modify your planer to take a deeper cut. Follow the recommended depth/width of cut guidelines shown in Table A for best results.

TABLE A



## Snipe

Snipe is a depression made when an unsupported end of your material drops toward the floor, causing the opposite end to lift up into the cutterhead.

### To Avoid Snipe

Feed the workpiece into the planer so it is level and remains flat against the base at all times.

Keep the workpiece level throughout planing operation by receiving or "catching" it from the rear of the planer.

If you are planing material that is especially long, the use of additional material support is recommended.

## Twisted, Cupped and Bowed Wood (Fig. J)

If both sides of your material are very rough or if the material is cupped, bowed or twisted, your planer may not produce the desired result. Ideally, you should have at least one level face/surface on your material before you plane. Your thickness planer will work best with material that has been run through a jointer to produce one flat surface. If you do not have at least one flat surface or a jointer, see the following recommendations.

### To Plane Twisted Wood (Fig. K)



**WARNING:** Twisted wood may jam your thickness planer. If a jam occurs, turn the power off, disconnect the power supply and raise the carriage to release the material from the cutterhead.

If your material is only slightly twisted:

Plane both sides alternating from one to the other until the desired thickness is reached.

### To Plane Cupped Wood (Fig. L)

To obtain the best possible results with cupped wood:

Rip the material down the middle and plane it as two separate pieces.

Ripping the material reduces the severity of the cup and allows the machine to deliver better results. Understand that you will have to remove more material on cupped wood to achieve the desired thickness than you would on a normal board.

### If Ripping the Material is Not an Option

Plane one side of the material until flat, then plane the opposite side until it is also flat.

**NOTE:** Do not flip the board back and forth between each pass if wood is cupped.

### To Plane Bowed Wood (Fig. M)

The feed rollers and cutterhead in your planer will push the bow out of the material as it feeds. However, when the material exits the planer, the pressure of the rollers and cutterhead will release allowing the wood to spring back into a bowed formation. To properly remove the bow, use a jointer. BOWED WOOD WILL BE FLATTENED BY FEED ROLLERS AND CUTTERHEAD BUT BOW WILL RETURN AFTER WOOD IS PLANED (Fig. M)

## MAINTENANCE

Your power tool has been designed to operate over a long period of time with a minimum of maintenance. Continuous satisfactory operation depends upon proper tool care and regular cleaning.



**WARNING:** To reduce the risk of serious personal injury, turn tool off and disconnect tool from power source before making any adjustments or removing/installing attachments or accessories. An accidental start-up can cause injury.

## Periodic Maintenance

1. Routinely check the tool for damage or broken parts.
2. Clean the top cover, dust shroud and all accessible areas of the unit of dust and wood debris that have collected in from planing.

3. Wipe off infeed and outfeed rollers.
4. Clean base table. Light waxing will help wood material pass through the planer.
5. Evaluate blade sharpness condition. Replace as necessary.
6. Gauge Calibration, check thickness gauge calibration and turret stop calibration.
7. Check brushes for wear and replace as necessary.

## Changing or Rotating the Planer Knives



**WARNING:** To reduce the risk of serious personal injury, disconnect the planer from the power source before attempting to change or access the knives. An accidental start-up can cause injury.

### To Change Planer Knives (Fig. N–S)

1. Use the T-wrench to remove the four screws in the top of the planer.
2. Lift the top off (Fig. N) and place it aside.
3. Remove the three wing nuts that seal the dust shroud over the cutterhead.
4. Rotate the dust shroud up so the round connection that locks onto the fan housing is in the open position (Fig. O).
5. Push the dust shroud to the left so it disengages from the fan housing.
6. Take the dust shroud out of the unit (Fig. P) and set it aside.
7. The cutterhead is now exposed. If the eight screws in the cutterhead clamp are not visible, use a piece of scrap wood to carefully rotate the cutterhead (Fig. Q) until the screws are accessible and the cutterhead lock lever **18** engages. This will prevent further rotation of the cutterhead as you change the knives.



**WARNING:** Keep your fingers away from the cutterhead at all times. Use the tool provided to handle the knives.

8. Use the T-wrench to remove the eight screws on the knife clamp and set them in the small screws bin **19** on the front panel of the planer (Fig. R).
9. Use the magnets on the top of the T-wrench to attract the knife clamp and lift it off of the cutterhead. One of the knives should now be exposed.
10. Use the magnet **20** on the top of the T-wrench (Fig. Q) to attract the knife. Avoid touching it with your fingers.

**NOTE:** Before installing the knife, ensure the cutterhead and knife are free of debris, clean if needed.

### If Only One Side of the Knife Is Worn

1. Rotate the knife around so that the sharp, unused edge hangs over the end of the cutterhead where it will cut the material. Be sure to set the oblong holes in the knife over the pins machined on the cutterhead.
2. Reset the knife clamp over the knife. Be sure to align the beveled edge on the clamp with the sharp, cutting edge of the knife. If these are not aligned correctly, the clamp will not secure the knife properly.
3. Install the screws into the clamp and tighten sufficiently. **NOTE:** Make sure all screws are tightened sufficiently.

## To Access the Other Two Knives

1. Depress the cutterhead lock lever **18** as shown in Figure Q.
2. Use the piece of scrap wood to carefully turn the cutterhead until it locks into place revealing another knife clamp.
3. Follow the same knife change procedure indicated above.
4. Repeat the procedure for the last dull knife.

## After Installing New Knives

1. Insert the round end of the dust shroud into the fan housing and rotate it down to lock it into place.
2. Place the three wing nuts back into the shroud.
3. Screw the top cover of the planer back onto the unit.

**NOTE:** The planer will not operate if the top cover is not placed correctly.

## Brush Change (Fig. T, U)

Your planer is equipped with brush caps **21** that are external to the motor. If your brushes need to be replaced, begin by acquiring a new set from a DeWALT service center or a dealer authorized to service DeWALT products. Use only identical DeWALT brushes.

### To Replace the Brushes on your Planer (Fig. T, U)

1. Use the T-wrench to remove the top cover and brush cover screen on the planer.
2. Use a flathead screwdriver to unscrew the brush cap located in the right, rear of the unit **22**.
3. Do the same for the brush cap located on the side of the motor, inside the planer cover.
4. Place the new brushes into the brush holders.
5. After installing the brushes, replace the top cover and brush cover screen.
6. Before using the planer, run the unit for 10 minutes to seat new brushes.

**NOTE:** If existing brushes do not need replacing, be sure to maintain the same orientation when you reinstall them.

## Calibrating the Depth Adjustment Scale (Fig. V)

The depth adjustment scale **14** on your planer is set at the factory. However, with extended use, the depth adjustment scale could show an incorrect measurement.

To check the depth adjustment scale, plane a piece of scrap wood, noting the measurement on the depth adjustment scale.

Measure the finished thickness of the workpiece. If the thickness of the workpiece does not match the reading on the depth adjustment scale, loosen the two screws **23** on the red indicator. Adjust the pointer up or down until its reading matches the finished thickness of the workpiece. Securely re-tighten the screws.

## Base Maintenance

Keep the table clean and free from oil, grease, and pitch. Treat the table with paste wax to help maintain its smooth finish.

## Circuit Breaker Reset Button (Fig. W)

Your planer is equipped with an 18 amp circuit breaker. If your planer becomes overloaded and stops operating, turn off the planer, let the unit sit for 2 minutes and press the reset button **24** before you resume working.



**WARNING:** To prevent the planer from starting unexpectedly if power is interrupted by a circuit breaker trip, make sure the switch is in the OFF position before restoring power.

**NOTE:** Circuit breaker overload is often the result of dull knives. Change your knives on a regular basis to avoid tripping your breaker. Check your knives before re-setting the circuit breaker and continuing to plane.

See the **Troubleshooting Guide** for additional information on circuit breaker trips.

## Replacing the Drive Belt

Drive belts are available at extra cost at DeWALT authorized service centers. Replacement of the drive belt should be performed by qualified service personnel.

## Chip Ejection Fan (Fig. N–P, X)

The chip ejection fan on your planer should be cleaned or cleared of debris periodically.



**WARNING:** Turn off and unplug the planer prior to accessing the chip ejection fan.

### To Access the Fan

1. Remove the top cover of the planer with the T-wrench.
2. Remove the dust shroud (Fig. N–P) and place it aside.
3. Remove the screws and clips around the fan housing.
4. Remove the fan housing and place it aside as shown. The fan will now be exposed for cleaning.

See the **Troubleshooting Guide** for additional information.



**WARNING:** Be sure to properly attach the fan housing and assemble the shroud and top cover correctly before using your planer again.



## Cleaning



**WARNING:** Blow dirt and dust out of the main housing with dry air as often as dirt is seen collecting in and around the air vents. Wear approved eye protection and approved dust mask when performing this procedure.



**WARNING:** Never use solvents or other harsh chemicals for cleaning the non-metallic parts of the tool. These chemicals may weaken the materials used in these parts. Use a cloth dampened only with water and mild soap. Never let any liquid get inside the tool; never immerse any part of the tool into a liquid.

## Optional Accessories



**WARNING:** Since accessories, other than those offered by DEWALT, have not been tested with this product, use of such accessories with this tool could be hazardous. To reduce the risk of injury, only DEWALT recommended accessories should be used with this product.

Consult your dealer for further information on the appropriate accessories.

Four accessories are available for the DW735 Thickness Planer.

- DW7350 Mobile Stand
- DW7351 Folding Tables
- DW7352 325 mm Knives
- DW7353 Chip Ejection Accessory

**NOTE:** Helical cutterheads have not been tested with this product and are not recommended for use.

## DW7351 Accessory Folding Tables (Fig. Y)



**WARNING:** For your own safety, read the tool instruction manual before attaching the tables. Failure to heed these warnings may result in personal injury and serious damage to the planer and the accessory. When servicing this tool, use only identical replacement parts. Have damaged cords replaced by an authorized service center.

Your DW7351 folding table box should include:

- |                  |                 |
|------------------|-----------------|
| 2 folding tables | 4 nuts          |
| 4 cap screws     | 4 stepped bolts |
| 4 springs        |                 |

## Set-up and Installation of Base Hardware (Fig. Z–BB)

1. Place planer on a secure table or workbench. Position planer so the front 75–100 mm of the base can be accessed from the underside.
2. Secure the rear of the planer to the table/bench with nails or screws to prevent it from tilting or falling from the table.



**WARNING:** The planer could tilt or fall from the table if it is not properly secured opposite the end where the folding table is being installed. Serious injury may result.

3. Place the spring onto the small end of the stepped bolt.
4. Insert the end of the bolt with the spring around it into the larger hole on the side of the base.
5. Push the stepped bolt all the way through the hole in the first rib on the underside of the planer. The spring should engage the rib slightly and the threads should show on the right side of the rib.
6. On the underside of the planer, use a wrench to hold the nut in place while turning the stepped bolt into it. The 4 mm hex wrench can be used to turn the stepped bolt until it is fully secured (Fig. Z).
7. Install the smaller screw into the lower threaded hole on the side of the base. Use the 4 mm hex wrench to tighten that fastener securely (Fig. AA).

8. Depress the top pin until it is flush with the base and slide the top hole of the table over the pin and release the pin so they lock together (Fig. AA, BB).

9. To attach the table to the rear of the planer, install the bolts and spring following the above procedure.

Your tables should now fold up and down on the top screw and rest on the bottom screw while in position for planing.

**NOTE:** To transport the planer with the tables, fold them up and carry the unit as recommended by the planer manual.



**WARNING:** For your own safety, it is recommended that two people carry this machine or serious injury could result.

## To Remove the Tables

1. Depress the spring-loaded bolts on the base and slide each end of the table toward you so they disengage the holes in the tables. You may want to use the T-wrench from your planer to push the bolts flush with the base to easily remove the tables.
2. Leave the hardware (stepped bolts and small cap screw) in the base until you need to re-attach the tables.

## Protecting the Environment



Separate collection. Products marked with this symbol must not be disposed of with normal household waste.

Products contain materials that can be recovered or recycled reducing the demand for raw materials.

Please recycle electrical products according to local provisions. Further information is available at [www.2helpU.com](http://www.2helpU.com).

## Troubleshooting Guide

### If the unit does not run, check to see:

- if the unit is plugged in.
- if the dust shroud is properly in place.
- if the top cover is properly in place.
- if the circuit breaker needs to be reset.

### If the material does not feed properly, check for:

- excess clogging in the dust shroud.
- excess oil/debris from feed rollers.
- excessively twisted, cupped or bowed material.
- a broken drive belt.

### If chips do not eject from the rear of the unit, check to see:

- if the dust shroud is properly in place.
- if the dust shroud and fan are clogged or obstructed.

### If the circuit breaker trips:

- check for dull knives. Dull knives could cause motor overloading.
- reduce depth of cut. An overly aggressive cut could cause motor overloading.
- drop feed rate to 4.3 m/min (14 ft/min). A reduction in feed rate will reduce the load on the motor and prevent breaker trips.

**If the branch (house/shop) circuit breaker trips repeatedly:**

- unplug or turn off other devices sharing the circuit with the planer OR use the planer on another branch circuit by itself.
- check for dull knives. Dull knives could cause motor overloading.
- reduce depth of cut. An overly aggressive cut could cause motor overloading.
- drop feed rate to 4.3 m/min (14 ft/min). A reduction in feed rate will reduce the load on the motor and prevent breaker trips.

**NOTE:** Even under normal loading conditions, other electrical loads on the same branch circuit may cause the circuit breaker to trip.



# РЕЙСМУСОВЫЙ СТАНОК DW735

## Поздравляем!

Вы приобрели инструмент DeWALT. Многолетний опыт, тщательная разработка изделий и инновации делают компанию DeWALT одним из самых надёжных партнеров для пользователей профессионального электроинструмента.

## Технические характеристики

|                                                        |                          | DW735       |
|--------------------------------------------------------|--------------------------|-------------|
| Напряжение                                             | В <sub>перем. тока</sub> | 230-240     |
| Потребляемая мощность                                  | Вт                       | 1800        |
| Скорость без нагрузки/номинальная скорость             | мин <sup>-1</sup>        | 10000       |
| Рабочее время / Перерыв                                | мин.                     | 1/3         |
| Скорость подачи                                        | м/мин.                   | 4,3 или 7,0 |
| Высота строгания (макс.)                               | мм                       | 152 (6)     |
| Ширина строгания (макс.)                               | мм                       | 330 (13)    |
| Макс. глубина строгания для досок шириной макс. 152 мм | мм                       | 3 (1/8)     |
| Вес                                                    | кг                       | 42,6        |
| $L_{PA}$ (уровень звукового давления)                  | дБ(А)                    | 95          |
| $K_{PA}$ (погрешность звукового давления)              | дБ(А)                    | 3,3         |
| $L_{WA}$ (уровень акустической мощности)               | дБ(А)                    | 108         |
| $K_{WA}$ (погрешность акустической мощности)           | дБ(А)                    | 3,7         |

Значение шумовой эмиссии и/или эмиссии вибрации, указанное в данном справочном листке, было получено в соответствии со стандартным тестом, приведенным в EN60745, и может использоваться для сравнения инструментов. Кроме того, оно может использоваться для предварительной оценки воздействия вибрации.

**⚠ ОСТОРОЖНО!** Заявленное значение шумовой эмиссии и/или эмиссии вибрации относится к основным областям применения инструмента. Однако, если инструмент используется для различных целей, с различными дополнительными принадлежностями или при ненадлежащем уходе, то уровень шума и/или вибрации может измениться. Это может привести к значительному увеличению уровня воздействия вибрации в течение всего рабочего периода.

При расчете приблизительного значения уровня воздействия шума и/или вибрации также необходимо учитывать время, когда инструмент выключен или то время, когда он работает на холостом ходу. Это может привести к значительному снижению уровня воздействия вибрации в течение всего рабочего периода.

Определите дополнительные меры техники безопасности для защиты оператора от воздействия шума и/или вибрации, а именно: поддержание инструмента и дополнительных принадлежностей в рабочем состоянии, создание комфортных условий работы (соответствующих вибрации), хорошая организация рабочего места.



**ВНИМАНИЕ:** Во избежание риска получения травм ознакомьтесь с инструкцией.

## Обозначения: правила техники безопасности

Ниже описывается уровень опасности, обозначаемый каждым из предупреждений. Прочитайте руководство и обратите внимание на данные символы.



**ОПАСНО:** Обозначает опасную ситуацию, которая неизбежно приведет к **серьезной травме или смертельному исходу**, в случае несоблюдения соответствующих мер безопасности.



**ВНИМАНИЕ:** Указывает на потенциально опасную ситуацию, которая, в случае несоблюдения соответствующих мер безопасности, **может привести к серьезной травме или смертельному исходу**.



**ПРЕДУПРЕЖДЕНИЕ:** Указывает на потенциально опасную ситуацию, которая, в случае несоблюдения соответствующих мер безопасности **может стать причиной травм средней или легкой степени тяжести**.

**ПОЯСНЕНИЕ:** Указывает на практики, использование которых не связано с получением травмы, но если ими пренебречь, **могут привести к порче имущества**.



Указывает на риск поражения электрическим током.



Указывает на риск возгорания.

## ОБЩИЕ ПРАВИЛА ТЕХНИКИ БЕЗОПАСНОСТИ ПРИ ИСПОЛЬЗОВАНИИ ЭЛЕКТРОИНСТРУМЕНТОВ



**ВНИМАНИЕ:** Прочитайте и просмотрите все предупреждения, инструкции, иллюстрации и спецификации по данному электроинструменту. Несоблюдение всех приведенных ниже инструкций может стать причиной поражения электрическим током, возгорания и/или тяжелой травмы.

**СОХРАНИТЕ ВСЕ ИНСТРУКЦИИ ДЛЯ ПОСЛЕДУЮЩЕГО ИСПОЛЬЗОВАНИЯ.**

Термин «электроинструмент» в предупреждениях относится к работающим от сети (проводным) электроинструментам или работающим от аккумуляторной батареи (беспроводным) электроинструментам.

### 1) Безопасность на рабочем месте

- a) **Следите за чистотой и хорошим освещением на рабочем месте.** Захламленное или плохо освещенное рабочее место может стать причиной несчастного случая.
- b) **Запрещается работать с электроинструментами во взрывоопасных местах, например, вблизи легковопламеняющихся жидкостей, газов и пыли.** Искры, которые появляются при работе электроинструментов могут привести к воспламенению пыли или паров.
- c) **Следите за тем, чтобы во время работы с электроинструментом в зоне работы не было посторонних и детей.** Отвлекаясь от работы вы можете потерять контроль над инструментом.

### 2) Электробезопасность

- a) **Штепсельная вилка электроинструмента должна соответствовать розетке. Никогда не меняйте вилку инструмента. Запрещается использовать переходники к вилкам для электроинструментов с заземлением.**  
Использование оригинальных штепсельных вилок, соответствующих типу сетевой розетки снижает риск поражения электрическим током.
- b) **Избегайте контакта с заземленными поверхностями, такими как трубы, радиаторы и холодильники.** Если вы будете заземлены, увеличивается риск поражения электрическим током.
- c) **Запрещается оставлять электроинструмент под дождем и в местах повышенной влажности.**  
При попадании воды в электроинструмент риск поражения электротоком возрастает.
- d) **Берегите кабель от повреждений. Никогда не используйте кабель для переноски инструмента, не тяните за него, пытаясь отключить инструмент от сети. Держите кабель подальше от источников тепла, масла, острых углов или движущихся предметов.**  
Поврежденный или запутанный кабель питания повышает риск поражения электрическим током.
- e) **При работе с электроинструментом на открытом воздухе используйте удлинитель, подходящий для использования на улице.**  
Использование кабеля питания, предназначенного для использования вне помещения, снижает риск поражения электрическим током.
- f) **Если использование электроинструмента в условиях повышенной влажности неизбежно, используйте устройства защитного**

**отключения (УЗО) для защиты сети.**

Использование УЗО сокращает риск поражения электрическим током.

### 3) Обеспечение индивидуальной безопасности

- a) **Будьте внимательны, смотрите, что делаете и не забывайте о здравом смысле при работе с электроинструментом. Запрещается работать с электроинструментом в состоянии усталости, наркотического, алкогольного опьянения или под воздействием лекарственных препаратов.** Невнимательность при работе с электроинструментом может привести к серьезным телесным повреждениям.
- b) **Используйте индивидуальные средства защиты. Всегда используйте защитные очки.** Средства защиты, такие как пылезащитная маска, обувь с нескользящей подошвой, каска и защитные наушники, используемые при работе, уменьшают риск получения травм.
- c) **Примите меры для предотвращения случайного включения. Перед тем как подключить электроинструмент к сети и/или аккумуляторной батарее, взять инструмент или перенести его на другое место, убедитесь в том, что выключатель находится в положении «Выкл.».** Если при переноске электроинструмента он подключен к сети, и при этом ваш палец находится на выключателе, это может стать причиной несчастных случаев.
- d) **Уберите все регулировочные или гаечные ключи перед включением электроинструмента.** Ключ, оставленный на вращающейся части электроинструмента, может привести к травме.
- e) **Не пытайтесь дотянуться до слишком удаленных поверхностей. Обувь должна быть удобной, чтобы вы всегда могли сохранять равновесие.** Это позволит лучше контролировать электроинструмент в непредвиденных ситуациях.
- f) **Одевайтесь соответствующим образом. Избегайте носить свободную одежду и ювелирные украшения. Следите за тем, чтобы волосы и одежда не попадали под движущиеся детали.** Возможно наматывание свободной одежды, ювелирных изделий и длинных волос на движущиеся детали.
- g) **При наличии устройств для подключения оборудования для удаления и сбора пыли необходимо обеспечить правильность их подключения и эксплуатации.** Использование устройства для пылеудаления сокращает риски, связанные с пылью.
- h) **Не позволяйте хорошему знанию от частого использования инструментов стать причиной самонадеянности и игнорирования правил техники безопасности.** Небрежное действие может повлечь серьезные травмы за долю секунды.

#### 4) Эксплуатация электроинструмента и уход за ним

- a) **Избегайте чрезмерной нагрузки электроинструмента. Используйте электроинструмент в соответствии с назначением.** Правильно подобранный электроинструмент выполнит работу более эффективно и безопасно при стандартной нагрузке.
- b) **Не пользуйтесь инструментом, если не работает выключатель.** Любой инструмент, управляемый выключением и включением которого невозможно, опасен, и его необходимо отремонтировать.
- c) **Перед выполнением любых настроек, сменой аксессуаров или прежде чем убрать инструмент на хранение, отключите его от сети и/или снимите с него аккумуляторную батарею, если ее можно снять.** Такие превентивные меры безопасности сокращают риск случайного включения электроинструмента.
- d) **Храните электроинструмент в недоступном для детей месте и не позволяйте работать с инструментом людям, не имеющим соответствующих навыков работы с такого рода инструментами.** Электроинструмент представляет опасность в руках неопытных пользователей.
- e) **Поддерживайте электроинструмент и принадлежность в исправном состоянии.** Проверьте, не нарушена ли центровка или не заклинены ли движущиеся детали, нет ли повреждений или иных неисправностей, которые могли бы повлиять на работу электроинструмента. В случае обнаружения повреждений, прежде чем приступить к эксплуатации электроинструмента, его нужно отремонтировать. Большинство несчастных случаев происходит из-за электроинструментов, которые не обслуживаются должным образом.
- f) **Содержите режущий инструмент в остро заточенном и чистом состоянии.** Вероятность заклинивания инструмента, за которым следят должным образом и который хорошо заточен, значительно меньше, а работать с ним легче.
- g) **Используйте электроинструменты, принадлежности и насадки в соответствии с данными инструкциями, принимая во внимание условия работы и характер выполняемой работы.** Использование электроинструмента для выполнения операций, для которых он не предназначен, может привести к созданию опасных ситуаций.
- h) **Все рукоятки и поверхности захватывания должны быть сухими и без следов смазки.** Скользкие рукоятки и поверхности захватывания не позволяют обеспечить безопасность

работы и управления инструментом в непредвиденных ситуациях.

#### 5) Обслуживание

- a) **Обслуживание электроинструмента должен проводить квалифицированный специалист с использованием только оригинальных запасных частей.** Это позволит обеспечить безопасность обслуживаемого электрифицированного инструмента.

#### Дополнительные правила техники безопасности для рейсмусовых станков

- Во избежание риска получения травмы, перед использованием рейсмусового станка прочтите руководство по эксплуатации и примите к сведению содержащуюся в нем информацию.
- Всегда надевайте защитные очки и при необходимости респиратор.
- Держите руки в стороне от нижней стороны режущей головки.
- Никогда не прочищайте засоры, не заменяйте строгальные ножи и не выполняйте ремонт/регулировку, если инструмент подключен к сети.
- Перед подключением к источнику питания убедитесь, что пусковой выключатель находится в положении ВЫКЛ.
- Чтобы предотвратить неожиданное включение инструмента после отключения питания, переведите пусковой выключатель в положение ВЫКЛ. перед восстановлением питания.
- Убедитесь, что ножи установлены, как описано в руководстве по эксплуатации, и проверьте, что все болты надежно затянуты перед подключением инструмента к источнику питания.
- Чтобы избежать травм, никогда не вращайте узел режущей головки руками.
- Следите, чтобы защитные кожухи всегда были установлены на месте и находились в хорошем рабочем состоянии.
- Внимание - запрещается работать с инструментом в состоянии усталости, наркотического, алкогольного опьянения или под воздействием лекарственных препаратов.
- Не использовать в опасной окружающей среде. Не используйте вблизи легковоспламеняющихся веществ, в сырых или влажных местах и не подвергайте воздействию дождя.
- Никогда не обрабатывайте материал короче 304,8 мм.
- Отверстие пылеотвода: удалите стружку с помощью щетки или пылесоса после отключения питания и остановки режущей головки.
- Всегда располагайте рейсмусовый станок с надлежащим зазором на стороне выхода, чтобы

**предотвратить заземление или столкновение заготовки с любым препятствием.**

- **Часто прочищайте инструмент, особенно после интенсивного использования.** На внутренних поверхностях часто оседают пыль и грязь, содержащие металлические частицы, что может создать опасность получения травм или поражения электрическим током.

- **ВСЕГДА НАДЕВАЙТЕ ЗАЩИТНЫЕ ОЧКИ.**

**ВНИМАНИЕ:** Для вашей собственной безопасности рекомендуется, чтобы два человека переносили данный станок, в противном случае существует риск получения тяжелой травмы.

- **Движущиеся части часто скрываются за вентиляционными прорезями; избегайте контакта с ними.** Возможно наматывание свободной одежды, ювелирных изделий и длинных волос на движущиеся детали.

**ВНИМАНИЕ:** Рекомендуется использовать устройство защитного отключения (УЗО) с током утечки до 30 мА.

**ВНИМАНИЕ:** Некоторая пыль, создаваемая в результате шлифования, распиловки, сверления и других строительных работ, содержит химические вещества, известные как канцерогенные, а также вызывающие врожденные дефекты или наносящие вред репродуктивным системам. Некоторые примеры этих химических веществ:

- свинец из свинцовых красок,
- кристаллический диоксид кремния из кирпичей, бетона и других элементов кладки, и
- мышьяк и хром из химически обработанной древесины.

Опасность контакта зависит от частоты выполнения подобных типов работ. Чтобы снизить риск контакта с данными химическими веществами: оператор и присутствующие должны работать в хорошо вентилируемом месте с использованием соответствующего защитного снаряжения, такого как респиратор, для фильтрации микроскопических частиц.

- **Избегайте длительного контакта с пылью при шлифовании, распиловке, сверлении и других строительных работах.** Носите защитную одежду и промывайте открытые участки тела водой с мылом. Попадание пыли в рот, глаза или на кожу может привести к поглощению вредных химических веществ.

## Электробезопасность

Электродвигатель рассчитан на работу только при одном напряжении сети. Необходимо обязательно убедиться в том, что напряжение источника питания соответствует указанному на шильдике устройства. Необходимо также убедиться в том, что напряжение работы зарядного устройства соответствует напряжению в сети.



Зарядное устройство DEWALT оснащено двойной изоляцией в соответствии с требованиями EN60745; поэтому провод заземления не требуется.

В случае повреждения кабеля питания его необходимо заменить специально подготовленным кабелем, который можно приобрести в сервисных центрах DEWALT.

## Использование удлинительного кабеля

Используйте удлинитель только в случаях крайней необходимости. Используйте только утвержденные удлинители промышленного изготовления, рассчитанные на мощность не меньшую, чем потребляемая мощность зарядного устройства (см. **Технические характеристики**). Минимальное поперечное сечение провода электрического кабеля должно составлять 1 мм<sup>2</sup>; максимальная длина 30 м. При использовании кабельного барабана всегда полностью разматывайте кабель.

## Комплектация поставки

В комплектацию входит:

- 1 Рейсмусовый станок
  - 1 Круглый переходник пылеотвода
  - 1 Т-образный ключ (расположен на верхней крышке станка)
  - 1 Поворотная рукоятка настройки глубины
  - 1 Шестигранный винт для поворотной рукоятки
  - 1 Руководство по эксплуатации
- Проверьте инструмент, детали и дополнительные приспособления на наличие повреждений, которые могли произойти во время транспортировки.
  - Перед началом работы необходимо внимательно прочитать настоящее руководство и принять к сведению содержащуюся в нем информацию.

## Описание (Рис. А)

**ВНИМАНИЕ:** Никогда не вносите изменения в конструкцию электроинструмента или какой-либо его части. Это может привести к повреждению или травме.

- 1 Рейсмусовый станок
- 2 Боковые ручки для переноски
- 3 Захваты в основании
- 4 Монтажные отверстия для крепления на верстаке
- 5 Поворотная рукоятка
- 6 Пусковой выключатель

## Сфера применения

Данный рейсмусовый станок предназначен для профессиональных работ по строганию древесины.

**НЕ** используйте в условиях повышенной влажности или близости от легковоспламеняющихся жидкостей или газов.

Данный рейсмусовый станок является профессиональным инструментом.

**НЕ РАЗРЕШАЙТЕ** детям прикасаться к инструменту. Использование инструмента неопытными пользователями должно происходить под контролем опытного лица.

- Данный инструмент не предназначен для использования лицами (включая детей) с ограниченными физическими, психическими и умственными возможностями, не имеющими опыта, знаний или навыков работы с ним, если они не находятся под наблюдением лица, ответственного за их безопасность. Никогда не оставляйте детей без присмотра с этим инструментом.

## СБОРКА И РЕГУЛИРОВКА

**⚠ ВНИМАНИЕ:** Чтобы снизить риск получения серьезных травм, выключайте инструмент и отключайте его от сети перед тем, как выполнять какие-либо настройки или снимать/устанавливать насадки или принадлежности. Случайный запуск может привести к травме.

**⚠ ВНИМАНИЕ:** Не снимайте защитные кожухи (7, Рис. В). Это может привести к серьезной травме.

## Транспортировка рейсмусового станка (Рис. А)

**⚠ ВНИМАНИЕ:** Для вашей собственной безопасности рекомендуется, чтобы два человека переносили данный станок, в противном случае существует риск получения тяжелой травмы.

Для переноски станка используйте боковые ручки для переноски 2 или захваты 3 в основании станка.

## Крепление на верстаке (Рис. А)

На каждом из четырех опорных углов основания имеются по два отверстия различной формы 4 для монтажа вашего рейсмусового станка на верстаке. При монтаже станка при помощи болтов, используйте отверстия большего диаметра. При монтаже станка при помощи гвоздей или винтов, используйте отверстия меньшего диаметра. Не обязательно использовать все отверстия попарно.

Всегда надежно закрепляйте станок, чтобы не допустить его перемещения. Для удобства, инструмент можно установить на листе фанеры толщиной 12,7 мм или более, который затем крепится на поверхность основания или может быть перенесен в другое место, а затем закреплен.

**ПРИМЕЧАНИЕ:** При установке рейсмусового станка на лист фанеры проследите за тем, чтобы монтажные винты не выступали снизу. Фанерная панель должна ровно лежать на опоре.

**⚠ ПРЕДУПРЕЖДЕНИЕ:** Монтажная поверхность не должна быть деформированной или неровной.

## Установка поворотной рукоятки регулировки глубины (Рис. С)

1. Удалите винт из стержня поворотной рукоятки.
2. Вставьте поворотную рукоятку 5 в стержень.

3. Закрепите при помощи винта и Т-образного ключа 8, входящего в комплект поставки.

## Отверстия пылеотвода (Рис. D)

Ваш рейсмусовый станок оборудован отверстием пылеотвода. Круглый переходник пылеотвода 9, изображенный на Рис. F, предназначен для подключения шланга пылесоса диаметром 100 мм.

## Настройка пылеудаления (Рис. D)

**⚠ ВНИМАНИЕ:** Не используйте станок без переходника пылеотвода, зафиксированного на месте. Не вставляйте никакие предметы в отверстие пылеотвода, если рейсмусовый станок не отключен и вы не прочищаете засор, блокирующий инструмент. Не подносите лицо или глаза к отверстию пылеотвода во время работы рейсмусового станка. Это может привести к серьезной травме.

**⚠ ВНИМАНИЕ:** Опилки выбрасываются с большой скоростью. Держите руки и лицо в стороне от отверстия пылеотвода.

1. Выберите переходник 9.
2. Нажмите на отпирающую кнопку 11 на рукаве пылеотвода 10.
3. Надвиньте выемки на переходнике на штифты на рукаве выброса стружки.
4. Поворачивайте переходник, пока не сработает кнопка и переходник не зафиксируется на рукаве пылеотвода.

## Снятие переходника пылеотвода (Рис. D)

1. При помощи Т-образного ключа нажмите на отпирающую кнопку 11 на рукаве пылеотвода.
2. Поворачивайте переходник, пока штифты не выйдут из выемок на переходнике.
3. Потяните за переходник и снимите его с отверстия пылеотвода.

## Регулировка глубины (Рис. E)

### Шкала регулировки глубины (Рис. E)

Шкала регулировки глубины 14, расположенная на передней правой панели вашего рейсмусового станка, отображает окончательную толщину вашей заготовки. Один поворот рукоятки регулировки глубины равен 1,6 мм, пол оборота - 0,8 мм и т.д.

### Поворотная рукоятка регулировки глубины

Поворот рукоятки по часовой стрелке опускает режущую головку. Поворот рукоятки против часовой стрелки поднимает режущую головку.

## Ограничитель глубины строгания (Рис. F)

Ваш станок оборудован ограничителем глубины строгания 17 для строгания нескольких заготовок на одинаковую предварительно настроенную глубину. Настройки ограничителя: 3 мм, 6,5 мм, 12,7 мм, 31,9 мм, 25,5 мм и 32 мм.

## Установка минимальной глубины, на которую может перемещаться режущая головка с помощью ограничителя

1. Перед настройкой ограничителя убедитесь, что режущая головка установлена на глубину более 32 мм.
2. Поворачивайте круглую рукоятку на передней левой панели рейсмусового станка, пока красный индикатор не укажет на нужную настройку глубины, затем опустите режущую головку.
3. Строгайте заготовку с желаемым шагом, пока не будет достигнута конечная толщина заготовки.

**ПРИМЕЧАНИЕ:** Не пытайтесь опустить режущую головку ниже уровня, обозначенного ограничителем глубины. Это может привести к необратимому повреждению системы регулировки высоты вашего рейсмусового станка.

## ЭКСПЛУАТАЦИЯ

### Инструкции по использованию



**ВНИМАНИЕ:** Всегда следуйте указаниям действующих норм и правил безопасности.



**ВНИМАНИЕ:** Чтобы снизить риск получения серьезных травм, выключайте инструмент и отключайте его от сети перед тем, как выполнять какие-либо настройки или снимать/устанавливать насадки или принадлежности. Случайный запуск может привести к травме.

### Пусковой выключатель (Рис. G)

Чтобы запустить рейсмусовый станок, поднимите пусковой выключатель **12** вверх.

Станок начнет работать в непрерывном режиме. Чтобы выключить инструмент опустите пусковой выключатель вниз. Отверстие **13** под выключателем предназначено для всяческого замка, чтобы предотвратить несанкционированное использование инструмента.

### Выбор скорости (Рис. H)

**ПРИМЕЧАНИЕ:** Переключайте скорость только на работающем инструменте.

Ваш рейсмусовый станок может подавать материал на двух различных скоростях. Двухскоростная функция **16** была разработана для повышения эффективности при строгании и для обеспечения наилучшего качества поверхности различных материалов.

Для более быстрого снятия материала используйте скорость «2». Данная настройка обеспечивает 96 резов на дюйм материала.

Для отделки используйте скорость «1». Скорость «1» идеально подходит для обеспечения наилучшей поверхности на последнем проходе до достижения окончательной толщины.

**ПРИМЕЧАНИЕ:** При строгании особо твердых или фигурных пород дерева рекомендуется использовать скорость «1».

Более медленная скорость подачи снижает износ ножа, производя 179 резов на дюйм материала.

### Шкала удаления материала (Рис. I)

Ваш рейсмусовый станок оборудован шкалой удаления материала **15**. Она используется для указания количества древесины, которая будет удалена за один проход с режущей головкой, установленной на ее текущую высоту.

### Использование шкалы удаления материала

1. Вдвиньте примерно 75 мм материала под середину режущей головки.
2. Убедитесь, что деревянная заготовка ровно лежит на основании рейсмусового станка. Если материал лежит под углом, показания могут быть неточными.
3. Опустите режущую головку вниз на материал, пока шкала удаления материала не достигнет заготовки. Вы увидите, как красная стрелка начнет двигаться вверх по шкале, указывая количество материала, которое будет удалено с режущей головкой на этой высоте.
4. Отрегулируйте высоту режущей головки, пока на шкале не отобразится нужная глубина строгания.
5. Извлеките материал из-под режущей головки.
6. Включите инструмент и подавайте заготовку под режущую головку.

**ПРИМЕЧАНИЕ:** Не превышайте рекомендованную глубину реза для материалов различной ширины, рекомендованных на шкале удаления материала.



**ВНИМАНИЕ:** НЕ ВКЛЮЧАЙТЕ инструмент с заготовкой, уложенной под режущей головкой. Это может привести к серьезной травме.

## Основные приемы строгания

### Правильная техника при строгании



**ВНИМАНИЕ:** НЕ ВКЛЮЧАЙТЕ инструмент с заготовкой, уложенной под режущей головкой. Дождитесь, пока ролики и режущая головка не наберут полную скорость, и только после этого начинайте подавать материал.

### Строгание материала

1. Опустите режущую головку на нужную высоту для первого прохода.
2. Включите инструмент и подавайте заготовку на подающие ролики.
3. Проверьте законченный рез и отрегулируйте высоту режущей головки для последующего прохода.

**ПРИМЕЧАНИЕ:** Двигайте доску назад-вперед между каждым проходом.

См. раздел «Возможные неисправности и способы их устранения», чтобы получить дополнительную информацию.

Для наилучших результатов, обстругайте обе стороны заготовки для достижения желаемой толщины. Например, если вам необходимо удалить 3 мм материала, снимите

с каждой стороны по 1,6 мм. Это не только позволяет заготовке подсыхать с равномерным содержанием влаги, но и дает более чистые срезы.

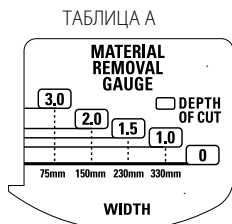
**⚠ ВНИМАНИЕ:** *Строгайте только древесину, в которой нет посторонних предметов, без выпадающих сучков и содержащую как можно меньше плотных сучков. Не строгайте заготовку, если на ней много сучков или она сильно покороблена.*

**⚠ ВНИМАНИЕ:** *При подаче материала не становитесь между задней частью рейсмусового станка и неподвижным объектом. Это может привести к серьезной травме.*

### Минимальная/максимальная ширина/высота/глубина

**ПРИМЕЧАНИЕ:** Всегда строгайте вдоль волокон древесины. Обязательно поддерживайте заготовку должным образом. Строгание заготовок шириной менее 19 мм не рекомендуется. Если вам нужно обстругать узкий материал, сгруппируйте несколько деталей вместе и выровняйте их как одну широкую заготовку, когда это возможно.

Максимальная глубина реза вашего рейсмусового станка за один проход - 3 мм [на заготовке шириной менее 152 мм]. Никогда не пытайтесь модифицировать ваш рейсмусовый станок для получения более глубокого среза. Для наилучших результатов см. рекомендованную глубину/ширину, приведенную в Таблице А.



### Завал

Завал - это ситуация, когда неподдерживаемый конец вашего материала падает на пол, в результате чего противоположный конец поднимается под режущую головку.

### Чтобы избежать завала

Подавайте заготовку в рейсмусовый станок так, чтобы она была ровной и всегда оставалась плоской относительно основания.

Сохраняйте уровень заготовки на протяжении всего процесса строгания, получая или «захватывая» его с задней стороны рейсмусового станка.

Если вы строгаете особо длинный материал, рекомендуется использовать дополнительную опору для заготовки.

### Скрученные, изогнутые и искривленные заготовки (Рис. J)

Если обе стороны вашего материала очень шероховатые или если материал скручен, изогнут или искривлен, ваш рейсмусовый станок может не дать желаемого результата. В идеале, у вас должна быть хотя бы одна ровная поверхность вашего материала, прежде чем вы начнете строгать. Ваш рейсмусовый станок лучше всего будет работать с материалом, который был обработан фуганком, чтобы получить одну плоскую поверхность. Если у вас нет хотя бы одной плоской поверхности или фуганка, см. ниже следующие рекомендации.

### Строгание скрученных заготовок (Рис. K)

**⚠ ВНИМАНИЕ:** *Скрученная деревянная заготовка может стать причиной заземления вашего рейсмусового станка. При защемлении отключите подачу питания, отсоедините станок от сети и поднимите режущую головку, чтобы высвободить из-под нее материал.*

Если заготовка только слегка скручена:

Строгайте попеременно с обеих сторон, пока не будет достигнута нужная толщина.

### Строгание изогнутых заготовок (Рис. L)

Для достижения наилучших результатов при строгании изогнутых заготовок:

Продольно распилите заготовку посередине и простругайте две отдельные заготовки.

Продольный распил снижает изогнутость и позволяет станку добиваться лучших результатов. Помните, что вам нужно будет удалить больше материала с изогнутой заготовки, чем на обычной доске, чтобы достичь желаемой толщины.

### Если продольный распил невозможен

Строгайте одну сторону заготовки, пока она не станет плоской, затем обстругайте другую сторону, пока она тоже не станет плоской.

**ПРИМЕЧАНИЕ:** Если заготовка изогнута, не двигайте доску назад-вперед между каждым проходом.

### Строгание искривленных заготовок (Рис. M)

Подающие ролики и режущая головка вашего рейсмусового станка будут распрямлять искривление материала по мере его подачи. Однако на выходе материала из рейсмусового станка давление роликов и режущей головки ослабнет, позволяя древесине вернуться обратно к искривленной форме. Для удаления искривления используйте фуганок. **ДЕРЕВЯННЫЕ ИСКРИВЛЕННЫЕ ЗАГОТОВКИ БУДУТ РАСПРЯМЛЯТЬСЯ ПОДАЮЩИМИ РОЛИКАМИ И РЕЖУЩЕЙ ГОЛОВКОЙ, НО ПОСЛЕ СТРОГАНИЯ ИСКРИВЛЕНИЕ ОСТАНЕТСЯ (Рис. M)**

## ТЕХНИЧЕСКОЕ ОБСЛУЖИВАНИЕ

Электроинструмент DEWALT имеет длительный срок эксплуатации и требует минимальных затрат на техобслуживание. Для длительной безотказной работы необходимо обеспечить правильный уход за инструментом и его регулярную очистку.



**ВНИМАНИЕ:** Чтобы снизить риск получения серьезных травм, выключайте инструмент и отключайте его от сети перед тем, как выполнять какие-либо настройки или снимать/устанавливать насадки или принадлежности. Убедитесь, что курковый переключатель находится в положении ВЫКЛ. Непреднамеренный запуск инструмента может привести к получению травмы.

## Периодическое техническое обслуживание

1. Регулярно осматривайте инструмент на предмет выявления повреждений или поломанных деталей.
2. Очистите верхнюю крышку, пылезащитный кожух и все доступные участки инструмента от пыли и древесных опилок, скопившихся в результате строгания.
3. Протрите подающие и отводящие ролики.
4. Очистите стол основания. Легкое воскирование поможет древесному материалу проходить через строгальный станок.
5. Оцените состояние остроты ножа. Замените по необходимости.
6. Калибровка датчика, проверьте калибровку датчика толщины и ограничителя глубины.
7. Проверяйте щетки на износ и при необходимости замените.

## Замена или поворот строгальных ножей



**ВНИМАНИЕ:** В целях снижения риска получения серьезных травм, отсоедините рейсмусовый станок от источника питания перед тем, как заменить или открыть доступ к строгальным ножам. Случайный запуск может привести к травме.

### Замена строгальных ножей (Рис. N-5)

1. Используя Т-образный ключ, удалите четыре винта в верхней части рейсмусового станка.
2. Поднимите верхнюю часть (Рис. N) и отложите ее в сторону.
3. Удалите три барашковых гайки, которые герметизируют пылезащитный кожух над режущей головкой.
4. Поверните пылезащитный кожух вверх, чтобы круглое соединение, которое фиксируется на корпусе вентилятора, находилось в открытом положении (Рис. O).
5. Сдвиньте пылезащитный кожух влево, чтобы он отсоединился от корпуса вентилятора.

6. Снимите пылезащитный кожух с инструмента (Рис. P) и отложите его в сторону.
7. Доступ к режущей головке открыт. Если восемь винтов в зажиме режущей головки не видны, осторожно поворачивайте режущую головку с помощью деревянного обрезка (Рис. Q), до тех пор, пока не откроются винты и не сработает рычаг **18** блокировки режущей головки. Это предотвратит последующее вращение режущей головки во время смены ножей.



**ВНИМАНИЕ:** Всегда держите ваши пальцы в стороне от режущей головки. Чтобы удерживать ножи, используйте входящий в комплект насадки инструмент.

8. Используя Т-образный ключ, удалите восемь винтов с зажима ножа и установите их в небольшом отсеке для винтов **19** на передней панели рейсмусового станка (Рис. R).
9. Используя магниты в верхней части Т-образного ключа, подцепите нож и поднимите его из режущей головки. Один из ножей теперь должен быть открыт.
10. При помощи магнита **20** в верхней части Т-образного ключа (Рис. Q) подцепите нож. Избегайте касания ножа пальцами.

**ПРИМЕЧАНИЕ:** Прежде чем установить нож убедитесь, что режущая головка и нож чисты от мусора; прочистите, если есть необходимость.

### Если изношена только одна сторона ножа

1. Поверните нож так, чтобы острый неиспользованный край свисал с конца режущей головки, где он будет резать материал. Обязательно установите продолговатые отверстия в ноже над шпильками на режущей головке.
2. Установите на нож зажим. Убедитесь, что скошенный край на зажиме выровнен с острой режущей кромкой ножа. Если они не выровнены правильно, зажим не закрепит нож должным образом.
3. Установите в зажим винты и надежно затяните.

**ПРИМЕЧАНИЕ:** Убедитесь, что все винты надежно затянуты.

### Доступ к другим двум ножам

1. Нажмите на зажимной рычаг режущей головки **18**, как показано на Рисунке Q.
2. При помощи деревянного бруска аккуратно поворачивайте режущую головку, пока она не зафиксируется на месте, обнажая другой зажим ножа.
3. Следуйте процедуре смены ножа, описанной выше.
4. Повторите процедуру для последнего затупленного ножа.

### После установки новых ножей

1. Вставьте круглый конец пылезащитного кожуха в корпус вентилятора и поверните его вниз, фиксируя на месте.
2. Установите на кожух три барашковые гайки.
3. Привинтите верхнюю крышку станка на инструмент.



**ПРИМЕЧАНИЕ:** Рейсмусовый станок не будет работать, если верхняя крышка не установлена правильно.

## Замена щеток (Рис. Т, У)

Ваш рейсмусовый станок оборудован крышками щеток **21**, расположенными с внешней стороны двигателя. Если ваши щетки подлежат замене, начните с приобретения нового комплекта в сервисном центре DEWALT или у продавца, уполномоченного обслуживать продукты DEWALT. Используйте только идентичные щетки DEWALT.

### Замена щеток на рейсмусовом станке (Рис. Т, У)

1. Используя Т-образный ключ, снимите верхнюю крышку и экран крышки щетки на рейсмусовом станке.
2. Шлицевой отверткой отвинтите крышку щетки, расположенную в правой задней части инструмента **22**.
3. То же самое сделайте с крышкой щетки, расположенной на боковой части мотора, внутри крышки рейсмусового станка.
4. Поместите новые щетки в щеткодержатели.
5. После установки щеток установите на место верхнюю крышку и экран крышки щетки.
6. Перед использованием рейсмусового станка запустите инструмент на 10 минут, чтобы новые щетки сели.

**ПРИМЕЧАНИЕ:** Если щетки в наличии не требуют замены, убедитесь, что вы установили их в первоначальном положении.

## Калибровка шкалы глубины строгания (Рис. V)

Шкала глубины строгания **14** вашего рейсмусового станка настроена на заводе-изготовителе. Однако при продолжительном использовании шкала глубины строгания может отображать неправильные значения.

Чтобы проверить показания шкалы, простругайте деревянную заготовку, записывая значения, обозначенные на шкале глубины строгания.

Измерьте конечную толщину заготовки. Если толщина заготовки не совпадает с показаниями шкалы глубины строгания, ослабьте два винта **23** на красном указателе. Подвигайте указатель вверх-вниз, пока показания не совпадут с конечной толщиной заготовки. Надежно затяните винты.

## Техническое обслуживание основания

Поверхность стола должна быть чистой и не содержать следов смазки, жира и смолы. Обработайте стол пастообразным воском, чтобы сохранить его гладкую поверхность.

## Кнопка сброса устройства защитного отключения (Рис. W)

Ваш рейсмусовый станок оборудован 18 А устройством защитного отключения. Если ваш рейсмусовый станок перегружен и перестает работать, выключите станок,

оставьте инструмент на 2 минуты и нажмите кнопку сброса **24**, прежде чем продолжить работу.



**ВНИМАНИЕ:** Чтобы предотвратить неожиданный запуск рейсмусового станка, если питание прерывается устройством защитного отключения, убедитесь, что пусковой выключатель находится в положении ВЫКЛ, прежде чем восстанавливать питание.

**ПРИМЕЧАНИЕ:** Защитное отключение при нагрузках часто является результатом тупых ножей. Для предотвращения срабатывания устройства защитного отключения регулярно меняйте ножи. Проверьте ножи, прежде чем переустанавливать устройство защитного отключения и продолжать работу на рейсмусовом станке.

См. в разделе «**Возможные неисправности и способы их устранения**» дополнительную информацию по устройствам защитного отключения.

## Замена приводного ремня

Приводные ремни можно приобрести за отдельную плату в авторизованных сервисных центрах DEWALT. Замена приводного ремня должна производиться квалифицированным сервисным персоналом.

## Вентилятор выброса стружки (Рис. N–P, X)

Вентилятор выброса стружки вашего рейсмусового станка должен регулярно чиститься и прочищаться от мусора.



**ВНИМАНИЕ:** Выключите и отключите станок от сети перед работой с вентилятором выброса стружек.

### Доступ к вентилятору

1. При помощи Т-образного ключа снимите верхнюю крышку рейсмусового станка.
2. Снимите пылезащитный кожух (Рис. N) и отложите его в сторону.
3. Удалите винты и зажимы вокруг корпуса вентилятора.
4. Извлеките корпус вентилятора и отложите его в сторону, как показано. Теперь можно приступать к чистке вентилятора.

См. раздел «**Возможные неисправности и способы их устранения**» для дополнительной информации.



**ВНИМАНИЕ:** Перед последующим использованием вашего рейсмусового станка убедитесь, что корпус вентилятора, пылезащитный кожух и верхняя крышка установлены правильно.



### Чистка



**ВНИМАНИЕ:** Выдувайте грязь и пыль из корпуса сухим сжатым воздухом по мере видимого скопления грязи внутри и вокруг вентиляционных отверстий. Выполняйте очистку, надев средство защиты глаз и респиратор утвержденного типа.

**!** **ВНИМАНИЕ:** *Никогда не используйте растворители или другие агрессивные химические средства для очистки неметаллических деталей инструмента. Эти химикаты могут ухудшить свойства материалов, примененных в данных деталях. Используйте ткань, смоченную в воде с мягким мылом. Не допускайте попадания какой-либо жидкости внутрь инструмента; ни в коем случае не погружайте какую-либо часть инструмента в жидкость.*

## Дополнительные принадлежности

**!** **ВНИМАНИЕ:** *Поскольку принадлежности, отличные от тех, которые предлагает DEWALT, не проходили тесты на данном изделии, то использование этих принадлежностей может привести к опасной ситуации. Во избежание риска получения травмы, с данным продуктом должны использоваться только рекомендованные DEWALT дополнительные принадлежности.*

По вопросу приобретения дополнительных принадлежностей обращайтесь к Вашему дилеру.

Для рейсмусового станка DW735 доступны четыре дополнительные принадлежности.

- DW7350 Мобильная стойка
- DW7351 Складные столы
- DW7352 Строгальные ножи 325 мм
- DW7353 Переходник пилеудаления

**ПРИМЕЧАНИЕ:** Винтовые режущие головки не были протестированы с этим продуктом и не рекомендуются для использования.

## DW7351 Складные столы (Рис. Y)

**!** **ВНИМАНИЕ:** *В целях безопасности, перед установкой столов внимательно прочтите руководство по эксплуатации. Невыполнение этих инструкций может привести к травме и серьезным повреждениям рейсмусового станка и его принадлежности. При проведении технического обслуживания инструмента используйте только оригинальные запасные части. Замените поврежденные кабели в авторизованном сервисном центре.*

В коробке со складными столами DW7351 могут находиться:

- |                     |                     |
|---------------------|---------------------|
| 2 складных стола    | 4 гайки             |
| 4 фиксирующих винта | 4 ступенчатых болта |
| 4 пружины           |                     |

## Настройка и установка крепежных элементов основания (Рис. Z–BB)

1. Поместите рейсмусовый станок на устойчивый стол или верстак. Разместите станок таким образом, чтобы передние 75–100 мм основания имели доступ снизу.
2. Закрепите заднюю часть станка на столе/верстаке гвоздями или винтами, чтобы он не упал или не перевернулся со стола.

**!** **ВНИМАНИЕ:** *Станок может перевернуться или упасть со стола, если он неправильно закреплен напротив конца, на который установлен складной стол. Это может привести к серьезной травме.*

3. Наденьте пружины на короткие концы ступенчатых болтов.
4. Вставьте конец болта с пружиной в широкое отверстие в боковой части основания.
5. Протолкните ступенчатый болт до донца через отверстие в первом ребре с нижней стороны станка. Пружина должна слегка зацепиться за ребро, а резьба должна быть видна с правой стороны ребра.
6. Удерживая гайку при помощи гаечного ключа на месте, вверните в нее ступенчатый болт с нижней стороны станка. Можно использовать 4 мм шестигранный ключ для затяжки ступенчатого болта до его полной фиксации (Рис. Z).
7. Вставьте меньший болт в нижнее резьбовое отверстие в боковой части основания. Надежно затяните этот крепежный элемент при помощи 4 мм шестигранного ключа (Рис. AA).
8. Нажмите на верхний штифт, пока он не окажется на одном уровне с основанием, наденьте верхнее отверстие стола на штифт и отпустите штифт, чтобы они зафиксировались вместе (Рис. AA, BB).
9. Для установки стола в задней части рейсмусового станка, вставьте болты и пружины, следуя вышеизложенным инструкциям.

Ваши столы теперь должны складываться вверх и вниз на верхнем винте и опираться на нижний винт, находясь в положении для строгания.

**ПРИМЕЧАНИЕ:** Для транспортировки рейсмусового станка со столами, сложите их и переносите станок в соответствии с рекомендациями руководства по эксплуатации рейсмусового станка.

**!** **ВНИМАНИЕ:** *Для вашей собственной безопасности рекомендуется, чтобы два человека переносили данный станок, в противном случае существует риск получения тяжелой травмы.*

## Снятие столов

1. Нажмите на подпружиненные болты на основании и сдвиньте каждый конец стола на себя, чтобы болты вышли из отверстий в столах. Вы можете использовать Т-образный гаечный ключ со своего рейсмусового станка, чтобы вытолкнуть болты на один уровень с основанием, чтобы легко снять столы.
2. Оставьте крепежные элементы (ступенчатые болты и малый фиксирующий винт) в основании, пока вам не понадобится снова прикрепить столы.

## Защита окружающей среды



Отдельная утилизация. Изделия с данным символом на маркировке запрещается утилизировать с обычными бытовыми отходами.

Изделия содержат материалы, которые могут быть извлечены или переработаны, снижая потребность в исходном сырье. Пожалуйста, утилизируйте электрические изделия в соответствии с местными нормами. Дополнительная информация доступна по адресу [www.2helpU.com](http://www.2helpU.com).

- уменьшите глубину реза. Слишком агрессивный рез может стать причиной перегрузки двигателя.
- снизьте скорость подачи до 4,3 м/мин. Снижение скорости подачи уменьшит нагрузку на двигатель и предотвратит срабатывание устройства защитного отключения.

**ПРИМЕЧАНИЕ:** Даже при нормальных условиях нагрузки другие электрические нагрузки в той же разветвленной цепи могут вызвать срабатывание устройства защитного отключения.

## Возможные неисправности и способы их устранения

### Если инструмент не работает, проверьте:

- подключен ли инструмент к розетке электросети.
- установлен ли на место пылезащитный кожух.
- установлена ли на место верхняя крышка.
- нуждается ли устройство защитного отключения в сбросе.

### Если материал не подается должным образом, проверьте:

- наличие засорения в пылезащитном кожухе.
- наличие масла/мусора от подающих роликов.
- наличие чрезмерно скрученного, изогнутого или искривленного материала.
- наличие порванного приводного ремня.

### Если опилки не выбрасываются из задней части станка, проверьте:

- установлен ли на место пылезащитный кожух.
- не засорены или не заблокированы ли пылезащитный кожух и вентилятор.

### Если срабатывает устройство защитного отключения:

- проверьте остроту ножей. Тупые ножи могут стать причиной перегрузки двигателя.
- уменьшите глубину реза. Слишком агрессивный рез может стать причиной перегрузки двигателя.
- снизьте скорость подачи до 4,3 м/мин. Снижение скорости подачи уменьшит нагрузку на двигатель и предотвратит срабатывание устройства защитного отключения.

### Если местное устройство защитного отключения (дома/на рабочем месте) все время срабатывает:

- отключите от сети или выключите все другие устройства, подключенные наравне с рейсмусовым станком к устройству защитного отключения ИЛИ используйте для рейсмусового станка другое отдельное устройство защитного отключения.
- проверьте остроту ножей. Тупые ножи могут стать причиной перегрузки двигателя.



**Приложение к руководству по эксплуатации электрооборудования для определения месяца производства по номеру текущей календарной недели года**

Электрооборудование торговых марок "Dewalt", "Stanley", "Stanley FatMAX", "BLACK+DECKER".

Директивы 2014/30/EU ЕВРОПЕЙСКОГО ПАРЛАМЕНТА И СОВЕТА от 26 февраля 2014 г. "О гармонизации законодательства Государств-членов ЕС в области электромагнитной совместимости", 2006/42/ЕС ЕВРОПЕЙСКОГО ПАРЛАМЕНТА И СОВЕТА от 17 мая 2006 г. "О машинах и оборудовании"; 2014/35/EU ЕВРОПЕЙСКОГО ПАРЛАМЕНТА И СОВЕТА от 26 февраля 2014 г. "О гармонизации законодательства государств-членов в области размещения на рынке электрооборудования, предназначенного для использования в определенных пределах напряжения". Серийный выпуск.

**ТОВАР СЕРТИФИЦИРОВАН**

Орган по сертификации "РОСТЕСТ- Москва", Адрес: 119049, г. Москва, улица Житная, д. 14, стр. 1; 117418, Москва, Нахимовский просп., 31 (фактический); Телефон: (499) 1292311, (495) 6682893, факс: (495) 6682893, E-mail: [office@rostest.ru](mailto:office@rostest.ru)  
Изготовитель: Изготовитель: Блэк энд Деккер Холдингс ГмбХ, Германия, 65510, Идштайн, ул. Блэк энд Деккер, 40, тел. +496126212790.

Уполномоченное изготовителем юр.лицо:

ООО "Стэчли Блэк энд Деккер", 117485, город Москва, улица Обручева, дом 30/1, строение 2  
Телефон: + 7 (495) 258-3981, факс: + 7 (495) 258-3984, E-mail: [inbox@dewalt.com](mailto:inbox@dewalt.com)  
Сведения о импортере указаны в сопроводительной документации и/или на упаковке

**Хранение.**

Необходимо хранить в сухом месте, вдали от источников повышенных температур и воздействия солнечных лучей. При хранении необходимо избегать резкого перепада температур. Хранение без упаковки не допускается

**Срок службы.**

Срок службы изделия составляет 5 лет. Не рекомендуется к эксплуатации по истечении 5 лет хранения с даты изготовления без предварительной проверки.

Дата изготовления (код даты) указана на корпусе инструмента. Код даты, который также включает год изготовления, отштампован на поверхности корпуса изделия.

Пример:

2014 46 XX, где 2014 –год изготовления, 46–неделя изготовления. Определить месяц изготовления по указанной неделе изготовления можно согласно приведенной ниже таблице.

**Транспортировка.**

Категорически не допускается падение и любые механические воздействия на упаковку при транспортировке. При разгрузке/погрузке не допускается использование любого вида техники, работающей по принципу зажима упаковки.

**Перечень критических отказов, возможные ошибочные действия персонала.**

Не допускается эксплуатация изделия:

- При появлении дыма из корпуса изделия
- При поврежденном и/или оголенном сетевом кабеле
- при повреждении корпуса изделия, защитного кожуха, рукоятки
- при попадании жидкости в корпус
- при возникновении сильной вибрации
- при возникновении сильного искрения внутри корпуса

**Критерии предельных состояний.**

- При поврежденном и/или оголенном сетевом кабеле
- при повреждении корпуса изделия

| Месяц  | Январь | Февраль | Март | Апрель | Май | Июнь | Июль | Август | Сентябрь | Октябрь | Ноябрь | Декабрь | Год производства |
|--------|--------|---------|------|--------|-----|------|------|--------|----------|---------|--------|---------|------------------|
| Неделя | 1      | 5       | 9    | 14     | 18  | 23   | 27   | 31     | 36       | 40      | 44     | 49      | 2018             |
|        | 2      | 6       | 10   | 15     | 19  | 24   | 28   | 32     | 37       | 41      | 45     | 50      |                  |
|        | 3      | 7       | 11   | 16     | 20  | 25   | 29   | 33     | 38       | 42      | 46     | 51      |                  |
|        | 4      | 8       | 12   | 17     | 21  | 26   | 30   | 34     | 39       | 43      | 47     | 52      |                  |
|        |        |         | 13   |        | 22  |      |      | 35     |          |         | 48     |         |                  |
| Неделя | 1      | 6       | 10   | 14     | 18  | 23   | 27   | 31     | 36       | 40      | 45     | 49      | 2019             |
|        | 2      | 7       | 11   | 15     | 19  | 24   | 28   | 32     | 37       | 41      | 46     | 50      |                  |
|        | 3      | 8       | 12   | 16     | 20  | 25   | 29   | 33     | 38       | 42      | 47     | 51      |                  |
|        | 4      | 9       | 13   | 17     | 21  | 26   | 30   | 34     | 39       | 43      | 48     | 52      |                  |
|        | 5      |         |      |        | 22  |      |      | 35     |          | 44      |        |         |                  |
| Неделя | 1      | 6       | 10   | 14     | 19  | 23   | 27   | 32     | 36       | 40      | 45     | 49      | 2020             |
|        | 2      | 7       | 11   | 15     | 20  | 24   | 28   | 33     | 37       | 41      | 46     | 50      |                  |
|        | 3      | 8       | 12   | 16     | 21  | 25   | 29   | 34     | 38       | 42      | 47     | 51      |                  |
|        | 4      | 9       | 13   | 17     | 22  | 26   | 30   | 35     | 39       | 43      | 48     | 52      |                  |
|        | 5      |         |      |        | 18  |      | 31   |        |          | 44      |        |         |                  |
| Неделя | 2      | 6       | 10   | 14     | 19  | 23   | 27   | 32     | 36       | 41      | 45     | 49      | 2021             |
|        | 3      | 7       | 11   | 15     | 20  | 24   | 28   | 33     | 37       | 42      | 46     | 50      |                  |
|        | 4      | 8       | 12   | 16     | 21  | 25   | 29   | 34     | 38       | 43      | 47     | 51      |                  |
|        | 5      | 9       | 13   | 17     | 22  | 26   | 30   | 35     | 39       | 44      | 48     | 52      |                  |
|        |        |         |      |        | 18  |      | 31   |        | 40       |         |        | 1       |                  |
| Неделя | 2      | 6       | 10   | 15     | 19  | 23   | 28   | 32     | 36       | 41      | 45     | 49      | 2022             |
|        | 3      | 7       | 11   | 16     | 20  | 24   | 29   | 33     | 37       | 42      | 46     | 50      |                  |
|        | 4      | 8       | 12   | 17     | 21  | 25   | 30   | 34     | 38       | 43      | 47     | 51      |                  |
|        | 5      | 9       | 13   | 18     | 22  | 26   | 31   | 35     | 39       | 44      | 48     | 52      |                  |
|        |        |         |      | 14     |     | 27   |      |        | 40       |         |        | 1       |                  |

# 325 MM AĞIR HİZMET TIPI TAŞINABILIR KALINLIK PLANYASI DW735

## Tebrikler!

Bir DEWALT aleti seçtiniz. Uzun süreli deneyim, sürekli ürün geliştirme ve yenilik DEWALT markasının profesyonel elektrikli alet kullanıcıları için en güvenilir ortaklardan birisi haline gelmesini sağlamaktadır.

## Teknik Özellikleri

|                                                                     |                    | DW735                     |
|---------------------------------------------------------------------|--------------------|---------------------------|
| Voltaj                                                              | V <sub>AC</sub>    | 230-240                   |
| Giriş gücü                                                          | W                  | 1800                      |
| Yüksüz/anma hızı dev/dak                                            | dak <sup>-1</sup>  | 10000                     |
| Çalışma / Dinlenme süresi                                           | dak                | 1/3                       |
| Kesme Hızı                                                          | m/dak<br>(ft./dak) | 4,3 (14) veya 7,0<br>(26) |
| Kesme yüksekliği (maks.)                                            | mm (")             | 152 (6)                   |
| Kesme genişliği (maks.)                                             | mm (")             | 330 (13)                  |
| Maksimum 152 mm'lik levha genişliği için maks. kesme derinliği (6") | mm (")             | 3 (1/8)                   |
| Ağırlık                                                             | kg                 | 42,6                      |
| L <sub>PA</sub> (emisyon ses basıncı seviyesi)                      | dB(A)              | 95                        |
| K <sub>PA</sub> (ses basıncı belirsizliği)                          | dB(A)              | 3,3                       |
| L <sub>WA</sub> (ses güç seviyesi)                                  | dB(A)              | 108                       |
| K <sub>WA</sub> (ses gücü belirsizliği)                             | dB(A)              | 3,7                       |

Bu bilgi sayfasında verilen titreşim ve/veya gürültü emisyonu düzeyi, EN60745'de belirtilen standart teste uygun olarak ölçülmüştür ve aletleri birbiriyle karşılaştırmak için kullanılabilir.

Maruz kalmaya dönük bir ön değerlendirme olarak kullanılabilir.

**UYARI:** Beyan edilen titreşim ve/veya gürültü emisyonu düzeyi, aletin ana uygulamalarını yansıtır. Bununla birlikte alet farklı uygulamalar için, farklı aksesuarlar veya yeterince bakım yapılmadan kullanıldığında, titreşim ve/veya gürültü emisyonu değişebilir. Bu, toplam çalışma süresindeki maruz kalma seviyesini önemli ölçüde artırabilir.

Titreşim ve/veya gürültü maruz kalma seviyesine ilişkin bir tahminde bulunurken aletin kapalı kaldığı veya çalıştığı ancak gerçekte işi yapmadığı zamanlar da dikkate alınmalıdır. Bu, toplam çalışma süresindeki maruziyet düzeyini önemli ölçüde azaltabilir.

Operatörü titreşim ve/veya gürültünün etkilerinden korumak için aşağıdakiler gibi ilave güvenlik önlemleri tanımlayın: aleti ve aksesuarları iyi koruyun, ellerinizi sıcak tutun (titreşim için uygundur), çalışma sürelerini iyi organize edin.



**UYARI:** Yaralanma riskini azaltmak için, kullanım kılavuzunu okuyun.

## Tanımlar: Güvenlik Talimatları

Aşağıdaki tanımlar her işaret sözcüğü ciddiyet derecesini gösterir. Lütfen kılavuzu okuyunuz ve bu simgelere dikkat ediniz.



**TEHLİKE:** Engellenmemesi halinde **ölüm veya ciddi yaralanma** ile sonuçlanabilecek **çok yakın bir tehlikeli durumu** gösterir.



**UYARI:** Engellenmemesi halinde **ölüm veya ciddi yaralanma** ile sonuçlanabilecek **potansiyel bir tehlikeli durumu** gösterir.



**DİKKAT:** Engellenmemesi halinde **önemsiz veya orta dereceli yaralanma** ile sonuçlanabilecek **potansiyel bir tehlikeli durumu** gösterir.

**İKAZ:** Engellenmemesi halinde **maddi hasara neden olabilecek, yaralanma ile ilişkisi olmayan durumları** gösterir.



Elektrik çarpması riskini belirtir.



Yangın riskini belirtir.

## ELEKTRİKLİ EL ALETLERİ İÇİN GENEL GÜVENLİK TALIMATLARI



**UYARI:** Bu elektrikli aletle verilen tüm güvenlik uyarılarını, talimatları, resimleri ve teknik özellikleri okuyun. Aşağıda listelenen tüm talimatlara uyulmaması elektrik çarpmasına, yangına ve/veya ciddi yaralanmalara neden olabilir.

### BÜTÜN UYARI VE GÜVENLİK TALIMATLARINI İLERİDE BAKMAK ÜZERE SAKLAYIN

Uyarılarda yer alan «elektrikli alet» terimi şebeke elektrikliyle (kablolu) veya akü/pille (şarjlı) çalışan elektrikli aletinizi ifade etmemektedir.

#### 1) Çalışma alanının Güvenliği

- Çalışma alanını temiz ve aydınlık tutun.** Karışık ve karanlık alanlar kazaya davetiye çıkarır.
- Elektrikli aletleri, yanıcı sıvılar, gazlar ve tozların bulunduğu yerler gibi yanıcı ortamlarda çalıştırmayın.** Elektrikli aletler, toz veya dumanları ateşleyebilecek kıvılcımlar çıkarır.
- Bir elektrikli aleti çalıştırırken çocuklardan ve etraftaki kişilerden uzak tutun.** Dikkatinizi dağıtıcı şeyler kontrolü kaybetmenize neden olabilir.

#### 2) Elektrik Güvenliği

- Elektrikli aletlerin fişleri prizlere uygun olmalıdır.** Fiş üzerinde kesinlikle hiçbir değişiklik yapmayın.

**Topraklı elektrikli aletlerde hiçbir adaptör fişi kullanmayın.** Değiştirilmemiş fişler ve uygun prizler elektrik çarpması riskini azaltacaktır.

- b) **Borular, radyatörler, ocaklar ve buzdolapları gibi topraklanmamış yüzeylerle vücut temasından kaçının.** Vücudunuzun topraklanması halinde yüksek bir elektrik çarpması riski vardır.
- c) **Elektrikli aletleri yağmura maruz bırakmayın veya ıslatmayın.** Elektrikli alete su girmesi elektrik çarpması riskini artıracaktır.
- d) **Elektrik kablosunu uygun olmayan amaçlarla kullanmayın. Elektrikli aleti kesinlikle kablosundan tutarak taşımayın, çekmeyin veya prizden çıkartmayın. Kabloyu sıcağın, yağdan, keskin kenarlardan veya hareketli parçalardan uzak tutun.** Hasarlı veya dolaşmış kablolar elektrik çarpması riskini artırır.
- e) **Elektrikli bir aleti açık havada çalıştırıyorsanız, açık havada kullanıma uygun bir uzatma kablosu kullanın.** Açık havada kullanıma uygun bir kablounun kullanılması elektrik çarpması riskini azaltır.
- f) **Eğer bir elektrikli aletin nemli bir bölgede çalıştırılması zorunluysa, bir artık akım aygıtı (RCD) korumalı bir kaynak kullanın.** Bir RCD kullanılması elektrik şoku riskini azaltır.

### 3) Kişisel Güvenlik

- a) **Elektrikli bir aleti kullanırken her zaman dikkatli olun, yaptığınız işe yoğunlaşın ve sağduyulu davranın. Elektrikli bir aleti yorgunken veya ilaç ya da alkolün etkisi altındayken kullanmayın.** Elektrikli aletleri kullanırken bir anlık dikkatsizlik ciddi kişisel yaralanmaya sonuçlanabilir.
- b) **Kişisel koruyucu ekipmanları mutlaka kullanın. Daima koruyucu gözlük takın.** Koşullara uygun toz maskesi, kaymayan güvenlik ayakkabıları, baret veya kulaklık gibi koruyucu donanımların kullanılması kişisel yaralanmaları azaltacaktır.
- c) **İstem dışı çalıştırılmasını önleyin. Aleti güç kaynağına ve/veya aküye bağlamadan, yerden kaldırmadan veya taşımadan önce düğmenin kapalı konumunda olduğundan emin olun.** Aleti, parmağınız düğme üzerinde bulunacak şekilde taşımak veya açık konumdaki elektrikli aletleri elektrik şebekesine bağlamak kazaya davetiyeye çıkartır.
- d) **Elektrikli aleti açmadan önce tüm ayarlama anahtarlarını çıkartın.** Elektrikli aletin hareketli bir parçasına takılı kalmış bir anahtar kişisel yaralanmaya neden olabilir.
- e) **Ulaşmakta zorlandığınız yerlerde kullanmayın. Daima sağlam ve dengeli basın.** Bu, beklenmedik durumlarda elektrikli aletin daha iyi kontrol edilmesine olanak tanır.
- f) **Uygun şekilde giyinin. Bol elbiseler giymeyin ve takı takmayın. Saçınızı, elbiselerinizi ve eldivenlerinizi**

**hareketli parçalardan uzak tutun.** Bol elbiseler ve takılar veya uzun saç hareketli parçalara takılabilir.

- g) **Eğer kullandığınız üründe toz emme ve toplama özellikleri olan ataşmanlar varsa bunların bağlı olduğundan ve doğru şekilde kullanıldığından emin olun.** Bu ataşmanların kullanılması tozla ilgili tehlikeleri azaltabilir.
- h) **Aletlerin sık kullanımı sonucu oluşan aşınalığın keyfi davranışta bulunmanıza ve aletle ilgili güvenlik ilkeleri ihmal etmenize neden olmasına izin vermeyin.** Dikkatsiz bir hareket bir anda ciddi yaralanmalara neden olabilir.

### 4) Elektrikli Aletlerin Kullanımı ve Bakımı

- a) **Elektrikli aleti zorlamayın. Uygulamanız için doğru elektrikli aleti kullanın.** Doğru elektrikli alet, belirlendiği kapasite ayarında kullanıldığında daha iyi ve güvenli çalışacaktır.
- b) **Düğme açmıyor ve kapatmıyorsa elektrikli aleti kullanmayın.** Düğmeyle kontrol edilemeyen tüm elektrikli aletler tehlikelidir ve tamir edilmesi gerekmektedir.
- c) **Herhangi bir ayar, aksesuar değişimi veya elektrikli aletlerin saklanması öncesinde fişi güç kaynağından çekin ve/veya eğer demonte edilebilir tipteyse, bataryayı aletten ayırın.** Bu tür önleyici güvenlik tedbirleri elektrikli aletin istem dışı olarak çalıştırılması riskini azaltacaktır.
- d) **Elektrikli aleti, çocukların ulaşamayacağı yerlerde saklayın ve elektrikli aleti tanımayan veya bu talimatları bilmeyen kişilerin elektrikli aleti kullanmasına izin vermeyin.** Elektrikli aletler, eğitimsiz kullanıcıların elinde tehlikelidir.
- e) **Elektrikli aletleri iyi duruma muhafaza edin. Hareketli parçalardaki hizalama hatalarını ve tutuklukları, parçalardaki kırılmaları ve elektrikli aletin çalışmasını etkileyebilecek tüm diğer koşulları kontrol edin. Hasarlı ise, elektrikli aleti kullanmadan önce tamir ettirin.** Kazaların çoğu, elektrikli aletlerin bakımının yeterli şekilde yapılmamasından kaynaklanır.
- f) **Kesim aletlerini keskin ve temiz tutun.** Bakımı uygun şekilde yapılmış keskin kesim uçlu kesim aletlerinin sıkışma ihtimali daha düşüktür ve kontrol edilmesi daha kolaydır.
- g) **Elektrikli aleti, aksesuarlarını ve aletin diğer parçalarını kullanırken bu talimatlara mutlaka uyun ve çalışma ortamının koşullarını ve yapılacak işin ne olduğunu göz önünde bulundurun.** Elektrikli aletin öngörülen işlemler dışındaki işlemler için kullanılması tehlikeli durumlara neden olabilir.
- h) **Tüm tutamakları ve tutma yerlerini kuru, temiz ve üzerinde yağ ile gres bulunmayacak şekilde muhafaza edin.** Kaygan tutamaklar ve tutma yerleri, beklenmedik durumlarda aletin güvenli bir şekilde tutulması ve kontrol edilmesine izin vermez.

## 5) Servis

- a) **Elektrikli aletinizi, sadece orijinal yedek parçalarını kullandığı yetkili DEWALT servisine tamir ettirin.** Bu, elektrikli aletin güvenliğinin muhafaza edilmesini sağlayacaktır.

## Planyalar için Özel Ek Güvenlik Önlemleri

- **Yaralanma riskini azaltmak için, kullanıcı planyayı çalıştırmadan önce kullanım kılavuzunu okumalı ve anlamalıdır.**
- **Gerekli durumlarda daima göz koruması ve toz maskesi kullanın.**
- **Ellerinizi kesici kafa taşıyıcısının alt kısmından uzak tutun.**
- **Tıkanıklıkların temizlenmesi, kesici bıçağın değiştirilmesi veya diğer onarım/ayarların yapılmasını asla ünite takılıken yerine getirmeyin.**
- **Bir güç kaynağına takmadan önce düğmenin KAPALI konumunda olduğundan emin olun.**
- **Elektrik kesintisi sonrasında aletin istenmeden çalışmasını önlemek için, elektrik gelmeden önce düğmeyi KAPALI konuma getirin.**
- **Kesici bıçakların kullanım kılavuzunda açıklandığı şekilde monte edildiğinden ve üniteyi güç kaynağına bağlamadan önce tüm civataların sağlam şekilde sıkıldığından emin olun.**
- **Yaralanmaları önlemek için, kesici bloğu asla doğrudan ellerinize döndürmeyin.**
- **Siperleri yerinde ve iyi çalışır durumda muhafaza edin.**
- **Dikkatli olun - üniteyi asla yorgun veya ilaç, alkol veya uyuşturucu etkisi altındayken çalıştırmayın.**
- **Tehlikeli ortamlarda kullanmayın.** Yanıcı maddelerin yakınında, nemli veya ıslak yerlerde kullanmayın veya yağmura maruz bırakmayın.
- **Kesinlikle 304,8 mm'den (12") kısa malzemeyi planya ile düzleştirmeyin.**
- **Egzoz borusu: enerji kesildikten ve kesici kafa dönmeyi bıraktıktan sonra talaşı fırça veya vakum ile temizleyin.**
- **İş parçasının herhangi bir sıkışmasını veya engele karşı takılmasını önlemek için planyayı daima ünitenin dışarı besleme tarafında yerleştirin.**
- **Özellikle yoğun kullanımdan sonra aletinizi daha sık temizleyin.** Metal içeren toz ve parçacıklar iç yüzeylerde sıkça birikerek ciddi yaralanmaya ve elektrik çarpmaya tehlikesine neden olabilir.
- **DAİMA GÜVENLİK GÖZLÜĞÜ KULLANIN.**

**UYARI:** Kendi güvenliğiniz için bu makineyi iki kişinin taşınması önerilir, aksi takdirde ciddi yaralanmalar meydana gelebilir.

- **Havalandırma delikleri sıklıkla hareketli parçaların üstünü örterler ve bunlardan kaçınılmalıdır.** Bol elbiseler ve takılar veya uzun saç hareketli parçalara takılabilir.

**UYARI:** 30mA veya daha düşük kaçak akım değerine sahip bir kaçak akım rölesi kullanılmasını öneriyoruz.



**UYARI:** Elektrikli zımparalama, kesme, taşlama, delme ve diğer imalat işlemlerinin ortaya çıkardığı bazı tozlar kansere, doğum hataları veya diğer üreme sorunlarına neden olduğu bilinen kimyasallar içerir. Bu kimyasallardan bazıları:

- kurşun bızlı boyalardaki kurşun,
- tuğla, çimento ve diğer duvar malzemelerinde bulunan kristalin silika ve
- kimyasal işleme tabi tutulmuş keresteden kaynaklanan arsenik ve krom.

Bunlara maruziyetinizden kaynaklanan risk, bu tip çalışmaları ne sıklıkla gerçekleştirdiğinize bağlı olarak değişir. Bu kimyasallara maruziyeti azaltmak için: iyi havalandırılmalı yerlerde çalışın ve mikroskopik partikülleri sızdırmayacak şekilde özel tasarlanmış toz maskeleri gibi onaylı güvenlik ekipmanlarını kullanın.

- Elektrikli zımparalama, kesme, taşlama, delme ve diğer imalat işlemlerinin ortaya çıkardığı tozlarla uzun süreli temasından kaçınmın. Koruyucu giysiler giyin ve maruz kalan alanları sabun ve su ile yıkayın. Tozun ağız ve gözlerinize girmesine veya cildiniz üzerinde birikmesine izin vermek zararlı kimyasalların emilmesine neden olabilir.

## Elektrik Güvenliği

Den elektriska motorn har konstruerats för endast en spänning. Kontrollera alltid att strömförsörjningen motsvarar spänningen på klassificeringsplattan.



DEWALT aletiniz EN60745 standardına uygun olarak çift yalıtımlıdır; bu nedenle, topraklama kablosuna gerek yoktur.

Elektrik kablosu hasar görürse, yalnızca DEWALT veya yetkili bir servis tarafından değiştirilmelidir.

## Uzatma Kablolarının Kullanımı

Uzatma kablosu kullanılması gerekiyorsa bu aletin giriş gücüne (**Teknik Özellikleri** bakın) uygun onaylı bir 3 damarlı uzatma kablosu kullanın. Minimum iletken boyutu 1,5 mm<sup>2</sup>'dir; maksimum uzunluk 30 m'dir.

Bir kablo makarası kullanırken, kabloyu daima sonuna kadar açın.

## Ambalaj İçeriği

Ambalaj şunları içerir:

- 1 Planya
- 1 Yuvarlak toz portu
- 1 T-anahtar (ünitenin üst kapağında bulunur)
- 1 Derinlik ayarı krank kolu
- 1 Krank kolu için altıgen vida
- 1 Kullanım kılavuzu
- Nakliye sırasında alet, parçalar ve aksesuarlarda hasar oluşup oluşmadığını kontrol edin.
- Çalıştırmadan önce bu kılavuzu iyice okuyup anlamak için zaman ayırın.

## Açıklama (Şek.A)

**!** **UYARI:** Hiçbir zaman elektrikli aleti veya herhangi bir parçasını değiştirmeyin. Hasar veya yaralanmayla sonuçlanabilir.

- 1 Planya
- 2 Yan taşıma kolları
- 3 Altlık kolları
- 4 Tezgah montaj delikleri
- 5 Krank kolu
- 6 Açma/kapama düğmesi

### Kullanım Amacı

Bu planya profesyonel ahşap işleri için tasarlanmıştır.

Islak koşullarda veya yanıcı sıvı ya da gazların mevcut olduğu ortamlarda **KULLANMAYIN**.

Bu planya, profesyonel kullanım amaçlı bir elektrikli alettir.

**ÇOCUKLARIN** alete erişmesine izin vermeyin. Bu alet deneyimsiz kullanıcılar tarafından kullanılırken nezaret edilmelidir.

- **Küçük çocuklar ve engelliler.** Bu cihaz yanlarında bir gözetmen olmadan küçük çocukların ve engellilerin kullanımına uygun değildir.
- Bu ürün, güvenliklerinden sorumlu kişinin gözetiminde olmadıklarında, fiziksel (çocuklar dahil), algısal veya zihinsel kapasite kaybı yaşamış deneyimsiz, bilgisiz ve yeteneksiz kişiler tarafından kullanılmalıdır. Çocuklar asla bu ürünle yalnız bırakılmamalıdır.

## MONTAJ VE AYARLAMALAR

**!** **UYARI:** Ciddi yaralanma riskini azaltmak için herhangi bir ayar yapmadan ya da parça veya aksesuarları söküp takmadan önce aleti kapatın ve güç kaynağından ayırın. Aletin yanlışlıkla çalıştırılması yaralanmaya neden olabilir.

**!** **UYARI:** Siperleri (7, Şekil B) çıkartmayın. Ciddi yaralanmalara neden olabilir.

## Planyanın Taşınması (Şek.A)

**!** **UYARI:** Kendi güvenliğiniz için, bu makineyi iki kişinin taşınması önerilir, aksi takdirde ciddi yaralanmalar meydana gelebilir.

Planya makinenizi hareket ettirirken, yan taşıma kollarından 2 ya da planya altlığındaki kolların 3 tutarak taşıyın.

## Tezgaha Montaj (Şek.A)

Tezgah montajını kolaylaştırmak için planyanızın dört köşesinde iki farklı boyutta delik 4 bulunmaktadır. Planyayı civatalarla monte ediyorsanız, daha büyük delikleri kullanın. Planyayı çivi veya vidalarla monte ediyorsanız, daha küçük delikleri kullanın. Her iki delik kümesinin birlikte kullanılması gerekmez.

Hareket etmesini önlemek için planyayı her zaman sağlam bir şekilde monte edin. Aletin taşınabilirliğini kolaylaştırmak için, 12,7 mm'lik bir parçaya veya daha sonra çalışma desteğinize kelepeçelenebilecek şekilde daha kalın bir kontrplağa

monte edilebilir veya diğer iş alanlarına taşınabilir ve yeniden kelepeçelenebilir.

**NOTE:** Planyayı bir kontrplak parçasına monte etmeyi tercih ederseniz, montaj vidalarının ahşabın altından çıkıntı oluşturmadığından emin olun. Kontrplak, çalışma desteği üzerine düzgünce oturmalıdır.

**!** **DİKKAT:** Montaj yüzeyi kıvrılmamalı veya başka şekilde dengesiz olmamalıdır.

## Derinlik Ayar Krank Kolunu Takmak İçin (Şek. C)

1. Krank kolu milindeki vidayı çıkarın.
2. Krank kolunu 5 mil üzerine takın.
3. Vida ve ürünle birlikte gelen T anahtarı 8 kullanarak yerine sabitleyin.

## Toz Atma Portları (Şek.D)

Planyanız bir toz çıkış portu ile birlikte gelir. Buradaki port 9 Şekil. F'de gösterildiği gibi 100 mm toz toplama hortumuyla kullanım içindir.

## Toz Çıkış Ayarı (Şek.D)

**!** **UYARI:** Planya makinenizi, toz çıkış portu yerine kilitlemeden kullanmayın. Planyanın fişi çekilmeden ve ünitedeki tıkanıklık veya engeller temizlenmeden, toz boşaltma borusuna hiçbir şey sokmayın. Planya çalışırken, yüzünüzü veya gözlerinizi toz çıkış portuna yaklaştırmayın. Ciddi yaralanmalara neden olabilir.

**!** **UYARI:** Talaşlar büyük bir hızla tahliye edilebilir. Ellerinizi ve yüzünüzü toz çıkış portundan uzak tutun.

1. Portu 9 seçin.
2. Talaş boşaltma borusu 10 üzerindeki kilitleme düğmesine 11 basın.
3. Toz portundaki çentikleri, talaş boşaltma borusundaki pimlerin üzerine kaydırın.
4. Düğme toz boşaltma borusuna oturana ve yerine kilitlene kadar portu çevirin.

## Toz Çıkış Portunu Çıkartmak (Şek.D)

1. Toz boşaltma borusu üzerindeki kilitleme düğmesine 11 basmak için T anahtarı kullanın.
2. Pimler porttaki çentiklerden ayrılana kadar portu çevirin.
3. Toz boşaltma portunu toz borusundan çekerek çıkartın.

## Derinlik Ayarlama (Şek. E)

### Derinlik Ayarlama Ölçeği (Şek. E)

Planyanızın sağ ön tarafında bulunan derinlik ayar ölçeği 14 iş parçanızın bitmiş kalınlığını gösterir. Derinlik ayar krank kolunun her bir dönüşü 1,6 mm'ye eşittir, yarım dönüş 0,8 mm'ye eşittir vb.

### Derinlik Ayarlama Krank Kolu

Krank kolunun saat yönünde döndürülmesi kesici kafasını açaltır. Krank kolunun saatin tersi yönde döndürülmesi kesici kafasını yükseltir.



## Döner Başlı Durdurucu (Şek.F)

Planya makinenizde, birden fazla tahtayı önceden ayarlanmış derinliğe planyalamak için bir döner başlı durdurucu **17** mevcuttur. Durma yerleri 3 mm, 6,5 mm, 12,7 mm, 319 mm, 25,5 mm ve 32 mm olarak ayarlanmıştır.

### Taşıyıcının Döner Başlı Durdurucuyla Gidebileceği Minimum Derinliği Ayarlamak

1. Döner durdurucuyu ayarlamaya çalışmadan önce taşıyıcının 32 mm'nin üzerinde olduğundan emin olun.
2. İstenen kalınlık ayarı kırmızı gösterge ile aynı hizaya gelinceye kadar planyanın sol önündeki kadranı çevirin, ardından taşıyıcıyı indirin.
3. Doğru nihai kalınlığa ulaşıncaya kadar iş parçasını istenen aralıklarla planyalayarak düzleştirin.

**NOTE: Taşıyıcıyı, döner başlı durdurucunun gösterdiği seviyenin altına kaldırmak için güç kullanmayın. Bunun sonucunda, planyanızdaki yükseklik ayar sisteminde kalıcı hasar meydana gelebilir.**

## KULLANMA

### Kullanma Talimatları



**UYARI:** Güvenlik talimatlarına ve geçerli yönetmeliklere daima uyun.



**UYARI:** Ciddi yaralanma riskini azaltmak için herhangi bir ayar yapmadan ya da parça veya aksesuarları söküp takmadan önce aleti kapatın ve güç kaynağından ayırın. Aletin yanlışlıkla çalıştırılması yaralanmaya neden olabilir.

### Açma/Kapatma Düğmesi (Şek.G)

Planya makinesini açmak için düğmeyi **12** yukarı kaldırın. Planya otomatik olarak kilitletir. Aleti kapatmak için ise, düğmeyi aşağıya bastırın. Aleti kilitlemek için düğmenin altında kilit takılabilecek bir delik **13** bulunur.

### Hız Ayarı (Şek.H)

**NOTE: Hızları sadece planya çalışırken değiştirin.**

Planyanız, malzemeyi iki farklı hızda besleme özelliğine sahiptir. İki hızlı özellik **16** planyalama sırasında verimliliği artırmak ve çeşitli malzemelere mümkün olan en iyi yüzey kalitesini sağlamak için tasarlanmıştır.

Malzeme kalınlığını daha hızlı kaldırmak için, üniteyi "2" hızına ayarlayın. Bu ayar, malzemedede inç başına 96 kesim yapar.

Son işlem için, üniteyi "1" hızına ayarlayın. "1" hızı, nihai kalınlığınıza ulaşmadan önce son geçişte en iyi son işlemi sağlamak için idealdir.

**NOTE:** Özellikle sert veya figürlü ahşap türlerinde planyalama sırasında hız "1" tavsiye edilir. Yavaş besleme hızı, malzemeye inç başına 179 kesim uygulayarak bıçak aşınmasını ve yıpranmayı azaltır.

## Malzeme Kaldırma Göstergesi (Şek.I)

Planyaya bir malzeme kaldırma göstergesi **15** mevcuttur. Taşıyıcı mevcut yüksekliğinde ayarlanmışken bir geçişte çıkarılacak ahşap miktarını belirtmek için kullanılır.

### Malzeme Kaldırma Göstergesinin Kullanılması

1. Malzemenin yaklaşık 75 mm kısmını taşıyıcının orta kısmının altına kaydırın.
2. Ahşabın planya tabanına yaslandığından emin olun. Malzeme belirli bir açıyla yerleştirilirse, okunan değer yanlış olabilir.
3. Malzeme çıkarma çubuğu ahşap ile temas edene kadar taşıyıcıyı malzemenin üzerine doğru çevirin. Kırmızı okun, taşıyıcı ile o yükseklikte çıkarılacak malzeme miktarını belirten ölçeği göstermek üzere yukarı doğru hareket etmeye başladığını göreceksiniz.
4. Taşıyıcı yüksekliğini, göstergede istenen kesme derinliği görünene kadar ayarlayın.
5. Malzemeyi taşıyıcının altından dışarı çekin.
6. Üniteyi çalıştırın ve malzemenizi kesici kafaya iletin.

**NOT:** Malzeme çıkarma göstergesinde önerilen çeşitli malzeme genişlikleri için belirtilen kesim derinliğini aşmayın.



**UYARI:** Üniteyi, taşıyıcının altında malzeme yerleştirilmiş şekilde ÇALIŞTIRMAYIN. Ciddi yaralanmalara neden olabilir.

## Temel Planyalama Bilgileri

### Doğru Planlayama Tekniği



**UYARI:** Üniteyi, malzeme taşıyıcının altında önceden yerleştirilmiş şekilde ÇALIŞTIRMAYIN. Malzemenizi makineye yönlendirmeden önce silindirlerin ve kesici kafanın tam hıza gelmesini bekleyin.

### Malzemenizi Planyalamak İçin

1. İlk geçişiniz için taşıyıcıyı istediğiniz yüksekliğe indirin.
2. Üniteyi çalıştırın ve malzemenizi besleme silindirlerine iletin.
3. Bitmiş kesimi inceleyin ve taşıyıcıyı bir sonraki geçişiniz için uygun yüksekliğe ayarlayın.

**NOTE:** Tahtayı her geçiş arasında ileri geri çevirin.

İlave bilgi için **Sorun Giderme Kılavuzuna** bakın.

En iyi sonuçlar için, istenen kalınlığa erişene kadar iş parçasının her iki tarafını da planyalayın. Örneğin, iş parçasınızdan 3 mm çıkartmanız gerekirse, her iki taraftan 1,6 mm çıkarın. Bu, iş parçasının sadece nem içeriği ile kurummasını sağlamakla kalmaz, aynı zamanda daha ince kesimler de sağlar.



**UYARI:** Sadece yabancı cisimlerden arındırılmış, gevşek budak bulunmayan ve mümkün olduğunca az sayıda sıkı budak içeren ahşabı planyalayın. Aşırı derecede eğri, kıvrılmış, budaklı veya bükülmüş ahşap malzemeyi planyalamayın.



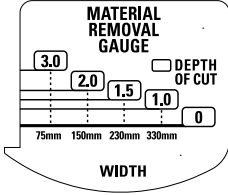
**UYARI:** Vücudunuz, malzeme beslenirken planya makinesinin arkası ile sabit bir nesnenin arasında olmasın. Ciddi yaralanmalara neden olabilir.

## Minimum/Maksimum Genişlik/Yükseklik/Derinlik

**NOTE:** İş parçasını ağaç damarı yönünde planyalayın. Üzerinde çalıştığınız parçayı her zaman yeteri kadar destekleyin. Genişliği 19 mm'nin altındaki malzemelerin planyalanması önerilmez. Dar malzemeyi planyalamanız gerekiyorsa, birkaç parçayı birlikte gruplayın ve mümkün olduğunda bunları geniş bir iş parçası olarak düzleştirin.

Planya makinenizin bir seferde yapabileceği maksimum kesme derinliği 3 mm'dir [152 mm'den daha geniş malzeme üzerinde]. Planyanızı daha derin bir kesim yapmak için keskinlikle modifiye etmeye çalışmayın. En iyi sonuçlar için Tablo A'daki önerilen kesme derinliği/genişliği kılavuzlarına bakın.

TABLO A



## Kesme defosu

Kesme defosu, malzemenizin desteklenmeyen bir ucu zemine doğru düştüğünde, zıt ucun kesici kafanın içine yükselmesine neden olduğunda yapılan bir çöküntüdür.

## Kesme Defosunu Önlemek için

İş parçasını planyaya düz olacak ve her zaman tabana aynı hizada kalacak şekilde besleyin.

İş parçasını, planya arkasından alarak veya "yakalayarak" planya işlemi boyunca düz tutun.

Özellikle uzun malzeme planyalyorsanız, ek malzeme desteği kullanılması önerilir.

## Kıvrılmış, Bombeli ve Eğilmiş Ahşap (Şek.J)

Malzemenizin her iki tarafı da çok pürüzlü ise veya malzeme kıvrılmış, eğilmiş veya bükülmüşse, planyanız istenen sonucu vermeyebilir. İdeal olarak, planyalama öncesinde malzemenizde en az bir düz kısım/yüzey olmalıdır. Kalınlık planyanız, en iyi şekilde, en az bir düz yüzey üretmek için bir birleştirici içinden geçirilen malzeme ile çalışır. En az bir tane düz yüzeyiniz veya bir birleştiriciniz yoksa, aşağıdaki önerilere bakın.

## Bükülmüş Ahşabı Planyalamak için (Şek.K)

**UYARI:** Bükülmüş ahşap, kalınlık planyanız sıkışabilir. Bir sıkışma olursa, gücü keserek kapatın, güç kaynağını kesin ve malzemeyi kesiciden çıkarmak için taşıyıcıyı kaldırın.

Malzemeniz sadece biraz bükülmüşse:

İstenen kalınlığa ulaşana kadar her iki tarafı birinden diğerine dönüşümlü olarak planyalayın.

## Bombeli Ahşabı Planyalamak için (Şek.L)

Bombeli ahşap ile mümkün olan en iyi sonuçları elde etmek için: Malzemeyi ortadan ikiye ayırın ve iki ayrı parça olarak planya uygulayın.

Malzemenin ikiye ayrılması bombenin etkisini azaltır ve makinenin daha iyi sonuçlar vermesini sağlar. İstene kalınlığı elde etmek için normal tahtada olduğundan daha fazla malzeme çıkarmak zorunda kalacağınızı unutmayın.

## Malzemeyi Ayırmak Bir Seçenek Değilse

Malzemenin bir tarafını düzleşene kadar planyalayın, ardından karşı tarafı da düz olana kadar planyalayın.

**NOTE:** Ahşapta bombe varsa, tahtayı her geçiş arasında ileri geri çevirmeyin.

## Eğilmiş Ahşabı Planyalamak için (Şek.L)

Planya makinenizdeki besleme silindirleri ve kesici kafa, beslenirken eğriliği malzemenin dışarı atar. Bununla birlikte, malzeme planyadan çıktığında, makaraların ve kesici kafanın basıncı, ahşabın tekrar eğik bir biçime geri dönmesine izin verecek şekilde salınır. Eğriliği düzgün şekilde gidermek için bir birleştirici kullanın. EĞRİ AHŞAP, BESLEME SİLİNDİRLERİ VE KESİCİ Kafa TARAFINDAN DÜZLEŞTİRİLİR FAKAT AHŞAP PLANYALANDIKTAN SONRA EĞRİLİK GERİ DÖNER (Şek.M)

## BAKIM

Elektrikli aletiniz minimum bakımla uzun bir süre çalışacak şekilde tasarlanmıştır. Kesintisiz olarak memnuniyet verici bir şekilde çalışması gerekli özenin gösterilmesine ve düzenli temizliğe bağlıdır.



**UYARI:** Ciddi yaralanma riskini azaltmak için herhangi bir ayar yapmadan ya da parça veya aksesuarları söküp takmadan önce aleti kapatın ve güç kaynağından ayırın. Aletin yanlışlıkla çalıştırılması yaralanmaya neden olabilir.

## Periyodik Bakım

1. Aleti hasar veya kırılmış parçalar açısından düzenli olarak kontrol edin.
2. Üst kapağı, toz örtüsünü ve planyalama sonucu toplanan toz ve talaş artıklarının ulaşabileceği tüm alanları temizleyin.
3. Giriş ve çıkış silindirlerini silin.
4. Taban tezgahını temizleyin. Hafif mumlama, ahşap malzemenin planyadan geçmesine yardımcı olur.
5. Bıçak keskinliğinin yeterli olup olmadığını değerlendirin. Gerekirse değiştirin.
6. Gösterge Kalibrasyonu, Kalınlık Gösterge Kalibrasyonunu ve döner durdurucu kalibrasyonunu kontrol edin.
7. Fırçaları aşınma açısından kontrol edin ve gerekirse değiştirin.

## Planya Bıçaklarının Değiştirilmesi veya Döndürülmesi



**UYARI:** Ciddi yaralanma riskini azaltmak için, bıçakları değiştirmeye ya da onlara temas etmeye çalışmadan önce planyayı güç kaynağından ayırın. Kazara çalıştırma yaralanmaya neden olabilir.

## Planya Bıçaklarının Değiştirilmesi (Şek.N-S)

1. Planyanın üstündeki dört vidayı çıkarmak için T-anahtarını kullanın.

2. Üst kısmını kaldırın (Şek.N) ve bir kenara koyun.
3. Toz örtüsünü kesici kafanın üzerine tutturun üç kanatlı somunu çıkarın.
4. Toz örtüsünü, fan muhafazasına kilitleyen yuvarlak bağlantı açık konumda olacak şekilde yukarı doğru döndürün (Şek. O).
5. Toz örtüsünü fan muhafazasından ayrılacak şekilde sola doğru itin.
6. Toz örtüsünü üniteden çıkarın (Şek.P) ve bir kenara koyun.
7. Kesici kafa şimdi açığa çıkmıştır. Kesici kafa kelepçesindeki sekiz vida görünmüyorsa, kesici kafayı dikkatlice döndürmek için bir parça tahta parçası kullanın (Şek. Q) böylece vidalara erişilebilir ve kesici kafa kilitleme kolu **18** devreye girer. Bu, bıçakları değiştirirken kesici kafanın daha fazla dönmelerini önler.

**! UYARI: Parmaklarınızı daima kesici kafadan uzak tutun. Bıçakları tutmak için verilen aleti kullanın.**

8. Bıçak kelepçesindeki sekiz vidayı sökmek için T-anahtarını kullanın ve bunları planya ön panelindeki küçük vida bölmesine **19** koyun (Şek. R).
9. Bıçak kelepçesini çekmek ve kesici kafasından kaldırmak için T anahtarının üstündeki mknatısları kullanın. Bıçaklardan biri şimdi açığa çıkmış olmalıdır.
10. Bıçağı çekmek için T anahtarının üstündeki mknatısı **20** kullanın (Şek.Q). Bıçağa parmaklarınızla dokunmaktan kaçının.

**NOTE:** Bıçağı takmadan önce, kesici kafada ve bıçakta kir bulunmadığından emin olun, gerekirse temizleyin.

### Bıçağın Sadece Bir Tarafı Aşınmışsa

1. Bıçağı etrafında döndürün, böylece keskin, kullanılmayan kenar, kesici kafanın ucuna ve malzemeyi keseceği yerin üzerine gelir. Bıçaktaki uzanlamasına delikleri, kesici kafadaki pimlerin üzerine ayarladığınızdan emin olun.
2. Bıçak kelepçesini bıçağın üzerine yerleştirin. Kelepçedeki eğri kesimli kenarı bıçağın keskin, kesici kenarıyla hizladığınızdan emin olun. Bunlar doğru şekilde hizalanmazsa kelepçe, bıçağı doğru şekilde sabitlemez.
3. Vidaları kelepçeye takın ve yeterince sıkın.

**NOTE:** Tüm vidaların yeterince sıkıldığından emin olun.

### Diğer İki Bıçağa Erişmek İçin

1. Kesici kafa kilitleme kolunu **18** Şek.Q'da gösterildiği gibi bastırın.
2. Kesici kafa, bir başka bıçak kelepçesini ortaya çıkaracak şekilde yerine kilitleneneye kadar dikkatlice döndürmek için bir hurda tahta parçasını kullanın.
3. Yukarıda belirtilen aynı bıçak değiştirme prosedürünü izleyin.
4. Son körelmiş bıçak için yapılan prosedürü tekrarlayın.

### Yeni Bıçaklar Takıldıktan Sonra

1. Toz örtüsünün yuvarlak ucunu fan muhafazasına yerleştirin ve yerine kilitlemek için aşağı doğru döndürün.
2. Üç kanatlı somunu örtüye geri yerleştirin.
3. Planya üst kapağını üniteye tekrar vidalayın.

**NOTE:** Üst kapak doğru yerleştirilmezse planya çalışmaz.

## Fırça Değişimi (Şek.T, U)

Planyanızda, motorun dışında fırça kapakları **21** bulunmaktadır. Fırçalarınızın değiştirilmesi gerekiyorsa, DeWALT servis merkezinden veya DeWALT ürünlerine servis yetkisi bulunan bir satıcıdan yeni bir set alarak başlayın. Sadece orijinal DeWALT fırçaları kullanın.

### Planyadaki Fırçaları Değiştirmek İçin (Şek.T, U)

1. Planya üzerindeki üst kapağı ve fırça kapağı koruyucuyu çıkartmak için T-anahtarını kullanın.
2. Ünitenin arkasında sağ tarafta bulunan fırça kapağını **22** çıkartmak için düz uçlu bir tornavida kullanın.
3. Planya kapağının içinde, motorun yanında bulunan fırça kapağı için de aynı işlemi yapın.
4. Yeni fırçaları fırça tutucularına yerleştirin.
5. Fırçaları taktıktan sonra üst kapağı ve fırça kapağı koruyucuyu geri takın.
6. Planyayı kullanmadan önce, yeni fırçaların oturması için üniteyi 10 dakika çalıştırın.

**NOTE:** Mevcut fırçaların değiştirilmesi gerekmiyorsa, yeniden takarken aynı yönde yerleştirdiğinizden emin olun.

## Derinlik Ayarlama Ölçeğini Kalibre Etme (Şek.V)

Planyanızdaki derinlik ayarlama ölçeği **14** fabrikada ayarlanır. Bununla birlikte, uzun süre kullanımın ardından derinlik ayar ölçeği yanlış bir ölçüm gösterebilir.

Derinlik ayar ölçeğini kontrol etmek için, bir parça hurda ahşabı derinlik ayar ölçeğindeki değere dikkat ederek planyalayın. İş parçasının işlenmiş kalınlığını ölçün. İş parçasının kalınlığı, derinlik ayar ölçeğindeki değer ile aynı değilse, kırmızı göstergedeki iki vidayı **23** gevşetin. İbreyi, bu değer iş parçasının işlenmiş kalınlığıyla eşleşene kadar yukarı veya aşağı doğru ayarlayın. Vidaları iyice sıkın.

## Aıtlık Ayarı

Tezgahta temiz, yağ, gres ve kir olmamasını sağlayın. Tezgahın pürüzsüz bir yüzey elde etmesini sağlamak için macun sürün.

## Devre Kesici Sıfırlama Düğmesi (Şek.W)

Planyanızda 18 amperlik bir devre kesici mevcuttur. Planyanızda aşırı yük varsa ve çalışmayı durdurursa, planyayı kapatın, bu şekilde 2 dakika bekleyin ve çalışmaya devam etmeden önce sıfırlama düğmesine **24** basın.

**! UYARI:** Devre kesicinin devreye girmesiyle güç kesilirse planyanın beklenmedik şekilde çalışmaya başlamasına önlemek için, gücü geri vermeden önce düğmenin KAPALI konumunda olduğundan emin olun.

**NOTE:** Devre kesicinin aşırı yüklenmesi genellikle körelmiş bıçakların sonucudur. Devre kesicinin etkinleşmesini önlemek için bıçaklarınızı düzenli aralıklarla değiştirin. Devre kesiciyi yeniden ayarlamadan ve planyalamaya devam etmeden önce bıçaklarınızı kontrol edin.

Devre kesicinin etkinleşmesiyle ilgili ilave bilgi için bkz. **Sorum Giderme Kılavuzu**.

## Tahrik Kayışının Değiştirilmesi

Tahrik kayışları, DEWALT yetkili servis merkezlerinden ek ücrete tabi olarak edinilebilir. Tahrik kayışının değişimi yetkili servis personeli tarafından yapılmalıdır.

## Talaş Boşaltma Fanı (Şek. N–P, X)

Planlayıcınızdaki talaş boşaltma fanı periyodik olarak temizlenmeli veya kirden arındırılmalıdır.

**UYARI:** Talaş boşaltma fanına erişmeden önce planyayı kapatın ve fişini çekin.

### Fana Erişmek İçin

1. Planya üst kapağını T-anahtarla sökün.
2. Toz örtüsünü çıkartın (Şek.N-P) ve bir kenara koyun.
3. Vidaları sökün ve fan muhafazasının çevresindeki talaşları temizleyin.
4. Fan muhafazasını çıkartın ve gösterildiği gibi bir kenara koyun. Fan artık temizlik için açığa çıkar.

İlave bilgi için **Sorum Giderme Kılavuzuna** bakın.

**UYARI:** Planyayı tekrar kullanmadan önce fan muhafazasını uygun şekilde taktığınızdan, örtüyü ve üst kapağı doğru yerleştirdiğinizden emin olun.



## Temizleme

**UYARI:** Havalandırma deliklerinde ve etrafında toz toplanması halinde bu tozu ve kiri kuru hava kullanarak ana gövdeden uzaklaştırın. Bu işlemi gerçekleştirirken onaylı bir göz koruması ve onaylı toz maskesi takın.

**UYARI:** Aletin metalik olmayan parçalarını temizlemek için asla gözücü veya başka sert kimyasal kullanmayın. Bu kimyasallar bu parçalarda kullanılan malzemeleri güçsüzleştirir. Yalnızca su ve yumuşak sabunla namlendirilmiş bir bez kullanın. Aletin içine herhangi bir sıvının girmesine izin vermeyin; aletin herhangi bir parçasını bir sıvı içine daldırmayın.

## İlave Aksesuarlar

**UYARI:** DEWALT tarafından tedarik veya tavsiye edilenlerin dışındaki aksesuarlar bu ürün üzerinde test edilmediğinden, söz konusu aksesuarların bu aletle birlikte kullanılması tehlikeli olabilir. Yaralanma riskini azaltmak için bu ürünle birlikte sadece DEWALT tarafından tavsiye edilen aksesuarlar kullanılmalıdır.

Uygun aksesuarlarla ilgili daha fazla bilgi almak için satış noktalarıyla görüşün.

DW735 Kalınlık Planyası için dört aksesuar mevcuttur.

- DW7350 Mobil Altık
- DW7351 Katlanır Tezgahlar
- DW7352 325 mm Bıçaklar
- DW7353 Talaş Çıkartma Aksesuarı

**NOTE:** Helisel kesici kafalar bu ürünle test edilmemiştir ve kullanılması tavsiye edilmez.

## DW7351 Aksesuar Katlanır Tezgahlar (Şek. Y)

**UYARI:** Kendi güvenliğiniz için tezgahlara montaj öncesinde aletin kullanma kılavuzunu okuyun. Bu uyarılara dikkat edilmemesi fiziksel yaralanmanın yanı sıra planya ve aksesuarın hasar görmesine neden olabilir. Bu alete bakım yaparken, yalnızca aynı yedek parçaları kullanın. Hasarlı kabloları yetkili bir servis merkezinden değiştirin.

DW7351 katlanır tezgah kutu aşağıdakileri içerir:

|                   |                   |
|-------------------|-------------------|
| 2 katlanır tezgah | 4 somun           |
| 4 kapak vidası    | 4 kademeli civata |
| 4 yay             |                   |

## Altık Donanımının Ayarlanması ve Kurulumu (Şek. Z–BB)

1. Planyanızı güvenli bir masaya veya tezgaha yerleştirin. Planyayı, altlığın 75-100 mm ön kısmına alttan erişilebilecek şekilde yerleştirin.
2. Masanın üzerine devrilmesini veya düşmesini önlemek için planyanın arka kısmını masaya/tezgaha çivi veya vidalarla sabitleyin.

**UYARI:** Planya, katlanır tezgahın kurulduğu ucun karşısına tam olarak sabitlenmemişse, devrilebilir veya masadan düşebilir. Ciddi yaralanmayla sonuçlanabilir.

3. Yaylı kademeli civatanın küçük ucuna yerleştirin.
4. Civatanın ucunu etrafındaki yay ile birlikte altlık tarafındaki daha büyük deliğe yerleştirin.
5. Kademeli civatayı planyanın alt tarafındaki ilk kırışte bulunan delikte sonuna kadar itin. Yay kırışe hafifçe oturmali ve dişler kırışin sağ tarafında görünmelidir.
6. Planya makinesinin alt kısmında, kademeli civatayı döndürerek somunu yerinde tutmak için bir anahtar kullanın. Kademeli civatayı tam olarak sabitlenene kadar döndürmek için 4 mm altıgen anahtar kullanılabilir (Şek. Z).
7. Küçük vidayı altlığın yanındaki alt dişli deliğe takın. Bağlantı elemanını iyice sıkılmak için 4 mm altıgen anahtar kullanın (Şek. AA).
8. Üst pimi altlıkla aynı hizada oluncaya kadar bastırın ve tezgahın üst deliğini pimin üzerine kaydıldıktan sonra pimi serbest bırakarak birbirlerine kilitlemelerini sağlayın (Şek. AA, BB).
9. Tezgahı planya makinesinin arkasına monte etmek için yukarıdaki prosedürü izleyerek civataları ve yayı takın.

Tezgahlarınız artık üst vidada yukarı ve aşağı katlanmalı ve planya yerindeyken alt vidaya oturtulmalıdır.

**NOTE:** Planyayı tezgahlarla taşımak için tezgahları yukarı katlayın ve üniteyi planya kılavuzunda tavsiye edildiği şekilde taşıyın.

**UYARI:** Kendi güvenliğiniz için, bu makineyi iki kişinin taşınması önerilir, aksi takdirde ciddi yaralanmalar meydana gelebilir.

## Tezgahların Çıkartılması

1. Yaylı civataları altlığa bastırın ve tezgahın her bir ucunu kendinize doğru kaydırarak tezgahlardaki deliklerden ayırın.

Tezgahları kolayca çıkarmak için civataları altlıkla aynı hizada itmek üzere planyanızdaki T-anahtarını kullanabilirsiniz.

- Tezgahları tekrar takmanız gerekene kadar donanımı (kademeli civatalar ve küçük kapak vidası) altlıkta bırakın.

## Çevrenin Korunması



Aynı toplama. Bu işaretlenmiş simgeyle ürün normal evsel atıklarla birlikte çöpe atılmamalıdır.

Bazı malzemeleri içeren ürün geri dönüştürülebilir veya geri kazanılabilir, bu da bazı hammaddeler için talebi azaltabilir. Lütfen elektrikli ürünleri yerel yasal mevzuata uygun şekilde geri dönüşüme tabi tutun. Daha ayrıntılı bilgiler [www.2helpU.com](http://www.2helpU.com) adresinde mevcuttur.

## Sorun Giderme Kılavuzu

### Ünite çalışmıyorsa, şunları kontrol edin:

- ünitenin prize takılı olup olmadığını.
- toz örtüsünün doğru şekilde yerleştirilmiş olup olmadığını.
- üst kapağın doğru şekilde yerleştirilmiş olup olmadığını.
- devre kesicinin sıfırlanması gerekip gerekmediğini.

### Malzeme düzgün beslenmiyorsa, şunları kontrol edin:

- toz örtüsünde aşırı tıkanma.
- besleme silindirlerinden aşırı yağ/kalıntı.
- aşırı bükülmüş, bombeli veya eğrilmiş malzeme.
- bozulmuş bir tahrik kayışı.

### Talaş ünitenin arkasından çıkıyorsa, şunları kontrol edin:

- toz örtüsünün doğru şekilde yerleştirilmiş olup olmadığını.
- toz örtüsü ve fanın tıkalı veya önu kapalı olup olmadığını.

### Devre kesici etkinleşirse:

- körelmiş bıçakları kontrol edin. Körelmiş bıçaklar motorun aşırı yüklenmesine neden olabilir.
- kesme derinliğini azaltın. Aşırı agresif bir kesme, motorun aşırı yüklenmesine neden olabilir.
- besleme hızını 4,3 m/dak (14 ft/dak) olarak ayarlayın. Besleme hızındaki bir azalma, motordaki yükü azaltacak ve devre kesicilerin etkinleşmesini önleyecektir.

### Şube (ev/dükkan) devre kesici sürekli tekrar etkinleşirse:

- planya ile devreyi paylaşan diğer cihazları fişten çekin veya kapatın VEYA planyayı başka bir şube devre üzerinde kullanın.
- körelmiş bıçakları kontrol edin. Körelmiş bıçaklar motorun aşırı yüklenmesine neden olabilir.
- kesme derinliğini azaltın. Aşırı agresif bir kesme, motorun aşırı yüklenmesine neden olabilir.
- besleme hızını 4,3 m/dak (14 ft/dak) olarak ayarlayın. Besleme hızındaki bir azalma, motordaki yükü azaltacak ve devre kesicilerin etkinleşmesini önleyecektir.

**NOTE:** Normal yük koşullarında bile, aynı şube devresindeki diğer elektrik yükleri devre kesicinin etkinleşmesine neden olabilir.

Sanayi ve Ticaret Bakanlığı tebliğince kullanım ömrü 7 yıldır.

### Türkiye Distribütörü

#### Stanley Black & Decker Turkey Alet Üretim San. Tic. Ltd.Şti.

AND Kozyatağı - İçerenköy Mah. Umud Sok. AND Ofis Sit. No: 10-12 / 82-83-84

Ataşehir/İstanbul, Türkiye

Tel: +90 216 665 2900

Faks: +90 216 665 2901

[www.dewalt.com.tr](http://www.dewalt.com.tr)

[info-tr@sbdinc.com](mailto:info-tr@sbdinc.com)

# DEWALT GARANTİ BELGESİ

## İTHALATÇI FİRMA

**Ünvanı** : STANLEY BLACK&DECKER TURKEY ALET ÜRETİM SAN. TIC. LTD.ŞTİ.  
**Adresi** : AND Kozyatağı - İçerenköy Mah. Umut Sok. AND Ofis Sit. No: 10-12 / 82-83-84  
 Ataşehir/İstanbul, TURKEY  
**Telefon No.** : 0216 665 29 00  
**Faks No.** : 0216 665 29 01  
**E-mail** : info-tr@sbdinc.com

STANLEY BLACK & DECKER TURKEY  
 AND KOZYATAĞI - İÇERENKÖY MAH. UMUT SOK. AND OFİS SİT. NO: 10-12 / 82-83-84  
 ATASEHIR/İSTANBUL, TÜRKİYE  
 T.C. İÇİŞİLER BAKANLIĞI  
 İÇİŞİLER BAKANLIĞI  
 İÇİŞİLER BAKANLIĞI

## ÜRÜNÜN

**Cinsi** :  
**Markası** : **DEWALT**  
**Modeli** :  
**Seri Numarası** :  
**Garanti Süresi** : 2 YIL  
**Azami Tamir Süresi** : 20 İŞ GÜNÜ

## SATICI FİRMANIN

**Ünvanı** :  
**Adresi** :  
**Telefon No.** :  
**Faks No.** :  
**Fatura Tarih ve No.** :  
**Ürün Teslim Tarihi** :  
**Ürün Teslim Yeri** :  
**Belgeyi Dolduranın Adı Soyadı** :

Kaşe - Yetkili İmza

## GARANTİ ŞARTLARI

- Garanti süresi, malın teslim tarihinden itibaren başlar ve 2 yıldır.
- Malın bütün parçaları dahil olmak üzere tamamı firmamızın garantisine kapsamındadır.
- Malın ayıplı olduğunun anlaşılması durumunda tüketicici, 6502 sayılı Tüketicici Korunması Hakkında Kanununun 11 inci maddesinde yer alan;
  - Sözleşmeden dönme,
  - Satış bedelinden indirim isteme
  - Ücretsiz onarılmasını isteme
  - Satılanın ayıpsız bir misli ile değiştirilmesini isteme,
 haklarından birini kullanabilir.
- Tüketicinin bu haklardan ücretsiz onarım hakkını seçmesi durumunda satıcı; işçilik masrafı, değiştirilen parça bedeli ya da başka herhangi bir ad altında hiçbir ücret talep etmeksizin malın onarımını yapmak veya yaptırmakla yükümlüdür. Tüketicici ücretsiz onarım hakkını üretici veya ithalatçıya karşı da kullanabilir.  
 Satıcı, üretici ve ithalatçı tüketicinin bu hakkını kullanmasından müteselsilen sorumludur.
- Tüketicinin, ücretsiz onarım hakkını kullanması halinde malın;
  - Garanti süresi içinde tekrar arızalanması,
  - Tamiri için gereken azami sürenin aşılması,
  - Tamirinin mümkün olmadığının, yetkili servis istasyonu, satıcı, üretici veya ithalatçı tarafından bir raporla belirlenmesi
 durumlarında; tüketicici malın bedel iadesini, ayıp oranında bedel indirimi veya imkan varsa malın ayıpsız misli ile değiştirilmesini satıcıdan talep edebilir.
- Satıcı, tüketicinin talebini reddedemez. Bu talebin yerine getirilmemesi durumunda satıcı, üretici ve ithalatçı müteselsilen sorumludur.
- Malın tamir süresi 20 iş gününü geçemez. Bu süre, garanti süresi içerisinde mala ilişkin arızanın yetkili servis istasyonuna veya satıcıya bildirim tarihinde, garanti süresi dışında ise malın yetkili servis istasyonuna teslim tarihinden itibaren başlar. Malın arızasının 10 iş günü içerisinde giderilmesinde halinde, üretici veya ithalatçı; malın tamiri tamamlanmaya kadar, benzer özelliklere sahip başka bir malı tüketicinin kullanımına tahsis etmek zorundadır. Malın garanti süresi içerisinde arızalanması durumunda, tamirde geçen süre garanti süresine eklenir.
- Malın kullanma kılavuzunda yer alan hususlara aykırı kullanılmasından kaynaklanan arızalar garanti kapsamı dışındadır.
  - Garanti kapsam şartları ;
  - Ürün hatalı kullanılmamıştır.
  - Ürün yıpranmamış, hırpalanmamış ve aşınmamıştır.
  - Yetkili olmayan kişilerce tamire çalışmamıştır.
  - Satın alma belgesi (fatura) ibraz edilmiştir.
  - Ürün, tüm orijinal parçaları ile iade edilmiştir.
- Tüketicici, garantiden doğan haklarının kullanılması ile ilgili olarak çıkabilecek uyuşmazlıklarda yerleşim yerinin bulunduğu veya tüketicici işleminin yapıldığı yerdeki Tüketicici Hakem Heyetine veya Tüketicici Mahkemesine başvurabilir.
- Satıcı tarafından bu Garanti Belgesinin verilmemesi durumunda, tüketicici Gümrük ve Ticaret Bakanlığı Tüketicinin Korunması ve Piyasa Gözetimi Genel Müdürlüğüne başvurabilir.

EEE Yönetmeliğine uygundur.

# KULLANMA KILAVUZU İÇİN EK BİLGİLER

-Taşıma ve nakliye sırasında dikkat edilecek hususlar;  
Cihazı taşıma ve nakliye esnasında hasar verecek şekilde taşınmamalı, bir yerden bir yere fırlatılmamalı, istifleme yapılırken dikkat edilmeli.

-Gümrük ve Ticaret Bakanlığı uyarınca belirlenen kullanım ömürleri aşağıdaki gibidir;

|                     |       |
|---------------------|-------|
| Testere Makineleri  | 7 yıl |
| Polisaj Makineleri  | 7 yıl |
| Matkaplar           | 7 yıl |
| Vidalama Makineleri | 7 yıl |
| Zımpara Makineleri  | 7 yıl |

-Malın ayıplı olduğunun anlaşılması durumunda tüketici, 6502 sayılı Tüketici Korunması Hakkında Kanununun 11 inci maddesinde yer alan;

a- Sözleşmeden dönme,

b-Satış bedelinden indirim isteme

c-Ücretsiz onarılmasını isteme

d-Satılanın ayıpsız bir misli ile değiştirilmesini isteme,

haklarından birini kullanabilir.

-Tüketici, garantiden doğan haklarının kullanılması ile ilgili olarak çıkabilecek uyuşmazlıklarda yerleşim yerinin bulunduğu veya tüketici işleminin yapıldığı yerdeki Tüketici Hakem Heyetine veya Tüketici Mahkemesine başvurabilir.

# ПОРТАТИВНИЙ РЕЙСМУСОВИЙ СТАНОК 325 ММ ДЛЯ ВАЖКИХ РЕЖИМІВ РОБОТИ DW735

## Вітаємо вас!

Ви обрали інструмент виробництва компанії DEWALT. Ретельна розробка продукції, багаторічний досвід фірми у виробництві інструментів, різні вдосконалення, все це зробило інструменти DEWALT є одними із найнадійніших помічників для тих, хто використовує електричні інструменти у своїй професії.

## Технічні дані

|                                                          |                    | DW735                    |
|----------------------------------------------------------|--------------------|--------------------------|
| Напруга                                                  | $V_{AC}$           | 230-240                  |
| Вхідна потужність                                        | Вт                 | 1800                     |
| Частота обертання в режимі холостого ходу/номінальна     | хв. <sup>-1</sup>  | 10000                    |
| Час роботи/відпочинку                                    | хв.                | 1/3                      |
| Швидкість подачі                                         | м/хв.<br>(фут/хв.) | 4,3 (14) або 7,0<br>(26) |
| Висота різання (макс.)                                   | мм (")             | 152 (6)                  |
| Ширина різання (макс.)                                   | мм (")             | 330 (13)                 |
| Макс. глибина різання для макс. ширини дошки 152 мм (6") | мм (")             | 3 (1/8)                  |
| Маса                                                     | кг                 | 42,6                     |
| $L_{PA}$ (рівень тиску звукового випромінювання)         | дБ(A)              | 95                       |
| $K_{PA}$ (похибка звукового тиску)                       | дБ(A)              | 3,3                      |
| $L_{WA}$ (рівень звукового тиску)                        | дБ(A)              | 108                      |
| $K_{WA}$ (похибка акустичної потужності)                 | дБ(A)              | 3,7                      |

Значення вібрації та/або шуму, наведене в цьому документі, було виміряне згідно зі стандартизованим тестом, викладеним в EN60745 та може використовуватись для порівняння інструментів. Це значення вібрації можна також використовувати для попередньої оцінки впливу вібрації.

**⚠ ОБЕРЕЖНО:** Заявлене значення вібрації та/або шуму відповідає вимогам цільового використання інструмента. Однак якщо інструмент використовується для виконання інших завдань, або з іншими витратними матеріалами/насадками, або не обслуговується належним чином, значення вібрації та/або шуму може відхилитися. Це може значно збільшити рівень впливу протягом усього періоду роботи.

Оцінка рівня впливу вібрації та/або шуму має враховувати час, протягом якого інструмент є вимкненим, а також час, протягом якого він є ввімкненим, але не використовується. Це може

значно зменшити рівень впливу протягом усього періоду роботи.

Визначення додаткових заходів безпеки для захисту оператора від впливу вібрації та/або шуму: технічне обслуговування інструмента та приладдя, утримання рук у теплі (має значення для вібрації), організація режиму роботи.



**ПОПЕРЕДЖЕННЯ:** Уважно прочитайте керівництво з експлуатації для зниження ризику отримання травм.

## Позначення: інструкції з техніки безпеки

Умовні позначення, наведені нижче, описують рівень важливості кожної попереджувальної вказівки. Прочитайте керівництво з експлуатації та зверніть увагу на символи, наведені нижче.

**⚠ НЕБЕЗПЕЧНО:** Вказує на безпосередню загрозу, яка, якщо її не уникнути, призведе до смерті або серйозної травми.

**⚠ ПОПЕРЕДЖЕННЯ:** Вказує на потенційну загрозу, ігнорування якої може призвести до смерті або серйозної травми.

**⚠ УВАГА:** Вказує на потенційну загрозу, ігнорування якої може призвести до травми легкої або середньої тяжкості.

**ПРИМІТКА:** Вказує на ситуацію, не пов'язану з особистою травмою, ігнорування цієї ситуації може призвести до пошкодження майна.



Вказує на ризик ураження електричним струмом.



Вказує на ризик виникнення пожежі.

## ЗАГАЛЬНІ ПРАВИЛА БЕЗПЕКИ ПРИ ЕКСПЛУАТАЦІЇ ЕЛЕКТРИЧНОГО ІНСТРУМЕНТА

**⚠ ПОПЕРЕДЖЕННЯ:** Ознайомтеся з усіма попередженнями, інструкціями з техніки безпеки, зображеннями та специфікаціями, які поставляються з даним електричним інструментом. Невиконання нижченаведених інструкцій може призвести до ураження електричним струмом, пожежі та/або серйозних тілесних ушкоджень.

## ЗБЕРІГАЙТЕ ВСІ ПОПЕРЕДЖЕННЯ ТА ІНСТРУКЦІЇ ДЛЯ ПОДАЛЬШОГО ВИКОРИСТАННЯ.

Термін «електричний інструмент» в усіх попередженнях стосується використовуваних вами інструментів, що



живляться від мережі енергопостачання (з електричним кабелем) або від акумуляторів (без кабелю).

## 1) Безпека робочої зони

- Робоча зона завжди має бути чистою та добре освітленою.** Захаращена або темна робоча зона призводить до нещасних випадків.
- Не використовуйте електричні інструменти у вибухонебезпечній атмосфері, наприклад поруч із вогнебезпечними рідинами, газами та пилом.** Електричні інструменти створюють іскри, що можуть запалити пил або пару.
- Тримайте дітей та сторонніх подалі під час використання інструмента.** Відвернення уваги може призвести до втрати контролю.

## 2) Електрична безпека

- Вилка електричного інструмента повинна відповідати розетці. Ніколи жодним чином не змінюйте вилку. Не використовуйте адаптери з замкнутими на землю (заземленими) електричними інструментами.** Немодифіковані вилки та розетки, що підходять до них, зменшують ризик ураження електричним струмом.
- Уникайте контакту тіла з заземленими поверхнями, такими як труби, радіатори, плити та холодильники.** Якщо ваше тіло заземлене, збільшується ризик ураження електричним струмом.
- Не залишайте електричні інструменти під дощем або в умовах підвищеної вологості.** Вода, що потрапляє в електричний інструмент, підвищує ризик ураження електричним струмом.
- Не використовуйте кабель живлення не за призначенням. Ніколи не переносьте, не тягніть та не відключайте електричний інструмент від розетки живлення за допомогою шнура. Тримайте шнур подалі від високих температур, мастила, гострих предметів та рухомих деталей.** Пошкоджені або перекручені шнури підвищують ризик ураження електричним струмом.
- При використанні електричного інструмента на вулиці, використовуйте подовжувальний шнур, що підходить для використання на вулиці.** Використання шнура, що призначений для використання поза приміщенням, знижує ризик ураження електричним струмом.
- Якщо неможливо уникнути використання електричного інструмента в умовах підвищеної вологості, використовуйте живлення, захищене пристроєм залишкового струму (RCD).** Використання RCD знижує ризик ураження електричним струмом.

## 3) Особиста безпека

- Будьте в стані готовності, дивіться, що ви робите, та будьте розсудливі, працюючи з електричним інструментом. Не використовуйте електричний інструмент, коли ви втомлені або знаходитесь під**

**впливом наркотичних речовин, алкоголю**

**або ліків.** Втрата уваги під час роботи з електричним інструментами може призвести до серйозних травм.

- Використовуйте особисті засоби безпеки. Завжди використовуйте засоби захисту очей.** Засоби безпеки, такі як протипилова маска, неслизькі безпечні черевички, захисний шолом та засоби захисту слухового апарату при використанні для відповідних умов зменшують імовірність особистих травм.
- Уникайте випадкового запуску. Переконайтесь в тому, що вимикач знаходиться в позиції Вимк., перш ніж підключати інструмент до джерела живлення та/або акумулятора, переміщувати або переносити.** Може статися нещасний випадок, коли ви переносите інструмент, тримаючи палець на вимикачі, або підключаєте живлення до вимикача в позиції Увімк.
- Зніміть усі ключі для регулювання або гайкових ключі, перш ніж вмикати електричний інструмент.** Гайковий ключ, що залишився прикріпленим до якоїсь деталі електричного пристрою, що обертається, може призвести до травм.
- Не прикладайте надмірного зусилля. Завжди утримуйте правильну постановку ніг і рівновагу.** Це дає вам змогу краще контролювати інструмент в неочікуваних ситуаціях.
- Одягайтеся відповідним чином. Не вдягайте вільний одяг або прикраси. Тримайте ваше волосся та одяг подалі від рухомих деталей.** Вільний одяг, прикраси або довге волосся можуть зачепитися за рухомі деталі.
- Якщо передбачені пристрої для підключення до засобів виділення та збирання пилу, переконайтесь, що вони правильно підключені та використовуються.** Використання таких пристроїв зменшує ризик виникнення небезпечних ситуацій, що пов'язані з потраплянням пилу.
- Навіть якщо ви добре знаєте інструмент та часто його використовуєте, не розслабляйтеся та не забувайте про принципи техніки безпеки.** Необережні дії можуть за долю секунди призвести до важких тілесних ушкоджень.

## 4) Використання електричного інструмента та догляд за ним

- Не прикладайте надмірних зусиль під час роботи з інструментом. Використовуйте електричний інструмент, який відповідає завданню, що виконується.** Правильно обраний інструмент виконає завдання краще та безпечніше за умов, для яких він був розроблений.
- Не використовуйте інструмент, якщо його неможливо ввімкнути та вимкнути за допомогою вимикача.** Будь-який електричний інструмент, яким неможливо керувати за

допомогою вимикача, є небезпечним і має бути відремонтований.

- c) **Якщо вилка знімна, відключіть її від джерела живлення та/або вийміть акумулятор, перш ніж виконувати будь-які налаштування, змінювати додаткове обладнання або зберігати інструмент.** Ці профілактичні заходи зменшують ризик випадкового запуску електричного інструмента.
- d) **Зберігайте вимкнені електричні інструменти в недоступному для дітей місці та не дозволяйте особам, що не знайомі з електричним інструментом або цими інструкціями, використовувати електричний інструмент.** Електричні інструменти є небезпечними, якщо вони використовуються некваліфікованими користувачами.
- e) **Технічне обслуговування електричних інструментів та приладдя. Перевіряйте неспіввісність, заїдання рухомих деталей, наявність пошкоджених частин та інших факторів, які можуть впливати на роботу електричного інструмента.** Якщо є пошкодження, відремонтуйте електричний інструмент перед використанням. Нещасні випадки часто є результатом того, що інструмент не пройшов відповідного технічного обслуговування.
- f) **Різальні інструменти мають бути гострими та чистими.** Правильно доглянуті різальні інструменти з гострими різальними кромками мають меншу імовірність заїдання, та ними легше керувати.
- g) **Використовуйте електричний інструмент, додаткові інструменти та деталі інструменту тощо у відповідності до цих інструкцій та відповідно до даного типу електричних інструментів, зважаючи на умови використання та роботу, яка має бути виконана.** Використання електричних інструментів не за призначенням може призвести до виникнення небезпечних ситуацій.
- h) **Всі ручки та поверхні для тримання інструмента мають бути сухими, без залишків мастила.** Слизькі ручки та поверхні для тримання не дозволяють безпечно працювати та контролювати інструмент у неочікуваних ситуаціях.

## 5) Обслуговування

- a) **Надавайте ваш електричний інструмент для обслуговування кваліфікованим спеціалістом з ремонту та використовуйте тільки ідентичні замініні деталі.** Це забезпечить безпеку електричного пристрою.

## Додаткові правила з техніки безпеки при роботі з рейсмусами

- Для зниження ризику отримання травм користувач повинен прочитати і зрозуміти керівництво з експлуатації до початку роботи з рейсмусом.
- При необхідності завжди використовуйте засоби захисту очей і пілозахисну маску.
- Тримайте руки подалі від нижньої частини каретки ріжучої головки.
- Ніколи не прибирайте засмічення, не виконуйте заміну ріжучих ножів і не здійснюйте жодних інших ремонтно-відновлювальних робіт, коли пристрій підключено до мережі.
- Перед підключенням штекера до мережі живлення переконайтесь, що перемикач знаходиться в положенні OFF (Вимк.).
- Щоб запобігти несподіваному «увімкненню» інструменту після відключення від мережі, перш ніж відновити подачу живлення, переведіть перемикач в положення OFF (Вимк.).
- Перед підключенням пристрою до мережі переконайтесь, що ріжучі ножі встановлені, як описано в інструкції з експлуатації, і переконайтесь, що всі болти надійно затягнуті.
- Щоб уникнути травм ніколи не повертайте ріжучий блок руками.
- Тримайте захисні кожухи на місці та в доброму справному стані.
- Будьте пильні – ніколи не використовуйте пристрій, коли ви втомлені або знаходитесь під впливом наркотичних речовин, алкоголю або ліків.
- Не використовуйте пристрій в небезпечних умовах. Не використовуйте поблизу легковозгорючих речовин, у сухих або вологих місцях або під дощем.
- Ніколи не стружіть матеріал коротше 304,8 мм (12 дюймів).
- Жолоб для видалення стружки: після відключення живлення і припинення обертання ріжучої головки видаліть стружку за допомогою щітки або пилососа.
- Завжди розташовуйте рейсмус з достатнім вільним простором з боку вивантаження пристрою, щоб запобігти зацмеленню або зчепленню заготовки з будь-якими перешкодами.
- Часто очищуйте свій інструмент, особливо після інтенсивного використання. Пил та сміття, що містять частинки металу, часто накопичуються на внутрішніх поверхнях інструмента і можуть створювати ризик серйозних травм та ураження електричним струмом.
- **ЗАВЖДИ ВДЯГАЙТЕ ЗАХИСНІ ОКУЛЯРИ.**

**!** **УВАГА!** У цілях безпеки рекомендується, щоб машину переносили дві людини, інакше можливі серйозні травми.

- **Рухомі частини часто приховані вентиляційними отворами; уникайте контакту з ними.** Вільний одяг, прикраси або довге волосся можуть зачепитися за рухомі деталі.

**!** **УВАГА!** Ми рекомендуємо використовувати пристрій з керуванням диференційним струмом з номінальним значенням диференційного струму 30 мА або менше.

**!** **УВАГА!** Пил, що утворюється при механічному шліфуванні, розпилюванні, заточуванні, свердлінні та інших діях на будівництві, містить хімікати, що викликають рак, вроджені вади та інші проблеми репродуктивної системи. Приклади таких хімічних речовин:

- свинець зі свинцевих фарб,
- кристалічний кремнезем з цегли, цементу та інших матеріалів для кладки і
- миш'як і хром з деревини, що піддавалась хімічній обробці.

Ризик виникнення проблем через вплив цих речовин варіюється в залежності від того, як часто користувач виконує цей вид роботи. Щоб зменшити вплив цих хімічних речовин, працюйте у добре вентильованому приміщенні, а також використовуйте відповідні засоби безпеки, такі як протипилові маски, які здатні фільтрувати мікроскопічні частинки.

- Уникайте тривалого контакту з пилом, що утворюється при потужному шліфуванні, розпилюванні, заточуванні, свердлінні та інших будівельних роботах. Носіть захисний одяг і мийте відкриті ділянки тіла милом і водою. Потраплення пилу в рот, очі або на шкіру може сприяти всмоктуванню шкідливих хімічних речовин.

## Електрична безпека

Електричний двигун розроблений для роботи лише з одним значенням напруги. Завжди перевіряйте відповідність джерела живлення напрузі, яка вказана на табличці з паспортними даними.

**!** Ваш DEWALT зарядний пристрій має подвійну ізоляцію відповідно до EN60745 тому заземлення не є необхідним.

Якщо кабель живлення пошкоджений, тільки компанія DEWALT або уповноважена сервісна організація може виконувати його заміну.

## Використання електричного подовжувача

Якщо необхідний подовжувач, використовуйте рекомендований 3-жильний подовжуючий шнур, що підходить для споживаної потужності інструменту (див. **Технічні дані**). Мінімальний розмір провідника становить 1,5 мм<sup>2</sup>; максимальна довжина — 30 м.

При використанні кабельного барабану завжди витягуйте весь кабель.

## Комплект поставки

Комплект містить:

- 1 Рейсмус
  - 1 Круглий отвір для видалення пилу
  - 1 Т-образний ключ (розташований у верхній кришці пристрою)
  - 1 Кривошипна ручка налаштування глибини
  - 1 Шестигранний гвинт для кривошипної ручки
  - 1 Посібник з експлуатації
- *Перевірте інструмент, деталі та приладдя на пошкодження, що могли виникнути під час транспортування.*
  - *Перед використанням уважно прочитайте та повністю зрозумійте цей посібник.*

## Опис (рис. А)

**!** **УВАГА!** Ніколи не модифікуйте електричні інструменти та їхні деталі. Це може призвести до пошкодження майна або тілесних ушкоджень.

- 1 Рейсмус
- 2 Боківі ручки для перенесення
- 3 Ручки основи
- 4 Монтажні отвори для кріплення на верстак
- 5 Кривошипна ручка
- 6 Вимикач

## Область застосування

Цей рейсмус призначений для професійної обробки деревини.

**НЕ** використовуйте за умов підвищеної вологості або в присутності легкозаймистих рідин та газів.

Цей рейсмус є професійним електричним інструментом.

**НЕ** дозволяйте дітям підходити на небезпечну відстань та торкатися інструмента. Використання інструмента недосвідченими операторами потребує нагляду.

- Цей пристрій не призначений для використання особами (включаючи дітей) зі зниженими фізичними, сенсорними або розумовими можливостями або особами, яким бракує досвіду або знань, за винятком випадків, коли такі особи працюють під наглядом особи, яка несе відповідальність за їхню безпеку. Не можна залишати дітей наодинці з цим пристроєм.

## МОНТАЖ ТА НАЛАШТУВАННЯ

**!** **ПОПЕРЕДЖЕННЯ:** Щоб знизити ризик серйозних травм, вимкніть інструмент та відключіть його від мережі живлення перед виконанням будь-яких налаштувань або змінням/ встановленням насадок або приладдя. Випадковий запуск може призвести до травм.

**!** **УВАГА!** Не знімайте захисні кожухи (7, рис. В). Це може призвести до серйозних травм.

## Транспортування рейсмуса (рис. А)



**УВАГА!** У цілях безпеки рекомендується, щоб машину перенесли дві людини, інакше можливі серйозні травми.

При переміщенні рейсмуса слід його тримати за бокові ручки для перенесення **2** або за ручки **3**, розташовані в основі рейсмуса.

## Кріплення до верстаку (рис. А)

Для полегшення кріплення до верстаку в чотирьох кутах рейсмуса передбачені два отвори **4** різного розміру. При кріпленні рейсмуса болтами використовуйте отвори більшого розміру. При кріпленні рейсмуса за допомогою цвяхів або гвинтів використовуйте отвори меншого розміру. Немає необхідності використовувати обидва набору отворів. Завжди добре закріплюйте рейсмус, щоб він не рухався. Для зручності, можна спочатку прикріпити пилку до листа фанери товщиною не менше 12,7 мм, після чого лист кріпиться до верстаку та інструмент разом із основою можна легко перенести в інше місце.

**ПРИМІТКА.** Якщо рейсмус кріпиться до листа фанери, переконайтесь, що кріпильні болти не виступають знизу деревини. Лист повинен бути врівень із робочою опорою.



**ОБЕРЕЖНО!** Монтажна поверхня має бути не деформована і без нерівностей.

## Прикріплення кривошипної ручки регулювання глибини (рис. С)

1. Викрутіть гвинт, розташований на валу кривошипної ручки.
2. Вставте кривошипну ручку **5** над валом.
3. Закріпіть на місці за допомогою гвинта і Т-образного ключа **8** з комплекту поставки.

## Отвори для видалення пилу (рис. D)

Рейсмус поставляється з отвором для видалення пилу. Круглий отвір **9**, як показано на рисунку. F, призначений для використання зі шлангом пилососа діаметром 100 мм.

## Налаштування системи видалення пилу (рис. D)



**УВАГА!** Не використовуйте рейсмус без заблокованого на місці отвору для видалення пилу. Не вставляйте нічого в жолоб для видалення пилу, якщо рейсмус не від'єднаний від розетки, а ви прибираєте засмічення або перешкоду в пристрої. Під час роботи рейсмуса не допускайте наближення обличчя або очей до отвору для видалення пилу. Це може призвести до серйозних травм.



**УВАГА!** Стружка викидається зі значною швидкістю. Тримайте руки і обличчя подалі від отвору для видалення пилу.

1. Виберіть порт **9**.
2. Натисніть кнопку блокування **11** на жолобі для видалення стружки **10**.

3. Зруште виїмки в отворі для видалення пилу над штифтами на жолобі для видалення стружки.
4. Повертайте отвір до тих пір, поки кнопка не ввійде в зачеплення з жолобом для видалення пилу і не зафіксується на місці.

## Демонтаж отвору для видалення пилу (рис. D)

1. Натисніть на кнопку блокування **11** на жолобі для видалення пилу за допомогою Т-образного ключа.
2. Повертайте отвір до тих пір, поки штифти не від'єднаються від виїмок отвору.
3. Зніміть отвір для видалення пилу з жолобу.

## Налаштування глибини (рис. Е)

### Шкала налаштування глибини (рис. Е)

Шкала регулювання глибини **14**, розташована на правій передній панелі рейсмуса, показує кінцеву товщину заготовки. Один оберт ручки регулювання глибини дорівнює 1,6 мм, половина оберту дорівнює 0,8 мм тощо.

### Ручка налаштування глибини

Поворот ручки за годинниковою стрілкою опускає ріжучу головку. Поворот ручки проти годинникової стрілки піднімає ріжучу головку.

## Упор револьверної головки (рис. F)

Ваш рейсмус оснащений упором револьверної головки **17** для стругання декількох дощок з однаковою встановленою глибиною. Упори встановлюються на 3 мм, 6,5 мм, 12,7 мм, 319 мм, 25,5 мм і 32 мм.

## Встановлення мінімальної глибини, на яку каретка може переміщатися за допомогою упору револьверної головки

1. Перед встановленням упору револьверної головки переконайтесь, що каретка розташована вище 32 мм.
2. Повертайте коліщатко на передній лівій стороні рейсмуса до тих пір, поки бажана товщина не співпаде з червоним індикатором, потім опустіть каретку.
3. Стругайте заготовку з потрібним кроком, поки не буде досягнута потрібна кінцева товщина.

**ПРИМІТКА.** Не прикладайте силу, щоб закрутити каретку нижче рівня, зазначеного на упорі револьверної головки. Це може привести до незворотного пошкодження системи регулювання висоти рейсмуса.

## РЕЖИМ РОБОТИ

### Інструкції з використання



**ПОПЕРЕДЖЕННЯ:** Завжди дотримуйтесь усіх інструкцій з техніки безпеки та відповідних норм.



**ПОПЕРЕДЖЕННЯ:** Щоб знизити ризик серйозних травм, вимкніть інструмент та відключіть його від мережі живлення перед виконанням будь-яких налаштувань або змінням/встановленням насадок або приладдя. Випадковий запуск може призвести до травм.

## Вимикач (рис. G)

Для ввімкнення рейсмуса підніміть тригерний перемикач **12** вгору.

Рейсмус блокується автоматично. Щоб вимкнути інструмент, опустіть перемикач вниз. Під вимикачем передбачено отвір **13** для встановлення замку для блокування рейсмуса.

## Перемикач швидкості (рис. H)

**ПРИМІТКА.** Дозволяється перемикати швидкості тільки під час роботи рейсмуса.

Ваш рейсмус може подавати матеріал з двома різними швидкостями. Двошвидкісна функція **16** була розроблена для підвищення ефективності при струганні і забезпечення найкращої якості поверхні для різних матеріалів.

Для більш швидкого зняття товщини матеріалу встановіть агрегат на швидкість «2». Ця установка забезпечує 96 зрізів на дюйм матеріалу.

Для чистової обробки встановіть пристрій на швидкість «1». Швидкість «1» ідеально підходить для забезпечення найкращої якості чистової обробки на останньому проході перед досягненням кінцевої товщини.

**ПРИМІТКА.** При струганні особливо твердих або фігурних порід дерева рекомендується швидкість «1». Більш низька швидкість подачі зменшить знос і виривання ножів за рахунок використання 179 зрізів на дюйм матеріалу.

## Датчик видалення матеріалу (рис. I)

Рейсмус оснащений датчиком видалення матеріалу **15**. Він використовується для вказівки кількості деревини, яку буде видалено за один прохід при налаштуванні каретки на її поточної висоті.

## Використання датчика видалення матеріалу

1. Посуньте матеріал приблизно на 75 мм під середину каретки.
2. Переконайтесь, що деревина лежить рівно біля основи рейсмуса. Якщо матеріал вставлений під кутом, показання можуть бути неточними.
3. Опускайте каретку вниз до матеріалу до тих пір, поки планка для видалення матеріалу не увійде в зачеплення з деревом. Ви побачите, що червона стрілка почне рухатися вгору за шкалою, вказуючи кількість матеріалу, яку буде видалено з кареткою на даній висоті.
4. Відрегулюйте висоту каретки так, щоб датчик відображав бажану глибину зрізу.
5. Вийміть матеріал з-під каретки.
6. Увімкніть пристрій і завантажте матеріал в ріжучу головку.

**ПРИМІТКА.** Не перевищуйте глибину зрізу для матеріалу різної ширини, рекомендовану на датчику видалення матеріалу.

**УВАГА!** НЕ вмикайте пристрій, якщо під кареткою знаходиться матеріал. Це може призвести до серйозних травм.

## Основи стругання

### Правильна техніка стругання

**УВАГА!** НЕ вмикайте пристрій, якщо під кареткою вже розміщено матеріал. Зачекайте, поки ролики і ріжуча головка досягнуть повної швидкості, перш ніж подавати матеріал в машину.

### Стругання матеріалу

1. Опустіть каретку на бажану висоту для першого проходу.
2. Увімкніть пристрій і завантажте матеріал на ролики подачі.
3. Огляньте закінчений зріз і налаштуйте каретку на висоту, що відповідає вашому наступному проходу.

**ПРИМІТКА.** Між проходами перевертайте дошку вздовж вперед.

Див. Інструкції щодо виявлення та усунення несправностей для отримання додаткової інформації.

Для досягнення найкращих результатів обстружіть обидві сторони заготовки до бажаної товщини. Наприклад, якщо вам потрібно видалити з заготовки 3 мм, видаліть по 1,6 мм з кожного боку. Це дозволяє не тільки просушувати заготовку з рівномірним вмістом вологи, а й виконувати більш точні розрізи.

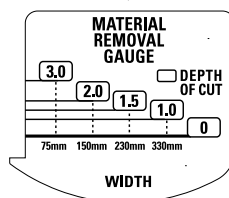
**УВАГА!** Стружіть тільки деревину, яка не містить сторонніх предметів, сучків, і як можна менше вузлів. Не стружіть сильно деформовану, скручену, сучкувату або вигнуту деревину.

**УВАГА!** Не ставте своє тіло між задньою частиною рейсмуса і нерухомим предметом під час подачі матеріалу. Це може призвести до серйозних травм.

### Мінімальна/максимальна ширина/висота/глибина

**ПРИМІТКА.** Завжди стружіть у напрямку волокон. Завжди підтримуйте заготовку належним чином. Не рекомендується стругати матеріал шириною менше 19 мм. Якщо необхідно обстругати вузький матеріал, згрупуйте кілька штук разом і, по можливості, обробіть їх як одну широко заготовку. Максимальна глибина різання рейсмуса за один прохід складає 3 мм [для матеріалу товщиною не більше 152 мм]. Забороняється вносити зміни в рейсмус для виконання більш глибокого розрізу. Для досягнення найкращих результатів дотримуйтесь рекомендацій з глибини/ширини різання, наведених в таблиці А.

ТАБЛИЦЯ А



## Завал

Завал – це поглиблення, що утворюється, коли невідтримуваний кінець матеріалу опускається до підлоги, в результаті чого протилежний кінець піднімається вгору в ріжучу головку.

### Як уникнути завала

Поддавайте заготовку в рейсмус так, щоб вона була на одному рівні і завжди залишалася в одній площині з основою.

Тримайте заготовку рівно протягом усього стругання, приймаючи або «захоплюючи» її з тильного боку рейсмуса.

Якщо матеріал для стругання особливо довгий, рекомендується використовувати додаткову опору матеріалу.

## Скручена, округлена і вигнута деревина (рис. J)

Якщо обидві сторони вашого матеріалу дуже нерівні або матеріал закруглений, зігнутий або скручений, рейсмус може не дати бажаного результату. В ідеалі перед струганням матеріал повинен мати хоча б одну рівну площину або поверхню. Ваш рейсмус найкраще працює з матеріалом, що пропущеним через фугувальний верстат для отримання однієї плоскої поверхні. Якщо у вас немає хоча б однієї плоскої поверхні або фугувального верстата, див. наступні рекомендації.

### Стругання скрученої деревини (рис. K)

**УВАГА!** *Скручена деревина може заклинити рейсмус. Якщо виникне заклинювання, вимкніть пристрій, відключіть його від джерела живлення і підніміть каретку, щоб витягти матеріал з ріжучої головки.*

Якщо ваш матеріал злегка скручений:

Стружіть з обох сторін по черзі, поки не буде досягнута бажана товщина.

### Стругання округлої деревини (рис. L)

Для отримання найкращих результатів при роботі з округлою деревиною:

Розріжте матеріал посередині і застружіть його як дві окремі частини.

Розрізання матеріалу знижує рівень округлості і дозволяє машині досягати кращих результатів. Зрозумійте, що для досягнення бажаної товщини на округлій деревині вам доведеться видалити більше матеріалу, ніж на звичайній дошці.

### Якщо розрізання матеріалу неприпустимо

Стружіть одну сторону матеріалу до досягнення рівної поверхні, потім стружіть протилежну сторону до тих пір, поки вона також не стане рівною.

**ПРИМІТКА.** Не перевертайте дошку взад-вперед між проходами, якщо дерево округле.

### Стругання зігнутої деревини (рис. M)

Ролики подачі і ріжуча головка в рейсмусі прибирають вигин матеріалу по мірі його подачі. Однак, коли матеріал

виходить з рейсмуса, тиск роликів і ріжучої головки слабшає, і деревина повертається в вигнуту форму. Для правильного видалення вигину використовуйте фугувальний верстат. ВИГНУТА ДЕРЕВИНА БУДЕ ЗГЛАДЖЕНА РОЛИКАМИ ПОДАЧІ І РІЖУЧИМИ ГОЛОВКАМИ, АЛЕ ПІСЛЯ СТРУГАННЯ ДЕРЕВА ВИГИН ПОВЕРНЕТЬСЯ (рис. M)

## ТЕХНІЧНЕ ОБСЛУГОВУВАННЯ

Ваш електричний інструмент призначений для роботи протягом довгого часу з мінімальним обслуговуванням. Довга задовільна робота приладу залежить від належного обслуговування приладу та регулярного його очищення.



**ПОПЕРЕДЖЕННЯ:** *Щоб знизити ризик серйозних травм, вимкніть інструмент та відключіть його від мережі живлення перед виконанням будь-яких налаштувань або змінаньм/ встановленням насадок або приладдя. Випадковий запуск може призвести до травм.*

## Періодичне технічне обслуговування

1. Регулярно перевіряйте інструмент на наявність пошкоджень або поломок.
2. Очистіть верхню кришку, пілозахисний кожух і всі доступні місця пристрою від пилу і деревного сміття, що накопичується при струганні.
3. Протріть ролики подачі і вивантаження.
4. Очистіть стіл основи Легке полірування воском допоможе деревині проходити через рейсмус.
5. Оцініть гостроту лез. Замінійте їх за необхідності.
6. Калібрування датчика, перевірка калібрування датчика товщини і калібрування упору револьверної головки.
7. Перевірте щітки на знос і за необхідності замініть їх.

## Заміна або обертання стругальних ножів



**УВАГА!** *Щоб знизити ризик отримання серйозної травми, від'єднайте рейсмус від джерела живлення, перш ніж намагатися замінити або обернути ножі. Випадковий запуск може призвести до травм.*

### Заміна стругальних ножів (рис. N–S)

1. За допомогою T-образного ключа викрутіть чотири гвинти у верхній частині рейсмуса.
2. Зніміть кришку (рис. N) і відкладіть в сторону.
3. Зніміть три гайки-баранчики, що закривають пілозахисний кожух над ріжучими головками.
4. Поверніть пілозахисний кожух вгору так, щоб кругле з'єднання, зафіксоване на корпусі вентилятора, було відкритому положенні (рис. O).
5. Посуньте пілозахисний кожух вліво, щоб він від'єднався від корпусу вентилятора.
6. Зніміть пілозахисний кожух з пристрою (рис. P) і відкладіть його в сторону.
7. Тепер ріжуча головка відкрита. Якщо вісім гвинтів в затиску ріжучої головки не видно, обережно повертайте ріжучу головку (рис. Q) шматком дерева, щоб отримати

доступ до гвинтів і зафіксувати важіль блокування ріжучої головки **18**. Це дозволить запобігти подальшому обертанню ріжучої головки при заміні ножів.

**!** **УВАГА! Завжди тримайте пальці подалі від ріжучої головки. Для роботи з ножами використовуйте інструмент з комплекту поставки.**

- За допомогою T-образного ключа відкрутіть вісім гвинтів на затиску ножа і вставте їх в невеликі отвори для гвинтів **19** на передній панелі рейсмуса (рис. R).
- За допомогою магніту на верхній частині T-образного ключа притягніть затиск ножа і зніміть його з ріжучої головки. Один з ножів тепер має бути відкритий.
- Для притягування ножа використовуйте магніт **20** на верхній частині T-образного ключа (рис. Q). Не торкайтеся до нього пальцями.

**ПРИМІТКА.** Перед установкою ножа переконайтеся, що ріжуча головка і ніж очищені від сміття. При необхідності очистіть.

### Якщо ніж зношений тільки з одного боку

- Поверніть ніж так, щоб гострий невикористаний край перебував над кінцем ріжучої головки, де він буде різати матеріал. Переконайтеся, що довгасті отвори в ножі розташовані над штифтами, обробленими на ріжучій голівці.
- Знову встановіть затискач на ніж. Переконайтеся, що скошена кромка затиску вирівняна з гострою ріжучою кромкою ножа. Якщо вони не вирівняні правильно, затиск не буде надійно утримувати ніж.
- Встановіть гвинти в затиск і затягніть їх належним чином.

**ПРИМІТКА.** Переконайтеся, що всі гвинти затягнуті належним чином.

### Щоб отримати доступ до двох інших ножів, виконайте наступні дії

- Натисніть важіль блокування ріжучої головки **18**, як показано на рисунку Q.
- За допомогою шматка деревини обережно поверніть ріжучу головку, щоб вона зафіксувалася і відкрила другий затиск ножа.
- Виконайте таку ж процедуру заміни ножів, як описана вище.
- Повторіть процедуру для останнього тупого ножа.

### Після встановлення нових ножів

- Вставте круглий кінець пилозахисного кожуха в корпус вентилятора і поверніть його вниз, щоб зафіксувати на місці.
- Вставте три гайки-баранчики назад в кожух.
- Прикрутіть верхню кришку рейсмуса назад на пристрій.

**ПРИМІТКА.** Рейсмус не буде працювати, якщо верхня кришка встановлена неправильно.

### Заміна щітки (рис. T, U)

Рейсмус оснащений утримувачами щіток **21**, розташованими зовні двигуна. Якщо ваші щітки потребують

заміни, почніть з придбання нового комплекту в сервісному центрі DEWALT або у авторизованого дилера з обслуговування виробів DEWALT. Використовуйте тільки однакові щітки DEWALT.

### Заміна щіток на рейсмусі (рис. T, U)

- За допомогою T-образного ключа зніміть з рейсмуса верхню кришку і захисний екран щіток.
- За допомогою викрутки з плоскою головкою відкрутіть кришку щіток, розташовану в правій задній частині пристрою **22**.
- Те ж саме можна зробити для кришки щіток, розташованої збоку двигуна, всередині кришки рейсмуса.
- Вставте нові щітки в утримувачі.
- Після встановлення щіток замініть верхню кришку і захисний екран щіток.
- Перед використанням рейсмуса запустіть пристрій на 10 хвилин, щоб нові щітки сіли.

**ПРИМІТКА.** Якщо існуючі щітки не потребують заміни, переконайтеся, що при їх повторному встановленні зберігається колишня орієнтація.

### Калібрування шкали регулювання глибини (рис. V)

Шкала регулювання глибини **14** на рейсмусі встановлюється на заводі-виробнику. Однак при тривалому використанні шкала регулювання глибини може давати хибні результати вимірювання.

Для перевірки шкали регулювання глибини застружіть шматок деревини, звертаючи увагу на показання шкали регулювання глибини.

Виміряйте кінцеву товщину заготовки. Якщо товщина заготовки не відповідає показанням шкали регулювання глибини, послабте два гвинти **23** на червоному індикаторі. Налаштуйте стрілку вгору або вниз так, щоб її показання відповідали кінцевій товщині заготовки. Надійно повторно затягніть гвинти.

### Технічне обслуговування основи

Тримайте стіл чистим, не забрудненим маслом, мастилом і смолою. Обробіть стіл пастовим воском, щоб зберегти гладкість поверхні.

### Кнопка скидання автоматичного вимикача (рис. W)

Рейсмус оснащений автоматичним вимикачем на 18 ампер. Якщо рейсмус перевантажиться і перестане працювати, то перш ніж відновити роботу, вимкніть його, почекайте 2 хвилини і натисніть кнопку скидання **24**.



**УВАГА!** Щоб запобігти несподіваному запуску рейсмуса при відключенні живлення в результаті спрацювання автоматичного вимикача, перед відновленням живлення переконайтеся, що вимикач знаходиться в положенні OFF (Вимк.).

**ПРИМІТКА.** Перевантаження автоматичного вимикача часто виникає через затуплені ножі. Регулярно міняйте ножі, щоб не допустити спрацьовування вимикача. Перш ніж знову вмикати автоматичний вимикач і продовжувати стругання, перевірте ножі.

Див. **Інструкції щодо виявлення та усунення несправностей** для отримання додаткової інформації про спрацьовування автоматичного вимикача.

## Заміна приводного ременя

Приводні ремені можна придбати в авторизованих сервісних центрах DeWALT за додаткову плату. Заміну приводного ременя має виконувати кваліфікований сервісний персонал.

## Вентилятор для видалення стружки

(рис. N-P, X)

Вентилятор для видалення стружки на рейсмусі необхідно регулярно чистити або очищати від сміття.

**УВАГА!** Вимкніть і відключіть рейсмус від мережі перед отримання доступу до вентилятора для видалення стружки.

### Щоб отримати доступ до вентилятора, виконайте наступні дії

1. Зніміть верхню кришку рейсмуса за допомогою Т-образного ключа.
2. Зніміть пилозахисний кожух (рис. N-P) і відкладіть його в сторону.
3. Відкрутіть гвинти та затиски навколо корпусу вентилятора.
4. Зніміть корпус вентилятора і відкладіть його в сторону, як показано на малюнку. Тепер вентилятор буде відкритий для очищення.

Див. **Інструкції щодо виявлення та усунення несправностей** для отримання додаткової інформації.

**УВАГА!** Перед повторним використанням рейсмуса переконайтеся в тому, що корпус вентилятора встановлений правильно, а також правильно зберіть кожух і верхню кришку.



## Очищення

**ПОПЕРЕДЖЕННЯ:** Коли пил та бруд стають помітними та починають накопичуватися біля вентиляційних отворів, вивувайте бруд та пил зсередини основного корпусу за допомогою сухого повітря. Використовуйте рекомендовані засоби захисту органів зору та рекомендовану протипилову маску при виконанні цієї операції.

**ПОПЕРЕДЖЕННЯ:** Ніколи не використовуйте розчинники та інші агресивні хімічні засоби для очищення неметалевих деталей інструмента. Такі хімічні речовини можуть нанести шкоду матеріалам, що використовуються в цих деталях. Використовуйте вологу ганчірку, змочену лише

водою з м'яким милом. Не дозволяйте рідині потрапляти всередину інструмента та ніколи не занурюйте деталі інструмента в рідину.

## Додаткові аксесуари

**ПОПЕРЕДЖЕННЯ:** Оскільки інше приладдя, що не зазначене виробником DeWALT, не перевірялося з цим пристроєм, його використання з інструментом може бути небезпечним. Необхідно використовувати лише рекомендовані DeWALT приладдя з цим пристроєм, щоб знизити ризик отримання травми.

Зверніться до свого дилера для отримання подальшої інформації щодо відповідного приладдя.

Для рейсмуса DW735 доступні чотири одиниці приладдя.

- Мобільна підставка DW7350
- Складні столи DW7351
- Ножі 325 мм DW7352
- Приладдя для видалення стружки DW7353

**ПРИМІТКА.** Спиральні ріжучі головки не випробовувалися з даним виробом і не рекомендуються до використання.

## Додаткові складні столи DW7351 (рис. Y)

**УВАГА!** Для вашої власної безпеки прочитайте інструкцію з експлуатації інструменту, перш ніж прикріплювати столи. Недотримання правил техніки безпеки може призвести до отримання травми і серйозного пошкодження рейсмуса та додаткового приладдя. При технічному обслуговуванні даного пристрою використовуйте тільки ідентичні запасні деталі. Замінійте пошкоджені кабелі в офіційному сервісному центрі.

У комплект постачання складного стола DW7351 входить:

- |                     |                     |
|---------------------|---------------------|
| 2 складні столи     | 4 гайки             |
| 4 ковпачкові гвинти | 4 ступінчасті болти |
| 4 пружини           |                     |

## Налаштування та встановлення основного обладнання (рис. Z-BB)

1. Встановіть рейсмус на безпечний стіл або верстак. Розмістіть рейсмус так, щоб з нижнього боку можна було отримати доступ до передньої частини основи на 75-100 мм.
  2. Прикріпіть задню частину рейсмуса до столу/стіни цвяхами або гвинтами, щоб запобігти його перекиданню або падінню зі столу.
  3. Встановіть пружину на маленький кінець ступінчастого болта.
  4. Вставте кінець болта з пружиною навколо нього в більший отвір збоку основи.
- УВАГА!** Рейсмус може перекинутися або впасти зі столу, якщо його не зафіксувати належним чином з боку, протилежного тому, на який встановлюється складний стіл. Це може призвести до серйозних травм.



5. Вставте ступінчастий болт до упору в отвір першого ребра на нижньому боці рейсмуса. Пружина повинна злегка притиснути ребро, а з правого боку ребра повинно бути видно різьблення.
6. Утримуючи гайку на місці з нижнього боку рейсмуса за допомогою гайкового ключа, вкрутіть в неї ступінчастий болт. Для затягування ступінчастого болта до повної фіксації можна використовувати 4 мм шестигранний ключ (рис. Z).
7. Встановіть менший гвинт в нижню отвір для гвинта збоку основи. Для надійного затягування використовуйте шестигранний ключ на 4 мм (рис. AA).
8. Натисніть на верхній штифт так, щоб він був на одному рівні з основою, посуньте через нього верхній отвір столу і відпустіть його, щоб він зафіксувався (рис. AA, BB).
9. Щоб прикріпити стіл до задньої частини рейсмуса, встановіть болти і пружину згідно з вищевказаною процедурою.

Тепер ваші столи повинні складатися вгору і вниз на верхньому гвинті і спиратися на нижній гвинт, зберігаючи положення для стругання.

**ПРИМІТКА.** Для транспортування рейсмуса зі столами складіть їх і перенесіть відповідно до рекомендацій керівництва з експлуатації рейсмусів.



**УВАГА!** У цілях безпеки рекомендується, щоб машину переносили дві людини, інакше можливі серйозні травми.

## Зняття столів

1. Витисніть підпружинені болти на основі і посуньте до себе кожний кінець столу, щоб вони звільнили отвори в столах. Для легкого зняття столу можна використовувати T-образний ключ з рейсмуса, щоб засунути болти на один рівень з основою.
2. Зберігайте обладнання (ступінчасті болти і малі ковпачкові гвинти) в основі до тих пір, поки вам знову не знадобиться прикріпити столи.

## Захист навколишнього середовища



Роздільний збір. Пристрої позначені цим символом, не можна викидати зі звичайним побутовим сміттям.

Пристрої містять матеріали, які можна відновити та переробити, що зменшить потребу у сировині.

Утилізуйте електротехнічну продукцію відповідно до місцевих положень. Більш детальну інформацію можна отримати на сайті [www.2helpU.com](http://www.2helpU.com).

## Інструкції щодо виявлення та усунення несправностей

### Якщо пристрій не працює, перевірте:

- чи пристрій підключений до мережі.
- чи пилозахисний кожух встановлений правильно.
- чи верхня кришка встановлена правильно.
- чи потрібно скинути автоматичний вимикач.

### Якщо матеріал не подається належним чином, перевірте, чи є:

- надмірне засмічення пилозахисного кожуха.
- надлишок олії/залишки мастила від роликів.
- матеріал надмірно скручений, округлий або зігнутий.
- зламаний привідний ремінь.

### Якщо з задньої частини пристрою не викидається стружка, перевірте:

- чи пилозахисний кожух встановлений правильно.
- чи є засмічення або перешкода для пилозахисного кожуха і вентилятора.

### Якщо спрацює автоматичний вимикач:

- перевірте гостроту ножів. Затуплені ножі можуть викликати перевантаження двигуна.
- зменшіть глибину розрізу. Надмірно агресивний розріз може призвести до перевантаження двигуна.
- зменшіть швидкість подачі до 4,3 м/хв. (14 футів/хв.). Зниження швидкості подачі зменшить навантаження на двигун і запобіжить спрацюванню вимикача.

### Якщо груповий автоматичний вимикач (будинку/майстерні) спрацьовує неодноразово:

- від'єднайте від мережі або вимкніть інші пристрої, підключені до мережі разом з рейсмусом АБО використовуйте рейсмус на окремому ланцюгу електромережі.
- перевірте гостроту ножів. Затуплені ножі можуть викликати перевантаження двигуна.
- зменшіть глибину розрізу. Надмірно агресивний розріз може призвести до перевантаження двигуна.
- зменшіть швидкість подачі до 4,3 м/хв. (14 футів/хв.). Зниження швидкості подачі зменшить навантаження на двигун і запобіжить спрацюванню вимикача.

**ПРИМІТКА.** Навіть при нормальних умовах навантаження інші електричні навантаження на один ланцюг електромережі можуть привести до спрацювання автоматичного вимикача.



Виробник:  
"Stanley Black & Decker Deutschland GmbH"  
Black-&-Decker Str.40, D-65510  
Idstein, Німеччина





