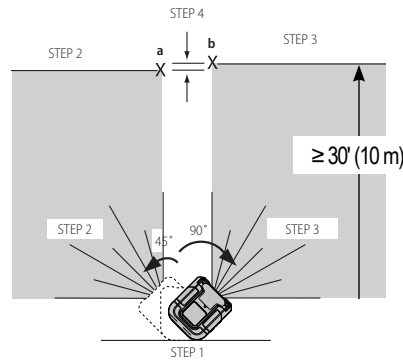
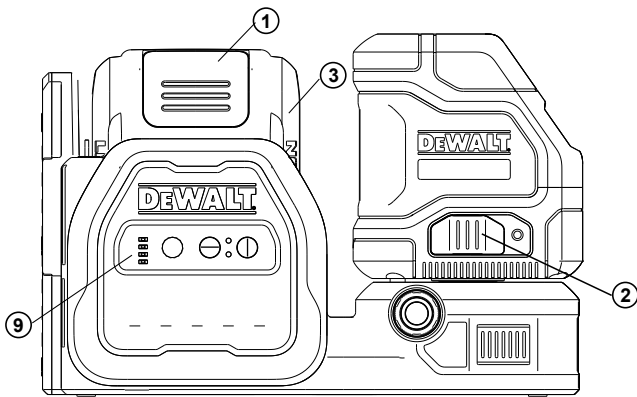
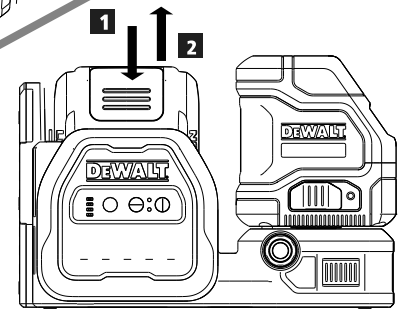
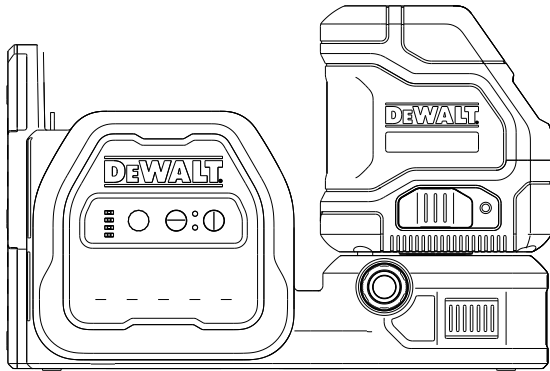
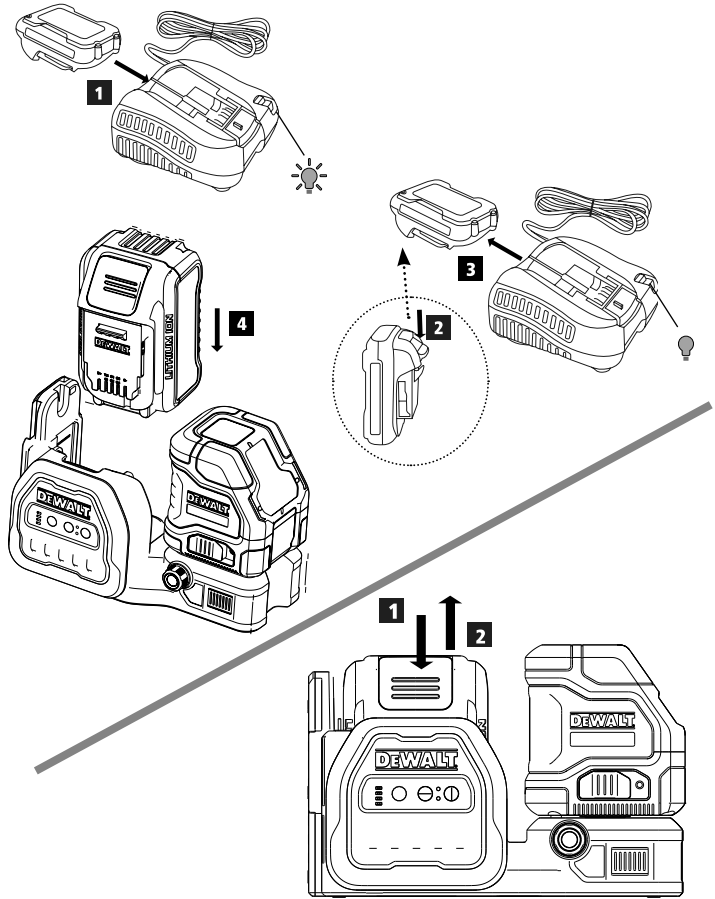


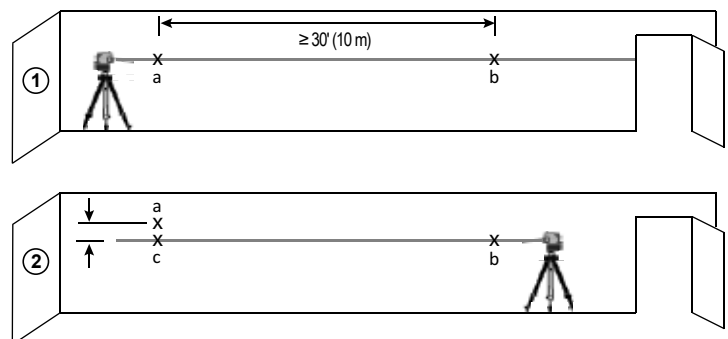
# DEWALT

DCE088G18 12V/18V Cross Line Laser

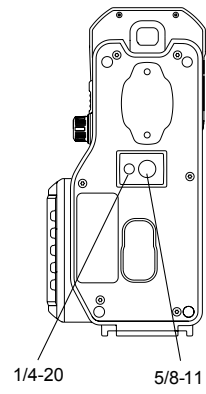
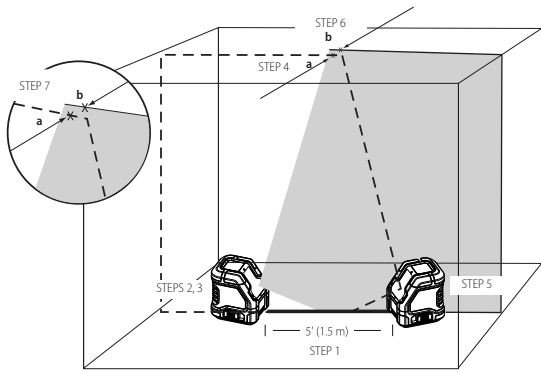


Distance Between Walls	Allowable Distance Between (a) and (b)
10 m	3.0 mm
12.0 m	3.6 mm
15.0 m	4.5 mm

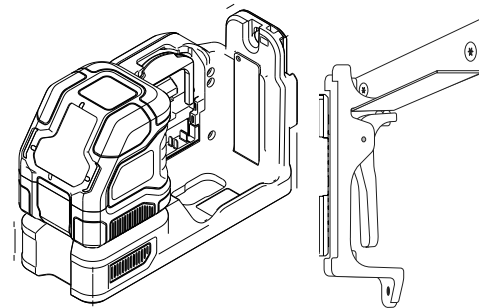
- ④ x1
- ⑤ x2
- ⑥ x3



Distance Between Walls	Allowable Distance Between (a) and (c)
10 m	6.0 mm
12.0 m	7.2 mm
15.0 m	9.0 mm



Distance Between Walls	Allowable Distance Between Ⓐ and Ⓑ
2.5 m	3.4 mm
3.0 m	4.2 mm
4.0 m	5.5 mm
6.0 m	8.2 mm



© 2020 DEWALT Industrial Tool Co.  
 DEWALT EU, Black- & Decker-Strasse 40, D-65510 Idstein, Germany  
 DEWALT UK, 270 Bath Rd, Slough SL1 4DX, England  
[www.2helpu.com](http://www.2helpu.com)  
 N856423 December 2020

