

INSTRUCTION MANUAL

DEWALT®

DC013-XE

HEAVY-DUTY WORK SITE CHARGER/RADIO



Definitions: Safety Guidelines

The definitions below describe the level of severity for each signal word. Please read the manual and pay attention to these symbols.

⚠DANGER: Indicates an imminently hazardous situation which, if not avoided, **will** result in **death or serious injury**.

⚠WARNING: Indicates a potentially hazardous situation which, if not avoided, **could** result in **death or serious injury**.

⚠CAUTION: Indicates a potentially hazardous situation which, if not avoided, **may** result in **minor or moderate injury**.

NOTICE: Used without the safety alert symbol indicates a potentially hazardous situation which, if not avoided, **may** result in **property damage**.

IF YOU HAVE ANY QUESTIONS OR COMMENTS ABOUT THIS OR ANY DeWALT TOOL, CALL US AT: **1800 654 155** (Aust) or **0800 339258** (NZ).

DC013 Heavy-Duty Work Site Charger/Radio

The DC013 Heavy-Duty Work Site Charger/Radio is a combination AM/FM radio and DeWALT charger. The DC013 will charge most DeWALT 7.2 to 18.0 volt NiCd, NiMH, Li-Ion batteries except for Univolt batteries. Batteries sold separately.

Important Safety Instructions

1. Read these instructions.
2. Keep these instructions.
3. Heed all warnings.
4. Follow all instructions.
5. Do not use this apparatus near water.
6. Clean only with a dry cloth.
7. Do not block any ventilation openings. Install in accordance with the manufacturer's instructions.
8. Do not install near any heat sources such as radiators, heat registers, stoves or other apparatus (including amplifiers) that produce heat.

9. Do not defeat the safety purpose of the grounding-type plug. A grounding type plug has three blades, the third is the grounding prong. The third prong is provided for your safety. If the provided plug does not fit into your outlet, consult an electrician for replacement of the obsolete outlet.
10. Protect the power cord from being walked on or pinched particularly at plugs, convenience receptacles, and the point where they exit from the apparatus.
11. Only use attachments/accessories specified by the manufacturer.
12. Only place radio on a level, stable surface.
13. Unplug this apparatus during lightning storms or when unused for long periods of time.
14. Refer all servicing to qualified service personnel. Servicing is required when the apparatus has been damaged in any way, such as power supply cord or plug is damaged, liquid has been spilled or objects have fallen into the apparatus, the apparatus has been exposed to rain or moisture, does not operate normally, or has been dropped.
15. Apparatus shall not be exposed to dripping or splashing and no objects filled with liquids, such as vases, shall be placed on the apparatus



The lightning flash with arrow head within a triangle is intended to tell the user that parts inside the product are a risk of electric shock to persons.



The exclamation point within a triangle is intended to tell the user that important operating and servicing instructions are in the papers with the appliance.

This Class B digital apparatus complies with Canadian ICES-003.

NOTE: This equipment has been tested and found to comply with the limits for a Class B digital device, pursuant to Part 15 of the FCC Rules. These limits are designed to provide reasonable protection against harmful interference in a residential installation. This equipment generates, uses and can radiate radio frequency energy and, if not installed and used in accordance with the instructions, may cause harmful interference to radio communications. However, there is no guarantee that interference will not occur in a particular installation. If this equipment does cause harmful interference to radio or television reception, which can be determined by turning the

equipment off and on, the user is encouraged to try to correct the interference by one or more of the following measures:

- Reorient or relocate the receiving antenna.
- Increase the separation between the equipment and the receiver.
- Connect the equipment into an outlet on a circuit different from that to which the receiver is connected
- Consult the dealer or an experienced radio/TV technician for help.

NOTICE: Per FCC Part 15, changes or modifications to this equipment not expressly approved by DEWALT could void your authority to operate this equipment.

⚠ WARNING: To reduce the risk of fire or electric shock, do not expose this apparatus to rain or moisture. **Use only in dry locations.**

⚠ CAUTION: To prevent electric shock, ensure mains supply is earthed and only a 3 pin plug is used .

Electrical Safety

The electric motor has been designed for one voltage only. Always check that the power supply corresponds to the voltage on the rating plate. 240 V AC means your tool will operate on alternating current. As little as 10% lower voltage can cause loss of power and can result in overheating. All DEWALT tools are factory tested; if this tool does not operate, check the power supply. Your DEWALT tool is double insulated, therefore no earth wire is required.

- **Young children and the infirm.** This appliance is not intended for use by young children or infirm persons without supervision. Young children should be supervised to ensure that they do not play with this appliance.
- **Replacement of the supply cord.** If the supply cord is damaged, it must be replaced by the manufacturer or an authorised DEWALT Service Centre in order to avoid a hazard.

Extension Cords

⚠ CAUTION: Use only extension cords that are approved by the country's Electrical Authority. Before using extension cords, inspect them for loose or exposed wires, damaged insulation and defective fittings. Replace the cord if necessary.

MINIMUM GAUGE FOR CORD SETS

For Cable length (m):	7.5	15	25	30	45	60
Use Cable with minimum rating (Amperes)						
Tool Amperes						
0 - 3.4	7.5	7.5	7.5	7.5	7.5	7.5
3.5 - 5.0	7.5	7.5	7.5	7.5	10	15
5.1 - 7.0	10	10	10	10	15	15
7.1 - 12.0	15	15	15	15	20	20
12.1 - 20.0	20	20	20	20	25	–

- The label on your tool may include the following symbols. The symbols and their definitions are as follows:

V.....volts	A.....amperes
Hz.....hertz	W.....watts
min.....minutes	~.....alternating current
==.....direct current	⎓.....alternating or direct current
ⓘ.....Class I Construction (grounded)	n ₀no load speed
Ⓚ.....Class II Construction (double insulated)	⊕.....earthing terminal
.../min.....per minute	⚠.....safety alert symbol
⚠.....shock hazard symbol	BPM.....beats per minute
	RPM.....revolutions per minute

Important Safety Instructions for All Battery Packs

When ordering replacement battery packs, be sure to include catalog number and voltage. Consult the chart at the end of this manual for compatibility of chargers and battery packs.

The battery pack is not fully charged out of the carton. Before using the battery pack and charger, read the safety instructions below. Then follow charging procedures outlined.

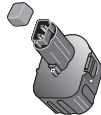
READ ALL INSTRUCTIONS

- **Do not charge or use battery in explosive atmospheres, such as in the presence of flammable liquids, gases or dust.** Inserting or removing the battery from the charger may ignite the dust or fumes.
- **NEVER force battery pack into charger. DO NOT modify battery pack in any way to fit into a non-compatible charger as battery pack may rupture causing serious personal injury.** Consult the chart at the end of this manual for compatibility of batteries and chargers.
- Charge the battery packs only in DeWALT chargers.
- **DO NOT** splash or immerse in water or other liquids.
- **Do not store or use the tool and battery pack in locations where the temperature may reach or exceed 105°F (40°C) (such as outside sheds or metal buildings in summer).**

⚠ DANGER: Electrocutation hazard. Never attempt to open the battery pack for any reason. If battery pack case is cracked or damaged, do not insert into charger. Do not crush, drop or damage battery pack. Do not use a battery pack or charger that has received a sharp blow, been dropped, run over or damaged in any way (i.e., pierced with a nail, hit with a hammer, stepped on). Electric shock or electrocution may result. Damaged battery packs should be returned to service center for recycling.

NOTE: Battery storage and carrying caps are provided for use whenever the battery is out of the tool or charger. Remove cap before placing battery in charger or tool.

⚠ WARNING: Fire hazard. Do not store or carry battery so that metal objects can contact exposed battery terminals. For example, do not place battery in aprons, pockets, tool boxes, product kit boxes, drawers, etc., with loose nails, screws, keys, etc. without battery cap. **Transporting batteries can possibly cause fires if the battery terminals inadvertently come in contact with conductive materials such as keys, coins, hand tools and the like.** The US Department of Transportation Hazardous Material Regulations (HMR) actually prohibit transporting batteries in commerce or on airplanes (i.e., packed in suitcases and carry-on luggage) UNLESS they are properly protected from short circuits. So when transporting individual batteries, make sure that the battery terminals are protected and well insulated from materials that could contact them and cause a short circuit.



SPECIFIC SAFETY INSTRUCTIONS FOR NICKEL CADMIUM (NiCd) OR NICKEL METAL HYDRIDE (NiMH)

- **Do not incinerate the battery pack even if it is severely damaged or is completely worn out.** The battery pack can explode in a fire.
- **A small leakage of liquid from the battery pack cells may occur under extreme usage or temperature conditions.** This does not indicate a failure.

However, if the outer seal is broken:

- a. and the battery liquid gets on your skin, immediately wash with soap and water for several minutes.
- b. and the battery liquid gets into your eyes, flush them with clean water for a minimum of 10 minutes and seek immediate medical attention. **(Medical note:** The liquid is 25-35% solution of potassium hydroxide.)

SPECIFIC SAFETY INSTRUCTIONS FOR LITHIUM ION (LI-ION)

- **Do not incinerate the battery pack even if it is severely damaged or is completely worn out.** The battery pack can explode in a fire. Toxic fumes and materials are created when lithium ion battery packs are burned.
- **If battery contents come into contact with the skin, immediately wash area with mild soap and water.** If battery liquid gets into the eye, rinse water over the open eye for 15 minutes or until irritation ceases. If medical attention is needed, the battery electrolyte is composed of a mixture of liquid organic carbonates and lithium salts.
- **Contents of opened battery cells may cause respiratory irritation.** Provide fresh air. If symptoms persists, seek medical attention.

⚠ WARNING: Burn hazard. Battery liquid may be flammable if exposed to spark or flame.

Labels on Charger and Battery Pack

In addition to the pictographs used in this manual, the labels on the charger and the battery pack show the following pictographs:



Read instruction manual before use.



Battery charging.



Battery charged.



Battery defective.



Hot/cold pack delay.



Do not probe with conductive objects.



Do not charge damaged battery packs.



Use only with DEWALT battery packs, others may burst, causing personal injury and damage.



Do not expose to water.



Have defective cords replaced immediately.



Charge only between 4 °C and 40 °C.



Discard the battery pack with due care for the environment.



Do not incinerate the battery pack
NiMH, NiCd+ and Li-Ion.



Charges NiMH and NiCd
battery packs.



Charges Li-Ion battery packs.



See technical data for charging time.

The RBRC™ Seal

The RBRC™ (Rechargeable Battery Recycling Corporation) Seal on the nickel cadmium, nickel metal hydride or lithium ion batteries (or battery packs) indicate that the costs to recycle these batteries (or battery packs) at the end of their useful life have already been paid by DEWALT. In some areas, it is illegal to place spent nickel cadmium, nickel metal hydride or lithium ion batteries in the trash or municipal solid waste stream and the RBRC™ program provides an environmentally conscious alternative.

RBRC™ in cooperation with DEWALT and other battery users, has established programs in the United States and Canada to facilitate the collection of spent nickel cadmium, nickel metal hydride or lithium ion batteries. Help protect our environment and conserve natural resources by returning the spent nickel cadmium and nickel cadmium, nickel metal hydride or lithium ion batteries to an authorized DEWALT service center or to your local retailer for recycling. You may also contact your local recycling center for information on where to drop off the spent battery.

RBRC™ is a registered trademark of the *Rechargeable Battery Recycling Corporation*.



Important Safety Instructions for All Battery Chargers

SAVE THESE INSTRUCTIONS: This manual contains important safety and operating instructions for the DC013 charger/radio.

- Before using charger, read all instructions and cautionary markings on charger, battery pack, and product using battery pack.

⚠ DANGER: Electrocutation hazard. 230 volts are present at charging terminals. Do not probe with conductive objects. Electric shock or electrocution may result.

⚠ WARNING: Shock hazard. Do not allow any liquid to get inside charger. Electric shock may result.

⚠ CAUTION: Burn hazard. To reduce the risk of injury, charge only DeWALT rechargeable batteries. Other types of batteries may burst causing personal injury and damage.

⚠ CAUTION: Under certain conditions, with the charger plugged in to the power supply, the exposed charging contacts inside the charger can be shorted by foreign material. Foreign materials of a conductive nature such as, but not limited to, steel wool, aluminum foil, or any buildup of metallic particles should be kept away from charger cavities. Always unplug the charger from the power supply when there is no battery pack in the cavity. Unplug charger before attempting to clean.

- **DO NOT attempt to charge the battery pack with any chargers other than the ones in this manual.** The charger and battery pack are specifically designed to work together.
- **These chargers are not intended for any uses other than charging DeWALT rechargeable batteries.** Any other uses may result in risk of fire, electric shock or electrocution.
- **Do not expose charger to rain or snow.**
- **Pull by plug rather than cord when disconnecting charger.** This will reduce risk of damage to electric plug and cord.
- **Make sure that cord is located so that it will not be stepped on, tripped over, or otherwise subjected to damage or stress.**
- **Do not use an extension cord unless it is absolutely necessary.** Use of improper extension cord could result in risk of fire, electric shock, or electrocution.

- **An extension cord must have adequate wire size (AWG or American Wire Gauge) for safety.** The smaller the gauge number of the wire, the greater the capacity of the cable, that is 16 gauge has more capacity than 18 gauge. When using more than one extension to make up the total length, be sure each individual extension contains at least the minimum wire size.

Use of Extension Cords

Only use grounded extension cords that are rated for outdoor use and equipment with a third-wire ground.

When a long extension cord is used to connect a worklight/charger or tool to a generator, a voltage drop occurs. The longer the cord, the greater the voltage drop. This results in less voltage being supplied to the worklight/charger or tool and increases the amount of current (amp) draw or reduces performance. A heavier cord with a larger wire size will reduce the voltage drop. Be sure to choose a cord that will supply enough voltage to operate your tool or worklight/charger. The tables below indicate appropriate gauge for extension cords and the voltage drop caused by the use of extension cords, given different electrical loads.

⚠ WARNING: Keep electrical cords in good condition. Do not use worn, bare, or frayed cords because they can cause electrical shock.

⚠ WARNING: Operating equipment at low voltage can cause it to overheat. Using an excessively long extension cord can cause the cord to overheat.

- **Do not place any object on top of charger/radio or place the charger/radio on a soft surface that might block the ventilation slots and result in excessive internal heat. Place the charger/radio in a position away from any heat source.**
- **Do not operate charger/radio with a damaged cord or plug** — have them replaced immediately.
- **Do not operate the charger/radio if it has received a sharp blow, been dropped, or otherwise damaged in any way.** Take it to an authorized service center.
- **Do not disassemble charger/radio. Take it to an authorized service center when service or repair is required.** Incorrect reassembly may result in a risk of electric shock, electrocution or fire.

original pack is defective and should be returned to a service center or other collection site for recycling. If the new battery pack elicits the same trouble indication as the original, have the charger/radio tested at an authorized service center.

HOT/COLD PACK DELAY

The charger/radio has a Hot/Cold Pack Delay feature: when the charger/radio detects a battery that is hot, it automatically starts a Hot Pack Delay, suspending charging until the battery has cooled. After the battery has cooled, the charger/radio automatically switches to the Pack Charging mode. This feature ensures maximum battery life. The red light flashes long, then short while in the Hot Pack Delay mode.

PROBLEM POWER LINE

The charger/radio has a Problem Power Line indicator. When the charger/radio is used with some portable power sources such as generators or sources that convert DC to AC, the charger/radio may temporarily suspend operation, **flashing the red light with two fast blinks followed by a pause**. This indicates the power source is out of limits.

LEAVING THE BATTERY PACK IN THE CHARGER/RADIO

The charger/radio and battery pack can be left connected with the red light glowing indefinitely. The charger/radio will keep the battery pack fresh and fully charged.

NOTE: A battery pack will slowly lose its charge when kept out of the charger/radio. If the battery pack has not been kept on maintenance charge, it may need to be recharged before use. A battery pack may also slowly lose its charge if left in a charger/radio that is not plugged into an appropriate AC source.

WEAK BATTERY PACKS: The charger/radio can also detect a weak battery. Such batteries are still usable but should not be expected to perform as much work. In such cases, about 10 seconds after battery insertion, the charger/radio will beep rapidly 8 times to indicate a weak battery condition. The charger/radio will then go on to charge the battery to the highest capacity possible.

Important Charging Notes

1. Longest life and best performance can be obtained if the battery pack is charged when the air temperature is between 65°F and 75°F (18°- 24°C). DO NOT charge the battery pack in an air temperature below +40°F (+4.5°C), or above +105°F (+40.5°C). This is important and will prevent serious damage to the battery pack.

2. The charger/radio and battery pack may become warm to touch while charging. This is a normal condition, and does not indicate a problem. To facilitate the cooling of the battery pack after use, avoid placing the charger/radio or battery pack in a warm environment such as in a metal shed, or an uninsulated trailer.
3. If the battery pack does not charge properly:
 - a. Check current at receptacle by plugging in a lamp or other appliance.
 - b. Check to see if receptacle is connected to a light switch which turns power off when you turn out the lights.
 - c. Move the charger/radio and battery pack to a location where the surrounding air temperature is approximately 65°– 75°F (18°–24°C).
 - d. If charging problems persist, take the tool, battery pack and charger/radio to your local service center.
4. The battery pack should be recharged when it fails to produce sufficient power on jobs which were easily done previously. DO NOT CONTINUE to use under these conditions. Follow the charging procedure. You may also charge a partially used pack whenever you desire with no adverse affect on the battery pack.
5. Under certain conditions, with the charger/radio plugged into the power supply, the exposed charging contacts inside the charger can be shorted by foreign material. Foreign materials of a conductive nature such as, but not limited to, steel wool, aluminum foil, or any buildup of metallic particles should be kept away from charger/radio cavities. Always keep the battery door closed when there is no battery pack in the cavity. Unplug charger/radio before attempting to clean.
6. Do not freeze or immerse the charger/radio in water or any other liquid.

⚠ WARNING: Shock hazard. Don't allow any liquid to get inside the charger/radio. Electric shock may result.

⚠ CAUTION: Never attempt to open the battery pack for any reason. If the plastic housing of the battery pack breaks or cracks, return to a service center for recycling.

COMPONENTS (FIG. 1, 2)

- A. Power/Volume control
- B. Tuning dial
- C. Arrow buttons
- D. Mode button
- E. Clock button
- F. Memory buttons
- G. LCD display
- H. Battery compartment latch
- I. Charging receptacle
- J. Charging light
- K. Auxiliary port
- L. USB Power outlet port
- M. Coin cell battery door
- N. Coin cell battery
- O. Outlets
- P. Battery door screw

OPERATING THE RADIO (FIG. 1, 2)

Your charger/radio is equipped with memory capacity in order to store the time and your selected memory channels. When the radio is in the off position, this memory capacity is powered by one coin cell battery that is included with the charger/radio.

AC Operation

Unwrap power cord and plug into 230 V AC wall outlet.

FIG 1

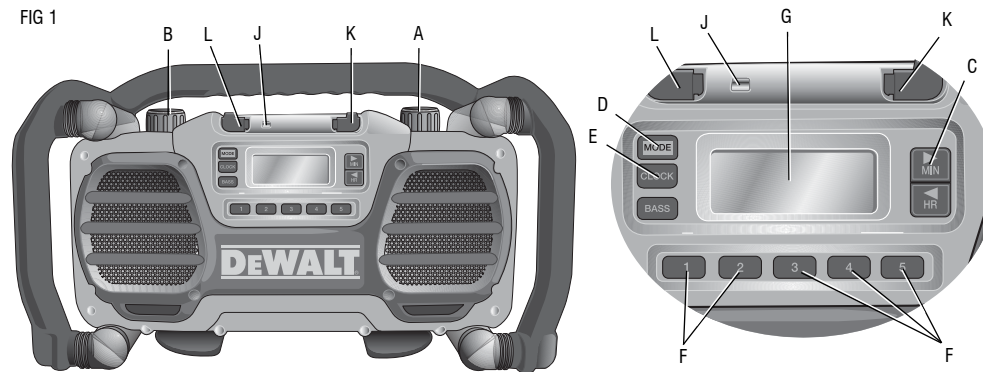
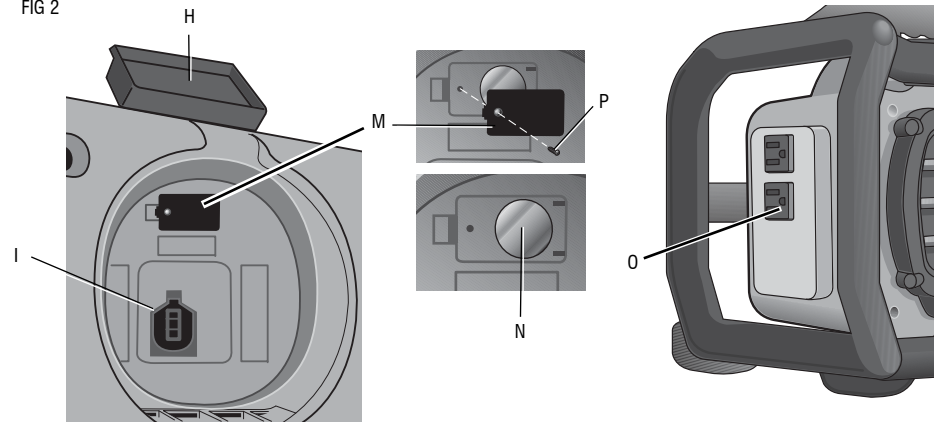


FIG 2



TO INSTALL COIN CELL BATTERY

⚠ WARNING: Danger of explosion if battery is incorrectly replaced. When replacing battery, replace it with the same or equivalent type CR2032. Observe correct polarity (+ and -) when replacing batteries. Do not store or carry batteries so that metal objects can contact exposed battery terminals.

⚠ WARNING: To reduce the risk of serious personal injury, turn tool off and disconnect charger/radio from power source before installing/changing battery.

1. Open the battery compartment by lifting the battery compartment latch (H).
2. Turn the screw (P) on the battery door (M) counterclockwise to remove.
3. Press down on the battery door latch and pull to open.
4. Install the coin cell battery (N) according to the diagram inside the coin cell battery area.
5. Replace the battery door, insert the screw and tighten.
6. Securely close the battery compartment.

NOTE: To reset the LCD display, clock and pre-sets, remove the coin cell battery and re-install them. Follow this procedure if the screen seems to lock in place.

POWER/VOLUME ADJUSTMENT

1. To turn the radio on, turn the dial (A) clockwise until you hear a click.
2. Turn the dial (A) clockwise to increase the volume. To decrease the volume, turn counterclockwise.

MODE FUNCTION

To choose one of the mode functions (FM1, FM2, AM, or AUX) push the mode button (D) until the desired function is found. For example, if the radio is on FM1, seen in upper left portion of LCD display (G), push the mode button three times to change to AUX.

TUNE OR SEEK FUNCTION

There are two tuning methods and one seek method for finding the desired frequency.

To Tune:

Method 1: Push and hold down the right arrow button (C) to quickly move the tuner up the frequency band. Release the button when the desired channel is reached. To quickly move the tuner down the frequency band, push and hold down the left arrow button.

Method 2: Turn the tuning dial (B) clockwise to move up the frequency band. Turn the tuning dial counterclockwise to move down the frequency band.

To Seek:

Press the right arrow button (C) once and release. The tuner frequency will increase to seek the first radio station with acceptable clarity and stop at that station. The right arrow button may be pressed again to continue seeking a radio station at higher frequencies. The left arrow button may be pressed to seek radio stations at lower frequencies. The seek function is available in AM and FM modes.

TO PROGRAM THE CLOCK

1. Turn power on (see **Power/Volume Adjustment**).
2. Push and hold clock button (E) until the LCD display (G) begins flashing.
3. Press the appropriate arrow button (**HR** for hour; **MIN** for minute) to adjust the time.

NOTE: If you do not press a button within 5 seconds, the clock programming feature will automatically return to the previous setting.

4. Once the time is set, push and hold the clock button until the time on the LCD display stops flashing.

TO PROGRAM THE MEMORY BUTTONS

Ten FM and five AM radio stations may be independently set. After programming the buttons, pressing 1, 2, 3, 4 or 5 will instantly change the frequency to the preset station.

1. Turn power on.
2. Set the radio to desired station (see **Tune or Seek Function**).
3. Press and hold one of the desired memory buttons (F). The station setting begins flashing in the LCD display (G). Continue to hold the button down until the flashing stops. The memory button is now set.
4. Repeat steps 2 and 3 to set the other memory buttons.

Important Radio Notes

1. The radio will run up to 8 hours on a single battery charge using an 18 volt battery. Using batteries of lower voltage will produce less run time.
2. Reception will vary depending on location and strength of radio signal.
3. Certain generators may cause background noise.

4. AM reception will most likely be clearer when powered by a battery pack.
5. To use the auxiliary port (K), plug the output jack from a CD or iPod®*/MP3 player into the port (Fig. 1). The sound from the external source plays through the speakers of the DC013.
6. The USB power outlet port (L) is a connection port for powering low power devices such as mobile phones, CD or MP3 players.

*iPod® is a registered trademark of *Apple Inc.*

THE FOLLOWING BATTERIES ARE COMPATIBLE WITH THIS CHARGER/RADIO:

DE9057	7.2V	NICD	1.3Ah
DE9084	7.2V	NIMH	2.0Ah
DE9062	9.6V	NICD	1.3Ah
DE9061	9.6V	NICD	2.0Ah
DE9074	12 V	NiCd	1.3 Ah
DE9071	12 V	NiCd	2.0 Ah
DE9075	12 V	NiCd	2.4 Ah
DE9501	12 V	NiMH	2.6 Ah
DE9094	14.4 V	NiCd	1.3 Ah
DE9091	14.4 V	NiCd	2.0 Ah
DE9092	14.4 V	NiCd	2.4 Ah
DE9502	14.4 V	NiMH	2.6 Ah
DE9140	14.4 V	Li-Ion	2.0 Ah
DE9098	18 V	NiCd	1.3 Ah
DE9095	18 V	NiCd	2.0 Ah
DE9096	18 V	NiCd	2.4 Ah
DE9503	18 V	NiMH	2.6 Ah
DE9180	18 V	Li-Ion	2.0 Ah

MAINTENANCE

Service Notes

This product is not user serviceable. There are no user serviceable parts inside the charger/radio. Servicing at an authorized service center is required to avoid damage to static sensitive internal components.

Cleaning

⚠ WARNING: Never use solvents or other harsh chemicals for cleaning the non-metallic parts of the charger/radio. These chemicals may weaken the materials used in these parts. Use a cloth dampened only with water and mild soap. Never let any liquid get inside the tool; never immerse any part of the tool into a liquid.

⚠ CAUTION: NEVER spray or in any other way apply lubricants or cleaning solvents inside the tool. This can seriously affect the life and performance of the tool.

CHARGER/RADIO CLEANING INSTRUCTIONS

⚠ WARNING: Disconnect the charger/radio from the AC outlet before cleaning. Dirt and grease may be removed from the exterior of the charger/radio using a cloth or soft non-metallic brush. Do not use water or any cleaning solutions.

Repairs

To assure product SAFETY and RELIABILITY, repairs, maintenance and adjustment (including brush inspection and replacement) should be performed by certified service centers or other qualified service organizations, always using identical replacement parts.

Guarantee

Applicable to hand held Power Tools, Lasers and Nailers.

Three Year Limited Warranty

DeWALT will repair, without charge, any defects due to faulty materials or workmanship for three years from the date of purchase. Please return the complete unit, transportation prepaid, to any DeWALT Service Centre, or any authorised service station.

For warranty repair information, call (AUS) 1800 654 155 or (NZ) 0800 339258.

This warranty does not apply to

- Accessories
- Damage caused where repairs have been made or attempted by others.
- Damage due to misuse, neglect, wear and tear, alteration or modification.

This warranty gives you specific legal rights and you may have other rights under the provisions of the Consumer Guarantee Act 1993 (New Zealand only), Trade Practices Act 1974 and State Legislation (Australia only).

In addition to the warranty, DeWALT tools are covered by our:

FREE ONE YEAR SERVICE CONTRACT

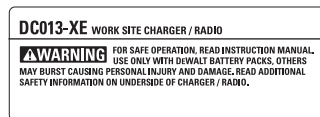
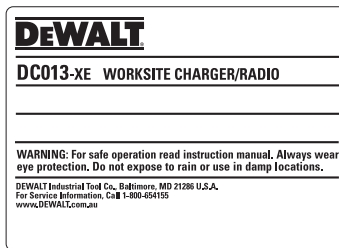
DeWALT will also maintain the tool for free at any time during the first year of purchase. This includes labour, parts and lubrication required to restore the product to sound mechanical and/or electrical condition. Normal wear parts are not covered in this service. Carbon brushes worn more than 50% will be replaced.

NOTE: Three Year Warranty is not applicable to items deemed as consumables. Radial arm saws are covered by a one (1) year warranty only. DeWALT Reserves the right to review its warranty policy prior to launch of any new business development products.

30 DAY NO SATISFACTION GUARANTEE

If you are dissatisfied with any DeWALT power tool, laser or nailer, for any reason, simply return it to the point of purchase with your sales receipt within 30 days for a replacement unit or a full refund.

FREE WARNING LABEL REPLACEMENT: If your warning labels become illegible or are missing, call (AUS) 1800 654 155 or (NZ) 0800 339258 for a free replacement.







DEWALT Industrial Tool Co.,
20 Fletcher Road, Mooroolbark, VIC 3138 Australia (03 8720 5100) • 5 Te Apunga Place, Mt Wellington, New Zealand (0800 339258)
(DEC09) Part No. N031868 DC013-XE Copyright © 2009 DEWALT

The following are trademarks for one or more DEWALT power tools: the yellow and black color scheme; the "D" shaped air intake grill; the array of pyramids on the handgrip; the kit box configuration; and the array of lozenge-shaped humps on the surface of the tool.