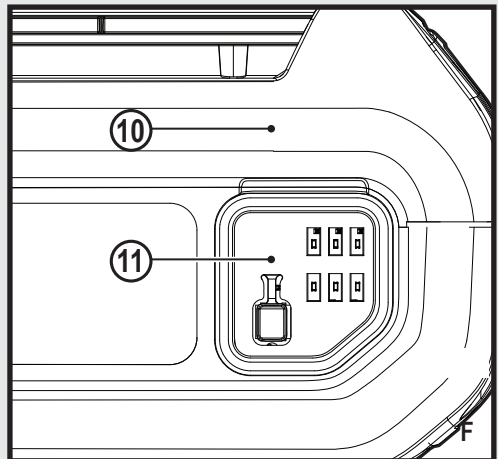
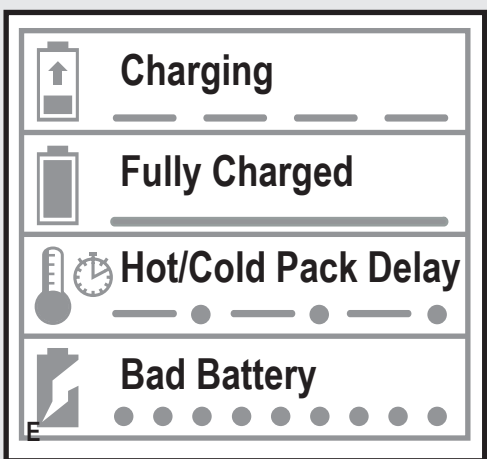
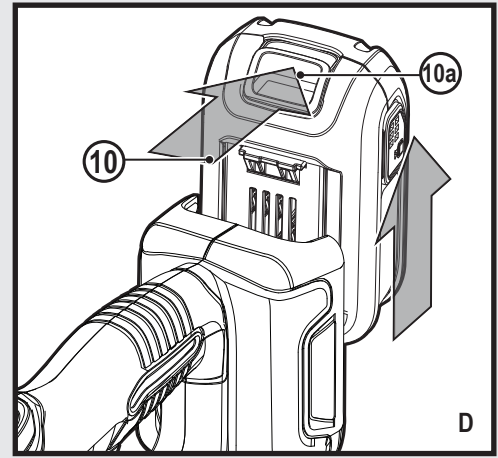
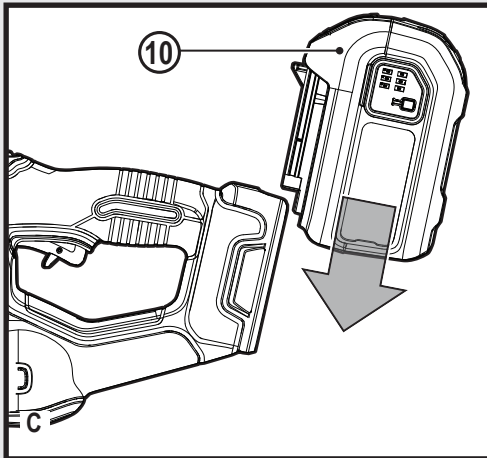
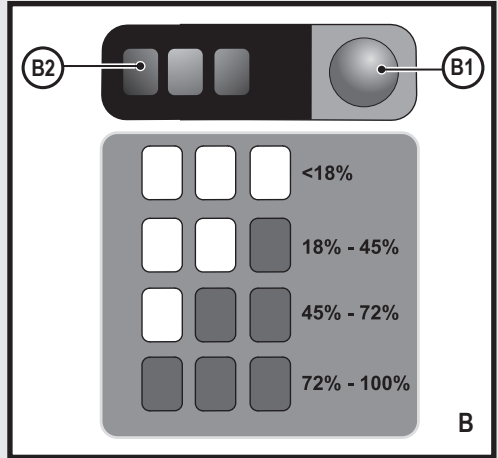
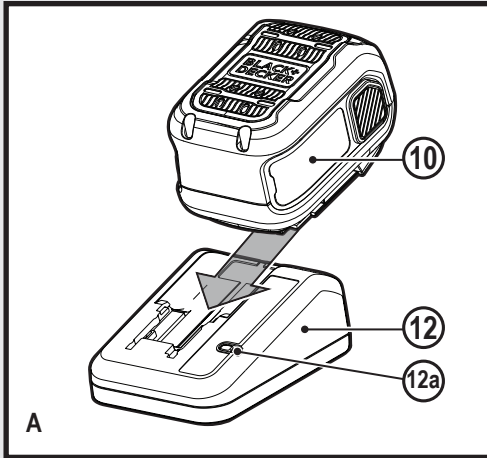
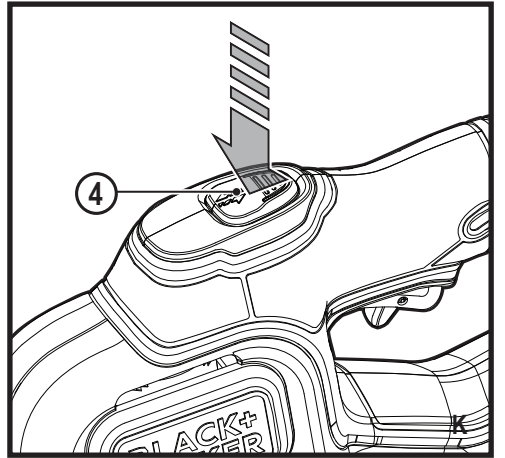
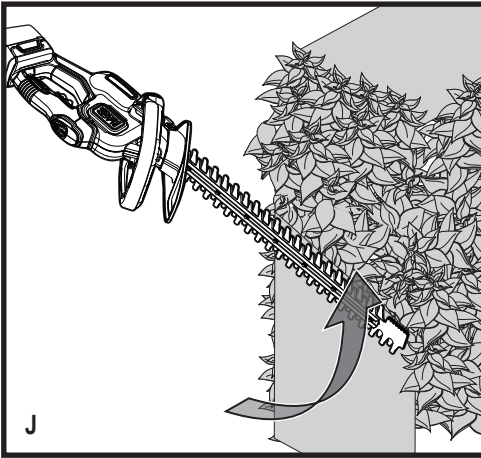
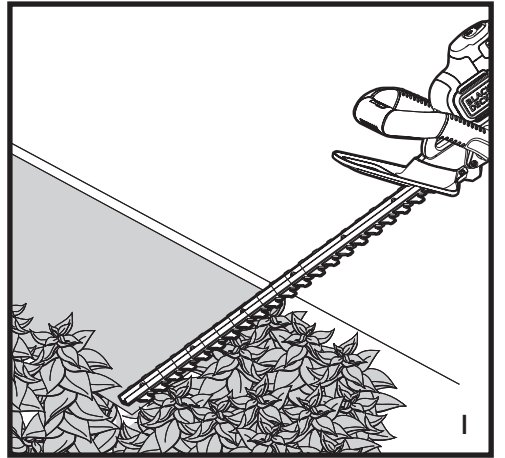
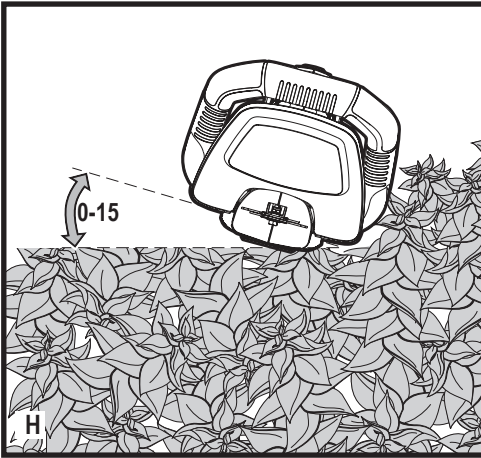
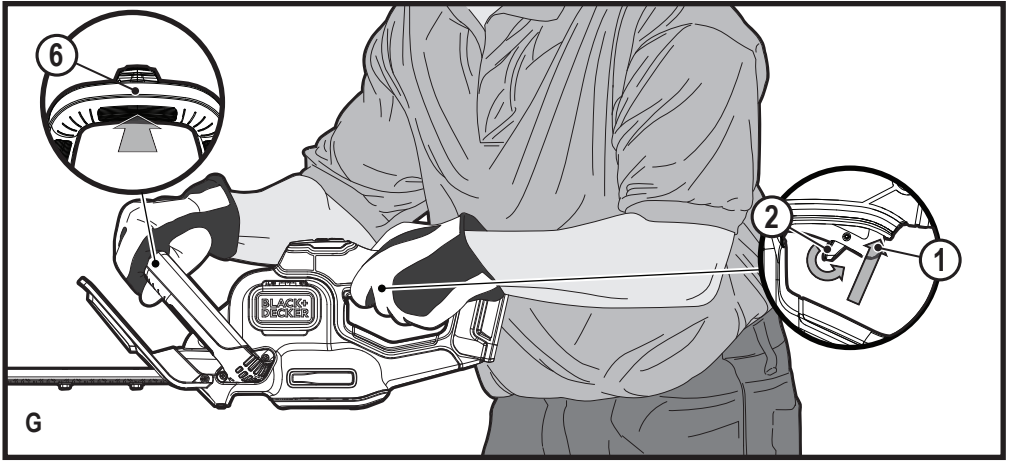
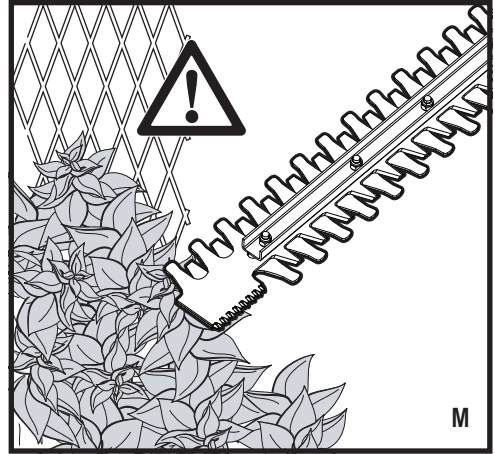
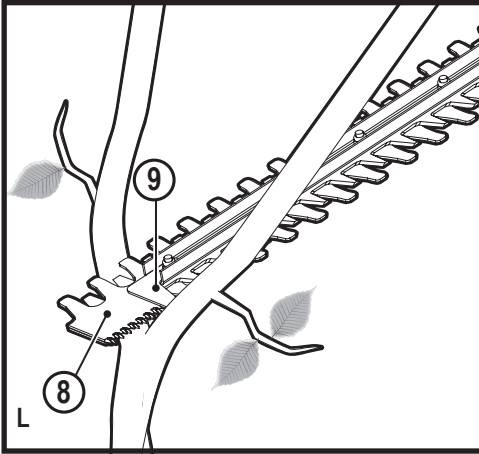


www.blackanddecker.eu

GTC5455PC
GTC5455PCB







Intended use

Your BLACK+DECKER™ GTC5455PC, GTC5455PCB hedge trimmers have been designed for trimming hedges, shrubs and brambles. These tool are intended for consumer use only.

Safety instructions

General power tool safety warnings



Warning! Read all safety warnings and all instructions. Failure to follow the warnings and instructions listed below may result in electric shock, fire and/or serious injury.

Save all warnings and instructions for future reference.

The term "power tool" in the warnings refers to your mains operated (corded) power tool or battery operated (cordless) power tool.

1. Work area safety

- a. **Keep work area clean and well lit.** Cluttered or dark areas invite accidents.
- b. **Do not operate power tools in explosive atmospheres, such as in the presence of flammable liquids, gases or dust.** Power tools create sparks which may ignite the dust or fumes.
- c. **Keep children and bystanders away while operating a power tool.** Distractions can cause you to lose control.

2. Electrical safety

- a. **Power tool plugs must match the outlet. Never modify the plug in any way. Do not use any adapter plugs with earthed (grounded) power tools.** Unmodified plugs and matching outlets will reduce risk of electric shock.
- b. **Avoid body contact with earthed or grounded surfaces such as pipes, radiators, ranges and refrigerators.**

There is an increased risk of electric shock if your body is earthed or grounded.

- c. **Do not expose power tools to rain or wet conditions.** Water entering a power tool will increase the risk of electric shock.
 - d. **Do not abuse the cord. Never use the cord for carrying, pulling or unplugging the power tool. Keep cord away from heat, oil, sharp edges or moving parts.** Damaged or entangled cords increase the risk of electric shock.
 - e. **When operating a power tool outdoors, use an extension cord suitable for outdoor use.** Use of a cord suitable for outdoor use reduces the risk of electric shock.
 - f. **If operating a power tool in a damp location is unavoidable, use a residual current device (RCD) protected supply.** Use of an RCD reduces the risk of electric shock.
- #### 3. Personal safety
- a. **Stay alert, watch what you are doing and use common sense when operating a power tool. Do not use a power tool while you are tired or under the influence of drugs, alcohol or medication.** A moment of inattention while operating power tools may result in serious personal injury.
 - b. **Use personal protective equipment. Always wear eye protection.** Protective equipment such as dust mask, non-skid safety shoes, hard hat, or hearing protection used for appropriate conditions will reduce personal injuries.
 - c. **Prevent unintentional starting. Ensure the switch is in the off-position before connecting to power source and/or battery pack, picking up or carrying the tool.** Carrying power tools with your finger on the switch or energising power tools that have the switch on invites accidents.

- d. **Remove any adjusting key or wrench before turning the power tool on.** A wrench or a key left attached to a rotating part of the power tool may result in personal injury.
- e. **Do not overreach. Keep proper footing and balance at all times.** This enables better control of the power tool in unexpected situations.
- f. **Dress properly. Do not wear loose clothing or jewellery. Keep your hair, clothing and gloves away from moving parts.** Loose clothes, jewellery or long hair can be caught in moving parts.
- g. **If devices are provided for the connection of dust extraction and collection facilities, ensure these are connected and properly used.** Use of dust collection can reduce dust-related hazards.
- 4. Power tool use and care**
- a. **Do not force the power tool. Use the correct power tool for your application.** The correct power tool will do the job better and safer at the rate for which it was designed.
- b. **Do not use the power tool if the switch does not turn it on and off.** Any power tool that cannot be controlled with the switch is dangerous and must be repaired.
- c. **Disconnect the plug from the power source and/or the battery pack from the power tool before making any adjustments, changing accessories, or storing power tools.** Such preventive safety measures reduce the risk of starting the power tool accidentally.
- d. **Store idle power tools out of the reach of children and do not allow persons unfamiliar with the power tool or these instructions to operate the power tool.** Power tools are dangerous in the hands of untrained users.
- e. **Maintain power tools. Check for misalignment or binding of moving parts, breakage of parts and any other condition that may affect the power tools operation. If damaged, have the power tool repaired before use.** Many accidents are caused by poorly maintained power tools.
- f. **Keep cutting tools sharp and clean.** Properly maintained cutting tools with sharp cutting edges are less likely to bind and are easier to control.
- g. **Use the power tool, accessories and tool bits etc. In accordance with these instructions, taking into account the working conditions and the work to be performed.** Use of the power tool for operations different from those intended could result in a hazardous situation.
- 5. Battery tool use and care**
- a. **Recharge only with the charger specified by the manufacturer.** A charger that is suitable for one type of battery pack may create a risk of fire when used with another battery pack.
- b. **Use power tools only with specifically designated battery packs.** Use of any other battery packs may create a risk of injury and fire.
- c. **When battery pack is not in use, keep it away from other metal objects, like paper clips, coins, keys, nails, screws, or other small metal objects, that can make a connection from one terminal to another.** Shorting the battery terminals together may cause burns or a fire.
- d. **Under abusive conditions, liquid may be ejected from the battery; avoid contact. If contact accidentally occurs, flush with water. If liquid contacts eyes, additionally seek medical help.** Liquid ejected from the battery may cause irritation or burns.
- 6. Service**
- a. **Have your power tool serviced by a qualified repair person using only identical replacement parts.** This will ensure that the safety of the power tool is maintained.

Additional power tool safety warnings



Warning! Additional safety warnings for hedge trimmers

- ◆ **Keep all parts of the body away from the cutter blade. Do not remove cut material or hold material to be cut when blades are moving. Make sure the switch is off when clearing jammed material.** A moment of inattention while operating the tool can result in serious personal injury.
- ◆ **Carry the hedge trimmer by the handle with the cutter blade stopped. When transporting or storing the hedge trimmer always fit the cutting device cover.** Proper handling of the hedge trimmer will reduce possible personal injury from the cutter blades.
- ◆ **Hold the power tool by insulated gripping surfaces only, because the cutter blade may contact hidden wiring.** Cutter blades contacting a "live" wire may make exposed metal parts of the power tool "live" and could give the operator an electric shock.
- ◆ The intended use is described in this instruction manual. The use of any accessory or attachment or performance of any operation with this tool other than those recommended in this instruction manual can present a risk of personal injury and/or damage to property.
- ◆ Do not carry the tool with your hands on the front handle, switch or the trigger switch unless the battery has been removed.
- ◆ If you have not used a hedge trimmer before, preferably seek practical instruction by an experienced user in addition to studying this manual.
- ◆ Never touch the blades while the tool is running.

- ◆ Never attempt to force the blades to come to a standstill.
- ◆ Do not put the tool down until the blades have come to a complete standstill.
- ◆ Regularly check the blades for damage and wear. Do not use the tool when the blades are damaged.
- ◆ Take care to avoid hard objects (e.g. metal wire, railings) when trimming. Should you accidentally hit any such object, immediately switch the tool off and check for any damage.
- ◆ Should the tool start to vibrate abnormally, immediately switch it off and remove the battery then check for any damage.
- ◆ If the tool stalls, immediately switch it off. Remove the battery before attempting to remove any obstructions.
- ◆ After use, place the blade sheath supplied over the blades. Store the tool, making sure that the blade is not exposed.
- ◆ Always ensure that all guards are fitted when using the tool. Never attempt to use an incomplete tool or a tool with unauthorised modifications.
- ◆ Never allow children to use the tool.
- ◆ Be aware of falling debris when cutting the higher sides of a hedge.
- ◆ Always hold the tool with both hands and by the handles provided.

Safety of others

- ◆ This appliance is not intended for use by persons (including children) with reduced physical, sensory or mental capabilities, or lack of experience and knowledge, unless they have been given supervision or instruction concerning use of the appliance by a person responsible for their safety.
- ◆ Children should be supervised to ensure that they do not play with the appliance.

Residual risks.

Additional residual risks may arise when using the tool which may not be included in the enclosed safety warnings. These risks can arise from misuse, prolonged use etc.

Even with the application of the relevant safety regulations and the implementation of safety devices, certain residual risks can not be avoided. These include:

- ◆ Injuries caused by touching any rotating/moving parts.
- ◆ Injuries caused when changing any parts, blades or accessories.
- ◆ Injuries caused by prolonged use of a tool. When using any tool for prolonged periods ensure you take regular breaks.
- ◆ Impairment of hearing.
- ◆ Health hazards caused by breathing dust developed when using your tool (example:- working with wood, especially oak, beech and MDF.)

Vibration

The declared vibration emission values stated in the technical data and the declaration of conformity have been measured in accordance with a standard test method provided by EN 60745 and may be used for comparing one tool with another. The declared vibration emission value may also be used in a preliminary assessment of exposure.

Warning! The vibration emission value during actual use of the power tool can differ from the declared value depending on the ways in which the tool is used. The vibration level may increase above the level stated.

When assessing vibration exposure to determine safety measures required by 2002/44/EC to protect persons regularly using power tools in employment, an estimation of vibration exposure should consider, the actual conditions of use and the way the tool is used, including taking account of all parts of the operating cycle such as the times when the tool is switched off and when it is running idle in addition to the trigger time.

Labels on tool

The following pictograms are shown on the tool along with the date code:



Warning! To reduce the risk of injury, the user must read the instruction manual.



Wear safety glasses or goggles when operating this tool.



Wear ear protection when operating this tool.



Do not expose the tool to rain or high humidity.



Directive 2000/14/EC guaranteed sound power.

Additional safety instructions for batteries and chargers

Batteries

- ◆ Never attempt to open for any reason.
- ◆ Do not expose the battery to water.
- ◆ Do not store in locations where the temperature may exceed 40 °C.
- ◆ Charge only at ambient temperatures between 10 °C and 40 °C.

- ◆ Charge only using the charger provided with the tool.
- ◆ When disposing of batteries, follow the instructions given in the section "Protecting the environment".



Do not attempt to charge damaged batteries.

Chargers

- ◆ Use your BLACK+DECKER charger only to charge the battery in the tool with which it was supplied. Other batteries could burst, causing personal injury and damage.
- ◆ Never attempt to charge non-rechargeable batteries.
- ◆ Have defective cords replaced immediately.
- ◆ Do not expose the charger to water.
- ◆ Do not open the charger.
- ◆ Do not probe the charger.



The charger is intended for indoor use only.



Read the instruction manual before use.

Important: Only the following chargers should be used to charge the 54v battery BL1554 & BL2554:
90589867, 90621477, 90590287-01, 90590289-01, 90602042-01, 90590287-02, 90590289-02, 90599854-02, 90599854-06, 90599853-05, 90634971, 90634972, 90634973, 90642266, 90642264, 90642265, BDC2A

Electrical safety



Your charger is double insulated; therefore no earth wire is required. Always check that the mains voltage corresponds to the voltage on the rating plate. Never attempt to replace the charger unit with a regular mains plug.

- ◆ If the supply cord is damaged, it must be replaced by the manufacturer or an authorised BLACK+DECKER Service Centre in order to avoid a hazard.

Features

This tool includes some or all of the following features.

1. Trigger switch
2. Lock off switch
3. Handle
4. POWERCOMMAND button
5. Blade guard
6. Bail handle
7. Blade
8. Saw blade
9. Saw blade shoe

10. Dualvolt battery pack (Only with GTC5455PC unit)
11. Dualvolt panel (Only with GTC5455PC unit)
12. Charger (Only with GTC5455PC unit)

Assembly

Warning! Before assembly, remove the battery from the tool fit the blade sheath over the blades.

Warning! Before assembly, make sure that the tool is switched off and unplugged and that the blade sheath is fitted over the blades.

Warning! Never use the tool without the guard.

Charging procedure

BLACK+DECKER chargers are designed to charge BLACK+DECKER battery packs.

- ◆ Plug the charger (12) into an appropriate outlet before inserting the battery pack.
- ◆ Insert the battery pack into the charger as shown in figure A.
- ◆ The green LED (12a) will flash indicating that the battery is being charged.
- ◆ The completion of charge is indicated by the green LED (12a) remaining on continuously. The pack is fully charged and may be used at this time or left on the charger.

Note: Recharge discharged batteries as soon as possible after use or battery life may be greatly diminished. For longest battery life, do not discharge batteries fully. It is recommended that the batteries be recharged after each use.

Leaving the battery in the charger

The charger (12) and battery pack (11) can be left connected with the LED glowing indefinitely. The charger will keep the battery pack fresh and fully charged.

Important charging notes

- ◆ Longest life and best performance can be obtained if the battery pack is charged when the air temperature is between 65°F and 75°F (18°- 24°C). DO NOT charge the battery pack in an air temperature below +40°F (+4.5°C), or above +105°F (+40.5°C). This is important and will prevent serious damage to the battery pack.
- ◆ The charger and battery pack may become warm to touch while charging. This is a normal condition, and does not indicate a problem. To facilitate the cooling of the battery pack after use, avoid placing the charger or battery pack in a warm environment such as in a metal shed, or an uninsulated trailer.
- ◆ If the battery pack does not charge properly:
 - ◆ Check current at receptacle by plugging in a lamp or other appliance.
 - ◆ Check to see if receptacle is connected to a light switch

which turns power off when you turn out the lights.

- ◆ Move charger and battery pack to a location where the surrounding air temperature is approximately 65°F - 75°F (18° - 24°C).
- ◆ If charging problems persist, take the tool, battery pack and charger to your local service center.
- ◆ The battery pack should be recharged when it fails to produce sufficient power on jobs which were easily done previously. DO NOT CONTINUE to use under these conditions. Follow the charging procedure. You may also charge a partially used pack whenever you desire with no adverse affect on the battery pack.
- ◆ Foreign materials of a conductive nature such as, but not limited to, steel wool, aluminium foil, or any buildup of metallic particles should be kept away from charger cavities. Always unplug the charger from the power supply when there is no battery pack in the cavity. Unplug charger before attempting to clean.
- ◆ Do not freeze or immerse charger in water or any other liquid.

Warning! Do not allow any liquid to get inside charger. Never attempt to open the battery pack for any reason. If the plastic housing of the battery pack breaks or cracks, return to a service center for recycling.

State of charge indicator (Fig.B)

The battery is equipped with a state of charge indicator. This can be used to display the current level of charge in the battery during use and during charging. It does not indicate tool functionality and is subject to variation based on product components, temperature and end-user application.

Checking state of charge during use

- ◆ Press the state of charge indicator button (B1).
- ◆ The three LEDs (B2) will illuminate, indicating the percent of charge in the battery. See chart in figure B.
- ◆ If LED light does not illuminate, charge battery.

Charger Diagnostics (Fig.E)

Refer to the indicators in figure E for the charge status of the battery pack.

Bad Battery

If you see a bad battery blink pattern, do not continue to charge this battery. Return it to a service center or a collection site for recycling.

Hot/Cold Pack Delay

When the charger detects a battery pack that is too hot or too cold, it automatically starts a Hot/Cold Pack Delay, suspending charging until the battery pack has reached an appropriate temperature. The charger then automatically

switches to the pack charging mode.

This feature ensures maximum battery pack life. A cold battery pack will charge at a slower rate than a warm battery pack. The pack will charge at that slower rate throughout the entire charging cycle and will not return to maximum charge rate even if the pack warms.

Installing and removing the battery pack from the tool

Warning! Make certain the lock-off button is engaged to prevent switch actuation before removing or installing battery.

To install battery pack Fig. C)

- ◆ Insert battery (10) into tool until an audible click is heard (Figure. C)
- ◆ Ensure battery pack is fully seated and fully latched into position.

To remove battery pack (Fig.D)

- ◆ Depress the battery release button (10a) as shown in figure D and pull battery pack (10) out of tool.

Dualvolt 54V Battery Pack (Fig.F)

The Dualvolt 54V battery pack can be used on 54V & 18V Black+Decker Cordless tools. The battery can recognise the tool it is inserted into and will run at the relevant power, providing longer runtime in 18V tools. There is a State of charge button (11) which will indicate the level charge at both 54V & 18V

Operation

- ◆ To turn the unit on, push the lock off button (2) down, squeeze the trigger (1) and depress the dual switch bail handle(6), as shown in figure G. Once the unit is running, you may release the lock-off button. In order to keep the unit running you must continue to squeeze the trigger.

Warning! Never attempt to lock a switch in the on position.

Trimming Instructions

- ◆ Maintain proper footing and balance and do not overreach. Wear safety goggles, non-skid footwear when trimming. Hold the unit firmly in both hands and turn the unit ON. Always hold the trimmer, as shown in the illustrations in this manual, with one hand on the switch handle and one hand on the bail handle (figureG). Never hold the unit by the blade guard.

Trimming new growth (Fig. H)

- ◆ A wide, sweeping motion, feeding the blade teeth through the twigs is most effective. A slight downward tilt of the blade, in the direction of motion gives the best cutting.

Warning! Do not cut stems greater than 19mm. Use the trimmer only for cutting normal shrubbery around houses and

buildings.

Level hedges (Fig. I)

- ◆ To obtain exceptionally level hedges a piece of string can be stretched along the length of the hedge as a guide.

Side trimming hedges (Fig. J)

- ◆ Hold the trimmer as shown and begin at the bottom and sweep up.

POWERCOMMAND (Fig.K)

If you encounter a jam, depress the POWERCOMMAND button (4) shown in figure K. The blades will move back and forth in a slower, more forceful rhythm to help cut through difficult branches. Release the button to return to normal hedge trimming usage.

Note: Once the button is released, the blades will immediately return to full speed.

Note: The blades will stop when the button is held for 15 seconds. To reengage the POWERCOMMAND feature, release the button and depress it again. DO NOT continuously hold the POWERCOMMAND button during normal hedge trimming.

Saw blade (Fig.L)

For branches too large for the blade (7) to cut, use the saw blade (8). Position the saw blade as close to the bottom of the branch as possible. Place the saw blade shoe (9) against the branch. Turn the hedge trimmer on as described above, allowing the tool to work at its own pace until the branch is fully cut.

Maintenance

Your BLACK+DECKER corded/cordless appliance/tool has been designed to operate over a long period of time with a minimum of maintenance. Continuous satisfactory operation depends upon proper tool care and regular cleaning.

Warning! Before performing any maintenance on corded/cordless power tools:

- ◆ Switch off and unplug the appliance/tool.
- ◆ Or switch off and remove the battery from the appliance/tool if the appliance/tool has a separate battery pack.
- ◆ Or run the battery down completely if it is integral and then switch off.
- ◆ Unplug the charger before cleaning it. Your charger does not require any maintenance apart from regular cleaning.
- ◆ Regularly clean the ventilation slots in your appliance/tool/charger using a soft brush or dry cloth.
- ◆ Regularly clean the motor housing using a damp cloth. Do not use any abrasive or solvent-based cleaner.
- ◆ After use, carefully clean the blades. After cleaning, apply a film of light machine oil to prevent the blades from rusting.

The cutting blades are made from high quality, hardened steel and with normal usage, they will not require resharpening.

However, if you accidentally hit a wire fence, stones, glass or other hard objects, you may put a nick in the blade.

There is no need to remove this nick as long as it does not interfere with the movement of the blade. If it does interfere, remove the battery and use a fine toothed file or sharpening stone to remove the nick.

If you drop the trimmer, carefully inspect it for damage. If the blade is bent, housing cracked, or handles broken or if you see any other condition that may affect the trimmer's operation contact your local BLACK+DECKER Service Center for repairs before putting it back into use. Fertilizers and other garden chemicals contain agents which greatly accelerate the corrosion of metals. Do not store the unit on or adjacent to fertilizers or chemicals. With the battery removed, use only mild soap and a damp cloth to clean the unit. Never let any liquid get inside the unit; never immerse any part of the unit into a liquid. Prevent the blades from rusting by applying a film of light machine oil after cleaning.

Mains plug replacement (U.K. & Ireland only)

If a new mains plug needs to be fitted:

- ◆ Safely dispose of the old plug.
- ◆ Connect the brown lead to the live terminal in the new plug.
- ◆ Connect the blue lead to the neutral terminal.

Warning! No connection is to be made to the earth terminal.

Follow the fitting instructions supplied with good quality plugs.

Recommended fuse: 5 A.

Troubleshooting		
Problem	Possible Cause	Possible Solution
Slow running, noisy or hot blades.	Dry, corroded blades.	Lubricate blades.
	Blade or blade support bent.	Straighten blade or blade support.
	Bent or damaged teeth.	Straighten teeth.
	Loose blade bolts.	Tighten blade bolts.
Unit will not start.	Battery not installed properly.	Check battery installation.
	Battery not charged.	Check battery charging requirements.
	Lock off not fully operated.	Check lock off is fully depressed prior to moving main trigger.

Troubleshooting		
Battery won't charge	Battery not inserted into charger.	Insert battery into charger until green LED appears. Charge up to 8 hours if battery totally drained.
	Charger not plugged in.	Plug charger into a working outlet. Refer to "Important Charging Notes" for more details. Check current at receptacle by plugging in a lamp or other appliance. Check to see if receptacle is connected to a light switch which turns power off when you turn out the light.
	Surrounding air temperature too hot or too cold.	Move charger and tool to a surrounding air temperature of above 40 degree F (4.5°C) or below 105 degree F (+40.5°C).

Level of sound pressure according to EN 60745:
Sound pressure: (L _{WA}) 78 dB(A), uncertainty (K) 3 dB(A)
Sound power: GTC18504PC (L _{WA}) 92.5 dB(A) uncertainty (K) 2.5 dB(A)
Vibration total values (triax vector sum) according to EN 60745:
Vibration emission value: GTC18504PC (a _v) 2.7 m/s ² , uncertainty (K) 1.5 m/s ²

Protecting the environment



Separate collection. Products and batteries marked with this symbol must not be disposed of with normal household waste.

Products and batteries contain materials that can be recovered or recycled reducing the demand for raw materials. Please recycle electrical products and batteries according to local provisions.

Technical data

		GTC5455PC	GTC5455PCB
Voltage	V _{DC}	54	54
Blade strokes (no load)	min ⁻¹	2600	2600
Blade length	cm	60	60
Blade gap	mm	19	19
Weight	kg	3.83	2.775
Battery		BL2554	Bare unit (no Battery)
Voltage	V _{DC}	54	
Capacity	Ah	1.5	
Type		Li-Ion	
Charger		BDC2A	Bare unit (no Charger)
Input voltage	V _{AC}	220 - 230	
Output voltage	V _{DC}	2000mA	
Current	mA	2000	
Approx charge time	hrs	2.75	

EC declaration of conformity
MACHINERY DIRECTIVE
OUTDOOR NOISE DIRECTIVE



GTC5455PC, GTC5455PCB Hedge Trimmer

Black & Decker declares that these products described under "technical data" are in compliance with: 2006/42/EC, EN 60745-1:2009 + A11:2010, EN 60745-2-15:2009 +A1:2010

2000/14/EC, Hedge trimmer 1300min⁻¹, Annex V

Measured sound power (L_{WA}) 92.5? dB(A)
Uncertainty (K) 2.5 dB(A)
Guaranteed sound power (L_{WA}) 92.5 dB(A)

These products also comply with Directive 2004/108/EC and 2011/65/EU. For more information, please contact Black & Decker at the following address or refer to the back of the manual.

The undersigned is responsible for compilation of the technical file and makes this declaration on behalf of Black & Decker.

Ray Laverick
Director of Engineering
Black & Decker Europe, 210 Bath Road, Slough,
Berkshire, SL1 3YD
United Kingdom
23/09/2016

Guarantee

Black & Decker is confident of the quality of its products and offers consumers a 24 month guarantee from the date of purchase. This guarantee is in addition to and in no way prejudices your statutory rights. The guarantee is valid within the territories of the Member States of the European Union and the European Free Trade Area.

To claim on the guarantee, the claim must be in accordance with Black&Decker Terms and Conditions and you will need to submit proof of purchase to the seller or an authorised repair agent. Terms and conditions of the Black&Decker 2 year guarantee and the location of your nearest authorised repair agent can be obtained on the Internet at www.2helpU.com, or by contacting your local Black & Decker office at the address indicated in this manual.

Please visit our website www.blackanddecker.co.uk to register your new Black & Decker product and receive updates on new products and special offers.

Verwendungszweck

Ihre BLACK+DECKER™ Heckenscheren GTC5455PC, GTC5455PCB wurden zum Beschneiden von Hecken, Büschen und Sträuchern entwickelt. Diese Werkzeuge sind nicht für den gewerblichen Einsatz vorgesehen.

Sicherheitshinweise

Allgemeine Sicherheitswarnungen für das Gerät



Warnung! Lesen Sie alle Sicherheitswarnhinweise und alle Anweisungen. Die Nichteinhaltung der folgenden Warnungen und Anweisungen kann einen elektrischen Schlag, Brand und/oder schwere Verletzungen verursachen.

Bewahren Sie alle Sicherheitswarnungen und Anweisungen gut auf. Der Begriff "Gerät" bezieht sich auf netzbetriebene Geräte (mit Netzkabel) und auf akkubetriebene Geräte (ohne Netzkabel).

1. Sicherheit im Arbeitsbereich

- a. **Halten Sie Ihren Arbeitsbereich sauber und gut ausgeleuchtet.** Unaufgeräumte oder dunkle Bereiche begünstigen Unfälle.
- b. **Betreiben Sie das Gerät nicht in Umgebungen, in denen Explosionsgefahr z. B. aufgrund von brennbaren Flüssigkeiten, Gasen oder Staub besteht.** Geräte erzeugen Funken, die den Staub oder die Dämpfe entzünden können.
- c. **Halten Sie Kinder und andere Personen während der Benutzung eines Geräts fern.** Bei Ablenkung können Sie die Kontrolle verlieren.

2. Elektrische Sicherheit


- a. **Der Netzstecker des Geräts muss in die Steckdose passen. Ändern Sie niemals den Stecker in irgendeiner Form.**

Verwenden Sie keinerlei Adapterstecker an geerdeten Elektrogeräten. Unveränderte Stecker und passende Steckdosen mindern die Gefahr eines elektrischen Schlags.

- b. **Vermeiden Sie Körperkontakt mit geerdeten Oberflächen von Rohren, Heizungen, Herden und Kühlschränken.**
Es besteht eine erhöhte Gefahr für einen elektrischen Schlag, wenn Ihr Körper geerdet ist.
- c. **Halten Sie Geräte von Regen und Nässe fern.** Das Eindringen von Wasser in ein Gerät erhöht das Risiko eines elektrischen Schlags.
- d. **Verwenden Sie das Kabel ordnungsgemäß. Verwenden Sie es niemals zum Tragen. Trennen Sie das Gerät nicht durch Ziehen am Kabel vom Netz. Halten Sie das Kabel fern von Hitze, Öl, scharfen Kanten oder beweglichen Teilen.** Beschädigte oder verhedderte Kabel erhöhen die Gefahr eines elektrischen Schlags.
- e. **Verwenden Sie nur für den Außenbereich zugelassene Verlängerungskabel, wenn Sie mit dem Gerät im Freien arbeiten.** Die Verwendung eines für den Außenbereich geeigneten Verlängerungskabels verringert das Risiko eines elektrischen Schlags.
- f. **Wenn das Gerät in einer feuchten Umgebung verwendet werden muss, schließen Sie es unbedingt an eine Steckdose mit Fehlerstromschutzschalter (FI-Schalter) an.**
Ein Fehlerstromschutzschalter verringert das Risiko eines elektrischen Schlags.

3. Sicherheit von Personen

- a. **Seien Sie aufmerksam, achten Sie darauf, was Sie tun, und gehen Sie sachgerecht mit einem Gerät um. Benutzen Sie kein Gerät, wenn Sie müde sind oder unter dem Einfluss von Drogen, Alkohol oder Medikamenten stehen.** Ein Moment der Unachtsamkeit beim Betrieb eines Geräts kann zu schweren Verletzungen führen.
- b. **Verwenden Sie eine geeignete Schutzausrüstung. Tragen Sie immer einen Augenschutz.** Das Tragen persönlicher Schutzausrüstung, wie Staubmaske, rutschfeste Sicherheitsschuhe, Schutzhelm oder Gehörschutz, je nach Art und Einsatz des Geräts, verringert das Risiko von Verletzungen.
- c. **Vermeiden Sie eine unbeabsichtigte Inbetriebnahme. Vergewissern Sie sich, dass das Gerät ausgeschaltet ist, bevor Sie es an eine Steckdose oder einen Akku anschließen, es hochheben oder tragen.** Wenn Sie beim Tragen des Geräts den Finger am Schalter haben oder das Gerät eingeschaltet an die Stromversorgung anschließen, kann dies zu Unfällen führen.

- d. **Entfernen Sie Einstell- oder Schraubenschlüssel, bevor Sie das Gerät einschalten.** Werkzeuge oder Schlüssel, die an rotierenden Teilen des Geräts angebracht sind, können zu Verletzungen führen.
- e. **Beugen Sie sich nicht zu weit nach vorne. Sorgen Sie für einen sicheren Stand und halten Sie jederzeit das Gleichgewicht.** Dadurch können Sie das Gerät in unerwarteten Situationen besser kontrollieren.
- f. **Tragen Sie geeignete Kleidung. Tragen Sie keine weite Kleidung und keinen Schmuck. Halten Sie Ihre Haare, Kleidung und Handschuhe von beweglichen Teilen fern.** Lose sitzende Kleidung, Schmuck oder lange Haare können sich in den beweglichen Teilen verfangen.
- g. **Falls Vorrichtungen zum Absaugen oder Auffangen von Staub vorhanden sind, vergewissern Sie sich, dass diese angeschlossen sind und richtig verwendet werden.** Das Verwenden einer Staubauffangvorrichtung verringert Gefährdungen durch Staub.
- 4. Gebrauch und Pflege von Geräten**
- a. **Überlasten Sie das Gerät nicht. Verwenden Sie das für Ihre Arbeit passende Gerät.** Das richtige Gerät wird die Aufgabe besser und sicherer erledigen, wenn es bestimmungsgemäß verwendet wird.
- b. **Verwenden Sie das Gerät nicht, wenn der Ein-/Ausschalter nicht funktioniert.** Ein Gerät, das sich nicht mehr ein- oder ausschalten lässt, ist gefährlich und muss repariert werden.
- c. **Ziehen Sie den Stecker aus der Steckdose, oder trennen Sie das Gerät vom Akku, bevor Sie Einstellungen vornehmen, Zubehörteile wechseln oder das Gerät lagern.** Diese Vorbeugemaßnahmen mindern die Gefahr, dass das Elektrogerät unbeabsichtigt startet.
- d. **Bewahren Sie unbenutzte Geräte außerhalb der Reichweite von Kindern auf. Lassen Sie Geräte nicht von Personen benutzen, die damit nicht vertraut sind oder diese Anweisungen nicht gelesen haben.** Geräte sind in den Händen nicht geschulter Personen gefährlich.
- e. **Halten Sie das Gerät in einem einwandfreien Zustand. Kontrollieren Sie, ob bewegliche Teile falsch ausgerichtet sind oder klemmen und ob Teile gebrochen oder so beschädigt sind, dass die Funktion des Geräts beeinträchtigt ist. Bei Beschädigungen lassen Sie das Gerät reparieren, bevor Sie es verwenden.** Viele Unfälle entstehen wegen mangelnder Wartung der Geräte.
- f. **Halten Sie Schneidgeräte scharf und sauber.** Richtig gewartete Schneidwerkzeuge mit scharfen Klingen blockieren seltener und sind leichter unter Kontrolle zu halten.
- g. **Verwenden Sie Geräte, Zubehör, Einsätze usw. entsprechend diesen Anweisungen und berücksichtigen Sie dabei die Arbeitsbedingungen und die auszuführende Arbeit.** Der Gebrauch von Geräten für andere als die vorgesehenen Zwecke kann zu gefährlichen Situationen führen.
- 5. Gebrauch und Pflege von Akkuwerkzeugen**
- a. **Laden Sie den Akku nur mit dem vom Hersteller vorgesehenen Ladegerät auf.** Für ein Ladegerät, das nur für eine bestimmte Akkuartart geeignet ist, besteht Brandgefahr, wenn es mit anderen Akkus verwendet wird.
- b. **Verwenden Sie nur die für das jeweilige Gerät vorgesehenen Akkus.** Die Verwendung anderer Akkus kann zu Verletzungen oder Bränden führen.
- c. **Bewahren Sie den Akku bei Nichtbenutzung nicht in der Nähe metallischer Objekte wie Büroklammern, Münzen, Schlüsseln, Nägeln oder Schrauben auf, da diese eine Verbindung zwischen beiden Polen des Akkus herstellen können.** Durch den dadurch entstehenden Kurzschluss kann der Akku in Brand geraten.
- d. **Bei falscher Anwendung kann Flüssigkeit aus dem Akku austreten. Vermeiden Sie den Kontakt damit. Bei unbeabsichtigtem Kontakt mit Wasser abspülen. Gelangt die Flüssigkeit in die Augen, ziehen Sie außerdem ärztliche Hilfe hinzu. Austretende Akkufflüssigkeit kann zu Hautreizungen oder Verbrennungen führen.**
- 6. Service**
- a. **Lassen Sie das Gerät nur von qualifiziertem Fachpersonal und nur mit Originalersatzteilen reparieren.** Damit wird sichergestellt, dass die Sicherheit des Geräts erhalten bleibt.
- Zusätzliche Sicherheitswarnungen für das Gerät**
-  Warnung! Zusätzliche Sicherheitswarnungen für Heckenscheren
- ◆ **Halten Sie alle Körperteile von den Messern fern. Versuchen Sie nicht, Schnittmaterial zu entfernen oder festzuhalten, wenn die Messer in Bewegung sind. Stellen Sie beim Entfernen von eingeklemmtem Material sicher, dass das Gerät ausgeschaltet ist.** Ein Moment der Unachtsamkeit beim Gebrauch des Geräts kann zu ernsthaften Verletzungen führen.
 - ◆ **Tragen Sie die Heckenschere stets mit angehaltenen Messern am Griff. Bringen Sie beim Transport bzw. bei der Lagerung der Heckenschere stets die Messerabdeckung an.**

Der sachgemäße Umgang mit der Heckenschere verringert das Risiko von Verletzungen durch die Schnittmesser.

- ◆ **Halten Sie das Gerät ausschließlich an den isolierten Griffflächen, da das Messer mit verdeckten Kabeln in Berührung kommen könnte.** Der Kontakt von Messern mit stromführenden Leitungen kann offen liegende Metallteile am Gerät unter Strom setzen und zu einem Stromschlag führen.
- ◆ Die bestimmungsgemäße Verwendung ist in dieser Betriebsanleitung beschrieben. Die Verwendung von Zubehör oder Anbauteilen, die nicht in dieser Anleitung empfohlen sind, sowie die Bedienung des Geräts in Abweichung von den in dieser Anleitung beschriebenen Verfahren kann zu Verletzungen und/oder Sachschäden führen.
- ◆ Tragen Sie das Gerät nicht mit der Hand am vorderen Griff oder dem Auslöser, solange der Akku eingesetzt ist.
- ◆ Wenn Sie nicht bereits zuvor mit einer Heckenschere gearbeitet haben, sollten Sie sich zusätzlich zum Lesen dieser Anleitung von einem erfahrenen Benutzer in den Gebrauch einweisen lassen.
- ◆ Berühren Sie niemals die Klingen, wenn sich das Gerät in Betrieb befindet.
- ◆ Versuchen Sie nie, die Messer mit Gewalt zum Stillstand zu bringen.
- ◆ Setzen Sie das Gerät erst ab, nachdem die Messer vollständig zum Stillstand gekommen sind.
- ◆ Überprüfen Sie die Messer regelmäßig auf Beschädigungen und Abnutzung. Verwenden Sie das Gerät nicht, wenn die Messer beschädigt sind.
- ◆ Achten Sie bei der Arbeit auf harte Objekte (z. B. Metalldrähte oder Geländer). Wenn das Gerät versehentlich in Kontakt mit einem solchen Objekt kommt, schalten Sie es unverzüglich aus, und prüfen Sie das Gerät auf eventuelle Schäden.
- ◆ Schalten Sie das Gerät unverzüglich aus und entnehmen Sie den Akku, wenn Sie ungewöhnliche Vibrationen bemerken, und prüfen Sie das Gerät auf eventuelle Schäden.
- ◆ Schalten Sie das Gerät unverzüglich aus, wenn es blockiert. Entfernen Sie den Akku, bevor Sie versuchen, Fremdkörper zu entfernen.
- ◆ Bringen Sie nach dem Gebrauch den mitgelieferten Messerschutz an. Lagern Sie das Gerät nicht mit ungeschützten Klingen.
- ◆ Stellen Sie bei Gebrauch stets sicher, dass alle Schutzvorrichtungen angebracht sind. Verwenden Sie auf keinen Fall ein unvollständiges Gerät bzw. ein Gerät, an dem unsachgemäße Änderungen vorgenommen wurden.
- ◆ Das Gerät darf auf keinen Fall von Kindern verwendet werden.

- ◆ Achten Sie beim Schneiden von höheren Heckenbereichen auf herabfallendes Schnittmaterial.
- ◆ Halten Sie das Gerät stets mit beiden Händen an den jeweiligen Griffen.

Sicherheit anderer Personen

- ◆ Dieses Gerät darf nicht von Personen (einschließlich Kindern) mit eingeschränkten physischen, sensorischen oder mentalen Fähigkeiten oder ohne ausreichende Erfahrung oder Kenntnisse verwendet werden, außer wenn diese Personen von einer Person, die für ihre Sicherheit verantwortlich ist, bei der Verwendung des Geräts beaufsichtigt oder mit ihm vertraut gemacht werden.
- ◆ Kinder müssen beaufsichtigt werden, um sicherzustellen, dass sie nicht mit dem Gerät spielen.

Restrisiken.

Beim Gebrauch dieses Geräts verbleiben zusätzliche Restrisiken, die möglicherweise nicht in den Sicherheitswarnungen genannt werden. Diese Risiken bestehen beispielsweise bei Missbrauch oder längerem Gebrauch.

Auch bei der Einhaltung der entsprechenden Sicherheitsvorschriften und der Verwendung aller Sicherheitsgeräte bestehen weiterhin bestimmte Restrisiken. Diese sind:

- ◆ Verletzungen, die durch das Berühren von sich drehenden/bewegenden Teilen verursacht werden.
- ◆ Verletzungen, die durch das Austauschen von Teilen, Messern oder Zubehör verursacht werden.
- ◆ Verletzungen, die durch längeren Gebrauch eines Geräts verursacht werden. Legen Sie bei längerem Gebrauch regelmäßige Pausen ein.
- ◆ Beeinträchtigung des Gehörs.
- ◆ Gesundheitsrisiken durch das Einatmen von Staub beim Verwenden des Geräts (beispielsweise bei Holzarbeiten, insbesondere Eiche, Buche und MDF.)

Vibration

Die in den Abschnitten "Technische Daten" und "EG-Konformitätserklärung" angegebenen Werte für die Vibrationsemission wurden mit einer Standard-Prüfmethode nach EN 60745 ermittelt und können zum Vergleich verschiedener Geräte herangezogen werden. Außerdem kann mit Hilfe dieses Werts die Belastung bei Verwendung des Geräts schon im Voraus eingeschätzt werden.

Warnung! Die bei Verwendung des Geräts auftretende Vibrationsemission hängt von der Art des Gerätegebrauchs ab und kann dementsprechend von dem angegebenen Wert abweichen. Gegebenenfalls kann die Vibration über dem angegebenen Wert liegen.

Für die Ermittlung der Vibrationsbelastung müssen die tatsächlichen Einsatzbedingungen und Verwendungen des Geräts während des gesamten Arbeitsgangs berücksichtigt werden, einschließlich der Zeiten, wenn das Gerät nicht verwendet oder im Leerlauf betrieben wird. Diese Werte werden benötigt, um die gemäß 2002/44/EG erforderlichen Sicherheitsmaßnahmen zum Schutz von Personen festlegen zu können.

Etiketten am Werkzeug

Am Gerät sind die folgenden Piktogramme inkl. Datumcode angebracht:



Warnung! Lesen Sie vor Gebrauch die Anleitung. Andernfalls besteht Verletzungsgefahr.



Tragen Sie eine Schutzbrille, wenn Sie mit dem Gerät arbeiten.



Tragen Sie einen Gehörschutz, wenn Sie mit dem Gerät arbeiten.



Schützen Sie das Gerät vor Feuchtigkeit und Regen.



Garantierter Schalldruckpegel, gemessen nach Richtlinie 2000/14/EG.

Zusätzliche Sicherheitshinweise für Akkus und Ladegeräte

Akkus

- ◆ Keinesfalls versuchen, den Akku zu öffnen.
- ◆ Achten Sie darauf, dass der Akku nicht mit Wasser in Berührung kommt.
- ◆ Nicht bei Temperaturen über 40 °C lagern.
- ◆ Laden Sie den Akku ausschließlich bei Umgebungstemperaturen zwischen 10 °C und 40 °C.
- ◆ Verwenden Sie ausschließlich das mitgelieferte Ladegerät.
- ◆ Beachten Sie bei der Entsorgung von Batterien und Akkus die Hinweise im Abschnitt "Umweltschutz".



Versuchen Sie nie, beschädigte Akkus aufzuladen.

Ladegeräte

- ◆ Verwenden Sie das BLACK+DECKER Ladegerät nur für den Akku des Werkzeugs, mit dem es geliefert wurde. Andere Akkus können platzen und Sachschäden oder Verletzungen verursachen.

- ◆ Versuchen Sie keinesfalls, nicht aufladbare Batterien zu laden.
- ◆ Lassen Sie beschädigte Kabel sofort austauschen.
- ◆ Achten Sie darauf, dass das Ladegerät nicht mit Wasser in Berührung kommt.
- ◆ Versuchen Sie nicht, das Ladegerät zu öffnen.
- ◆ Nehmen Sie am Ladegerät keine Veränderungen vor.



Das Ladegerät darf nur im Innenbereich verwendet werden.



Vor Gebrauch die Anleitung lesen.

Wichtig: Nur folgende Ladegeräte sollten zum Aufladen der 54 V-Akkus BL1554 & BL2554 verwendet werden: 90589867, 90621477, 90590287-01, 90590289-01, 90602042-01, 90590287-02, 90590289-02, 90599854-02, 90599854-06, 90599853-05, 90634971, 90634972, 90634973, 90642266, 90642264, 90642265, BDC2A

Elektrische Sicherheit



Das Ladegerät ist schutzisoliert, daher ist keine Erdleitung erforderlich. Stellen Sie sicher, dass die Netzspannung der auf dem Typenschild des Geräts angegebenen Spannung entspricht. Ersetzen Sie das Ladegerät keinesfalls durch ein normales Netzkabel.

- ◆ Bei einer Beschädigung des Netzkabels muss dieses durch den Hersteller oder eine BLACK+DECKER Vertragswerkstatt ausgetauscht werden, um mögliche Gefahren zu vermeiden.

Merkmale

Dieses Gerät verfügt über einige oder alle der folgenden Merkmale:

1. Auslöseschalter
2. Betriebssperre
3. Griff
4. POWERCOMMAND-Taste
5. Sägeblattschutz
6. Bügelgriff
7. Sägeblatt
8. Sägeblatt
9. Sägeblattschuh
10. Dualvolt-Akku (nur bei Modell GTC5455PC)
11. Dualvolt-Akku-Fach (nur bei Modell GTC5455PC)
12. Ladegerät (nur bei Modell GTC5455PC)

Montage

Warnung! Nehmen Sie vor der Montage den Akku aus dem Gerät, und bringen Sie den Messerschutz an.

Warnung! Stellen Sie vor der Montage sicher, dass das Gerät ausgeschaltet, der Netzstecker gezogen und der Messerschutz angebracht ist.

Warnung! Verwenden Sie das Gerät nie ohne Schutzvorrichtung.

Ladevorgang

BLACK+DECKER Ladegeräte sind nur dazu vorgesehen, BLACK+DECKER Akkus aufzuladen.

- ◆ Setzen Sie das Ladegerät (12) in eine geeignete Steckdose ein, bevor Sie den Akku einsetzen.
- ◆ Setzen Sie den Akku wie in Abbildung A gezeigt in das Ladegerät ein.
- ◆ Die grüne LED (12a) blinkt, wenn der Akku geladen wird.
- ◆ Der Abschluss des Ladevorgangs wird dadurch angezeigt, dass die grüne LED (12a) dauerhaft leuchtet. Der Akku ist vollständig aufgeladen und kann jetzt verwendet oder in der Ladestation gelassen werden.

Hinweis: Laden Sie entladene Akkus so bald wie möglich nach dem Gebrauch wieder auf, da sonst die Batteriebensdauer stark verringert werden kann. Um die maximal Akkulaufzeit zu erreichen, sollte der Akku nicht vollständig entladen werden. Es wird empfohlen, den Akku nach jedem Gebrauch aufzuladen.

Belassen des Akkus im Ladegerät

Sie können den Akku (11) auch im Ladegerät (12) belassen. In diesem Fall leuchtet die LED-Anzeige dauerhaft. Das Ladegerät hält den Akku in einem vollständig geladenen Zustand.

Wichtige Hinweise zum Aufladen

- ◆ Die längste Lebensdauer und beste Leistung wird erhalten, wenn der Akku bei einer Lufttemperatur zwischen 18° und 24°C aufgeladen wird. Laden Sie den Akku NICHT bei einer Umgebungstemperatur unter +4,5°C oder über +40,5°C auf. Dies ist wichtig und verhindert schwere Schäden am Akku.
- ◆ Das Ladegerät und der Akku können sich während des Ladevorgangs warm anfühlen. Dies ist ein normaler Zustand und weist nicht auf ein Problem hin. Um das Abkühlen des Akkus nach dem Gebrauch zu erleichtern, platzieren Sie das Ladegerät und den Akku nicht in einer warmen Umgebung, wie beispielsweise in einem Metallschuppen oder einem nicht isolierten Wohnwagen.
- ◆ Wenn der Akku nicht richtig aufgeladen wird:
 - ◆ Prüfen Sie, ob die Steckdose unter Spannung steht, indem Sie eine Lampe oder ein anderes Gerät an die Steckdose anschließen.

- ◆ Überprüfen Sie, ob die Steckdose mit einem Lichtschalter verbunden ist, der auch das Gerät ausschaltet, wenn das Licht ausgeschaltet wird.
- ◆ Bringen Sie Ladegerät und Akku an einen Ort, wo die Umgebungstemperatur ca. 18°-24°C beträgt.
- ◆ Wenn die Ladeprobleme bestehen bleiben, bringen Sie Werkzeug, Akku und Ladegerät zu Ihrer lokalen Vertragswerkstatt.
- ◆ Der Akku sollte aufgeladen werden, wenn das Gerät nicht mehr die volle Leistung bringt. Betreiben Sie das Werkzeug in diesem Fall NICHT WEITER. Befolgen Sie die Anweisungen bezüglich des Aufladens. Sie können auch jederzeit einen teilweise entleerten Akku aufladen, ohne dass dies nachteilige Auswirkungen auf den Akku hat.
- ◆ Leitfähige Fremdmaterialien, z.B. unter anderem Stahlwolle, Alufolie oder angesammelte Metallpartikel, sollten von Hohlräumen des Ladegeräts ferngehalten werden. Ziehen Sie den Netzstecker des Ladegeräts immer aus der Steckdose, wenn kein Akku in der Vertiefung steckt. Ziehen Sie den Netzstecker des Ladegerätes vor dem Reinigen aus der Steckdose.
- ◆ Gerät keinem Spritzwasser aussetzen oder in Wasser oder andere Flüssigkeiten tauchen.

Warnung! Keine Flüssigkeiten in das Ladegerät gelangen lassen. Keinesfalls versuchen, den Akku zu öffnen. Wenn das Kunststoffgehäuse des Akkus Brüche oder Risse aufweist, bringen Sie es zum Recycling zu einer Vertragswerkstatt.

Ladestandsanzeige (Abb. B)

Der Akku ist mit einer Ladestandsanzeige ausgestattet. Mithilfe dieser Anzeige kann während des Betriebs und während des Ladevorgangs der aktuelle Ladestand des Akkus überprüft werden. Sie zeigt nicht an, ob das Werkzeug richtig funktioniert, und hängt von den Produktkomponenten, der Temperatur und der Verwendung durch den Endnutzer ab.

Prüfung des Ladestands während des Gebrauchs

- ◆ Drücken Sie die Taste der Ladestatusanzeige (B1).
- ◆ Die drei LEDs (B2) leuchten und zeigen den Prozentsatz an Ladung im Akku an. Siehe Diagramm in Abbildung B.
- ◆ Leuchtet die LED-Lampe nicht, dann muss die Batterie geladen werden.

Ladegerät Diagnose (Abb. E)

Die Anzeigen gemäß Abbildung E geben den Ladestatus des Akkus an.

Defekter Akku

Wenn das Blinkmuster für einen defekten Akku zu sehen ist, laden Sie den Akku nicht weiter auf.

Bringen Sie ihn zu einem Kundendienstzentrum oder einer Recycling-Sammelstelle.

Verzögerung heißer/kalter Akku

Wenn das Ladegerät erkennt, dass ein Akku zu heiß oder zu kalt ist, wird automatisch mit einer „Verzögerung heißer/kalter Akku“ begonnen, die den Ladevorgang so lange aussetzt, bis der Akku eine angemessene Temperatur erreicht hat. Das Ladegerät wechselt danach automatisch in den Lademodus. Diese Funktion gewährleistet eine maximale Lebensdauer des Akkus. Ein kalter Akku wird mit einer geringeren Geschwindigkeit geladen als ein warmer Akku. Der Akku wird während des gesamten Ladevorgangs mit der geringeren Geschwindigkeit geladen, die sich auch nicht erhöht, wenn der Akku wärmer wird.

Anbringen und Entfernen des Akkus

Warnung! Der Verriegelungsknopf muss eingerastet sein, damit keine unbeabsichtigte Bedienung des Ein-/Aus-Schalters vor dem Anbringen bzw. Entfernen des Akkus erfolgen kann.

Anbringen des Akkus (Abb. C)

- ◆ Setzen Sie den Akku (10) in das Werkzeug ein, bis ein Klicken zu hören ist (Abbildung C).
- ◆ Stellen Sie sicher, dass der Akku vollständig eingesetzt und eingerastet ist.

Entfernen des Akkus (Abb. D)

- ◆ Drücken Sie den Akku-Löseknopf (10a) wie in Abbildung D gezeigt und ziehen Sie den Akku (10) aus dem Werkzeug.

Dualvolt 54V-Akku (Abb. F)

Der Dualvolt 54V-Akku kann für Black+Decker Akku-Werkzeuge mit 54V & 18V verwendet werden. Der Akku erkennt das Werkzeug, in das er eingesetzt wird, und betreibt es mit der entsprechenden Leistung, was eine längere Laufzeit in 18V-Werkzeugen ermöglicht. Es gibt eine Taste für die Ladestandsanzeige (11), welche den Ladestand für 54V und 18V anzeigt.

Betrieb

- ◆ Um das Gerät einzuschalten, schieben Sie die Einschaltsperrle (2) nach unten, drücken Sie den Auslöser (1) ein und drücken Sie den Dualschalter-Bügelgriff (6) wie in Abbildung G gezeigt herein. Sobald das Gerät in Betrieb ist, können Sie die Einschaltsperrle loslassen. Damit das Gerät weiterhin läuft, müssen Sie den Auslöser gedrückt halten.

Warnung! Versuchen Sie niemals, einen Schalter in seiner Einschaltstellung zu arretieren.

Hinweise zur Arbeit mit dem Gerät

- ◆ Achten Sie auf einen sicheren Stand und eine sichere Balance und überstrecken Sie sich nicht. Tragen Sie bei der Arbeit mit dem Gerät eine Schutzbrille und rutschfeste Schuhe. Halten Sie das Gerät mit beiden Händen fest und schalten Sie es ein. Halten Sie den Trimmer immer so fest, wie es in den Abbildungen in diesem Handbuch dargestellt ist, d.h. mit einer Hand auf dem Schaltergriff und mit einer Hand am Bügelgriff (Abbildung G). Tragen Sie die Maschine niemals an der Schutzvorrichtung der Klinge.

Trimmen von nachgewachsenen Bereichen (Abb. H)

- ◆ Eine breite, geschwungene Bewegung, bei der die Klingenzähne durch die Zweige geführt werden, ist am effektivsten. Eine in Bewegungsrichtung leicht nach unten geneigte Klinge bietet das beste Schneidergebnis.

Warnung! Schneiden Sie keine Äste, die dicker als 19 mm sind. Verwenden Sie den Trimmer nur zum Schneiden von normalen Sträuchern rund um Häuser und Gebäude.

Hecken begradigen (Abb. I)

- ◆ Um besonders gerade Hecken zu erhalten, bringen Sie entlang der Länge der Hecke ein Stück Schnur als Führung an.

Trimmen der Heckenseiten (Abb. J)

- ◆ Halten Sie den Trimmer wie abgebildet und arbeiten Sie von unten nach oben.

POWERCOMMAND (Abb. K)

Wenn die Klinge steckenbleibt, drücken Sie die Taste POWERCOMMAND (4), die in Abbildung K gezeigt wird. Die Messer bewegen sich dann in einem langsameren, kraftvollen Rhythmus hin und her, mit dem auch schwierige Äste bearbeitet werden können. Lassen Sie die Taste los, um zum normalen Heckenschneiden zurückzukehren.

Hinweis: Sobald die Taste losgelassen wird, kehrt die Klinge sofort zur vollen Geschwindigkeit zurück.

Hinweis: Die Klinge stoppt, wenn die Taste 15 Sekunden lang gedrückt wird. Um die POWERCOMMAND-Funktion erneut zu nutzen, lassen Sie die Taste los und drücken Sie sie dann erneut. Halten Sie die POWERCOMMAND-Taste während des normalen Heckenschneidens nicht kontinuierlich gedrückt.

Sägeblatt (Abb. L)

Um Äste zu schneiden, die für das Messer (7) zu dick sind, verwenden Sie das Sägeblatt (8). Positionieren Sie das Sägeblatt so nah wie möglich am unteren Ende des Astes. Setzen Sie den Sägeblattschuh (9) gegen den Ast.

Schalten Sie die Heckenschere wie oben beschrieben ein und lassen Sie das Werkzeug in seinem eigenen Tempo arbeiten, bis der Ast vollständig abgesägt ist.

Wartung

Ihr BLACK+DECKER Gerät (mit und ohne Netzkabel) wurde im Hinblick auf eine lange Lebensdauer und einen möglichst geringen Wartungsaufwand entwickelt. Ein kontinuierlicher, zufriedenstellender Betrieb hängt von der richtigen Pflege des Gerätes und seiner regelmäßigen Reinigung ab.

Warnung! Vor dem Ausführen jeglicher Wartungsarbeiten an Geräten mit und ohne Netzkabel:

- ◆ Schalten Sie das Gerät aus, und ziehen Sie den Netzstecker.
- ◆ Wenn das Gerät über einen separaten Batteriepack oder Akku verfügt, schalten Sie das Gerät ab, und entnehmen Sie die Batterien aus dem Gerät.
- ◆ Wenn der Akku integriert ist, entladen Sie diesen vor dem Abschalten vollständig.
- ◆ Ziehen Sie das Ladegerät aus der Netzsteckdose, bevor Sie es reinigen. Das Ladegerät benötigt keine Wartung, es sollte jedoch regelmäßig gereinigt werden.
- ◆ Reinigen Sie regelmäßig die Lüftungsschlitze des Geräts und des Ladegeräts mit einer weichen Bürste oder einem trockenen Tuch.
- ◆ Reinigen Sie das Motorgehäuse regelmäßig mit einem feuchten Tuch. Verwenden Sie keine scheuernden Reinigungsmittel oder Reinigungsmittel auf Lösungsmittelbasis.
- ◆ Reinigen Sie die Messer nach dem Gebrauch sorgfältig. Tragen Sie nach der Reinigung leichtes Maschinenöl auf die Messer auf, um Rostbildung vorzubeugen.

Die Schneidklingen sind aus hochwertigem, gehärtetem Stahl und bei normaler Verwendung ist kein Nachschärfen erforderlich. Wenn Sie allerdings versehentlich einen Drahtzaun, Steine, Glas oder andere harte Gegenstände treffen, kann das zu einer Scharte in der Klinge führen. Eine solche Scharte muss nicht entfernt werden, solange sie die Bewegung der Klinge nicht beeinträchtigt. Falls das doch der Fall ist, nehmen Sie den Akku ab und entfernen Sie die Scharte mit Hilfe einer feinen Feile oder eines Schleifsteins. Wenn das Gerät herunterfällt, untersuchen Sie es sorgfältig auf Schäden. Wenn die Klinge verbogen oder das Gehäuse rissig ist oder wenn Griffe gebrochen sind oder Sie etwas anderes feststellen, das den Betrieb des Geräts beeinträchtigen könnte, wenden Sie sich an Ihre lokale BLACK+DECKER Vertragswerkstatt, um das Gerät reparieren zu lassen, bevor Sie es wieder in Betrieb nehmen. Düngemittel und andere in Gärten verwendete Chemikalien enthalten Stoffe, die das Rosten von Metallen stark beschleunigen. Lagern Sie das Gerät daher nicht auf oder in der Nähe von Düngemitteln oder anderen Chemikalien.

Reinigen Sie das Gerät bei entnommenem Akku ausschließlich mit milder Seifenlösung und einem angefeuchteten Tuch. Achten Sie darauf, dass keine Flüssigkeit in das Gerät gelangt. Tauchen Sie kein Teil des Geräts in Flüssigkeit ein. Verhindern Sie Rostbildung an den Klingen, indem Sie nach der Reinigung eine dünne Schicht Maschinenöl darauf auftragen.

Austauschen des Netzsteckers (nur Großbritannien und Irland)

Wenn ein neuer Netzstecker angebracht werden muss:

- ◆ Entsorgen Sie den alten Stecker auf sachgerechte Weise.
- ◆ Verbinden Sie die braune Leitung mit dem spannungsführenden Anschluss des neuen Steckers.
- ◆ Verbinden Sie die blaue Leitung mit dem neutralen Anschluss.

Warnung! Stellen Sie keine Verbindung mit dem Erdungsanschluss her. Befolgen Sie die Montageanweisungen, die mit hochwertigen Steckern mitgeliefert werden. Empfohlene Sicherung: 5 A.

Fehlerbehebung		
Problem	Mögliche Ursache	Mögliche Lösung
Klingen laufen langsam, sind laut oder werden heiß.	Klingen sind trocken, rostig.	Klingen schmieren.
	Klinge oder Klingenhalterung verbogen.	Klinge oder Klingenhalterung begradigen.
	Zähne verbogen oder beschädigt.	Zähne begradigen.
	Lockere Klingenschrauben.	Ziehen Sie die Klingenschrauben an.
Gerät startet nicht.	Akku wurde nicht ordnungsgemäß angebracht.	Prüfen Sie, ob der Akku richtig angebracht wurde.
	Der Akku ist nicht geladen.	Prüfen Sie die erforderliche Ladekapazität.
	Einschaltperre funktioniert nicht.	Prüfen Sie, ob die Einschaltperre vollständig hereingedrückt ist, bevor Sie den Hauptauslöser betätigen.
Der Akku lässt sich nicht aufladen.	Akku befindet sich nicht im Ladegerät.	Akku so in das Ladegerät einsetzen, dass die grüne LED leuchtet. Bis zu 8 Stunden aufladen, wenn der Akku vollständig leer war.
	Das Ladegerät ist nicht mit dem Stromnetz verbunden.	Stecken Sie den Stecker des Ladegeräts in eine aktive Steckdose. Weitere Details finden Sie unter „Wichtige Hinweise zum Aufladen“. Prüfen Sie, ob die Steckdose unter Spannung steht, indem Sie eine Lampe oder ein anderes Gerät an die Steckdose anschließen. Überprüfen Sie, ob die Steckdose mit einem Lichtschalter verbunden ist, der auch das Gerät ausschaltet, wenn das Licht ausgeschaltet wird.
	Umgebungstemperatur zu hoch oder zu niedrig.	Bringen Sie das Ladegerät und das Werkzeug an einen Ort, der eine Umgebungstemperatur von über 4,5°C und unter +40,5°C aufweist.

Umweltschutz



Getrennte Entsorgung. Produkte und Akkus mit diesem Symbol dürfen nicht mit dem normalen Hausmüll entsorgt werden.

Produkte und Akkus enthalten Materialien, die wiederverwertet werden können, um den Bedarf an Rohstoffen zu verringern. Bitte recyceln Sie elektrische Produkte und Akkus gemäß den örtlichen Bestimmungen.

Technische Daten

		GTC5455PC	GTC5455PCB
Spannung	V_{DC}	54	54
Klingenhöhe (lastfrei)	min^{-1}	2600	2600
Messerlänge	cm	60	60
Messerabstand	mm	19	19
Gewicht	kg	3,83	2,775
Akku		BL2554	Gerät (ohne Akku)
Spannung	V_{DC}	54	
Kapazität	Ah	1,5	
Typ		Li-Ionen	
Ladegerät		BDC2A	Gerät (ohne Ladegerät)
Eingangsspannung	V_{AC}	220 - 230	
Ausgangsspannung	V_{DC}	2000mA	
Stromstärke	mA	2000	
Ungefähre Ladezeit	Std.	2,75	

Schalldruckpegel gemäß EN 60745:

Schalldruck: (L_{pA}) 78 dB(A), Unsicherheitsfaktor (K) 3 dB(A)

Schallleistung: GTC18504PC (L_{WA}) 92,5 dB(A) Unsicherheitsfaktor (K) 2,5 dB(A)

Gesamtvibration (Triax-Vektorsumme) gemäß EN 60745:

Vibrationsemissionswert: GTC18504PC (a_v) 2,7 m/s^2 , Unsicherheitsfaktor (K) 1,5 m/s^2

GTC5455PC, GTC5455PCB Heckenschere

Black & Decker erklärt, dass die in den technischen Daten beschriebenen Geräte übereinstimmen mit: 2006/42/EC, EN 60745-1:2009 + A11:2010, EN 60745-2-15:2009 +A1:2010

2000/14/EG, Heckenschere 1300 min^{-1} , Anhang V
Gemessene Schalleistung (L_{WA}) 92,5 dB(A)
Unsicherheitsfaktor (K) 2,5 dB(A)
Garantierte Schalleistung (L_{WA}) 92,5 dB(A)

Diese Produkte entsprechen außerdem den Richtlinien 2004/108/EG und 2011/65/EU. Weitere Informationen erhalten Sie von Black & Decker unter der folgenden Adresse. Diese befindet sich auch auf der Rückseite dieser Anleitung.

Der Unterzeichnete ist verantwortlich für die Zusammenstellung der technischen Daten und gibt diese Erklärung im Namen von Black & Decker ab.

Ray Laverick
Director of Engineering
Black & Decker Europe, 210 Bath Road, Slough,
Berkshire, SL1 3YD
Vereinigtes Königreich
23.09.2016

Garantie

Black & Decker vertraut auf die Qualität der eigenen Geräte und bietet dem Käufer eine außergewöhnliche Garantie von 24 Monaten ab Kaufdatum. Diese Garantie versteht sich unbeschadet der gesetzlichen Gewährleistungsansprüche und schränkt diese keinesfalls ein. Diese Garantie gilt innerhalb der Staatsgebiete der Mitgliedstaaten der Europäischen Union und der Europäischen Freihandelszone.

Zur Inanspruchnahme dieser Garantie muss sie den allgemeinen Geschäftsbedingungen von Black&Decker entsprechen und dem Verkäufer bzw. der Vertragswerkstatt ist ein Kaufnachweis vorzulegen. Die Bedingungen für die 2-jährige Garantie von Black&Decker und den Standort Ihrer nächstgelegenen Vertragswerkstatt finden Sie im Internet unter www.2helpU.com oder indem Sie sich an die lokale Black&Decker-Niederlassung wenden, deren Adresse Sie in dieser Anleitung finden.

Ihr neues Black & Decker Produkt können Sie auf unserer Website unter www.blackanddecker.de registrieren. Dort erhalten Sie auch Informationen über neue Produkte und Sonderangebote.

EU-Konformitätserklärung
MASCHINENRICHTLINIE
AUSSENLAUTSTÄRKERICHTLINIE



Utilisation prévue

Votre taille-haie BLACK+DECKER™ GTC5455PC, GTC5455PCB a été conçu pour tailler les haies, les buissons et les ronces. Cet outil est destiné à un usage grand public uniquement.

Consignes de sécurité

Avertissement de sécurité générale concernant les outils électriques



Avertissement ! Lisez tous les avertissements et toutes les consignes de sécurité. Le non-respect des avertissements et des instructions listés ci-dessous peut entraîner des chocs électriques, des incendies et/ou de graves blessures.

Conservez tous les avertissements et toutes les instructions afin de pouvoir vous y référer dans le futur. Le terme "outil électrique" mentionné dans tous les avertissements listés ci-dessous fait référence à vos outils électriques fonctionnant sur secteur (avec câble) ou sur pile ou batterie (sans fil).

1. Sécurité de la zone de travail

- a. **Maintenez la zone de travail propre et bien éclairée.**
Les zones sombres ou encombrées sont propices aux accidents.
- b. **N'utilisez pas d'outils électriques dans un environnement présentant des risques d'explosion ou en présence de liquides, gaz ou poussières inflammables.** Les outils électriques créent des étincelles qui peuvent enflammer les poussières et les fumées.
- c. **Maintenez les enfants et autres personnes éloignés lorsque les outils électriques sont en marche.** Toute distraction peut vous faire perdre le contrôle de l'outil.

2. Sécurité électrique

- a. **La prise des outils électriques doit correspondre à la prise de courant murale. Ne modifiez jamais la prise d'aucune sorte. N'utilisez aucun adaptateur avec des outils électriques reliés à la terre.** L'utilisation de prises d'origine et de prises murales appropriées permet de réduire le risque de choc électrique.
- b. **Évitez tout contact physique avec des surfaces reliées à la terre comme des tuyaux, des radiateurs, des fours et des réfrigérateurs par exemple.**
Le risque de choc électrique augmente lorsque votre corps est relié à la terre.
- c. **N'exposez pas les outils électriques à la pluie, ni à l'humidité.** Le risque de choc électrique augmente si de l'eau pénètre dans un outil électrique.

- d. **Ne tirez pas sur le cordon d'alimentation. N'utilisez jamais le cordon pour transporter, tirer ou débrancher l'outil électrique. Maintenez le cordon éloigné de la chaleur, des substances grasses, des bords tranchants ou des pièces mobiles.** Les cordons endommagés ou emmêlés augmentent le risque de choc électrique.
- e. **Si vous utilisez un outil électrique à l'extérieur, utilisez une rallonge homologuée pour les travaux extérieurs.** L'utilisation d'une rallonge électrique homologuée pour les travaux en extérieur réduit le risque de choc électrique.
- f. **Si l'utilisation d'un outil électrique dans un endroit humide est inévitable, utilisez une alimentation électrique protégée par un disjoncteur différentiel.** L'utilisation d'un disjoncteur différentiel réduit le risque de choc électrique.

3. Sécurité des personnes

- a. **Restez vigilant, surveillez ce que vous faites et faites preuve de bon sens lorsque vous utilisez un outil électrique. N'utilisez pas d'outils électriques si vous êtes fatigué ou sous l'influence de drogue, d'alcool ou de médicaments.** Tout moment d'inattention pendant l'utilisation d'un outil électrique peut engendrer de graves blessures.
- b. **Portez des équipements de protection individuelle. Portez toujours une protection oculaire.** Les équipements de protection comme les masques à poussière, les chaussures de sécurité antidérapantes, les casques ou les protections auditives utilisés à bon escient réduisent le risque de blessures.
- c. **Empêchez tout démarrage par inadvertance. Assurez-vous que l'interrupteur est sur la position Arrêt avant de le raccorder l'alimentation électrique et/ou le bloc-batterie ou avant de ramasser ou de transporter l'outil.** Le fait de transporter les outils électriques le doigt sur l'interrupteur ou d'alimenter les outils électriques dont l'interrupteur est déjà en position de marche augmente les accidents.
- d. **Retirez toutes les clés ou pinces de réglage avant de mettre l'outil en marche.** Une clé ou une pince restée fixée sur une pièce rotative de l'outil électrique peut engendrer des blessures.
- e. **Ne présumez pas de vos forces. Gardez les pieds bien ancrés au sol et conservez votre équilibre en permanence.** Cela permet de mieux maîtriser l'outil électrique en cas de situations imprévues.
- f. **Portez des vêtements appropriés. Ne portez aucun vêtement ample ou bijou. Gardez vos cheveux, vos vêtements et vos gants éloignés des pièces mobiles.** Les vêtements amples, les bijoux ou les cheveux longs peuvent être happés par les pièces mobiles.

- g. Si des dispositifs pour l'extraction des poussières ou des installations pour la récupération sont présents, assurez-vous qu'ils sont correctement raccordés et utilisés.** L'utilisation de dispositifs récupérateurs de poussières réduit les risques liés aux poussières.
- 4. Utilisation et entretien des outils électriques**
- a. Ne forcez pas sur l'outil électrique. Utilisez le bon outil, adapté pour votre intervention.** Un outil adapté fonctionne mieux, de façon plus sûre et à la cadence pour laquelle il a été conçu.
- b. N'utilisez pas l'outil électrique si son interrupteur ne permet plus de le mettre en marche et de l'éteindre.** Tout outil électrique qui ne peut plus être commandé par son interrupteur est dangereux et doit être réparé.
- c. Débranchez la prise du secteur et/ou le bloc-batterie de l'outil électrique avant d'effectuer tout réglage, de changer un accessoire ou de ranger l'outil électrique.** Ces mesures de sécurité préventives réduisent le risque de démarrage accidentel de l'outil électrique.
- d. Rangez les outils électriques non utilisés hors de portée des enfants et ne laissez aucune personne ne connaissant pas ces outils ou leurs instructions d'utilisation les faire fonctionner.** Les outils électriques peuvent être dangereux entre des mains inexpérimentées.
- e. Entretenez vos outils électriques. Vérifiez que les pièces mobiles sont alignées correctement et qu'elles ne sont pas coincées. Vérifiez qu'il n'y a pas de pièces cassées ou toute autre condition qui pourrait nuire au bon fonctionnement de l'outil. En cas de dommage, faites réparer l'outil électrique avant utilisation.** De nombreux accidents sont provoqués par des outils électriques mal entretenus.
- f. Maintenez les organes de coupe affûtés et propres.** Des organes de coupe bien entretenus et affûtés sont moins susceptibles de rester coincés et sont plus faciles à contrôler.
- g. Utilisez les outils électriques, les accessoires et les embouts d'outil conformément à ces instructions, en tenant compte des conditions de travail, ainsi que du travail à effectuer.** L'utilisation d'un outil électrique à des fins autres que celles pour lesquelles il a été prévu engendre des situations dangereuses.
- 5. Utilisation et entretien de la batterie de l'outil**
- a. N'effectuez la recharge qu'à l'aide du chargeur spécifié par le fabricant.** Un chargeur adapté pour un type de bloc-batterie peut engendrer un risque d'incendie s'il est utilisé avec un bloc-batterie différent.
- b. N'utilisez les outils électriques qu'avec les blocs-batteries qui leurs sont dédiés.** L'utilisation d'un autre bloc-batterie peut engendrer des blessures et un incendie.
- c. Lorsque le bloc-batterie n'est pas utilisé, éloignez-le des objets en métal comme les trombones, les pièces de monnaies, les clés, les clous, les vis ou d'autres petits objets métalliques qui pourraient créer une liaison entre les deux bornes. La mise en court-circuit des bornes d'une batterie peut provoquer des brûlures ou un incendie.**
- d. En cas d'utilisation abusive, du liquide peut être éjecté de la batterie. Évitez tout contact avec ce liquide. En cas de contact accidentel, rincez à l'eau. En cas de contact avec les yeux, consultez un médecin.** Le liquide projeté de la batterie peut provoquer des irritations ou des brûlures.
- 6. Réparation**
- a. Faites réparer votre outil électrique par une personne qualifiée, n'utilisant que des pièces de rechange d'origine.** Cela permet de garantir la sûreté de l'outil électrique.

Consignes de sécurité supplémentaires concernant les outils électriques



Avertissement ! Consignes de sécurité supplémentaires pour les tailles-haies

- ◆ **Gardez toutes les parties de votre corps loin de la lame. Ne cherchez pas à retirer les éléments coupés ou à tenir les éléments à couper quand les lames fonctionnent. L'outil doit être éteint pour éliminer les matériaux coincés.** Tout moment d'inattention en utilisant l'outil peut entraîner de graves blessures.
- ◆ **Le taille-haie doit être porté par la poignée avec la lame arrêtée. Installez toujours la cache-lame pour transporter ou ranger le taille-haie.** En respectant ces consignes, les risques de blessures sont limités.
- ◆ **Tenez l'outil électrique par ses surfaces de préhension isolées car il est possible que la lame entre en contact avec des fils cachés.** Tout contact de la lame avec un fil sous tension peut mettre les parties métalliques exposées de l'outil électrique sous tension et provoquer un choc électrique à l'utilisateur.
- ◆ L'usage prévu est décrit dans ce manuel d'utilisation. L'utilisation d'un accessoire ou d'une fixation ou l'utilisation de cet outil à d'autres fins que celles recommandées dans ce manuel d'utilisation présentent un risque de blessures et/ou de dommages matériels.
- ◆ Ne transportez pas l'outil avec les mains sur la poignée avant, l'interrupteur ou la gâchette si la batterie n'a pas d'abord été retirée.
- ◆ Si vous n'avez jamais utilisé de taille-haie, demandez à une personne expérimentée de vous donner quelques instructions et étudiez ce manuel.
- ◆ Ne touchez jamais les lames quand l'outil fonctionne.

- ◆ N'arrêtez jamais les lames de force.
- ◆ Ne posez pas l'outil avant l'arrêt complet des lames.
- ◆ Contrôlez régulièrement l'absence de dommage ou d'usure sur les lames. N'utilisez pas l'outil si ses lames sont endommagées.
- ◆ Évitez les objets durs (par exemple, les fils en métal, les rampes) pendant la taille. Si vous touchez ce type d'objets accidentellement, éteignez immédiatement l'outil et contrôlez l'absence de dommage.
- ◆ Si l'outil se met à vibrer de façon anormale, éteignez-le immédiatement et retirez-en la batterie avant de contrôler l'absence d'un quelconque dommage.
- ◆ Si l'outil cale, éteignez-le immédiatement. Retirez la batterie avant d'essayer de retirer tout bourage.
- ◆ Après utilisation, placez le protège-lame fourni sur les lames. Rangez l'outil en vous assurant que les lames ne sont pas à découvert.
- ◆ Assurez-vous toujours que tous les dispositifs de sécurités sont correctement installés avant d'utiliser l'outil. Ne tentez jamais d'utiliser un outil incomplet ou qui a été modifié de façon non autorisée.
- ◆ Ne laissez jamais les enfants utiliser l'outil.
- ◆ Faites attention aux branches qui tombent lorsque vous taillez le haut d'une haie.
- ◆ Tenez toujours l'outil avec les deux mains et par les poignées prévues à cet effet.

Sécurité des personnes

- ◆ Cet appareil n'est pas conçu pour être utilisé par des personnes (y compris des enfants) aux capacités physiques, sensorielles ou intellectuelles réduites ou sans expérience ni connaissances, à moins qu'elles ne soient surveillées ou qu'elles aient été informées sur la façon sûre d'utiliser l'appareil, par une personne responsable de leur sécurité.
- ◆ Ne laissez jamais les enfants sans surveillance afin d'éviter qu'ils ne jouent avec l'appareil.

Risques résiduels.

Certains risques résiduels autres que ceux mentionnés dans les avertissements sur la sécurité peuvent survenir en utilisant l'outil. Ces risques peuvent être provoqués par une utilisation incorrecte, prolongée, etc.

Malgré l'application des normes de sécurité pertinentes et la mise en œuvre de dispositifs de sécurité, certains risques résiduels ne peuvent pas être évités. Ils comprennent :

- ◆ Les blessures provoquées par le contact avec des pièces rotatives/mobiles.
- ◆ Les blessures provoquées pendant le remplacement de pièces, de lames ou d'accessoires.
- ◆ Les blessures dues à l'utilisation prolongée d'un outil. Lorsque l'outil est utilisé pendant de longues périodes, assurez-vous de faire des pauses régulières.
- ◆ La diminution de l'acuité auditive.

- ◆ Les risques pour la santé provoqués par l'inhalation des poussières générées pendant l'utilisation de votre outil (exemple : travail avec du bois, surtout le chêne, le hêtre et les panneaux en MDF).

Vibrations

La valeur des émissions de vibrations déclarée dans les caractéristiques techniques et la déclaration de conformité a été mesurée conformément à la méthode de test standard de la norme EN 60745 et peut être utilisée pour comparer un outil à un autre. La valeur des émissions de vibrations déclarée peut aussi être utilisée pour une évaluation préliminaire de l'exposition.

Avvertissement ! En fonction de la manière dont l'outil est utilisé, la valeur des émissions de vibrations réelles pendant l'utilisation de l'outil peut différer de la valeur déclarée. Le niveau des vibrations peut dépasser le niveau déclaré.

Quand l'exposition aux vibrations est évaluée afin de déterminer les mesures de sécurité requises par la norme 2002/44/CE pour protéger les personnes utilisant régulièrement des outils électriques, cette estimation doit tenir compte des conditions réelles d'utilisation et de la façon dont l'outil est utilisé. Il faut également tenir compte de toutes les composantes du cycle de fonctionnement comme la durée pendant laquelle l'outil est arrêté et quand il fonctionne au ralenti, ainsi que la durée du déclenchement.

Étiquettes sur l'outil

Les pictogrammes qui suivent figurent sur l'outil avec le code date :



Avvertissement ! Afin de réduire le risque de blessures, l'utilisateur doit lire le manuel d'utilisation.



Portez des lunettes de sécurité pendant l'utilisation de l'outil.



Portez des protections auditives pendant l'utilisation de l'outil.



N'exposez pas l'outil à la pluie ou à l'humidité.



Puissance sonore garantie conforme à la Directive 2000/14/CE.

Consignes de sécurité supplémentaires relatives aux batteries et aux chargeurs

Batteries

- ◆ Ne tentez jamais de les ouvrir sous aucun prétexte.
- ◆ N'exposez pas la batterie à l'eau.
- ◆ Ne la stockez pas dans des endroits où la température peut dépasser 40 °C.
- ◆ Ne les rechargez qu'à une température ambiante comprise entre 10 °C et 40 °C.
- ◆ Ne rechargez qu'à l'aide du chargeur fourni avec l'outil.
- ◆ Lors de la mise au rebut des batteries, respectez les instructions données dans la section « Protection de l'environnement ».



N'essayez pas de recharger des batteries endommagées.

Chargeurs

- ◆ N'utilisez votre chargeur BLACK+DECKER que pour recharger la batterie fournie avec l'appareil/outil. D'autres batteries pourraient exploser et provoquer des blessures et des dommages.
- ◆ Ne tentez jamais de recharger des piles non rechargeables.
- ◆ Faites immédiatement remplacer les cordons endommagés.
- ◆ N'exposez pas le chargeur à l'eau.
- ◆ N'ouvrez pas le chargeur.
- ◆ Ne testez pas le chargeur.



Le chargeur est conçu pour être exclusivement utilisé à l'intérieur.



Lisez le manuel d'utilisation avant d'utiliser l'outil.

Important : Il n'y a que les chargeurs suivants qui peuvent être utilisés pour recharger les batteries BL1554 et BL2554 54v :

90589867, 90621477, 90590287-01, 90590289-01, 90602042-01, 90590287-02, 90590289-02, 90599854-02, 90599854-06, 90599853-05, 90634971, 90634972, 90634973, 90642266, 90642264, 90642265, BDC2A

Sécurité électrique



Votre chargeur dispose d'une double isolation ; aucun fil de terre n'est donc nécessaire. Vérifiez toujours que la tension du secteur correspond à celle indiquée sur la plaque signalétique. N'essayez jamais de remplacer l'unité du chargeur avec une prise secteur ordinaire.

- ◆ Si le câble d'alimentation est endommagé, il doit être remplacé par le fabricant ou par un centre d'assistance agréé BLACK+DECKER afin d'éviter tout risque.

Caractéristiques

Cet outil dispose de tout ou partie des éléments suivants.

1. Gâchette
2. Interrupteur de déverrouillage
3. Poignée
4. Bouton POWERCOMMAND
5. Protège-lame
6. Poignée de démarrage
7. Lame
8. Lame de scie
9. Semelle lame de scie
10. Bloc-batterie Dualvolt (modèle GTC5455PC uniquement)
11. Panneau Dualvolt (modèle GTC5455PC uniquement)
12. Chargeur (modèle GTC5455PC uniquement)

Assemblage

Avertissement ! Avant l'assemblage, retirez la batterie de l'outil et installez le protège-lame sur les lames.

Avertissement ! Avant l'assemblage, assurez-vous que l'outil est éteint, débranché et que le protège-lame est en place.

Avertissement ! N'utilisez jamais l'outil sans la protection.

Procédure de charge

Les chargeurs BLACK+DECKER sont conçus pour recharger les blocs-batteries BLACK+DECKER.

- ◆ Branchez le chargeur (12) dans une prise appropriée avant d'insérer le bloc-batterie.
- ◆ Insérez le bloc-batterie dans le chargeur comme illustré par la figure A.
- ◆ Le voyant vert (12a) clignote pour indiquer que la batterie est en charge.
- ◆ La fin de la charge est indiquée par le voyant vert (12a) restant fixe en continu. Le bloc est alors complètement rechargé et il peut soit être utilisé, soit être laissé dans le chargeur.

Remarque : Rechargez les batteries déchargées dès que possible après utilisation pour ne pas grandement diminuer leur durée de vie. Pour augmenter la durée de vie de la batterie, ne la laissez pas se décharger complètement. Il est recommandé de recharger les batteries après chaque utilisation.

Laisser la batterie dans le chargeur

Le chargeur (12) et le bloc-batterie (11) peuvent rester raccordés avec le voyant allumé en continu. Le chargeur maintient le bloc-batterie complètement chargé.

Remarques importantes sur la charge

- ◆ Une durée de vie plus longue et de meilleures performances peuvent être obtenues si le bloc-batterie est rechargé lorsque la température de l'air est comprise entre 18° - 24°C (65°F et 75°F). NE rechargez PAS le bloc-batterie à une température ambiante inférieure à +40°F (+4,5°C) ou supérieure à +105°F (+40,5°C). Ce point est important et évite de graves dommages au bloc-batterie.
- ◆ Le chargeur et le bloc-batterie peuvent devenir chauds au toucher pendant la charge. Ceci est normal et n'indique pas un problème. Afin de faciliter le refroidissement du bloc-batterie après utilisation, évitez de placer le chargeur ou le bloc-batterie dans un environnement chaud comme une remise métallique ou une remorque non isolée.
- ◆ Si le bloc batterie ne se recharge pas correctement :
 - ◆ Vérifiez le courant au niveau de la prise murale en branchant une lampe ou un autre appareil.
 - ◆ Vérifiez que la prise de courant n'est pas reliée à un interrupteur coupant l'alimentation lorsqu'on éteint l'éclairage.
 - ◆ Déplacez le chargeur et le bloc-batterie dans un endroit où la température ambiante est comprise entre 18°C et 24°C (65°F - 75°F).
 - ◆ Si les problèmes de charge persistent, apportez l'outil, le bloc-batterie et le chargeur à votre centre d'assistance local.
- ◆ Le bloc-batterie doit être rechargé lorsqu'il ne parvient plus à fournir la puissance nécessaire aux opérations qui étaient facilement réalisées auparavant. Cessez D'UTILISER l'outil dans ces conditions. Respectez la procédure de charge. Vous pouvez également charger un bloc déjà utilisé si vous le souhaitez, sans que cela n'affecte le bloc-batterie.
- ◆ Les corps étrangers de nature conductrice tels que, mais ne se limitant pas à, la laine d'acier, le papier aluminium ou toute accumulation de particules métalliques doivent être tenus éloignés des cavités du chargeur. Débranchez toujours le chargeur de la prise lorsqu'il n'y a pas de pack batterie dans la cavité. Débranchez le chargeur avant de le nettoyer.
- ◆ Ne congelez pas le chargeur et ne l'immergez pas dans l'eau ou dans tout autre liquide.

Avertissement ! Ne laissez aucun liquide pénétrer dans le chargeur. Ne tentez jamais d'ouvrir le bloc-batterie pour quelque raison que ce soit. Si le corps en plastique du bloc-batterie se casse ou se fissure, retournez-le à un centre d'assistance pour qu'il soit recyclé.

Témoin du niveau de charge (Fig. B)

La batterie est équipée d'un témoin de niveau de charge.

Il permet d'afficher le niveau de charge actuel de la batterie pendant l'utilisation et au cours de la charge. Il n'indique pas

la fonctionnalité de l'outil et il peut varier en fonction des composants du produit, de la températures et de l'utilisation réelle de l'utilisateur.

Vérification de l'état de la charge pendant l'utilisation

- ◆ Appuyez sur le bouton témoin du niveau de charge (B1).
- ◆ Les trois voyants (B2) s'allument pour indiquer le pourcentage de charge de la batterie. Voir le tableau de la figure B.
- ◆ Si les voyants ne s'allument pas, rechargez la batterie.

Diagnostics du chargeur (Fig. E)

Consultez les voyants de la figure E pour connaître l'état de charge du bloc-batterie.

Batterie défectueuse

Si le motif de clignotement indique que la batterie est défectueuse, arrêtez la charge de la batterie. Renvoyez-la dans un centre d'assistance ou un centre de collecte pour qu'elle soit recyclée.

Délai Bloc chaud/froid

Lorsque le chargeur détecte que le bloc-batterie est trop chaud ou trop froid, il démarre automatiquement un Délai Bloc Chaud/Froid qui interrompt la charge jusqu'à ce que le bloc-batterie atteigne une température adaptée. Le chargeur passe ensuite automatiquement en mode Charge. Cette fonctionnalité assure une durée de vie maximale de la batterie. Un bloc-batterie froid se recharge à une cadence moins rapide qu'un bloc-batterie chaud. Le bloc-batterie se recharge à cette cadence plus lente durant tout le cycle de charge et n'atteint pas la charge maximale même si le bloc se réchauffe.

Installation et retrait du bloc-batterie dans l'outil

Avertissement ! Avant de retirer ou d'installer la batterie, assurez-vous que le bouton de verrouillage est enclenché afin d'éviter l'activation de l'interrupteur.

Pour installer le bloc-batterie (Fig. C)

- ◆ Insérez la batterie (10) dans l'outil jusqu'à entendre un clic (Figure C)
- ◆ Assurez-vous que le bloc-batterie est bien en place et parfaitement fixé.

Pour retirer le bloc-batterie (Fig. D)

- ◆ Enfoncez le bouton de libération de la batterie (10a) comme illustré par la figure D et tirez sur le bloc-batterie (10) pour le sortir de l'outil.

Bloc-Batterie Dualvolt 54V (Fig F)

Le bloc-batterie Dualvolt 54V peut être utilisé dans les outils sans fil Black+Decker 54V et 18 V. La batterie peut reconnaître l'outil dans lequel elle est insérée et fonctionner à la puissance adaptée et augmenter sa durée de fonctionnement dans les outils 18V. Le bouton d'état de charge (11) indique le niveau de charge à la fois à 54V et 18V

Fonctionnement

- ◆ Pour allumer l'appareil, enfoncez le bouton de verrouillage (2), enfoncez la gâchette (1) et la poignée de démarrage (6) comme illustré par la figure G. Une fois l'appareil en marche, relâchez le bouton de verrouillage. Afin de maintenir l'appareil en marche, vous devez continuer à enfoncer la gâchette.

Avertissement ! N'essayez jamais de bloquer l'interrupteur en position marche.

Instructions pour la taille

- ◆ Adoptez une position stable, gardez votre équilibre et ne vous penchez pas. Portez des lunettes de protection et des chaussures antidérapants pour effectuer la taille. Tenez l'appareil fermement à deux mains et allumez-le. Tenez toujours le taille-haie comme indiqué par les illustrations de ce manuel, une main sur la poignée interrupteur et l'autre main sur la poignée de démarrage (figure G). Ne tenez jamais l'appareil par le protège-lame.

Taille de nouvelles pousses (Fig. H)

- ◆ Un balayage ample faisant passer les dents de la lame dans les rameaux est le moyen le plus efficace. Une légère inclinaison de la lame vers le bas, dans le sens du mouvement donne de meilleurs résultats.

Avertissement ! Ne taillez pas de tiges de plus de 19 mm. N'utilisez le taille-haie que pour tailler des arbustes normaux autour des maisons et des bâtiments.

Égalisation des haies (Fig. I)

- ◆ Pour obtenir des haies parfaitement égalisées, il est possible de placer un fil comme guide le long de la haie.

Taille latérale des haies (Fig. J)

- ◆ Tenez le taille-haie comme indiqué et commencez par le bas pour balayer vers le haut.

POWERCOMMAND (Fig. K)

En cas de bourrage, enfoncez le bouton POWERCOMMAND (4) montré sur la figure K. Les lames effectuent un mouvement de va et vient plus lent mais plus puissant pour vous aider à tailler les branches difficiles. Relâchez le bouton pour revenir au mode de fonctionnement normal du taille-haie.

Remarque : Une fois le bouton relâché, les lames retrouvent immédiatement leur pleine vitesse.

Remarque : Les lames s'arrêtent lorsque le bouton est enfoncé plus de 15 secondes. Pour réactiver la fonction POWERCOMMAND, relâchez le bouton et enfoncez-le à nouveau. N'appuyez PAS de façon continue sur le bouton POWERCOMMAND en mode de fonctionnement normal.

Lame de scie (Fig. L)

Pour les branches trop grosses pour la lame (7), utilisez la lame de scie (8). Placez la lame de scie aussi près que possible du bas de la branche. Placez la semelle de la lame de scie (9) contre la branche. Allumez le taille-haie comment décrit plus haut, en laissant l'outil fonctionner à sa propre cadence jusqu'à ce que la branche soit totalement sciée.

Maintenance

Votre appareil/outil sans fil/avec fil BLACK+DECKER a été conçu pour fonctionner pendant longtemps avec un minimum d'entretien. Le fonctionnement continu et satisfaisant de l'outil dépend d'un entretien adéquat et d'un nettoyage régulier.

Avertissement ! Avant toute intervention de maintenance sur des outils électriques avec ou sans fil :

- ◆ Arrêtez et débranchez l'appareil/outil.
- ◆ Ou, éteignez l'appareil/outil et retirez en la batterie si celui-ci est muni d'un bloc-batterie séparé.
- ◆ Ou déchargez complètement la batterie si elle est intégrée au système, puis éteignez l'appareil.
- ◆ Débranchez le chargeur avant de le nettoyer. Votre chargeur ne nécessite aucun entretien particulier, à l'exception d'un nettoyage régulier.
- ◆ Nettoyez régulièrement les fentes d'aération de votre appareil/outil/chargeur à l'aide d'une brosse souple ou d'un chiffon sec.
- ◆ Nettoyez régulièrement le bloc-moteur à l'aide d'un chiffon humide. N'utilisez pas de détergents abrasifs ou à base de solvants.
- ◆ Après utilisation, nettoyez les lames avec précaution. Après avoir nettoyé les lames, appliquez une fine couche d'huile machine pour éviter la rouille.

Les lames de coupe sont fabriquées à partir d'un acier trempé de haute qualité et en conditions normales d'utilisation, elles n'ont pas besoin d'être affûtées. Cependant, si vous heurtez une clôture, des pierres, du verre ou d'autres objets durs de façon accidentelles, il se peut que vous ébréchiez la lame. Il n'est pas nécessaire de rectifier cette ébréchure tant qu'elle impacte pas le mouvement de la lame. Dans le cas contraire, retirez la batterie et utilisez une lime à dents fines ou une pierre à affûtée pour supprimer cette ébréchure.

Si vous faites tomber le taille-haie, contrôlez soigneusement l'absence de dommage. Si la lame est tordue, que le corps de l'outil est fissuré ou que les poignées sont cassées ou si vous détectez d'autres conditions qui pourraient nuire au bon fonctionnement du taille-haie, contactez votre centre d'assistance BLACK+DECKER local pour le faire réparer avant de le réutiliser. Les engrais et autres produits chimiques contiennent des agents qui accélèrent le phénomène de corrosion des métaux. Ne rangez pas l'appareil sur ou à proximité d'engrais ou de produits chimiques. Batterie retirée, n'utilisez que du savon doux et un chiffon humide pour nettoyer l'appareil. **Évitez toute pénétration de liquide à l'intérieur de l'appareil et ne plongez aucune partie de celui-ci dans du liquide.** Empêchez les lames de rouiller en appliquant une fine couche d'huile machine après le nettoyage.

Remplacement des prises principales (RU et Irlande uniquement)

Si une nouvelle prise d'alimentation doit être montée :

- ◆ Mettez au rebut la vieille prise.
- ◆ Branchez le fil brun dans la fiche sous tension de la nouvelle prise.
- ◆ Branchez le fil bleu à la fiche neutre.

Avertissement ! Aucun branchement ne doit être fait à la fiche de terre. Suivez les instructions d'installation fournies avec les prises de bonne qualité. Fusible recommandé : 5 A.

Dépannage		
Problème	Cause possible	Solution possible
Le fonctionnement est lent, bruyant ou les lames chauffent.	Les lames sont sèches, corrodées.	Lubrifiez les lames.
	La lame ou le support de lame est tordu.	Rectifiez la lame ou le support de lame.
	Les dents sont tordues ou endommagées.	Rectifiez les dents.
	Les boulons de la lame sont desserrés.	Resserrez les boulons de la lame.
L'appareil ne démarre pas.	Le bloc-batterie n'est pas bien installé.	Vérifiez l'installation du bloc-batterie.
	La batterie n'est pas chargée.	Vérifiez les caractéristiques de charge du bloc-batterie.
	Le déverrouillage n'est pas bien enclenché.	Contrôlez que le déverrouillage est complètement enfoncé avant de déplacer la gâchette principale.

Dépannage		
La batterie ne se recharge pas	La batterie n'est pas correctement insérée dans le chargeur.	Insérez la batterie dans le chargeur jusqu'à ce que le voyant vert apparaisse. Rechargez pendant 8 heures si la batterie est complètement vide.
	Le chargeur n'est pas branché.	Branchez le chargeur dans une prise murale qui fonctionne. Consultez la section "Remarques importantes sur la charge" pour avoir plus de détails. Vérifiez le courant en branchant une lampe ou un autre appareil dans la prise murale. Vérifiez que la prise de courant n'est pas reliée à un interrupteur coupant l'alimentation lorsqu'on éteint l'éclairage.
	La température ambiante est trop chaude ou trop froide.	Déplacez le chargeur et l'outil dans un endroit où la température ambiante est supérieure à 4,5°C (40°F) ou inférieure à +40,5°C (105°F).

Protection de l'environnement



Tri sélectif. Les produits et batteries marqués de ce symbole ne doivent pas être jetés avec les déchets ménagers.

Les produits et batteries contiennent des matières qui peuvent être récupérées et recyclées afin de réduire la demande en matières premières. Veuillez recycler les produits électriques et les batteries conformément aux dispositions locales en vigueur.

Données techniques

		GTC5455PC	GTC5455PCB
Tension	V_{CC}	54	54
Course de la lame (à vide)	min^{-1}	2600	2600
Longueur de la lame	cm	60	60
Jeu de lame	mm	19	19
Poids	kg	3,83	2,775
Batterie		BL2554	Module nu (sans batterie)
Tension	V_{CC}	54	
Capacité	Ah	1,5	
Type		Li-Ion	
Chargeur		BDC2A	Module nu (sans chargeur)
Tension d'entrée	V_{CA}	220 - 230	
Tension de sortie	V_{CC}	2000mA	
Courant	mA	2000	
Durée de charge approximative	heures	2,75	

Niveau de pression sonore selon la norme EN 60745 :
Pression sonore : (L_{pA}) 78 dB(A), incertitude (K) 3 dB(A)
Puissance sonore : GTC18504PC (L_{WA}) 92,5 dB(A) incertitude (K) 2,5 dB(A)
Valeurs totales des vibrations (somme vectorielle triaxiale) selon la norme EN 60745 :
Valeur d'émission de vibrations : GTC18504PC (a_{hV}) 2,7 m/s^2 , incertitude (K) 1,5 m/s^2

Déclaration de conformité CE

DIRECTIVES MACHINES
DIRECTIVE RELATIVE AUX NUISANCES SONORES
EXTÉRIEURES



Taille- haie GTC5455PC, GTC5455PCB

Black & Decker déclare que les produits décrits dans les «Données techniques» sont conformes aux normes : 2006/42/EC, EN 60745-1:2009 + A11:2010, EN 60745-2-15:2009 +A1:2010

2000/14/CE, taille-haie 1300min⁻¹, Annexe V
Puissance sonore mesurée (L_{WA}) 92,5 ? dB(A)
Incertitude (K) = 2,5 dB(A)

Puissance sonore garantie (L_{WA}) 92,5 dB(A)

Ces produits sont également conformes aux Directives 2004/108/CE et 2011/65/UE. Pour plus de détails, veuillez contacter Black & Decker à l'adresse suivante ou vous reporter au dos du manuel.

Le soussigné est responsable des données de la fiche technique et fait cette déclaration au nom de Black & Decker.

Ray Laverick
Directeur Ingénierie
Black & Decker Europe, 210 Bath Road, Slough,
Berkshire, SL1 3YD
Royaume-Uni
23/09/2016

Garantie

Black & Decker assure la qualité de ses produits et offre une garantie* de 24 mois aux utilisateurs, à partir de la date d'achat. Cette garantie s'ajoute à vos droits légaux auxquels elle ne porte aucunement préjudice. Cette garantie est valable au sein des territoires des États membres de l'Union Européenne et au sein de la Zone européenne de libre-échange.

Pour prétendre à la garantie, la réclamation doit être en conformité avec les conditions générales de Black & Decker et vous devez fournir une preuve d'achat au vendeur ou au réparateur agréé. Les conditions générales de la garantie de 2 ans Black&Decker ainsi que l'adresse du réparateur agréée le plus proche sont disponibles sur le site Internet www.2helpU.com ou en contactant votre agence Black & Decker locale à l'adresse indiquée dans ce manuel.

Veuillez consulter notre site Internet www.blackanddecker.co.uk pour enregistrer votre nouveau produit Black & Decker et pour être tenu informé des nouveaux produits et offres spéciales.

(Traduzione del testo originale)

ITALIANO

Uso previsto

I tosaerba BLACK+DECKER™ GTC5455PC, GTC5455PCB sono stati progettati per il taglio di erba, siepi, cespugli e rovi. Questi apparati sono destinati solo all'uso privato.

Istruzioni di sicurezza

Avvisi di sicurezza generici per gli elettrodomestici



Avvertenza! Leggere attentamente tutte le avvertenze e le istruzioni di sicurezza. La mancata osservanza delle presenti avvertenze e istruzioni potrebbe causare scosse elettriche, incendi e/o infortuni gravi.

Conservare tutte le avvertenze e le istruzioni per consultazioni future. Il termine "elettrodomestico" che ricorre in tutti gli avvisi seguenti si riferisce a utensili elettrici alimentati dalla rete (con filo) o a batteria (senza filo).

1. Sicurezza nella zona di lavoro

- Mantenere pulita e bene illuminata l'area di lavoro.** Gli ambienti disordinati o scarsamente illuminati favoriscono gli incidenti.
- Evitare di usare gli elettrodomestici in ambienti esposti a rischio di esplosione, ad esempio in presenza di liquidi, gas o polveri infiammabili.** Gli elettrodomestici generano scintille che possono incendiare le polveri o i fumi.
- Tenere lontani bambini e astanti mentre si usa un elettrodomestico.** Le distrazioni possono provocare la perdita di controllo.

2. Sicurezza elettrica

- Le spine elettriche degli elettrodomestici devono essere adatte alla presa.**
Non modificare la spina in alcun modo.

- Non utilizzare spine con adattatore con gli elettrodomestici dotato di messa a terra.** Per ridurre il rischio di scossa elettrica evitare di modificare le spine e utilizzare sempre le prese appropriate.
- b. **Evitare il contatto fisico con superfici collegate a terra, tipo tubi, radiatori, forni e frigoriferi.**
Se il proprio corpo è collegato con la terra, il rischio di scossa elettrica aumenta.
 - c. **Custodire gli elettrodomestici al riparo dalla pioggia o dall'umidità.** Se l'acqua entra nell'apparato elettrico aumenta il rischio di scossa elettrica.
 - d. **Non utilizzare il cavo in modo improprio. Non spostare, tirare o scollegare mai l'elettrodomestico dal cavo. Tenere il cavo di alimentazione lontano da fonti di calore, olio, bordi taglienti o parti in movimento.** Se il cavo è danneggiato o impigliato, il rischio di scossa elettrica aumenta.
 - e. **Se l'elettrodomestico viene adoperato all'aperto, usare esclusivamente prolunghie omologate per l'impiego all'esterno.** L'uso di un cavo di alimentazione adatto ad ambienti esterni riduce il rischio di scossa elettrica.
 - f. **Se non è possibile evitare di lavorare in una zona umida, usare un'alimentazione elettrica protetta da un dispositivo a corrente residua (RCD).**
L'uso di un interruttore differenziale riduce il rischio di scossa elettrica.
3. **Sicurezza delle persone**
 - a. **È importante concentrarsi su ciò che si sta facendo e maneggiare con giudizio l'elettrodomestico. Non utilizzare un elettrodomestico quando si è stanchi o sotto l'effetto di droghe, alcool o medicinali.** Un solo attimo di distrazione durante l'uso di tali apparati potrebbe provocare gravi lesioni personali
 - b. **Usare l'equipaggiamento di protezione personale. Utilizzare sempre protezioni oculari.** L'uso di abbigliamento di protezione quali mascherine antipolvere, scarpe antinfortunistiche antiscivolo, caschi di sicurezza o protezioni uditive, in condizioni opportune consente di ridurre le lesioni personali.
 - c. **Impedire l'avviamento involontario. Accertarsi che l'interruttore di accensione sia in posizione "off" (spento), prima di collegare l'elettrodomestico alla rete elettrica e/o al battery pack, di prenderlo in mano o di trasportarlo.** Per non esporsi al rischio di incidenti, non trasportare l'elettrodomestico tenendo le dita sull'interruttore e non collegarlo a una fonte di alimentazione elettrica con l'interruttore in posizione "on" (acceso).
 - d. **Prima di accendere un elettrodomestico, togliere eventuali utensili o chiavi di regolazione.** Un utensile di regolazione o una chiave fissati su una parte rotante dell'apparato elettrico possono provocare lesioni personali.
 - e. **Non sbilanciarsi. Mantenere sempre un appoggio e un equilibrio adeguati.** Ciò consente un migliore controllo dell'elettrodomestico nelle situazioni impreviste.
 - f. **Vestirsi adeguatamente. Non indossare abiti lenti o gioielli. Tenere i capelli, i vestiti e i guanti lontano dalle parti mobili.** Abiti larghi, gioielli o capelli lunghi possono impigliarsi nelle parti in movimento.
 - g. **Se gli elettrodomestici sono provvisti di attacchi per il collegamento di dispositivi di aspirazione o di raccolta della polvere, assicurarsi che questi siano installati e utilizzati correttamente.** La raccolta delle polveri può ridurre i pericoli legati a queste ultime.
 4. **Uso e cura dell'elettrodomestico**
 - a. **Non sovraccaricare l'elettrodomestico. Utilizzare un apparato adatto al lavoro da eseguire.** L'elettrodomestico lavora meglio e con maggior sicurezza secondo quanto è stato previsto.
 - b. **Non utilizzare elettrodomestici con interruttori difettosi.** Qualsiasi apparato elettrico che non possa essere controllato tramite l'interruttore è pericoloso e deve essere riparato.
 - c. **Scollegare la spina dalla presa di corrente e/o il battery pack dall'elettrodomestico prima di regolarlo, sostituirne gli accessori o di riparlo.** Queste misure di sicurezza preventive riducono il rischio di azionare l'apparato accidentalmente.
 - d. **Quando non vengono usati, gli elettrodomestici devono essere custoditi fuori dalla portata dei bambini. Non consentire l'uso dell'elettrodomestico a persone inesperte o che non abbiano letto le presenti istruzioni.** Gli apparati elettrici sono pericolosi in mano a persone inesperte.
 - e. **Sottoporre gli elettrodomestici a regolare manutenzione. Verificare che le parti mobili siano correttamente allineate e non inceppate, che non vi siano componenti rotti e che non sussistano altre condizioni che possono compromettere il funzionamento dell'elettrodomestico. Se danneggiato, far riparare l'elettrodomestico prima dell'uso.** Molti incidenti sono provocati da elettrodomestici non sottoposti a corretta manutenzione.
 - f. **Mantenere affilati e puliti gli strumenti da taglio.** La manutenzione corretta degli utensili da taglio con bordi affilati riduce le probabilità di inceppamento e ne facilita il controllo.
 - g. **Utilizzare l'elettrodomestico, gli accessori e le punte in conformità alle presenti istruzioni, tenendo conto delle condizioni di lavoro e del lavoro da completare.** L'utilizzo dell'apparato elettrico per impieghi diversi da quelli previsti può provocare situazioni di pericolo.

5. Uso e cura degli elettrotensili a batteria

- a. **Ricaricare solo usando l'alimentatore prescritto dal fabbricante.** Un caricabatteria adatto per un tipo di gruppo batterie può esporre al rischio d'incendio se usato con battery pack diverso.
- b. **Usare gli elettrotensili con gli appositi battery pack.** L'impiego di battery pack di altro tipo potrebbe creare il rischio di lesioni e di incendi.
- c. **Quando il battery pack non viene usato, tenerlo lontano da altri oggetti metallici tipo graffette, monete, chiavi, chiodi, viti o altri oggetti metallici di piccole dimensioni, che potrebbero cortocircuitare un morsetto con l'altro.** Se i morsetti della batteria vengono cortocircuitati si potrebbero causare ustioni o un incendio.
- d. **In condizioni di sovraccarico, le batterie possono perdere liquido: evitare di toccarlo. In caso di contatto accidentale, sciacquare con acqua. Se il liquido entra a contatto con gli occhi, consultare un medico.** Il liquido che fuoriesce dalla batteria può causare irritazioni o ustioni.

6. Assistenza

- a. **Fare riparare l'elettrotensile esclusivamente da personale specializzato e solo usando pezzi di ricambio originali.** In questo modo viene garantita la sicurezza dell'apparato elettrico.

Altri avvisi di sicurezza per gli elettrotensili



Avvertenza! Aggiuntivi avvisi di sicurezza per i taglia siepi

- ◆ **Tenere ogni parte del corpo lontana dalla lama. Non rimuovere i rami tagliati e non tenere con le mani il ramo da potare quando le lame sono in movimento. Accertarsi che l'interruttore sia spento quando si elimina il materiale che si è inceppato.** Un attimo di distrazione durante l'uso dell'elettrotensile può causare gravi infortuni personali.
- ◆ **Trasportare il taglia siepi dall'impugnatura con la lama ferma. Quando si trasporta o si ripone il taglia siepi montare sempre il fodero sulla lama.** Un utilizzo corretto del taglia siepi riduce il rischio di lesioni personali causate dalle lame.
- ◆ **Afferrare l'elettrotensile solo sull'impugnatura provvista di materiale isolante, dato che la lama potrebbe venire a contatto di cavi nascosti.** Il contatto tra le lame e un filo sotto tensione, mette sotto tensione anche le parti metalliche esposte dell'elettrotensile esponendo l'operatore a scosse elettriche.
- ◆ L'utilizzo previsto è indicato nel presente manuale.

Se questo elettrotensile viene usato con accessori o per usi diversi da quelli raccomandati nel presente manuale d'uso, si potrebbero verificare lesioni personali e/o danni alle cose.

- ◆ Non trasportare l'elettrotensile con le mani sull'impugnatura anteriore, sull'interruttore o sul grilletto, a meno che non sia stata tolta la batteria.
- ◆ Se non si è mai usato un taglia siepi prima d'ora, è preferibile chiedere a un utente esperto una dimostrazione pratica oltre a studiare il presente manuale.
- ◆ Non toccare mai le lame quando l'elettrotensile è acceso.
- ◆ Non tentare mai di fermare a forza e lame.
- ◆ Non appoggiare l'elettrotensile fino a quando le lame non si sono completamente fermate.
- ◆ Controllare regolarmente che le lame non siano danneggiate e usurate. Non usare l'elettrotensile quando le lame sono danneggiate.
- ◆ Prestare attenzione a evitare oggetti duri (ad esempio filo metallico, inferriate) durante il taglio. Se si dovesse accidentalmente colpire un oggetto di questo tipo, spegnere immediatamente l'elettrotensile e controllare se ha subito danni.
- ◆ Se l'elettrotensile dovesse cominciare a vibrare in modo anomalo, spegnerlo immediatamente, estrarre la batteria e quindi controllare se vi sono danni.
- ◆ Se l'elettrotensile si blocca, spegnerlo immediatamente. Togliere la batteria prima di tentare di rimuovere eventuali ostruzioni.
- ◆ Dopo l'uso, infilare il fodero fornito sulle lame. Riporre l'elettrotensile, verificando che la lama non sia esposta.
- ◆ Controllare sempre che tutte le protezioni siano montate quando si usa l'elettrotensile. Non tentare mai di usare un elettrotensile non completo o che abbia subito modifiche non autorizzate.
- ◆ Non permettere mai ai bambini di usare l'elettrotensile.
- ◆ Essere consapevoli della possibilità di caduta dei pezzi tagliati dai lati più alti di una siepe.
- ◆ Tenere sempre l'elettrotensile con entrambe le mani e mediante le impugnature fornite.

Sicurezza altrui

- ◆ Questo elettrotensile non è destinato all'uso da parte di persone (compresi i bambini) con capacità fisiche, sensoriali o mentali ridotte, o prive di esperienza e conoscenze, salvo che non siano sottoposte a sorveglianza o ricevano istruzioni riguardanti all'uso dell'apparecchio da parte di una persona responsabile della loro sicurezza.
- ◆ I bambini devono essere sorvegliati per assicurarsi che non giochino con l'elettrotensile.

Rischi residui.

L'utilizzo dell'elettrotensile può comportare rischi residui non necessariamente riportati nelle presenti avvertenze di sicurezza. Tali rischi possono sorgere a seguito di un uso prolungato o improprio, ecc.

Malgrado il rispetto delle principali norme di sicurezza e l'implementazione di dispositivi di sicurezza, alcuni rischi residui non possono essere evitati. Tali rischi residui includono:

- ◆ Lesioni causate o subite a seguito del contatto con parti rotanti/in movimento.
- ◆ Lesioni causate o subite durante la sostituzione di parti, lame o accessori.
- ◆ Lesioni causate dall'impiego prolungato di un elettrotensile. (quando si usa qualsiasi utensile per lunghi periodi, accertarsi di fare regolarmente delle pause);
- ◆ menomazioni uditive;
- ◆ Rischi per la salute causati dall'aspirazione di polvere generata dall'utilizzo dell'elettrotensile (ad esempio quando si lavora con il legno, in modo particolare quello di quercia, faggio o l'MDF.)

Vibrazioni

I valori dichiarati delle emissioni di vibrazioni al paragrafo Dati tecnici e nella Dichiarazione di conformità del presente manuale sono stati misurati in base al metodo di test standard previsto dalla normativa EN 60745 e possono essere usati come parametri di confronto tra due utensili. Il valore delle emissioni di vibrazioni dichiarato può anche essere usato come valutazione preliminare dell'esposizione.

Avvertenza! Il valore delle emissioni di vibrazioni durante l'impiego effettivo dell'elettrotensile può variare da quello dichiarato a seconda delle modalità d'uso. Il livello delle vibrazioni può aumentare oltre quello dichiarato.

Quando si valuta l'esposizione alle vibrazioni per determinare le misure di sicurezza richieste dalla normativa 2002/44/CE destinata alla protezione delle persone che usano regolarmente gli elettrotensili nello svolgimento delle proprie mansioni, è necessario prendere in considerazione le condizioni effettive di utilizzo e il modo in cui l'utensile è usato, oltre che tenere in conto tutte le componenti del ciclo operativo, vale a dire i periodi in cui l'elettrotensile è spento, quelli in cui è acceso ma a riposo e quelli in cui è effettivamente utilizzato.

Etichette sull'apparato

Sull'elettrotensile sono presenti i seguenti simboli assieme al codice data:



Avvertenza! Per ridurre il rischio di infortuni, l'utente deve leggere il manuale d'istruzione.



Indossare occhiali di sicurezza quando si usa l'elettrotensile.



Indossare otoprotezioni quando si usa l'elettrotensile.



Non esporre l'elettrotensile alla pioggia o a un'umidità intensa.



Pressione sonora garantita in base alla direttiva 2000/14/CE.

Istruzioni di sicurezza aggiuntive per batterie e caricabatterie

Batterie

- ◆ Non tentare mai di aprirle per qualsiasi motivo.
- ◆ Non lasciare che la batteria si bagni.
- ◆ Non riporre in luoghi dove la temperatura potrebbe superare 40 °C.
- ◆ Caricare solo a temperature ambientali tra 10 °C e 40 °C.
- ◆ Caricare solo usando il caricabatterie fornito con l'elettrotensile.
- ◆ Quando si smaltiscono le batterie, seguire le istruzioni riportate al capitolo "Protezione dell'ambiente".



Non tentare di caricare delle batterie danneggiate.

Caricabatterie

- ◆ Usare l'alimentatore BLACK+DECKER solo per caricare la batteria nell'apparecchio con il quale è stato fornito. Altre batterie potrebbero scoppiare causando lesioni alle persone e danni alle cose.
- ◆ Non tentare mai di caricare batterie non ricaricabili.
- ◆ Fare sostituire immediatamente i fili di alimentazione difettosi.
- ◆ Non lasciare che il caricabatterie si bagni.
- ◆ Non aprire il caricabatterie.
- ◆ Non collegare il caricabatterie a sonde.



L'alimentatore può solo essere usato all'interno



Leggere il presente manuale d'uso prima dell'impiego.

Importante: per caricare le batterie BL 1554 e BL 2554 da 54 V utilizzare esclusivamente i modelli di caricabatterie elencati di seguito:

90589867, 90621477, 90590287-01, 90590289-01, 90602042-01, 90590287-02, 90590289-02, 90599854-02, 90599854-06, 90599853-05, 90634971, 90634972, 90634973, 90642266, 90642264, 90642265, BDC2A

Sicurezza elettrica



Il doppio isolamento di cui è provvisto il caricabatterie rende superfluo il filo di terra. Controllare sempre che la tensione di rete corrisponda a quella indicata sulla targhetta dei dati tecnici. Non tentare mai di sostituire il caricabatterie con una normale spina elettrica.

- ◆ In caso di danneggiamento del cavo di alimentazione, è necessario farlo riparare dal fabbricante o presso un centro assistenza BLACK+DECKER autorizzato in modo da evitare eventuali pericoli.

Caratteristiche

Questo elettrodomestico presenta alcune o tutte le seguenti caratteristiche.

1. Interruttore di azionamento
2. Interruttore di sicurezza
3. Impugnatura
4. Pulsante POWERCOMMAND
5. Riparo lama
6. Barra di sicurezza
7. Lama
8. Lama
9. Scarpa della lama della sega
10. battery pack DualVolt (solo con il modello GTC5455PC)
11. Pannello DualVolt (solo con il modello GTC5455PC)
12. Caricabatterie (solo con il modello GTC5455PC)

Assemblaggio

Avvertenza! Prima del montaggio, estrarre la batteria dall'elettrotensile e infilare il fodero sopra le lame.

Avvertenza! Prima del montaggio, controllare che l'elettrotensile sia spento e scollegato dalla presa di corrente e che la guaina sia infilata sulle lame.

Avvertenza! Non usare mai l'elettrotensile senza la protezione.

Procedura di caricamento

I caricabatteria BLACK+DECKER sono progettati per caricare i pacchi batteria BLACK+DECKER.

- ◆ Collegare il caricabatterie (12) a una presa di corrente adatta prima di inserire il battery pack.
- ◆ Inserire il battery pack nel caricabatteria come mostrato in figura A.
- ◆ Il LED verde (12a) lampeggia mentre la carica è in corso.
- ◆ Il completamento della carica sarà indicato dal LED verde (12a) che rimane acceso fisso.

Il battery pack è completamente carico e può essere utilizzato in questo momento o lasciato nel caricabatterie.

Nota: ricaricare le batterie scariche al più presto dopo l'uso, altrimenti la durata della batteria potrebbe diminuire notevolmente. Per la massima durata della batteria, non scaricare completamente le batterie. Consigliamo di ricaricare le batterie dopo ciascun impiego.

Batteria lasciata nel caricabatterie

Il caricabatterie (12) e il battery pack (11) possono essere lasciati collegati con il LED sempre acceso. Il caricabatterie manterrà il battery pack come nuovo e completamente carico.

Note importanti riguardanti la ricarica

- ◆ È possibile ottenere la massima durata e prestazioni ottimali se la batteria viene caricata con una temperatura dell'aria è compresa tra 18°C e 24°C (65°F e 75°F). NON caricare il battery pack a una temperatura dell'aria al di sotto di +4,5°C (+40°F), o al di sopra di +40,5°C (+105°F). Questo è importante e consentirà di evitare gravi danni al battery pack.
- ◆ Il caricabatterie e il battery pack possono diventare caldi al tatto durante la carica. È un fatto normale che non indica la presenza di problemi. Per facilitare il raffreddamento del battery pack dopo l'uso, evitare di posizionare il caricatore o il battery pack in un ambiente caldo come ad esempio in un capannone di metallo, o un rimorchio non isolato.
- ◆ Se il battery pack non si ricarica correttamente:
 - ◆ Controllare la presenza di corrente nella presa collegandovi una lampada o apparecchio simile.
 - ◆ Verificare se la presa è collegata ad un interruttore della luce che si spegne quando si spengono le luci.
 - ◆ spostare il caricabatterie e il battery pack in un luogo dove la temperatura dell'aria circostante è di circa 18°C - 24°C (65°F - 75°F).
 - ◆ Se i problemi di ricarica persistono, portare l'elettrotensile, il battery pack e il caricabatterie presso il centro di assistenza di zona.
- ◆ Il battery pack deve essere sostituito se non riesce a produrre energia a sufficienza per lavori che prima venivano svolti con facilità. NON CONTINUARE l'utilizzo in queste condizioni. Seguire la procedura di ricarica. È anche possibile ricaricare un battery pack parzialmente utilizzato ogni volta che si desidera, senza alcun effetto negativo sulla batteria.
- ◆ Materiali estranei di natura conduttiva quali, a titolo esemplificativo, ma non esaustivo, lana d'acciaio, fogli di alluminio o qualsiasi accumulo di particelle metalliche devono essere tenuti lontano dalle cavità del caricabatterie. Staccare sempre il caricabatterie dalla presa di corrente quando il battery pack non è inserito. Staccare il caricabatterie dalla presa di corrente prima di iniziare a pulirlo.

- ◆ Non immergere nessuna parte dell'elettrodomestico in acqua o in altre sostanze liquide.

Avvertenza! Non far penetrare alcun liquido all'interno al caricabatterie. Non tentare mai di aprire il battery pack per alcun motivo. Se l'involucro in plastica del battery pack si rompe o si crepa, portarlo presso un centro di assistenza per il riciclaggio.

Indicatore dello stato di carica (Fig. B)

La batteria è dotata di un indicatore dello stato di carica, che può essere usato per indicare il livello attuale di carica della batteria durante l'impiego e la ricarica. Non indica la funzionalità dell'elettrotensile ed è soggetto a variazioni in base ai componenti del prodotto, alla temperatura e all'applicazione dell'utilizzatore finale.

Verifica dello stato di carica durante l'uso

- ◆ Premere il pulsante dell'indicatore dello stato di carica (B1).
- ◆ I tre LED (B2) si illumineranno per indicare la percentuale di carica della batteria. Vedere il diagramma riportato nella Figura B.
- ◆ Se il LED non si accende, ricaricare la batteria.

Diagnostica del caricabatterie (Fig.E)

Fare riferimento agli indicatori illustrati nella Figura E per lo stato di carica del battery pack.

Batteria guasta

Se compare il motivo di lampeggiamento che segnala un guasto alla batteria, non continuare a caricarla. Portarla presso un centro di assistenza o un sito di raccolta per il riciclaggio.

Ritardo pacco caldo/freddo

Quando il caricabatterie rileva un battery pack troppo caldo o troppo freddo, avvia automaticamente un Ritardo pacco caldo/freddo, sospendendo la ricarica fino a che il battery pack non ha raggiunto una temperatura appropriata. Quindi il caricabatterie passa automaticamente alla modalità di ricarica del battery pack.

Questa funzione garantisce la massima durata della batteria. Un battery pack freddo si ricarica a una velocità inferiore rispetto a un battery pack caldo. Il battery pack si ricaricherà a una velocità rallentata per tutto il ciclo di ricarica e non tornerà alla velocità di ricarica massima, anche se si scalda.

Inserimento e rimozione del battery pack dall'elettrotensile

Avvertenza! Verificare che il pulsante di bloccaggio sia attivato per evitare l'azionamento dell'interruttore mentre si estrae o si inserisce la batteria.

Per installare il battery pack (Fig. C)

- ◆ Inserire la batteria (10) nell'apparecchio finché non si sente un clic (Figura. C).
- ◆ Assicurarsi che il battery pack sia insediato a fondo e completamente bloccato in posizione.

Per rimuovere il battery pack (Fig.D)

- ◆ Premere il pulsante di rilascio della batteria (10a) come indicato in figura D ed estrarre il battery pack (10) dall'utensile.

Battery pack Dualvolt 54V (Fig. F)

Il battery pack Dualvolt 54V può essere usato sugli elettrotensili senza filo Black & Decker da 54 V e 18 V. La batteria è in grado di riconoscere l'utensile in cui viene inserita e funzionerà alla stessa potenza, assicurando una durata di funzionamento prolungata per gli elettrotensili da 18 V. Sulla batteria è presente un pulsante dello stato di carica (11) che indica il livello di carica a 54 V e 18 V.

Funzionamento

- ◆ Per accendere l'unità, premere il pulsante di blocco (2) verso il basso, schiacciare il grilletto (1) e spingere l'impugnatura di bloccaggio con doppio interruttore (6) come mostrato in figura G. Una volta che l'unità è in funzione, è possibile rilasciare il pulsante di blocco. Per mantenere l'unità in funzione è necessario continuare a premere il grilletto.

Avvertenza! Non tentare mai di bloccare un interruttore in posizione "on" (accesso).

Istruzioni per il taglio

- ◆ Mantenere una posizione sicura e l'equilibrio e non sbilanciarsi. Indossare occhiali protettivi e calzature antiscivolo durante il taglio. Tenere l'unità saldamente con entrambe le mani e accendere l'unità. Tenere sempre il tagliasepi, come mostrato nelle illustrazioni di questo manuale, con una mano sull'impugnatura dell'interruttore e una mano sull'impugnatura di serraggio (figura G). Non tenere mai l'unità per la protezione della lama.

Taglio di nuova erba (Fig. H)

- ◆ Un movimento ampio, alimentando i denti della lama attraverso i rami è più efficace. Una leggera inclinazione verso il basso della lama, nella direzione del moto dà il taglio migliore.

Avvertenza! Non tagliare gambi superiori a 19 millimetri. Utilizzare il tagliasepi solo per il taglio di arbusti normali intorno a case ed edifici.

Siepi uniformi (Fig. I)

- ◆ Per ottenere siepi perfettamente uniformi è possibile allungare un pezzo di filo per tutta la lunghezza della siepe come guida.

Taglio laterale di siepi (Fig. J)

- ◆ Tenere il tagliasiepi come mostrato e iniziare al fondo e passare verso l'alto.

POWERCOMMAND (Fig.K)

Se si incontra un inceppamento, premere il pulsante POWERCOMMAND (4) mostrato in Figura K. Le lame si sposteranno avanti e indietro con un ritmo più lento e più forte per aiutare a tagliare attraverso i rami più difficili. Rilasciare il pulsante per tornare al normale taglio di siepi.

Nota: Una volta rilasciato il pulsante, le lame torneranno immediatamente alla massima velocità.

Nota: Le lame si arrestano quando il pulsante viene tenuto per 15 secondi. Per riattivare la funzione POWERCOMMAND, rilasciare il pulsante e premerlo nuovamente. NON tenere continuamente il pulsante POWERCOMMAND durante il normale taglio di siepi.

Lama della sega (Fig.L)

Per rami troppo grandi per essere tagliati dalla lama (7), utilizzare la lama della sega (8). Posizionare la lama della sega il più vicino possibile al fondo del ramo. Posizionare la scarpa della lama della sega (9) contro il ramo. Accendere il tosaerba come descritto di sopra, consentendo all'utensile di funzionare alla sua velocità fino a che il ramo non viene completamente tagliato.

Manutenzione

Questo elettrotensile BLACK+DECKER con o senza filo è stato concepito per funzionare a lungo con una manutenzione minima. Prestazioni sempre soddisfacenti dipendono da una cura appropriata e da una pulizia regolare.

Avvertenza! Prima di eseguire interventi di manutenzione su elettrotensili con o senza filo procedere come descritto di seguito.

- ◆ Spegner e scollegare l'elettrotensile dalla presa di corrente.
- ◆ Oppure spegnere ed estrarre la batteria se l'apparecchio/elettrotensile è dotato di battery pack a parte.
- ◆ Oppure scaricare completamente la batteria, se è di tipo integrale, quindi spegnerlo.
- ◆ Scollegare il caricabatterie prima di pulirlo. Il caricabatterie non richiede nessuna manutenzione salvo una regolare pulizia.
- ◆ Pulire regolarmente le prese di ventilazione dell'apparecchio/elettrotensile/alimentatore con un pennello o con un panno morbido e asciutto.

- ◆ Il vano del motore deve essere pulito regolarmente con un panno umido. Non usare materiali abrasivi o detergenti a base di solventi.
- ◆ Dopo l'uso, pulire con attenzione le lame. Dopo la pulizia, stendere un velo di olio per macchinari leggero per impedire alle lame di arrugginarsi.

Le lame di taglio sono realizzate in acciaio temprato di alta qualità e con l'uso normale non richiedono la riaffilatura. Tuttavia, se viene accidentalmente colpito un recinto, pietre, vetro o altri oggetti duri, è possibile che si crei un graffio nella lama. Non è necessario eliminare questo graffio purché non interferisca con il movimento della lama. Se interferisce, rimuovere la batteria e utilizzare una lima a denti fini o pietra per affilare per rimuovere il graffio.

In caso di caduta del tagliasiepi, ispezionarlo per verificare la presenza di danni. Se la lama è piegata, l'alloggiamento incrinato, le impugnature rotte o se si nota qualsiasi altra condizione che potrebbe compromettere il funzionamento del tagliasiepi, contattare il centro di assistenza BLACK+DECKER locale per le riparazioni prima di rimetterlo in uso. I fertilizzanti e gli altri prodotti chimici usati in giardino contengono sostanze che velocizzano notevolmente la corrosione dei metalli. Non conservare l'unità su o accanto ai fertilizzanti o sostanze chimiche. Per pulire l'unità, utilizzare solamente sapone neutro e un panno umido con la batteria rimossa. Evitare la penetrazione di liquidi all'interno dell'apparecchio e non immergere mai nessuna parte dello stesso in un liquido. Impedire alle lame di arrugginarsi mediante l'applicazione di una pellicola di olio per macchine leggero dopo la pulizia.

Sostituzione della spina (solo Regno Unito e Irlanda)

Se è necessario installare una nuova spina:

- ◆ smaltire in tutta sicurezza quella vecchia.
- ◆ Collegare il filo marrone al morsetto sotto tensione della nuova spina.
- ◆ Collegare il filo blu al morsetto neutro.

Avvertenza! Non deve essere effettuato nessun collegamento al terminale di messa a terra. Seguire le istruzioni di montaggio fornite con spine di buona qualità. Fusibile raccomandato: 5 A.

Ricerca guasti		
Problema	Causa possibile	Soluzione possibile
Lame lente, rumorose o bollenti.	Lame asciutte e corrosive.	Lubrificare le lame.
	Lama o supporto della lama piegato.	Raddrizzare la lama o il supporto della lama.
	Denti piegati o danneggiati.	Raddrizzare i denti.
	Allentare i bulloni della lama.	Serrare i bulloni della lama.

Ricerca guasti		
L'unità non parte.	Batteria non installata correttamente.	Controllare l'inserimento della batteria.
	Batteria scarica.	Controllare i requisiti di carica della batteria.
	Blocco non completamente azionato.	Verificare se il blocco è completamente premuto prima di muovere il grilletto principale.
La batteria non si carica.	La batteria non è inserita nell'alimentatore.	Inserire la batteria nell'alimentatore finché non compare il LED verde. Caricare fino a 8 ore se la batteria è completamente scarica.
	Alimentatore non collegato a una presa di corrente.	Collegare l'alimentatore a una presa di corrente che funzioni. Consultare "Note importanti sul caricamento" per ulteriori dettagli. Controllare la presenza di corrente nella presa collegandovi una lampada o apparecchio simile. Verificare se la presa è collegata ad un interruttore della luce che si spegne quando si spengono le luci.
	Temperatura dell'aria circostante troppo calda o troppo fredda.	Spostare il caricabatteria e l'uten-sile ad una temperatura dell'aria circostante al di sopra di 4,5 °C o al di sotto di +40,5 °C.

Corrente	mA	2000	
Tempo di ricarica approssimativo	ore	2,75	

Livello di pressione sonora misurato in base a EN 60745:	
Pressione sonora: (L_{pA}) 78 dB(A), incertezza (K) 3 dB(A)	
Potenza sonora: GTC18504PC (L_{WA}) 92,5 dB(A) incertezza (K) 2,5 dB(A)	
Valori totali vibrazioni (somma vettoriale triassiale) in base a EN 60745:	
Valore emissioni vibrazioni: GTC18504PC (a_{hV}) 2,7 m/s^2 , incertezza (K) 1,5 m/s^2	

Dichiarazione di conformità CE

DIRETTIVA MACCHINE
DIRETTIVA SULLA RUMOROSITÀ ESTERNA



Tagliasiepi GTC5455PC, GTC5455PCB
Black & Decker dichiara che i prodotti descritti al paragrafo "Dati tecnici" sono conformi alle seguenti normative:
2006/42/EC, EN 60745-1:2009 +A11:2010,
EN 60745-2-15:2009, A1:2010
2000/14/CE, tagliasiepi, 1300min-1, Allegato V
Pressione sonora misurata (L_{WA}) 92,5 dB(A)
Incertezza (K) 2,5 dB(A)
Pressione sonora garantita (L_{WA}) 92,5 dB(A)

Questi prodotti sono conformi alla Direttiva 2004/108/CE e 2011/65/UE. Per ulteriori informazioni contattare Black & Decker al seguente indirizzo oppure consultare l'ultima di copertina del manuale.
Il sottoscritto è responsabile della dichiarazione di questo documento tecnico e rilascia questa dichiarazione per conto di Black & Decker.

Ray Laverick
Direttore tecnico
Black & Decker Europe, 210 Bath Road, Slough,
Berkshire, SL1 3YD
Regno Unito
23/09/2016

Protezione dell'ambiente



Raccolta differenziata. I prodotti e le batterie contrassegnati con questo simbolo non devono essere smaltiti con i rifiuti domestici normali.

I prodotti e le batterie contengono materiali che possono essere recuperati o riciclati riducendo la richiesta di materie prime. Riciclare i prodotti elettrici e le batterie secondo le disposizioni locali.

Dati tecnici

		GTC5455PC	GTC5455PCB
Tensione	V_{DC}	54	54
Corse della lama (senza carico)	min^{-1}	2600	2600
Lunghezza lama	cm	60	60
Distanza lama	mm	19	19
Peso	kg	3,83	2,775
Batteria		BL2554	Unità nuda (senza batteria)
Tensione	V_{DC}	54	
Capacità	Ah	1,5	
Tipo		Agli ioni di litio	
Caricabatterie		BDC2A	Unità nuda (senza caricabatterie)
Tensione in ingresso	V_{AC}	220 - 230	
Tensione erogata	V_{DC}	2000mA	

Garanzia

Black & Decker è sicura della qualità dei propri prodotti e offre ai consumatori una garanzia di 24 mesi dalla data di acquisto. Il presente certificato di garanzia è complementare ai diritti legali e non li pregiudica in alcun modo. La garanzia è valida sui territori degli Stati membri dell'Unione Europea o dell'EFTA (Associazione europea di libero scambio).

Per attivare la garanzia, il reclamo deve essere effettuato in accordo con i Termini e Condizioni Black & Decker e sarà necessario presentare la prova di acquisto al venditore o all'agente di riparazione autorizzato. I Termini e condizioni della garanzia Black & Decker di 2 anni e la sede dell'agente di riparazione autorizzato più vicino sono consultabili su Internet all'indirizzo www.2helpU.com, o contattando l'ufficio Black & Decker di zona all'indirizzo indicato in questo manuale.

Visitare il nostro sito www.blackanddecker.co.uk per registrare il nuovo prodotto Black & Decker e ricevere gli aggiornamenti sui nuovi prodotti e le offerte speciali.

NEDERLANDS

(Vertaling van de originele
instructies)

Bedoeld gebruik

De BLACK+DECKER™-heggenscharen van het type GTC5455PC, GTC5455PCB zijn ontworpen voor het snoeien van heggen, heesters en braamstruiken. Deze gereedschappen zijn uitsluitend bestemd voor gebruik door consumenten.

Veiligheidsinstructies

Algemene veiligheidswaarschuwingen voor elektrisch gereedschap



Waarschuwing! Lees alle veiligheidswaarschuwingen en alle instructies. Wanneer de volgende waarschuwingen en voorschriften niet in acht worden genomen, kan dit een elektrische schok, brand of ernstig letsel tot gevolg hebben.

Bewaar alle waarschuwingen en instructies als referentiemateriaal. Het in de waarschuwingen gebruikte begrip 'elektrisch gereedschap' heeft betrekking op elektrisch gereedschap voor gebruik op de netspanning (met netsnoer) of op accu (snoerloos).

1. Veilige werkomgeving

- a. **Houd uw werkomgeving schoon en goed verlicht.** Op rommelige of donkere plekken zullen sneller ongelukken gebeuren.

- b. **Werk niet met elektrisch gereedschap in een omgeving met explosiegevaar, zoals in de nabijheid van brandbare vloeistoffen, gassen of stof.** Elektrisch gereedschap veroorzaakt vonken die het stof of de dampen kunnen doen ontbranden.
- c. **Houd kinderen en omstanders op afstand, wanneer u met elektrisch gereedschap werkt.** Als u wordt afgeleid, kunt u de controle over het gereedschap verliezen.

2. Elektrische veiligheid

- a. **De netstekker van het gereedschap moet in het stopcontact passen. Pas de stekker nooit op enige manier aan. Gebruik geen adapterstekkers in combinatie met geaard elektrisch gereedschap.** Niet-aangepaste stekkers en passende contactdozen verminderen het risico van een elektrische schok.
- b. **Vermijd aanraking van het lichaam met gearde oppervlakken, bijvoorbeeld buizen, verwarmingen, fornuizen en koelkasten.**
Er bestaat een verhoogd risico van een elektrische schok als uw lichaam contact heeft met aarde.
- c. **Stel het gereedschap niet bloot aan regen en vocht.**
Als er water in een elektrisch gereedschap dringt, verhoogt dit het risico van een elektrische schok.
- d. **Behandel het snoer voorzichtig. Gebruik het snoer nooit om het elektrische gereedschap te dragen of naar u toe te trekken, of de stekker uit het stopcontact te halen. Houd het snoer uit de buurt van warmte, olie, scherpe randen, of bewegende onderdelen.**
Beschadigde snoeren of snoeren die in de war zijn geraakt, verhogen het risico van een elektrische schok.
- e. **Gebruik, wanneer u buitenshuis met elektrisch gereedschap werkt, alleen verlengsnoeren die zijn goedgekeurd voor gebruik buitenshuis.** Het gebruik van een verlengsnoer dat geschikt is voor buiten vermindert het risico van een elektrische schok.
- f. **Als u met elektrisch gereedschap werkt op een vochtige locatie, gebruik dan een aardlekschakelaar (RCD).**
Het gebruik van een aardlekschakelaar vermindert het risico van een elektrische schok.

3. Persoonlijke veiligheid

- a. **Blijf alert, let goed op wat u doet en ga met verstand te werk bij het gebruik van elektrische gereedschappen. Gebruik het gereedschap niet als u vermoeid bent of onder de invloed van drugs, alcohol of medicatie bent.** Een moment van onoplettendheid tijdens het werken met elektrisch gereedschap kan leiden tot ernstig persoonlijk letsel.
- b. **Draag persoonlijke beschermende uitrusting. Draag altijd oogbescherming.**

Beschermende uitrusting, zoals een stofmasker, antislip veiligheidsschoenen, een helm, of gehoorbescherming, gebruikt in de juiste omstandigheden, zal het risico op persoonlijk letsel verminderen.

- c. **Voorkom per ongeluk inschakelen. Controleer dat de schakelaar in de uit-stand staat voordat u het gereedschap aansluit op het stopcontact en/of de accu plaatst en voordat u het gereedschap optilt of gaat dragen.** Het dragen van elektrisch gereedschap met uw vinger op de schakelaar of het aanzetten van elektrisch gereedschap waarvan de schakelaar aan staat, kan leiden tot ongelukken.
 - d. **Verwijder instelgereedschap of schroefsleutels voordat u het gereedschap inschakelt.** Een steeksleutel of een inbussleutel in een draaiend deel van het gereedschap kan tot verwondingen leiden.
 - e. **Reik niet buiten uw macht. Blijf altijd stevig en in balans op de grond staan.** Dit geeft u betere controle over het elektrisch gereedschap in onverwachte situaties.
 - f. **Draag geschikte kleding. Draag geen loszittende kleding of sieraden. Houd uw haar, kleding en handschoenen uit de buurt van bewegende onderdelen.** Loszittende kleding, sieraden of lang haar kunnen door bewegende delen worden gegrepen.
 - g. **Als voorzieningen voor stofafzuiging of stofopvang kunnen worden gemonteerd, controleer dan dat deze zijn aangesloten en op de juiste wijze worden gebruikt.** Het gebruik van stofafzuiging kan aan stof gerelateerde gevaren verminderen.
4. **Gebruik en onderhoud van elektrisch gereedschap**
 - a. **Overbelast het elektrisch gereedschap niet. Gebruik het juiste elektrisch gereedschap voor uw toepassing.** Met het juiste elektrisch gereedschap kunt u de werkzaamheden waarvoor het gereedschap is ontworpen, beter en veiliger uitvoeren.
 - b. **Gebruik het elektrisch gereedschap niet als de schakelaar niet goed werkt.** Ieder gereedschap dat niet met de schakelaar kan worden bediend, is gevaarlijk en moet worden gerepareerd.
 - c. **Trek de stekker uit het stopcontact en/of de accu uit het elektrisch gereedschap voordat u het gereedschap instelt, toebehoren wisselt of het gereedschap opbergt.** Dergelijke preventieve veiligheidsmaatregelen verminderen het risico dat het elektrisch gereedschap per ongeluk wordt gestart.
 - d. **Bewaar elektrisch gereedschap dat niet wordt gebruikt, buiten bereik van kinderen. Laat niet personen die er niet vertrouwd mee zijn en deze aanwijzingen niet hebben gelezen, met het gereedschap werken.** Elektrisch gereedschap is gevaarlijk in handen van ongetrainde gebruikers.
 - e. **Onderhoud het gereedschap goed.**

Controleer of bewegende delen van het gereedschap wel goed functioneren en niet klemmen, en of er niet onderdelen zodanig zijn gebroken of beschadigd dat de werking van het gereedschap nadelig wordt beïnvloed. Laat het gereedschap voor gebruik repareren als het beschadigd is. Veel ongelukken worden veroorzaakt door slecht onderhouden elektrisch gereedschap.

- f. **Houd zaaggereedschap scherp en schoon.** Goed onderhouden zaaggereedschap met scherpe snijvlakken loopt minder snel vast en is gemakkelijker onder controle te houden.
 - g. **Gebruik elektrisch gereedschap, toebehoren, zaagjes en boortjes, enz., volgens deze aanwijzingen. Let daarbij op de arbeidsomstandigheden en de uit te voeren werkzaamheden.** Gebruik van het elektrisch gereedschap voor werkzaamheden die anders zijn dan bedoeld, kan leiden tot een gevaarlijke situatie.
5. **Gebruik en onderhoud van accugereedschap**
 - a. **Laad accu's alleen op met de door de fabrikant aanbevolen lader.** Een lader die geschikt is voor het ene type accu, kan een risico van brand doen ontstaan bij gebruik met een andere accu.
 - b. **Gebruik elektrisch gereedschap alleen in combinatie met specifiek vermelde accu's.** Het gebruik van andere accu's kan gevaar voor letsel en brand opleveren.
 - c. **Houd de accu, wanneer u deze niet gebruikt, weg bij andere metalen objecten zoals paperclips, munten, sleutels, spijkers, schroeven of andere kleine metalen voorwerpen die een verbinding tot stand kunnen brengen tussen de ene pool en de andere.** Als kortsluiting tussen de polen van de accu wordt gemaakt, kan dit tot brandwonden of brand leiden.
 - d. **Wanneer de accu slecht wordt behandeld, kan er vloeistof uit de accu spuiten, vermijd contact met deze vloeistof. Als er per ongeluk contact ontstaat, spoel dan met water. Als de vloeistof in de ogen komt, roep dan tevens medische hulp in.** Vloeistof uit de accu kan irritatie en brandwonden veroorzaken.
 6. **Service**
 - a. **Laat het gereedschap alleen repareren door gekwalificeerd en vakkundig personeel en alleen met originele vervangingsonderdelen.** De veiligheid van het gereedschap blijft dan gewaarborgd.

Aanvullende veiligheidswaarschuwingen voor elektrisch gereedschap



Waarschuwing! Aanvullende veiligheidswaarschuwingen voor heggenscharen

- ◆ **Houd lichaamsdelen uit de buurt van het snijblad. Verwijder geen gesneden materiaal en houd niets vast dat moet worden gesneden wanneer de bladen in beweging zijn. Zorg dat de schakelaar uit staat wanneer u vastgelopen materiaal verwijderd.** Een moment van onoplettendheid bij het gebruik van het gereedschap kan leiden tot ernstige verwondingen.
- ◆ **Houd de heggenschaar bij de handgreep vast terwijl het snijblad stilstaat. Plaats altijd de afdekkap over de heggenschaar wanneer u de heggenschaar vervoert of opbergt.** Wanneer de heggenschaar op de juiste manier wordt behandeld, verkleint u de kans op persoonlijk letsel door de snijbladen.
- ◆ **Houd het gereedschap alleen vast bij de geïsoleerde greepoppervlakken, omdat het snijblad met verborgen bedrading in aanraking kan komen.** Als een snoer onder spanning wordt geraakt met de snijbladen, komen onbedekte metalen onderdelen van het gereedschap onder spanning te staan en kunt u een elektrische schok krijgen.
- ◆ Het bedoeld gebruik wordt beschreven in deze gebruiksaanwijzing. Het gebruik van andere accessoires of hulpstukken, dan wel de uitvoering van andere handelingen met dit gereedschap dan in deze gebruikershandleiding worden aanbevolen, kan tot persoonlijk letsel en/of schade aan eigendom leiden.
- ◆ Draag het gereedschap niet bij de voorste handgreep, de schakelaar of de aan/uit-schakelaar, tenzij de accu is verwijderd.
- ◆ Heeft u nog nooit met een heggenschaar gewerkt, raadpleeg dan een ervaren gebruiker voor praktische informatie naast deze handleiding.
- ◆ Zorg ervoor dat u nooit de bladen aanraakt terwijl het apparaat in werking is.
- ◆ Probeer nooit de bladen met geweld tot stilstand te laten komen.
- ◆ Leg het apparaat pas neer wanneer de messen geheel tot stilstand zijn gekomen.
- ◆ Controleer de messen regelmatig op beschadigingen en slijtage. Het gereedschap mag niet worden gebruikt wanneer de messen beschadigd zijn.
- ◆ Zorg ervoor dat u tijdens het snoeien niet in de buurt komt van hard materiaal (zoals metalen snoeren, railings). Als u per ongeluk op dergelijk materiaal stuit, schakel het gereedschap dan onmiddellijk uit en controleer het op schade.
- ◆ Als het gereedschap op abnormale wijze gaat trillen, schakel het dan onmiddellijk uit en verwijder de accu voordat u het controleert op schade.
- ◆ Als het gereedschap vastloopt, moet u het onmiddellijk uitschakelen. Verwijder de oorzaak van het vastlopen, maar neem vooral eerst de accu uit het gereedschap.
- ◆ Schuif de bladschede na gebruik over de bladen.

Let er, wanneer u het gereedschap opbergt, vooral goed op dat het snijmes niet onbedekt is.

- ◆ Zorg er altijd voor dat alle beschermkappen zijn aangebracht wanneer het apparaat wordt gebruikt. Probeer nooit een incompleet apparaat te gebruiken of een apparaat waarop ongeoorloofde wijzigingen zijn aangebracht.
- ◆ Zorg ervoor dat kinderen het apparaat nooit gebruiken.
- ◆ Let op vallend afval wanneer de hogere gedeelten van een heg worden gesnoeid.
- ◆ Houd het apparaat altijd met beide handen aan de daartoe bestemde hendels vast.

Veiligheid van anderen

- ◆ Het is niet de bedoeling dat dit apparaat wordt gebruikt door personen (waaronder kinderen) met verminderde fysieke, zintuiglijke of psychische vermogens, of met een gebrek aan ervaring en kennis, tenzij onder toezicht van of met aanwijzingen over het gebruik van de machine door een persoon die verantwoordelijk is voor hun veiligheid.
- ◆ Houd toezicht op kinderen zodat zij niet met het apparaat kunnen spelen.

Overige risico's.

Er kunnen zich bij het gebruik van dit gereedschap nog meer risico's voordoen, die mogelijk niet in de bijgesloten veiligheidswaarschuwingen worden beschreven. Deze risico's kunnen zich voordoen door onoordeelkundig gebruik, langdurig gebruik, enz.

Zelfs wanneer de veiligheidsvoorschriften in acht worden genomen en de veiligheidsvoorzieningen worden gebruikt, kunnen bepaalde risico's niet worden uitgesloten. Dit zijn onder meer:

- ◆ Verwondingen die worden veroorzaakt door het aanraken van draaiende of bewegende onderdelen.
- ◆ Verwondingen die worden veroorzaakt bij het vervangen van onderdelen, messen of accessoires.
- ◆ Verwondingen die worden veroorzaakt door langdurig gebruik van gereedschap. Wanneer u langere periodes met de machine werkt, kunt u het beste regelmatig een pauze nemen.
- ◆ Gehoorbeschadiging.
- ◆ Gezondheidsrisico's door het inademen van stof dat vrijkomt tijdens het gebruik van uw gereedschap (bijvoorbeeld: het werken met hout, met name eiken, beuken en MDF.)

Trillingen

De aangegeven waarden voor trillingsemisatie in de technische gegevens en de conformiteitsverklaring zijn gemeten conform een standaardtestmethode die door EN 60745 wordt geboden. Hiermee kan het ene gereedschap met het andere worden vergeleken.

De aangegeven waarde voor trillingsemissie kan ook worden gebruikt bij een voorlopige bepaling van blootstelling.

Waarschuwing! De waarde voor trillingsemissie tijdens het werkelijke gebruik van het gereedschap kan verschillen van de aangegeven waarde afhankelijk van de manieren waarop het gereedschap wordt gebruikt. Het trillingsniveau kan toenemen tot boven het aangegeven niveau.

Bij beoordeling van de blootstelling aan trillingen met het doel vast te stellen welke veiligheidsmaatregelen 2002/44/EG vereist ter bescherming van personen die tijdens hun werk regelmatig elektrisch gereedschap gebruiken, moet bij een inschatting van de blootstelling aan trillingen rekening worden gehouden met de werkelijke gebruiksomstandigheden en de manier waarop het gereedschap wordt gebruikt. Daarbij moet ook rekening worden gehouden met alle onderdelen van de bedrijfscyclus, zoals wanneer het gereedschap wordt uitgeschakeld en wanneer het gereedschap stationair loopt en ook de aanlooptijd.

Etiketten op het gereedschap

Naast de datumcode is het gereedschap voorzien van de volgende symbolen:



Waarschuwing! De gebruiker moet de instructiehandleiding lezen zodat het risico van letsel wordt beperkt.



Draag een veiligheidsbril of een stofbril als u deze machine gebruikt.



Draag gehoorbeschermers als u dit gereedschap gebruikt.



Het gereedschap mag niet aan regen of hoge vochtigheid worden blootgesteld.



Richtlijn 2000/14/EG gegarandeerd geluidsvermogen.

Aanvullende veiligheidsinstructies voor accu's en laders

Accu's

- ◆ Probeer nooit om welke reden dan ook de accu open te maken.
- ◆ Stel de accu niet bloot aan water.
- ◆ Bewaar de accu niet op locaties waar de temperatuur kan stijgen tot boven 40 °C.

- ◆ Laad de accu uitsluitend op bij een omgevingstemperatuur tussen 10 °C en 40 °C.
- ◆ Gebruik alleen de lader die bij het gereedschap is geleverd.
- ◆ Gooi lege accu's weg volgens de instructies in het gedeelte "Het milieu beschermen".



Probeer niet beschadigde accu's op te laden.

Laders

- ◆ Gebruik de lader van BLACK+DECKER alleen voor de accu's in het gereedschap waarbij de lader is bijgeleverd. Andere accu's kunnen barsten, met letsel en materiële schade tot gevolg.
- ◆ Probeer nooit niet-oplaadbare accu's op te laden.
- ◆ Laat een defect snoer direct vervangen.
- ◆ Stel de lader niet bloot aan water.
- ◆ Open de lader niet.
- ◆ Steek nooit een voorwerp in de lader.



De lader is uitsluitend bestemd voor gebruik binnenshuis.



Lees de instructiehandleiding voordat u de lader in gebruik neemt.

Belangrijk: De 54V-accu BL1554 & BL2554 mag alleen worden opgeladen met de volgende laders: 90589867, 90621477, 90590287-01, 90590289-01, 90602042-01, 90590287-02, 90590289-02, 90599854-02, 90599854-06, 90599853-05, 90634971, 90634972, 90634973, 90642266, 90642264, 90642265, BDC2A

Elektrische veiligheid



De lader is dubbel geïsoleerd, en daarom is een aardedraad niet nodig. Controleer altijd dat de netspanning overeenkomt met de waarde op het typeplaatje. Probeer nooit de lader te voorzien van een normale netstekker.

- ◆ Als het netsnoer is beschadigd, moet het worden vervangen door de fabrikant of een BLACK+DECKER-servicecentrum zodat gevaarlijke situaties worden voorkomen.

Functies

Dit gereedschap is voorzien van enkele of alle van de volgende functies.

1. Aan/uit-schakelaar
2. Schakelaar voor vergrendeling in de Uit-stand
3. Handgreep

4. Knop POWERCOMMAND
5. Maaibladbeschermkap
6. Hendel voor in-/uitschakelen
7. Blad
8. Zaagblad
9. Zaagbladschoen
10. Dualvolt accu (Alleen bij model GTC5455PC)
11. Dualvolt paneel (Alleen bij model GTC5455PC)
12. Lader (Alleen bij model GTC5455PC)

Montage

Waarschuwing! Neem voor de montage de accu uit het gereedschap en plaats de beschermkap over de bladen.

Waarschuwing! Zorg ervoor dat het apparaat is uitgeschakeld en van de netspanning verwijderd is en dat de bladschede om de snijbladen is geplaatst voordat het apparaat in elkaar wordt gezet.

Waarschuwing! Gebruik het apparaat nooit zonder de beschermkap.

Laadprocedure

BLACK+DECKER-laders zijn ontworpen voor het laden van BLACK+DECKER-accu's.

- ◆ Steek de lader (12) in een geschikt stopcontact voordat de accu plaatst.
- ◆ Plaats de accu in de lader, zoals wordt getoond in afbeelding A.
- ◆ Het groene oplaadlampje (12a) gaat knipperen ten teken dat de accu wordt opgeladen.
- ◆ Wanneer de accu geheel is opgeladen, blijft het groene lampje (12a) ononderbroken branden. De accu is volledig opgeladen en kan worden gebruikt of in de lader blijven zitten.

Opmerking: Laad accu's die leeg zijn zo spoedig mogelijk na gebruik op, omdat anders de levensduur van de accu mogelijk ernstig wordt bekort. Accu's hebben de langste levensduur wanneer u ze niet volledig ontladent. Aangeraden wordt de accu's na elk gebruik op te laden.

De accu in de lader laten zitten

U kunt de accu (11) voor onbepaalde tijd in de lader (12) laten zitten terwijl het LED-lampje brandt. De lader houdt de accu volledig opgeladen.

Belangrijke opmerkingen over opladen

- ◆ De langste levensduur en de beste prestaties kunnen worden behaald als de accu wordt opgeladen wanneer de luchttemperatuur is tussen 18° en 24 °C. LAAD de accu NIET op bij een temperatuur lager dan +4,5°C of hoger dan +40,5°C. Dit is belangrijk en zal ernstige beschadiging van de accu voorkomen.
- ◆ De lader en de accu's zullen tijdens het laden misschien bij aanraking warm aanvoelen.

Dit is niet ongevoel en wijst niet op een probleem. Plaats de accu en de lader na gebruik niet in een warme omgeving, zoals een metalen schuur of een niet-geïsoleerde aanhangwagen, laat ze op een koele plaats afkoelen.

- ◆ Als de accu niet goed wordt opgeladen:
 - ◆ Controleer de spanning op het stopcontact door een lamp of apparaat aan te sluiten.
 - ◆ Controleer of er op het stopcontact misschien verlichting is aangesloten en het stopcontact stroomloos wordt wanneer u de verlichting uitschakelt.
 - ◆ Breng de lader en de accu naar een plaats waar de lucht/omgevingstemperatuur ongeveer 18°- 24 °C is.
 - ◆ Breng, als de problemen met het opladen aanhouden, het gereedschap, de accu en de lader naar het servicecentrum bij u in de buurt.
- ◆ De accu moet worden opgeladen wanneer de accu niet voldoende vermogen levert voor werkzaamheden die eerder zonder veel moeite werden uitgevoerd. WERK NIET LANGER MET HET GEREEDSCHAP onder deze condities. Volg de laadprocedure. U kunt ook een accu die u al hebt gebruikt opladen, wanneer u dat maar wilt, zonder nadelige gevolgen voor de accu.
- ◆ Bepaalde materialen die geleidend zijn, zoals, maar niet uitsluitend, staalwol, aluminiumfolie of een opeenhoping van metaalachtige deeltjes, kunnen beter bij de holtes van de lader worden weggehouden. Trek altijd de stekker uit het stopcontact wanneer er geen accu in de uitsparing van de lader zit. Trek de stekker van de lader uit het stopcontact voordat u de lader gaat reinigen.
- ◆ Laat de lader niet bevriezen en dompel de lader niet onder in water of andere vloeistoffen.

Waarschuwing! Laat geen vloeistof in de lader dringen.

Probeer nooit om welke reden dan ook de accu te openen. Als de kunststof behuizing van de accu breekt of scheurt, breng de accu dan naar een servicecentrum waar deze kan worden gerecycled.

Laadniveau-indicator (Afb. B)

De accu is voorzien van een laadniveau-indicator.

Hiermee kan het actuele laadniveau in de accu tijdens gebruik en tijdens laden worden weergegeven. De indicator geeft geen aanduiding van de functionaliteit van het gereedschap en is voor de werking afhankelijk van componenten en temperatuur van het product en de toepassing door de eind-gebruiker.

Laadniveau controleren tijdens gebruik

- ◆ Druk op de knop van de laadniveau-indicator (B1).
- ◆ De drie LED-lampjes (B2) gaan branden en geven het percentage van de lading van de accu aan. Zie het schema in afbeelding B.
- ◆ Als er geen LED-lampje brandt, moet u de accu opladen.

Diagnosefuncties van de lader (Afb. E)

Zie de indicatoren in afbeelding E voor de laadstatus van de accu.

Slechte accu

Ziet u het lampje in dit patroon van een slechte accu knippen, ga dan niet door met het opladen van de accu. Breng de accu terug naar het servicecentrum of naar een inzamelpunt waar de accu kan worden gerecycled.

Hot/Cold Pack Delay (Vertraging Hete/Koude Accu)

Wanneer de lader detecteert dat een accu te heet of te koud is, start de lader automatisch een Hot/Cold Pack Delay, en wordt het laden uitgesteld tot de accu een geschikte temperatuur heeft bereikt. Dan schakelt de lader automatisch over op de stand voor het laden.

Deze functie waarborgt een maximale levensduur van de accu. Een koude accu zal minder snel opladen dan een warme accu. De accu zal minder snel opladen gedurende de gehele laadcyclus en zal niet op maximale snelheid opladen, ook niet als de accu warmer wordt.

De accu in het apparaat plaatsen en eruitnemen

Waarschuwing! Controleer dat de vergrendelingsknop voor de Uit-stand is ingeschakeld ter voorkoming van inschakeling, voordat u de accu uitneemt of plaatst.

De accu plaatsen (Afb. C)

- ◆ Steek de accu (10) in het gereedschap en duw tot u een klik hoort (Afbeelding C).
- ◆ Controleer dat de accu geheel op z'n plaats zit en goed is vergrendeld.

De accu uitnemen (Afb. D)

- ◆ Druk op de accuvrijgaveknop (10a) zoals wordt getoond in Afbeelding D en trek de accu (10) uit het gereedschap.

Dualvolt 54V-accu (Afb F.)

De Dualvolt 54V accu kan worden gebruikt in snoerloos gereedschap van 54V & 18V van Black+Decker. De accu kan herkennen in welk gereedschap de accu is geplaatst en werkt op het juiste vermogen, waarbij 18V-gereedschap langer werkt. Er is een knop (11) voor de laadstatus, die de laadstatus aangeeft bij zowel 54V als 18V

Bediening

- ◆ Duw, als u het gereedschap wilt inschakelen, de Vergrendelingsknop Uit-stand (2) omlaag, knijp de Aan/Uit-schakelaar (1) in en druk de handgreep met de dubbele schakelaar (6) omlaag, zoals wordt getoond in afbeelding G. Wanneer het gereedschap eenmaal loopt, kunt u de Vergrendelingsknop Uit-stand loslaten.

Het gereedschap blijft alleen lopen als u de Aan/Uit-schakelaar ingeknepen houdt.

Waarschuwing! Probeer nooit een schakelaar in de ingeschakelde stand te vergrendelen.

Instructies voor het trimmen

- ◆ Blijf altijd stevig op uw voeten en in evenwicht staan en reik niet buiten uw macht. Draag tijdens het knippen een veiligheidsbril en antislip-schoeisel. Houd het gereedschap stevig met beide handen vast en schakel het in (ON). Houd de heggenschaar altijd vast met één hand op de handgreep met de schakelaar, zoals in de afbeeldingen in de handleiding wordt getoond, en met één hand op de andere handgreep (afbeelding G). Houd het gereedschap nooit vast aan de beschermkap.

Nieuwe aangroei knippen (Afb. H)

- ◆ Het meest effectief is maaien met een brede zwaaiende beweging, waarbij u de tanden van het maaiblad door de aangroei haalt. Een lichte neerwaartse kanteling van het maaiblad, in de richting van de maaibeweging geeft het beste resultaat.

Waarschuwing! Maai geen takken die dikker zijn dan 19 mm. Maai met de schaar uitsluitend de gewone heggen die rond huizen en gebouwen staan.

Strakke heggen (Afb. I)

- ◆ U kunt uitzonderlijk strakke heggen krijgen door te maaien langs een stuk draad dat u als leidraad over de gehele lengte van de heg spant.

De zijanten van heggen knippen (Afb. J)

- ◆ Houd de schaar zoals wordt getoond en begin onderaan met een zwaaibeweging omhoog.

POWERCOMMAND (Afb. K)

Loopt de schaar vast, druk dan op de knop POWERCOMMAND (4), die in afbeelding K wordt getoond. De maaibladen bewegen zich dan naar voren en naar achteren, in een krachtiger ritme zodat de moeilijke takken beter kunnen worden geknipt. Laat de knop los en de schaar keert terug in de normale stand voor het knippen van heggen.

Opmerking: Zodra u de knop loslaten, werken de maaibladen weer op volle snelheid.

Opmerking: De maaibladen stoppen wanneer u de knop 15 ingedrukt houdt. U kunt de functie POWERCOMMAND weer inschakelen door de knop los te laten en weer in te drukken. Houd de knop POWERCOMMAND NIET aldoor ingedrukt wanneer u gewoon de heg knipt.

Zaagblad (Afb. L)

Gebruik voor takken die te groot zijn voor het maaiblad (7) het zaagblad (8).

Plaats het zaagblad zo dicht mogelijk aan de onderzijde van de tak. Plaats de zaagbladschoen (9) tegen de tak. Draai de heggenschaar zoals hierboven wordt beschreven, laat het gereedschap op zijn eigen snelheid de tak geheel doorzagen.

Onderhoud

Uw BLACK+DECKER-machine/-gereedschap (met netsnoer/snoerloos) is ontworpen om gedurende langere tijd te functioneren met een minimum aan onderhoud. Het continu naar tevredenheid functioneren hangt af van de juiste zorg voor het gereedschap en regelmatig schoonmaken.

Waarschuwing! Ga altijd als volgt te werk voor u onderhoud aan het gereedschap (met snoer/snoerloos) uitvoert:

- ◆ Schakel de machine/het apparaat uit en neem de veiligheidsleutel en de accu uit.
- ◆ Of schakel de machine/het gereedschap uit en neem de accu uit, als de machine/het gereedschap een aparte accu heeft.
- ◆ Of maak de accu helemaal leeg, als de accu is ingebouwd en schakel de machine uit.
- ◆ Neem de lader uit het stopcontact voordat u deze schoonmaakt. Behalve regelmatige reiniging vraagt de lader geen onderhoud.
- ◆ Reinig regelmatig de ventilatieopeningen van het gereedschap/apparaat/lader met een zachte borstel of droge doek.
- ◆ Reinig de behuizing van de motor regelmatig met een vochtige doek. Gebruik niet een schurend schoonmaakmiddel of een schoonmaakmiddel op basis van een oplosmiddel.
- ◆ Maak de bladen na gebruik zorgvuldig schoon. Breng na reiniging een dunne laag lichte machineolie aan zodat de bladen niet gaan roesten.

De maaibladen zijn vervaardigd van hoogwaardig, gehard staal en bij normaal gebruik zullen zij niet hoeven te worden geslepen. Maar als u per ongeluk een afrastering, stenen, glas of andere harde voorwerpen raakt, kan er een braam op het maaiblad komen.

Deze braam hoeft niet te worden verwijderd als hij geen gevolgen heeft voor de beweging van het maaiblad. Als dat wel zo is, neem dan de accu uit en verwijder de braam met een fijne vijl of een slijpsteen.

Inspecteer de schaar op beschadiging wanneer u het gereedschap hebt laten vallen. Als het maaiblad is verbogen, de behuizing is gescheurd, of er zijn handgrepen afgebroken, of u ziet iets anders dan van invloed kan zijn op de werking van de schaar, neem dan contact op met het BLACK+DECKER-servicecentrum voor reparatie, voordat u het gereedschap weer in gebruik neemt. Meststoffen en andere tuinchemicaliën bevatten stoffen die de roestvorming van metalen sterk versnellen. Berg het gereedschap niet op op of bij kunstmest of chemicaliën.

Maak het gereedschap schoon met alleen een milde zeepoplossing en een vochtige doek, nadat u de accu heeft uitgenomen. Laat nooit vloeistof in het gereedschap dringen en dompel de onderdelen van het gereedschap nooit onder in vloeistof. Voorkom dat de maaibladen gaan roesten, breng een dunne laag machine-olie aan na het schoonmaken.

Netstekker vervangen (alleen UK en Ierland)

Als er een nieuwe netstekker moet worden gemonteerd:

- ◆ Gooi de oude stekker op verantwoorde wijze weg.
- ◆ Verbind de bruine draad met de spannings-/fasepool in de nieuwe stekker.
- ◆ Verbind de blauwe draad met de nul-/neutraalpool.

Waarschuwing! Er moet geen verbinding tot stand worden gebracht met de aardeaansluiting. Volg de bevestigingsinstructies die bij stekkers van goede kwaliteit worden geleverd. Aanbevolen zekering: 5 A.

Problemen oplossen		
Probleem	Mogelijke oorzaak	Mogelijke oplossing
Maaibladen die langzaam lopen, lawaai maken of heet worden.	Droge, verroeste maaibladen.	Smeer de bladen.
	Maaiblad of steun doorgebogen.	Maak maaiblad of steun recht.
	Verbogen of beschadigde tanden.	Rechte tanden.
	Losse bouten van het zaagblad.	Zet de bouten van het zaagblad vast.
Gereedschap start niet.	De accu is niet goed geplaast.	Controleer de manier waarop de accu is geplaast.
	Accu is niet opgeladen.	Controleer wat nodig is voor het laden van de accu.
	Vergrendeling Uit niet goed bediend.	Controleer dat u de Vergrendeling Uit wel geheel hebt ingedrukt voordat u de Aan/Uit-schakelaar hebt omgezet.
Accu laadt niet op	De accu is niet in de lader geplaast.	Plaats de accu in de lader en wacht tot het groene lampje gaat branden. Laad de accu tot wel 8 uur op als de accu geheel leeg is.
	De lader is niet aangesloten.	Sluit de lader aan op een stopcontact. Raadpleeg "Belangrijke opmerkingen over laden" voor meer informatie. Controleer de spanning door een lamp of ander apparaat op het stopcontact aan te sluiten. Controleer of het stopcontact wordt onderbroken door een schakelaar, die het licht uitschakelt en het stopcontact stroomloos maakt.
	De omgevingstemperatuur is te hoog of te laag.	Verplaats de lader en het gereedschap naar een locatie waar de luchttemperatuur hoger is dan 4,5 °C en lager is dan +40,5 °C.

Het milieu beschermen



Gescheiden afvalinzameling. Producten en accu's die zijn voorzien van dit symbool mogen niet bij het normale huishoudafval worden weggegooid.

Producten en accu's bevatten materialen die kunnen worden teruggewonnen of gerecycled en dat doet de vraag naar grondstoffen afnemen. Recycle elektrische producten en accu's volgens de ter plaatse geldende voorschriften.

2000/14/EG, Heggenschaar 1300min-1, bijlage V

Gemeten geluidsvermogen (L_{WA}) 92,5 dB(A)
 Meetonzekerheid (K) 2,5 dB(A)
 Gegarandeerd geluidsvermogen (L_{WA}) 92,5 dB(A)

Technische gegevens

		GTC5455PC	GTC5455PCB
Spanning	V_{DC}	54	54
Maaibladslagen (onbelast)	min^{-1}	2600	2600
Bladlengte	cm	60	60
Bladholte	mm	19	19
Gewicht	kg	3,83	2,775
Accu		BL2554	Kale unit (geen accu)
Spanning	V_{DC}	54	
Capaciteit	Ah	1,5	
Type		Li-Ion	
Lader		BDC2A	Kale unit (geen lader)
Ingangsspanning	V_{AC}	220 - 230	
Uitgangsspanning	V_{DC}	2000mA	
Laadstroom	mA	2000	
Oplaatijd ca.	uur	2,75	

Geluidsdrukkniveau, volgens EN 60745:

Geluidsdruk: (L_{pA}) 78 dB(A), meetonzekerheid (K) 3 dB(A)

Geluidsvermogen: GTC18504PC (L_{WA}) 92,5 dB(A) onzekerheid (K) 2,5 dB(A)

Totale trillingswaarden (som triaxvector) volgens EN 60745:

Waarde trillingsemmissie: GTC18504PC (a_{rv}) 2,7 m/s^2 , onzekerheid (K) 1,5 m/s^2

EG conformiteitsverklaring

RICHTLIJN VOOR MACHINES
 RICHTLIJN VOOR GELUID BUITENSHUIS



GTC5455PC, GTC5455PCB Heggenschaar

Black & Decker verklaart dat deze producten, die zijn beschreven onder 'Technische gegevens', voldoen aan:
 2006/42/EC, EN 60745-1:2009 + A11:2010, EN 60745-2-15:2009 +A1:2010

Deze producten voldoen tevens aan richtlijn 2004/108/EG en 2011/65/EU. Neem voor meer informatie contact op met Black & Decker op het volgende adres of raadpleeg de achterzijde van de handleiding.

Ondergetekende is verantwoordelijk voor de samenstelling van het technische bestand en legt deze verklaring af namens Black & Decker.

Ray Laverick
 Director of Engineering
 Black & Decker Europe, 210 Bath Road, Slough,
 Berkshire, SL1 3YD
 Verenigd Koninkrijk
 23-9-2016

Garantie

Black & Decker heeft vertrouwen in zijn producten en biedt consumenten een garantie van 24 maanden vanaf de aankoopdatum. Deze garantie vormt een aanvulling op uw wettelijke rechten en beperken deze niet. De garantie is geldig op het grondgebied van de Lidstaten van de Europese Unie en de Europese Vrijhandelszone.

Voor een garantie-aanspraak moet uw aanspraak in overeenstemming zijn met de Voorwaarden en Conditie van Black&Decker en moet u een bewijs van aankoop overleggen aan de verkoper of aan een geautoriseerde reparatiemonteur. Voorwaarden en condities van de 2-jarige garantie van Black&Decker en het adres van de vestiging van het geautoriseerde reparatiecentrum bij u in de buurt, kunt u vinden op internet op www.2helpU.com, of door contact op te nemen met het Black & Decker-kantoor ter plaatse, op het adres dat in deze handleiding wordt vermeld.

Bezoek onze website www.blackanddecker.nl, waar u uw nieuwe Black & Decker-product kunt registreren en informatie kunt verkrijgen over nieuwe producten en speciale aanbiedingen.

Uso previsto

Los cortasetos GTC5455PC y GTC5455PCB de BLACK+DECKER™ han sido diseñados para cortar setos, arbustos y zarzas. Estas herramientas ha sido concebidas únicamente para uso doméstico.

Instrucciones de seguridad

Advertencias de seguridad generales para herramientas eléctricas



Advertencia. Lea todas las advertencias de seguridad y todas las instrucciones. En caso de no atenerse a las siguientes advertencias e instrucciones de seguridad, podría producirse una descarga eléctrica, incendio o lesión grave.

Guarde todas las advertencias e instrucciones para futuras consultas. El término "herramienta eléctrica" que aparece en las advertencias se refiere a la herramienta eléctrica que funciona a través de la red eléctrica (con cable) o a la herramienta eléctrica que funciona con batería (sin cable).

1. Seguridad del área de trabajo

- a. **Mantenga limpia y bien iluminada el área de trabajo.** Las áreas en desorden u oscuras pueden provocar accidentes.
- b. **No utilice herramientas eléctricas en entornos con peligro de explosión, como aquellos en los que haya líquidos, gases o material en polvo inflamables.** Las herramientas eléctricas originan chispas que pueden inflamar el polvo o los gases.
- c. **Mantenga alejados a los niños y a otras personas del área de trabajo al emplear la herramienta eléctrica.** Las distracciones pueden ocasionar que pierda el control.


2. Seguridad eléctrica

- a. **El enchufe de la herramienta eléctrica debe corresponder a la toma de corriente utilizada. No modifique nunca el enchufe de ninguna forma. No utilice ningún enchufe adaptador con las herramientas eléctricas conectadas a tierra.** Los enchufes no modificados y las tomas de corriente correspondientes reducirán el riesgo de descarga eléctrica.
- b. **Evite que su cuerpo toque partes conectadas a tierra como tuberías, radiadores, cocinas y refrigeradores.** Existe un mayor riesgo de descarga eléctrica si su propio cuerpo está conectado a tierra.
- c. **No exponga las herramientas eléctricas a la lluvia y evite que penetren líquidos en su interior.** Si entra agua a una herramienta eléctrica aumentará el riesgo de descarga eléctrica.

- d. **Cuide el cable de alimentación. No use nunca el cable para transportar, tirar de la herramienta eléctrica o desenchufarla. Mantenga el cable alejado del calor, aceite, bordes afilados y piezas en movimiento.** Los cables dañados o enredados aumentan el riesgo de descarga eléctrica.
- e. **Al trabajar con la herramienta eléctrica en la intemperie utilice solamente cables de prolongación homologados para su uso en exteriores.** La utilización de un cable adecuado para el uso en exteriores reduce el riesgo de descarga eléctrica.
- f. **Si la utilización de una herramienta eléctrica en un lugar húmedo es inevitable, utilice una fuente protegida con un dispositivo diferencial residual (DDR).** El uso de un dispositivo diferencial residual reduce el riesgo de descarga eléctrica.

3. Seguridad personal

- a. **Esté atento a lo que hace y emplee la herramienta eléctrica con prudencia. No maneje una herramienta eléctrica cuando esté cansado o bajo los efectos de drogas, medicamentos o alcohol.** Un momento de falta de atención cuando se manejan las herramientas eléctricas puede ocasionar lesiones personales graves.
- b. **Utilice un equipo de protección personal. Utilice siempre protección ocular.** El uso del equipo protector como mascarillas antipolvo, calzado antideslizante, casco o protección auditiva para condiciones apropiadas reducirá las lesiones personales.
- c. **Evite que la herramienta se ponga en marcha accidentalmente. Asegúrese de que el interruptor se encuentre en la posición de apagado antes de conectar la herramienta a la fuente de alimentación o a la batería, o de coger o transportar la herramienta.** Transportar herramientas eléctricas con el dedo puesto en el interruptor o herramientas eléctricas activadoras que tengan el interruptor encendido puede provocar accidentes.
- d. **Retire las herramientas de ajuste o llaves fijas antes de conectar la herramienta eléctrica.** Dejar una llave inglesa u otra llave puesta en una pieza en movimiento de la herramienta eléctrica puede ocasionar lesiones personales.
- e. **Sea precavido. Mantenga un equilibrio adecuado y la estabilidad constantemente.** Esto permite un mejor control de la herramienta eléctrica en situaciones inesperadas.
- f. **Lleve puesta una vestimenta de trabajo adecuada. No se ponga ropa suelta o joyas. Mantenga el cabello, la ropa y los guantes alejados de las piezas en movimiento.** La ropa suelta, las joyas y el pelo largo pueden quedar atrapados en las piezas en movimiento.

- g. Siempre que sea posible utilizar unos equipos de aspiración o captación de polvo, asegúrese de que estén montados y se utilicen correctamente.** El uso de equipo de recogida de polvo puede reducir los riesgos relacionados con el polvo.
- 4. Uso y cuidado de herramientas eléctricas**
- a. No sobrecargue la herramienta eléctrica. Use la herramienta eléctrica correcta para su trabajo.** La herramienta eléctrica correcta funcionará mejor y con mayor seguridad si se utiliza de acuerdo con sus características técnicas.
- b. No utilice herramientas eléctricas con un interruptor defectuoso.** Toda herramienta eléctrica que no pueda controlarse con el interruptor es peligrosa y debe ser reparada.
- c. Desconecte el enchufe de la herramienta eléctrica de la fuente de alimentación y la batería antes de realizar cualquier ajuste, cambiar accesorios o guardar la herramienta.** Dichas medidas de seguridad preventivas reducen el riesgo de poner en marcha accidentalmente la herramienta eléctrica.
- d. Guarde las herramientas eléctricas fuera del alcance de los niños y de las personas que no estén familiarizadas con su uso.** Las herramientas eléctricas son peligrosas en manos de personas no capacitadas.
- e. Realice el mantenimiento de sus herramientas eléctricas. Controle si funcionan correctamente, sin atascarse, las partes móviles de la herramienta eléctrica, y si existen partes rotas o deterioradas que pudieran afectar al funcionamiento de la herramienta. Si la herramienta eléctrica está dañada, llévela para que sea reparada antes de utilizarla.** Se ocasionan muchos accidentes por el mal mantenimiento de las herramientas eléctricas.
- f. Mantenga las herramientas de corte limpias y afiladas.** Hay menos probabilidad de que las herramientas de cortar con bordes afilados se bloqueen, y son más fáciles de controlar.
- g. Utilice la herramienta eléctrica, los accesorios, los útiles de la herramienta, etc. de acuerdo con estas instrucciones, y tenga en cuenta las condiciones de trabajo y la tarea que se va a realizar.** El uso de la herramienta eléctrica para operaciones que no sean las previstas puede ocasionar una situación peligrosa.
- 5. Uso y cuidado de la herramienta de baterías**
- a. Recárguela sólo con el cargador especificado por el fabricante.** Un cargador adecuado para un tipo de paquete de baterías puede provocar riesgos de incendio al ser utilizado con otro paquete de baterías.
- b. Utilice las herramientas eléctricas solamente con las baterías recomendadas.**
- El uso de otras baterías puede suponer un riesgo de incendio y lesiones.
- c. Cuando no utilice la batería, manténgala alejada de objetos de metal como clips para papel, monedas, llaves, clavos, tornillos y otros pequeños objetos metálicos que pueden realizar una conexión de un terminal a otro.** Si se produce un cortocircuito entre los terminales de la batería, pueden ocasionarse incendios o quemaduras.
- d. En caso de uso abusivo puede salir líquido de la batería, evite el contacto. Si se produce un contacto accidental, lave con agua. Si el líquido se pone en contacto con los ojos, acuda además a un médico.** El líquido expulsado de la batería podrá provocar irritaciones o quemaduras.
- 6. Reparaciones**
- a. Esta herramienta eléctrica puede ser reparada solo por personal técnico autorizado que emplee exclusivamente piezas de repuesto originales.** Así se asegurará que se mantenga la seguridad de la herramienta eléctrica.
- Advertencias de seguridad adicionales para herramientas eléctricas**
-  Advertencia. Advertencias de seguridad adicionales para cortasetos
- ◆ **Mantenga todas las partes del cuerpo alejadas de la hoja de corte. No retire el material de corte ni sujete el material que va a cortar mientras las cuchillas se encuentran en movimiento. Asegúrese de que el interruptor esté apagado cuando se disponga a retirar material atascado.** Cualquier distracción durante el uso de la herramienta, por pequeña que sea, puede provocar graves lesiones.
 - ◆ **Transporte el cortasetos por la empuñadura con la hoja de corte detenida. Cuando transporte o guarde el cortasetos, coloque siempre la cubierta del dispositivo de corte.** La correcta manipulación del cortasetos reducirá las posibles lesiones personales ocasionadas por las cuchillas de corte.
 - ◆ **Sujete la herramienta eléctrica únicamente por la superficie de agarre aislada, ya que la hoja de corte podría entrar en contacto con algún cableado oculto.** Si las cuchillas de corte entran en contacto con un cable conectado a la red eléctrica, podrían provocar que las partes metálicas de la herramienta eléctrica transmitieran esa electricidad y produjeran una descarga al usuario.

- ◆ En este manual se describe el uso previsto. La utilización de accesorios o la realización de operaciones con esta herramienta distintas de las recomendadas en este manual de instrucciones puede implicar un riesgo de lesiones y/o daños materiales.
- ◆ No transporte la herramienta sujetándola por la empuñadura frontal o el interruptor de encendido, salvo que se haya extraído la batería.
- ◆ Si no ha utilizado nunca un cortasetos, se recomienda solicitar instrucciones prácticas a un usuario experimentado además de leer detenidamente este manual.
- ◆ Nunca toque las hojas mientras la herramienta esté en funcionamiento.
- ◆ Nunca intente forzar las hojas para que se detengan.
- ◆ No deje la herramienta hasta que las hojas se detengan por completo.
- ◆ Compruebe con regularidad que las hojas no estén dañadas o gastadas. No utilice la herramienta si las cuchillas están dañadas.
- ◆ Procure evitar los objetos duros (por ejemplo, alambres o verjas) durante las operaciones de corte. Si golpea algún objeto de estas características de forma accidental, apague de inmediato la herramienta y compruebe si ha ocasionado algún daño.
- ◆ Si la herramienta comienza a vibrar de manera anormal, apáguela de inmediato, extraiga la batería y, a continuación, compruebe si ha sufrido algún daño.
- ◆ Si la herramienta se para, apáguela inmediatamente. Antes de intentar desatascar la herramienta, extraiga la batería.
- ◆ Después de utilizar la herramienta, coloque la vaina de la hoja suministrada sobre las hojas. Cuando guarde la herramienta, asegúrese de que la cuchilla no quede descubierta.
- ◆ Asegúrese siempre de que todos los protectores estén colocados cuando utilice la herramienta. Nunca intente utilizar una herramienta que no esté completamente montada o una herramienta con modificaciones no autorizadas.
- ◆ Nunca permita que los niños utilicen la herramienta.
- ◆ Tenga precaución con los restos que caen al cortar las partes altas de un seto.
- ◆ Sujete siempre la herramienta con ambas manos por las empuñaduras suministradas a tal efecto.

Seguridad de otras personas

- ◆ Este aparato no está destinado al uso por parte de personas (incluyendo los niños) con capacidades físicas, sensoriales o mentales reducidas, o que carezcan de experiencia o del conocimiento necesario, a menos que estén supervisadas o reciban las instrucciones relativas al uso del aparato por una persona encargada de su seguridad.

- ◆ Los niños deben vigilarse en todo momento para garantizar que el aparato no se tome como elemento de juego.

Riesgos residuales.

El uso de esta herramienta puede producir riesgos residuales adicionales no incluidos en las advertencias de seguridad adjuntas. Estos riesgos se pueden generar por un uso incorrecto, demasiado prolongado, etc.

El cumplimiento de las normas de seguridad correspondientes y el uso de dispositivos de seguridad no evitan ciertos riesgos residuales. Dichos riesgos incluyen:

- ◆ Lesiones producidas por el contacto con piezas móviles o giratorias.
- ◆ Lesiones producidas al cambiar cualquier pieza, hoja o accesorio.
- ◆ Lesiones producidas al usar una herramienta por un tiempo demasiado prolongado. Si utiliza una herramienta durante períodos de tiempo demasiado prolongados, asegúrese de realizar pausas con frecuencia.
- ◆ Deterioro auditivo.
- ◆ Riesgos para la salud causados por la respiración del polvo generado por el uso de la herramienta (por ejemplo, al trabajar con madera, especialmente roble, haya, tablero semiduro de fibras).

Vibración

Los valores de emisión de vibraciones declarados en el apartado de características técnicas y en la declaración de conformidad se han calculado según un método de prueba estándar proporcionado por la norma EN 60745 y podrán utilizarse para comparar una herramienta con otra. El valor de emisión de vibraciones especificado también puede utilizarse en una evaluación preliminar de la exposición.

Advertencia. El valor de emisión de vibraciones durante el funcionamiento real de la herramienta eléctrica puede diferir del valor declarado en función de cómo se utilice dicha herramienta. El nivel de las vibraciones puede aumentar por encima del nivel declarado.

Al evaluar la exposición a las vibraciones con el fin de determinar las medidas de seguridad que exige la directiva 2002/44/CE para proteger a las personas que utilizan periódicamente herramientas eléctricas en el entorno laboral, deberá tenerse en cuenta una estimación de la exposición a las vibraciones, las condiciones de uso reales y el modo de empleo de la herramienta, así como los pasos del ciclo operativo como, por ejemplo, el número de veces que la herramienta se apaga, el tiempo que está parada y el tiempo de activación.

Etiquetas en la herramienta

Junto con el código de la fecha, en la herramienta aparecen los siguientes pictogramas:



Advertencia. Para reducir el riesgo de lesiones, el usuario debe leer el manual de instrucciones.



Cuando utilice la herramienta, lleve siempre gafas protectoras.



Cuando utilice la herramienta, utilice siempre protección para los oídos.



No exponga la herramienta a la lluvia ni a la humedad.



Directiva 2000/14/CE sobre la potencia acústica garantizada.

Instrucciones de seguridad adicionales para baterías y cargadores

Baterías

- ◆ Jamás trate de abrir las baterías por ningún motivo.
- ◆ No exponga las baterías al agua.
- ◆ No guarde la batería en lugares en los que la temperatura pueda superar los 40 °C.
- ◆ Recargue la batería únicamente a una temperatura ambiente entre 10 °C y 40 °C.
- ◆ Utilice únicamente el cargador suministrado con la herramienta para realizar la carga.
- ◆ Cuando vaya a desechar la batería, siga las instrucciones facilitadas en la sección "Protección del medioambiente".



No intente cargar baterías dañadas.

Cargadores

- ◆ Solo debe utilizar el cargador BLACK+DECKER para cargar la batería en herramienta con la que se suministró. Si intenta cargar otras baterías, estas podrían explotar y provocar lesiones y daños materiales.
- ◆ Nunca intente cargar baterías no recargables.
- ◆ Sustituya los cables defectuosos inmediatamente.
- ◆ No exponga el cargador al agua.
- ◆ No abra el cargador.
- ◆ No aplique ningún dispositivo para medir la resistencia del cargador.



El cargador ha sido concebido para utilizarse únicamente en un lugar interior.



Lea el manual de instrucciones antes de usar el producto.

Importante: Deberán utilizarse solo los siguientes cargadores con las baterías de 54 v BL1554 y BL2554:
90589867, 90621477, 90590287-01, 90590289-01, 90602042-01, 90590287-02, 90590289-02, 90599854-02, 90599854-06, 90599853-05, 90634971, 90634972, 90634973, 90642266, 90642264, 90642265, BDC2A

Seguridad eléctrica



El cargador presenta un aislamiento doble; por lo tanto, no se requiere conexión a tierra. Compruebe siempre que el voltaje de la red eléctrica corresponda al valor indicado en la placa de características. No intente sustituir el cargador por un enchufe convencional para la red eléctrica.

- ◆ Si se daña el cable de alimentación, el fabricante o un centro de servicio técnico autorizado de BLACK+DECKER deberán sustituirlo para evitar riesgos.

Características

Esta herramienta incluye parte o la totalidad de estas características.

1. Interruptor de activación
2. Interruptor de desbloqueo
3. Empuñadura
4. Botón POWERCOMMAND
5. Protección de pestaña
6. Maneta
7. Cuchilla
8. Cuchilla de la sierra
9. Zapata de la cuchilla de la sierra
10. Batería Dualvolt (solo con la unidad GTC5455PC)
11. Panel Dualvolt (solo con la unidad GTC5455PC)
12. Cargador (solo con la unidad GTC5455PC)

Ensamblaje

Advertencia. Antes de proceder al montaje, extraiga la batería de la herramienta y coloque la vaina de la cuchilla sobre las cuchillas.

Advertencia. Antes de montar la herramienta, asegúrese de que se encuentra apagada y desconectada, y de que la vaina de la cuchilla se encuentra sobre las cuchillas.

Advertencia. Nunca utilice la herramienta sin el protector.

Procedimiento de carga

Los cargadores BLACK+DECKER han sido diseñados para cargar los paquetes de baterías BLACK+DECKER.

- ◆ Conecte el cargador (12) a la toma adecuada antes de introducir el paquete de baterías.
- ◆ Introduzca el paquete de baterías en el cargador como se muestra en la figura A.
- ◆ El LED indicador de carga verde (12a) parpadeará, lo cual indica que se está cargando la batería.
- ◆ Se indicará que la carga ha terminado porque la luz LED verde (12a) permanecerá encendida de manera continua. La batería estará cargada y podrá usarse, o dejarla en el cargador.

Nota: Recargue el conjunto descargado de la batería tan pronto como sea posible después del uso; de lo contrario, se reducirá la vida útil del conjunto de la batería. Para aprovechar al máximo la vida útil de la batería, no deje que la batería se agote. Es recomendable recargar las baterías después de cada uso.

Dejar la batería en el cargador

El cargador (12) y la batería (11) pueden permanecer conectados durante un periodo de tiempo indefinido con el indicador LED iluminado. El cargador mantendrá el conjunto de la batería a baja temperatura y completamente cargado.

Notas importantes para la carga

- ◆ Se puede conseguir una mayor duración y rendimiento si se carga la batería cuando la temperatura ambiente está entre 65 °F y 75 °F (18 °C y 24 °C). NO cargue la batería cuando la temperatura ambiente sea inferior a +40 °F (+4.5 °C) o superior a +105 °F (+40.5 °C). Esto es importante y prevendrá daños serios a la batería.
- ◆ El cargador y el paquete de baterías puede calentarse durante la carga. Esto es normal y no indica ningún problema. Para facilitar el enfriamiento de la batería después del uso, evite colocar el cargador o la batería en un ambiente cálido, como un cobertizo metálico o un remolque sin aislamiento.
- ◆ Si el paquete de baterías no se carga correctamente:
 - ◆ Enchufe una lámpara u otro aparato para comprobar la corriente del receptáculo.
 - ◆ Compruebe si el receptáculo está conectado a un interruptor de luz que corta la energía al apagar las luces.
 - ◆ Desplace el cargador y la batería hacia un lugar donde la temperatura del aire circundante sea de aproximadamente 65 °F - 75 °F (18 °C - 24 °C).
 - ◆ Si el problema de carga persiste, lleve la herramienta, el paquete de baterías y el cargador a su servicio técnico local.

- ◆ El paquete de baterías debe recargarse cuando no produce energía suficiente para trabajos que antes se efectuaban fácilmente. NO SIGA usándolo en estas condiciones. Siga el procedimiento de carga. También puede cargar un paquete parcialmente usado cuando lo desee, sin ningún efecto adverso para el conjunto de la batería.
- ◆ Los materiales conductores extraños como, a título enunciativo pero no limitativo, lana de acero, papel de aluminio o cualquier acumulación de partículas metálicas deben mantenerse alejados de las cavidades del cargador. Desconecte siempre el cargador de la red cuando el conjunto de la batería no esté colocado en la cavidad. Desconecte el cargador antes de intentar limpiarlo.
- ◆ No congelar ni sumergir en agua u otros líquidos.

Advertencia. No permita que ningún líquido penetre en el cargador. No intente nunca abrir el paquete de baterías por ningún motivo. Si el alojamiento de plástico de la batería se rompe o se agrieta, llévelo a un servicio técnico para reciclarla.

Indicador del estado de la carga (Fig. B)

La batería incluye un indicador del estado de la carga. Se puede utilizar para visualizar el nivel actual de la carga de la batería durante el uso y durante la carga. No indica la funcionalidad que la herramienta y está sujeta a variación según los componentes del producto, la temperatura y el trabajo del usuario final.

Comprobar el estado de la carga durante el uso

- ◆ Pulse el botón del indicador del estado de la carga (B1).
- ◆ Los tres LED (B2) se encenderán para indicar el porcentaje de carga de la batería. Consulte el gráfico de la figura B.
- ◆ Si el LED no se enciende, cargue la batería.

Diagnóstico del cargador (Fig. E)

Consulte los indicadores de la figura E para el estado de carga de la batería.

Fallo de la batería

Si el patrón de parpadeo indica un fallo de la batería, no siga recargando la batería. Llévela a un centro de servicios o a un punto de recogida para el reciclaje.

Retardo por batería fría / caliente

Cuando el cargador detecta que la batería está demasiado caliente o demasiado fría, inicia automáticamente la demora por batería fría o caliente, y suspende la carga hasta que la batería alcanza una temperatura adecuada. El cargador cambia automáticamente al modo de carga de batería. Esta característica asegura la máxima vida útil a la batería.

Una batería fría se carga a una velocidad inferior que una batería caliente. La batería se cargará a una velocidad inferior durante el ciclo completo de recarga y no volverá a la máxima velocidad de carga aunque la batería se caliente.

Instalación y extracción del paquete de baterías de la herramienta

Advertencia. Asegúrese de que el botón de desbloqueo está bloqueado para evitar que se active el interruptor antes de sacar o colocar la batería.

Colocación de la batería (Fig. C)

- ◆ Inserte la batería (10) en la herramienta hasta que oiga un clic (Figura C).
- ◆ Asegúrese de que la batería quede bien colocada y enganchada en su posición.

Extracción de la batería (Fig. D)

- ◆ Presione el botón de liberación de la batería (10a) como se muestra en la figura D y saque la batería (10) del pie de la herramienta.

Baterías DUALVOLT de 54 V (Fig. F)

El paquete de baterías Dualvolt de 54 V puede usarse con las herramientas sin cable de Black+Decker de 54 V y 18 V. La batería puede reconocer la herramienta que está insertada y hacerla funcionar a la potencia correspondiente, proporcionando más tiempo de funcionamiento en las herramientas de 18 V. El botón de estado de carga (11) indica el nivel de carga con 54 V y 18 V.

Funcionamiento

- ◆ Para encender el aparato, presione el botón de desbloqueo (2), apriete el gatillo (1) y oprima la maneta de interruptor doble (6), tal como se muestra en la figura G. Una vez que el aparato esté en marcha, puede soltar el botón de desbloqueo. Para que el aparato siga funcionando, debe continuar apretando el gatillo.

Advertencia. No intente nunca trabar un interruptor en la posición de encendido.

Instrucciones de corte

- ◆ Mantenga un apoyo firme sobre el suelo y el equilibrio y no haga estiramientos excesivos. Use gafas de protección y calzado antideslizante cuando esté cortando. Sujete firmemente el aparato con las dos manos y enciéndalo. Siempre debe sujetar la cortadora como se muestra en las ilustraciones de este manual, con una mano en la empuñadura del interruptor y la otra mano en la maneta (Figura G). Nunca debe sujetar el aparato por el protector de las cuchillas.

Corte de plantas nuevas (Fig. H)

- ◆ El movimiento más eficaz consiste en hacer un movimiento ancho, de barrido, con los dientes de la cuchilla para cortar las ramas. El mejor corte se consigue inclinando un poco hacia abajo la cuchilla, siguiendo la dirección del movimiento.

Advertencia. No corte tallos que midan más de 19 mm de altura. Use la cortadora solamente para cortar los arbustos que habitualmente se encuentran alrededor de las casas y los edificios.

Nivelar los setos (Fig. I)

- ◆ Para obtener unos setos excepcionalmente uniformes, se puede extender un trozo de línea a lo largo del seto, para que sirva de guía.

Corte lateral de setos (Fig. J)

- ◆ Sujete la cortadora, tal como se muestra, y empiece por abajo y vaya subiendo.

POWERCOMMAND (Fig. K)

Si se produce un atasco, presione el botón de POWERCOMMAND (4) que se muestra en la figura K. Las cuchillas se moverán hacia atrás y hacia delante con un ritmo más lento y potente, para facilitar el corte de las ramas difíciles. Suelte el botón para volver al uso normal de corte de setos.

Nota: Una vez suelte el botón, las cuchillas recuperarán de inmediato la máxima velocidad.

Nota: Las cuchillas se detendrán si se pulsa el botón durante 15 segundos. Para volver a activar la función de POTENCIA, suelte el botón y presiónelo de nuevo. NO debe mantener pulsado el botón de POTENCIA durante el corte de setos normal.

Cuchilla de la sierra (Fig. L)

Para ramas demasiado largas para cortar con la cuchilla (7) use la cuchilla de la sierra (8). Coloque la cuchilla de la sierra tan cerca del fondo de la rama como sea posible. Coloque la zapata de la cuchilla de la sierra (9) contra la rama. Gire el cortasetos como se describe arriba dejando que la herramienta trabaje a su ritmo hasta que corte totalmente la rama.

Mantenimiento

Su aparato o herramienta con o sin cable de BLACK+DECKER ha sido diseñada para funcionar durante un largo período de tiempo con un mantenimiento mínimo. El funcionamiento satisfactorio y continuo depende del buen cuidado de la herramienta y de una limpieza frecuente.

Advertencia. Antes de realizar el mantenimiento de herramientas eléctricas con o sin cables:

- ◆ Apague y desenchufe el aparato o herramienta.
- ◆ O apague y extraiga la batería del aparato o herramienta si este cuenta con una batería independiente.

- ◆ O, en caso de batería integrada, agótelas por completo y, a continuación, apague la herramienta.
- ◆ Desenchufe el cargador antes de limpiarlo. El cargador no requiere ningún mantenimiento especial excepto la limpieza periódica.
- ◆ Limpie periódicamente las ranuras de ventilación de la herramienta, aparato o cargador con un cepillo suave o un paño seco.
- ◆ Limpie periódicamente la carcasa del motor con un paño húmedo. No utilice limpiadores abrasivos o a base de disolventes.
- ◆ Después de utilizar la herramienta, limpie con cuidado las cuchillas. Después de limpiarlas, aplique una película de aceite ligero para máquinas para evitar que las cuchillas se oxiden.

Las cuchillas de corte están hechas de un acero endurecido de alta calidad y, si se utilizan de manera normal, no tendrán que afilarse. Sin embargo, si golpea accidentalmente una alambrada, piedras, cristal u otros objetos rígidos, es posible que haga una muesca en la cuchilla.

No será necesario eliminar dicha muesca mientras no interfiera en el movimiento de la cuchilla. Si interfiere, extraiga la batería y utilice una lima de dientes finos o una piedra de afilar para eliminar la muesca.

Si deja caer la cortadora, inspecciónela minuciosamente para comprobar si se han producido daños. Si la cuchilla está doblada, la carcasa está agrietada o se han roto las empuñaduras, o si ve cualquier otro problema que pueda afectar al funcionamiento de la cortadora, póngase en contacto con el taller de reparación local de BLACK+DECKER para reparar la cortadora antes de volver a utilizarla. Los fertilizantes y otros productos químicos de jardinería contienen agentes que aceleran considerablemente la corrosión de los metales. No guarde el aparato con abonos o sustancias químicas, o cerca de estos productos. Para limpiar el aparato, una vez extraída la batería, utilice únicamente jabón suave y un paño húmedo. Evite que penetre líquido en el interior de la unidad; nunca sumerja ninguna parte de esta en líquido. Evite que las cuchillas se oxiden aplicando una película fina de aceite ligero para máquinas después de limpiarlas.

Sustitución del enchufe de red (solo para el Reino Unido e Irlanda)

Si debe colocar un nuevo enchufe de red:

- ◆ Deseche el enchufe anterior según las normas de seguridad.
- ◆ Conecte el cable marrón al terminal conductor del nuevo enchufe.
- ◆ Conecte el cable azul al terminal neutro.

Advertencia. No deberá realizar ninguna conexión al terminal de tierra. Siga las instrucciones de ajuste suministradas con enchufes de buena calidad. Fusible recomendado: 5 A.

Resolución de problemas		
Problema	Causa posible	Solución posible
Cuchillas lentas, ruidosas o calientes.	Cuchillas secas y corroídas.	Engrase las cuchillas.
	Cuchilla doblada o soporte de cuchilla doblado.	Enderece la cuchilla o el soporte de cuchilla.
	Dientes doblados o dañados.	Enderece los dientes.
	Pernos de la cuchilla sueltos.	Apriete los pernos de la cuchilla.
El aparato no se pone en marcha.	La batería no se ha instalado correctamente.	Compruebe la instalación del conjunto de la batería.
	La batería no está cargada.	Compruebe los requisitos de carga de la batería.
	El desbloqueo no funciona completamente.	Compruebe que el desbloqueo esté totalmente presionado antes de mover el gatillo principal.
La batería no se carga.	No se ha insertado la batería en el cargador.	Inserte la batería en el cargador hasta que se encienda el indicador LED verde. Si la batería está agotada, cargue durante 8 horas como máximo.
	El cargador no está enchufado.	Enchufe el cargador en una toma de corriente que funcione. Puede obtener más información en "Notas importantes para la carga". Encienda una lámpara u otro aparato para comprobar la corriente de la toma. Compruebe si la toma está conectada a un interruptor de luz que corta la energía al apagar las luces.
	La temperatura del aire circundante es demasiado caliente o demasiado fría.	Desplace el cargador y la batería a un lugar con temperatura ambiente superior a 40 °F (4,5 °C) o inferior a 105 °F (+40,5 °C)

Protección del medioambiente



Recogida selectiva. Los productos y las baterías marcadas con este símbolo no se deben eliminar con los residuos domésticos normales.

Los productos y las baterías que contienen materiales que se puedan recuperar o reciclar reducen la demanda de materias primas. Recicle los productos eléctricos y las baterías de conformidad con la normativa local.

Datos técnicos

		GTC5455PC	GTC5455PCB
Tensión	V _{cc}	54	54
Recorrido de las cuchillas (sin carga)	min. ⁻¹	2600	2600
Longitud de las cuchillas	cm	60	60
Distancias de las cuchillas	mm	19	19
Peso	kg	3.83	2.775

Batería		BL2554	Solo la unidad (sin batería)
Tensión	V_{cc}	54	
Capacidad	Ah	1.5	
Tipo		Litio-ión	
Cargador		BDC2A	Solo la unidad (sin batería)
Voltaje de entrada	V_{ca}	220 - 230	
Voltaje de salida	V_{cc}	2000mA	
Corriente	mA	2000	
Tiempo de carga aproximado	H	2,75	

El abajo firmante es el responsable de la compilación del archivo técnico y realiza esta declaración en representación de Black & Decker.



Ray Laverick
 Director de Ingeniería
 Black & Decker Europa, 210 Bath Road, Slough,
 Berkshire, SL1 3YD
 Reino Unido
 23/09/2016

Nivel de presión acústica de acuerdo con la norma EN 60745:

Presión acústica: (L_{pA}) 78 dB(A), incertidumbre (K) 3 dB(A)

Potencia acústica GTC18504PC (L_{WA}) 92.5 dB(A) incertidumbre (K) 2.5 dB(A)

Valores totales de las vibración (suma de vectores teniendo en cuenta los tres ejes) de acuerdo con la norma EN 60745:

Valor de emisión de vibraciones: GTC18504PC (a_{hV}) 2.7 m/s^2 ,
 incertidumbre (K) 1.5 m/s^2

Declaración de conformidad CE

DIRECTIVA DE MÁQUINAS
 DIRECTIVA SOBRE EL RUIDO EXTERIOR



Cortasetos GTC5455PC, GTC5455PCB

Black & Decker declara que los productos descritos en el apartado "Datos técnicos" son conformes a las normas siguientes:

2006/42/CE, EN 60745-1:2009 + A11:2010, EN 60745-2-15:2009 + A1:2010

2000/14/CE, cortasetos 1300 min^{-1} , Anexo V

Potencia acústica medida (L_{WA}) 92.5 dB(A)

Incertidumbre (K) 2,5 dB(A)

Potencia acústica garantizada (L_{WA}) 92.5 dB(A)

Estos productos también cumplen con las Directivas 2004/108/CE y 2011/65/UE. Para más información, póngase en contacto con Black & Decker en la siguiente dirección o consulte la parte posterior del manual.

Garantía

Black & Decker confía en la calidad de sus productos y ofrece a los consumidores una garantía de 24 meses a partir de la fecha de compra. Esta garantía es adicional a sus derechos legales y no los menoscaba en modo alguno. La garantía es válida dentro de los territorios de los Estados Miembros de la Unión Europea y del Área de Libre Comercio Europea.

Para reclamar la garantía, la reclamación se debe presentar de conformidad con las condiciones de Black & Decker. Tendrá que adjuntar un justificante de compra al vendedor o al agente técnico autorizado. Las condiciones de la garantía de 2 años de Black & Decker y la ubicación de su agente técnico autorizado más cercano se pueden obtener en Internet en www.2helpU.com o poniéndose en contacto con su oficina local de Black & Decker en la dirección que se indica en este manual.

Visite nuestro sitio web www.blackanddecker.co.uk para registrar su nuevo producto Black & Decker y recibir noticias sobre nuevos productos y ofertas especiales.

Utilização pretendida

Os corta-sebes BLACK+DECKER™ GTC5455PC, GTC5455PCB foram concebidos para cortar sebes, arbustos e rubos. Estas ferramentas destinam-se apenas para utilização doméstica.

Instruções de segurança

Avisos de segurança gerais para ferramentas eléctricas



Atenção! Leia todos os avisos de segurança e todas as instruções. O não cumprimento dos seguintes avisos e instruções pode resultar em choque eléctrico, incêndio e/ou graves lesões.

Guarde todos os avisos e instruções para futura referência. A expressão "ferramenta eléctrica" utilizada nos avisos refere-se à sua ferramenta eléctrica com ligação à corrente eléctrica (com cabo) ou com bateria (sem fios).

1. Segurança na área de trabalho

- Mantenha a área de trabalho limpa e bem iluminada.** As áreas desorganizadas ou escuras são propensas a acidentes.
- Não trabalhe com ferramentas eléctricas em áreas com risco de explosão, nas quais se encontrem líquidos, gases ou poeiras inflamáveis.** As ferramentas eléctricas criam faíscas que poderão inflamar estas poeiras ou vapores.
- Mantenha crianças e outras pessoas afastadas durante a utilização da ferramenta eléctrica.** As distrações podem levar à perda do controlo da ferramenta.

2. Segurança eléctrica

- As fichas da ferramenta eléctrica devem caber na tomada. Nunca modifique a ficha de forma alguma. Não utilize fichas adaptadoras com ferramentas eléctricas ligadas à terra.** As fichas não modificadas e as tomadas compatíveis reduzem o risco de choque eléctrico.
- Evite que o corpo entre em contacto com superfícies ligadas à terra, como tubos, radiadores, fogões e frigoríficos.** Se o seu corpo estiver "ligado" à terra, o risco de choque eléctrico é maior.
- As ferramentas eléctricas não podem ser expostas a chuva nem humidade.** A entrada de água numa ferramenta eléctrica aumenta o risco de choque eléctrico.
- Manuseie o cabo com cuidado. Nunca o utilize para transportar, puxar ou desligar a ferramenta eléctrica.**

Mantenha o cabo afastado de fontes de calor, substâncias oleosas, extremidades aguçadas ou peças móveis. Os cabos danificados ou emaranhados aumentam o risco de choque eléctrico.

- Quando trabalhar com uma ferramenta eléctrica ao ar livre, utilize um cabo de extensão apropriado para esse fim.** A utilização de um cabo adequado para uso ao ar livre reduz o risco de choque eléctrico.
- Se for inevitável trabalhar com uma ferramenta eléctrica num local húmido, utilize um dispositivo de corrente residual (RCD).** A utilização de um DCR reduz o risco de choque eléctrico.

3. Segurança pessoal

- Mantenha-se alerta, tenha atenção ao que está a fazer e seja cuidadoso quando trabalhar com a ferramenta eléctrica. Não utilize uma ferramenta eléctrica quando estiver cansado ou sob o efeito de drogas, álcool ou medicamentos.** Um momento de distração durante a utilização de ferramentas eléctricas poderá resultar em ferimentos graves.
- Utilize equipamento de protecção pessoal. Use sempre uma protecção ocular.** O equipamento de protecção, como, por exemplo, uma máscara contra o pó, sapatos de segurança antiderrapantes, um capacete de segurança ou uma protecção auditiva, usado nas condições apropriadas, reduz o risco de ferimentos.
- Evite arranques involuntários. Certifique-se de que o botão está desligado antes de ligar a ferramenta à corrente eléctrica e/ou à bateria, e antes de levantar ou transportar a ferramenta.** Se mantiver o dedo sobre o interruptor ao transportar ferramentas eléctricas ou se as ligar à fonte de alimentação com o interruptor ligado, isso poderá dar origem a acidentes.
- Retire eventuais chaves de ajuste ou chaves de fendas antes de ligar a ferramenta eléctrica.** Uma chave de fenda ou de ajuste que se encontre numa peça em rotação da ferramenta eléctrica poderá causar lesões.
- Não tente chegar a pontos fora do alcance. Mantenha sempre os pés bem apoiados e um equilíbrio apropriado.** Desta forma, será mais fácil controlar a ferramenta eléctrica em situações inesperadas.
- Use vestuário adequado. Não use roupa larga nem jóias. Mantenha o cabelo, a roupa e as luvas afastados das peças móveis.** As roupas largas, as jóias ou o cabelo comprido podem ficar presos nestas peças.
- Se for prevista a montagem de dispositivos de extracção e recolha de poeiras, assegure-se de que estão ligados e que são utilizados de forma correcta.** A utilização de dispositivos de extracção de partículas pode reduzir os riscos relacionados com as mesmas.

4. **Utilização e manutenção da ferramenta eléctrica**
 - a. **Não sobrecarregue a ferramenta eléctrica. Utilize a ferramenta eléctrica correcta para o seu trabalho.** A ferramenta eléctrica adequada irá efectuar o trabalho de um modo mais eficiente e seguro se for utilizada de acordo com a capacidade para a qual foi concebida.
 - b. **Não utilize a ferramenta eléctrica se o interruptor não puder ser ligado nem desligado.** Qualquer ferramenta eléctrica que não possa ser controlada através do interruptor de alimentação é perigosa e tem de ser reparada.
 - c. **Desligue a ficha da tomada e/ou a bateria da ferramenta eléctrica antes de proceder a ajustes, substituir acessórios ou guardar ferramentas eléctricas.** Estas medidas de segurança preventivas reduzem o risco de ligar a ferramenta eléctrica acidentalmente.
 - d. **Mantenha as ferramentas eléctricas que não estiverem a ser utilizadas fora do alcance das crianças. Não permita que a ferramenta eléctrica seja utilizada por pessoas não familiarizadas com a mesma ou que não tenham lido estas instruções.** As ferramentas eléctricas são perigosas nas mãos de pessoas que não possuam as qualificações necessárias para as manusear.
 - e. **Proceda à manutenção das ferramentas eléctricas. Verifique se as partes móveis estão desalinhadas ou bloqueadas, se existem peças partidas ou qualquer outra situação que possa afectar o funcionamento das ferramentas eléctricas. Se a ferramenta eléctrica estiver danificada, esta não deve ser utilizada até que seja reparada.** Muitos acidentes têm como principal causa ferramentas eléctricas com uma manutenção insuficiente.
 - f. **Mantenha as ferramentas de corte afiadas e limpas.** As ferramentas de corte sujeitas a uma manutenção adequada, com arestas de corte afiadas, emperram com menos frequência e controlam-se com maior facilidade.
 - g. **Utilize a ferramenta eléctrica, acessórios e peças de ferramenta de acordo com estas instruções, considerando as condições de trabalho e a tarefa a ser executada.** A utilização da ferramenta eléctrica para fins diferentes dos previstos poderá resultar em situações perigosas.
5. **Utilização e cuidados a ter com a ferramenta com baterias**
 - a. **Carregue apenas com o carregador especificado pelo fabricante.** Um carregador adequado para um tipo de bateria pode causar um incêndio se for utilizado com outra bateria.
 - b. **Utilize ferramentas eléctricas apenas com baterias específicas.**

A utilização de outras baterias pode dar origem a risco de danos e incêndio.

- c. **Quando não utilizar a pilha, mantenha-a afastada de outros objectos metálicos, tais como cliques para papel, moedas, chaves, pregos, parafusos ou outros pequenos objectos metálicos que permitam fazer a ligação de um terminal para outro.** O curto-circuito de terminais das baterias pode causar queimaduras ou incêndio.
 - d. **Em condições abusivas, pode derramar líquido da pilha, devendo evitar o contacto. Se tocar acidentalmente no líquido, lave bem com água. Se o líquido entrar em contacto com os olhos, consulte um médico.** O líquido derramado da bateria pode causar irritação ou queimaduras.
6. **Assistência**
 - a. **A sua ferramenta eléctrica só deve ser reparada por pessoal qualificado e só devem ser colocadas peças sobressalentes originais.** Desta forma, é garantida a segurança da ferramenta eléctrica.

Avisos de segurança adicionais para ferramentas eléctricas



Atenção! Avisos de segurança adicionais para corta-sebes

- ◆ **Mantenha todas as partes do corpo afastadas da lâmina de corte. Não remova o material cortado ou material a ser cortado quando as lâminas estiverem em movimento. Certifique-se de que o interruptor está desligado quando desobstruir o material encravado.** Um momento de falta de atenção durante a utilização da ferramenta poderá causar ferimentos graves.
- ◆ **Transporte o corta-sebes pelo punho com a lâmina de corte parada. Quando transportar ou armazenar o corta-sebes, coloque sempre a tampa da barra de corte.** O manuseamento correcto do corta-sebes irá reduzir possíveis danos pessoais provocados pelas lâminas de corte.
- ◆ **Segure a ferramenta eléctrica só pelas áreas isoladas, porque a lâmina de corte pode entrar em contacto com a cablagem oculta.** As lâminas de corte em contacto com um cabo "electrificado" poderão expor peças metálicas do sistema eléctrico da ferramenta e provocar um choque eléctrico ao operador.
- ◆ **A utilização adequada é descrita neste manual de instruções. A utilização de qualquer acessório ou a realização de qualquer operação com esta ferramenta que não se inclua no presente manual de instruções pode representar um risco de ferimentos e/ou danos materiais.**

- ◆ Não transporte a ferramenta com as mãos pelo punho frontal, pelo interruptor ou pelo gatilho, excepto se estiver desligada ou se a bateria tiver sido removida.
- ◆ Se nunca utilizou o corta-sebes anteriormente, procure obter instruções práticas de um utilizador com experiência como complemento a este manual.
- ◆ Nunca toque nas lâminas enquanto a ferramenta estiver em funcionamento.
- ◆ Nunca force a imobilização das lâminas.
- ◆ Não baixe a máquina até que as lâminas parem completamente.
- ◆ Verifique regularmente se existem danos e desgaste nas lâminas. Não utilize a ferramenta quando as lâminas estiverem danificadas.
- ◆ Ao aparar, evite objectos rígidos (cablagem de metal, calhas). Se a ferramenta entrar acidentalmente em contacto com estes objectos, desligue-a imediatamente e verifique se ocorreram danos.
- ◆ Se a ferramenta começar a vibrar anormalmente, desligue-a imediatamente, retire a bateria e verifique se ocorreram danos.
- ◆ Se a ferramenta encravar, desligue-a imediatamente. Remova a bateria antes de tentar remover quaisquer obstruções.
- ◆ Depois da utilização, coloque a protecção da lâmina fornecida. Guarde a ferramenta, certificando-se de que a lâmina não está exposta.
- ◆ Certifique-se sempre de que todas as protecções estão colocadas quando utilizar a ferramenta. Nunca tente utilizar uma ferramenta não completa ou uma ferramenta com modificações não autorizadas.
- ◆ Não permita que as crianças mexam na ferramenta.
- ◆ Tenha atenção aos detritos prestes a cair quando cortar as partes mais altas de uma sebe.
- ◆ Segure sempre a ferramenta com ambas as mãos e pelos punhos fornecidos.

Segurança de terceiros

- ◆ Este aparelho não deve ser utilizado por pessoas (incluindo crianças) com capacidades físicas, sensoriais ou mentais reduzidas ou com falta de experiência e conhecimentos, a menos que sejam acompanhadas ou tenham recebido formação ou instruções sobre a utilização deste equipamento por uma pessoa responsável pela respectiva segurança.
- ◆ As crianças deverão ser vigiadas para que não mexam no aparelho.

Riscos residuais.

Podem surgir riscos residuais adicionais durante a utilização da ferramenta, que poderão não constar nos avisos de segurança incluídos. Estes riscos podem resultar de má utilização, uso prolongado, etc.

Mesmo com o cumprimento dos regulamentos de segurança relevantes e a implementação de dispositivos de segurança, alguns riscos residuais não podem ser evitados. Estes incluem:

- ◆ Ferimentos causados pelo contacto com peças em rotação/movimento.
- ◆ Ferimentos causados durante a troca de peças, lâminas ou acessórios.
- ◆ Ferimentos causados pela utilização prolongada de uma ferramenta. Quando utilizar uma ferramenta durante períodos prolongados, certifique-se de que faz pausas regularmente.
- ◆ Danos auditivos.
- ◆ Problemas de saúde causados pela inalação de poeiras resultantes da utilização da ferramenta (exemplo: trabalhos em madeira, especialmente carvalho, faia e MDF).

Vibração

Os valores de emissão de vibração declarados na secção de dados técnicos e na declaração de conformidade foram medidos de acordo com o método de teste padrão fornecido pela norma EN 60745 e podem ser utilizados para comparar ferramentas. O valor de emissão de vibração declarado pode ainda ser utilizado numa avaliação preliminar de exposição.

Atenção! O valor de emissão de vibração durante a utilização real da ferramenta eléctrica pode ser diferente do valor declarado, dependendo da forma como a ferramenta é utilizada. O nível de vibração pode aumentar acima do nível indicado.

Quando avaliar a exposição da vibração para determinar as medidas de segurança exigidas pela Directiva 2002/44/CE para proteger pessoas que utilizem regularmente ferramentas eléctricas na sua actividade profissional, deve ser considerada uma estimativa de exposição de vibração, as condições reais de utilização e o modo de utilização da ferramenta, incluindo ainda todas as partes do ciclo de funcionamento, como os períodos de inactividade e espera da ferramenta, para além do tempo de funcionamento.

Etiquetas colocadas na ferramenta

A ferramenta apresenta os seguintes pictogramas de aviso juntamente com o código de data:



Atenção! Para reduzir o risco de ferimentos, o utilizador deve ler o manual de instruções.



Utilize óculos ou viseiras de protecção quando utilizar esta ferramenta.



Utilize protectores dos ouvidos quando utilizar esta ferramenta.



Não exponha a ferramenta à chuva ou humidade elevada.



A potência sonora cumpre a Directiva 2000/14/CE.

Instruções de segurança adicionais para baterias e carregadores

Baterias

- ◆ Nunca tente abrir a bateria, seja qual for o motivo.
- ◆ Não exponha as pilhas à água.
- ◆ Não armazene em locais onde a temperatura possa exceder os 40 °C.
- ◆ Carregue apenas a temperaturas ambiente entre 10 °C e 40 °C.
- ◆ Carregue apenas com o carregador fornecido com a ferramenta.
- ◆ Ao eliminar as pilhas, siga as instruções indicadas na secção "Protecção do ambiente".



Não tente carregar baterias danificadas.

Carregadores

- ◆ Utilize o seu carregador BLACK+DECKER apenas para carregar a bateria da ferramenta com que foi fornecido. Outras baterias podem rebentar, provocando ferimentos e danos.
- ◆ Nunca tente carregar baterias não recarregáveis.
- ◆ Substitua os cabos defeituosos imediatamente.
- ◆ Não exponha o carregador à água.
- ◆ Não abra o carregador.
- ◆ Não manipule o interior do carregador.



O carregador deverá ser utilizado apenas em espaços interiores.



Antes da utilização, leia o manual de instruções.

Importante: Apenas os seguintes carregadores devem ser utilizados para carregar as baterias BL1554 e BL2554 de 54 V:

90589867, 90621477, 90590287-01, 90590289-01, 90602042-01, 90590287-02, 90590289-02, 90599854-02, 90599854-06, 90599853-05, 90634971, 90634972, 90634973, 90642266, 90642264, 90642265, BDC2A

Segurança eléctrica



O seu carregador tem isolamento duplo. Por esse motivo, não precisa de ligação à terra. Verifique sempre se a tensão de alimentação corresponde à tensão indicada na placa sinalética. Nunca tente substituir a unidade do carregador por uma tomada de alimentação normal.

- ◆ Se o cabo de alimentação estiver danificado, terá de ser substituído pelo fabricante ou por um Centro de Assistência autorizado BLACK+DECKER, de modo a evitar lesões.

Componentes

Esta ferramenta inclui algumas ou todas as características seguintes.

1. Interruptor de accionamento
2. Botão de bloqueio
3. Punho
4. Botão POWERCOMMAND
5. Resguardo da lâmina
6. Pega automotora
7. Lâmina
8. Lâmina da serra
9. Apoio da lâmina da serra
10. Bateria Dualvolt (fornecida apenas com a unidade GTC5455PC)
11. Painel Dualvolt (fornecido apenas com a unidade GTC5455PC)
12. Carregador (fornecido apenas com a unidade GTC5455PC)

Montagem

Atenção! Antes da montagem, remova a bateria da ferramenta e coloque a protecção das lâminas sobre as mesmas.

Atenção! Antes de tentar montar, certifique-se de que a ferramenta está desligada da corrente e a protecção da lâmina de serra está sobre as lâminas.

Atenção! Nunca utilize a ferramenta sem a protecção.

Procedimento de carregamento

Os carregadores da BLACK+DECKER são concebidos para carregar baterias da BLACK+DECKER.

- ◆ Ligue o carregador (12) numa tomada adequada antes de inserir a bateria.
- ◆ Insira a bateria no carregador, como indicado na Figura A.
- ◆ O LED verde (12a) ficará a piscar, indicando que a bateria está a ser carregada.
- ◆ A conclusão do processo de carregamento é LED verde (12a), que permanece ligado de maneira contínua. A bateria fica totalmente carregada e pode ser utilizada nesta altura ou pode deixá-la no carregador.

Nota: Recarregue as baterias descarregadas assim que possível após a utilização, caso contrário a duração da bateria pode diminuir consideravelmente. Para uma maior duração da bateria, não descarregue as baterias totalmente. Recomenda-se que as baterias sejam carregadas após cada utilização.

Deixar a bateria no carregador

O carregador (12) e a bateria (11) podem permanecer ligados com o LED aceso indefinidamente. O carregador irá manter a bateria completamente carregada.

Notas importantes sobre carregamento

- ◆ É possível aumentar a duração e o desempenho da bateria se carregá-la quando a temperatura ambiente se situar entre 18 °C e 24 °C. NÃO carregue a bateria se a temperatura ambiente for inferior a +4,5 °C ou superior a +40,5 °C. Isto é importante e impede danos graves na bateria.
- ◆ O carregador e a bateria podem ficar demasiado quentes durante o carregamento. Isto é normal e não representa um problema. Para facilitar o arrefecimento da bateria, evite colocar o carregador ou a bateria num local quente, como num barracão metálico ou num reboque não isolado.
- ◆ Se a bateria não carregar correctamente:
 - ◆ Verifique a corrente no receptáculo, ligando uma lâmpada ou outro aparelho.
 - ◆ Verifique se o receptáculo está ligado a um comutador de iluminação que se desliga quando desliga as luzes.
 - ◆ Coloque o carregador e a bateria num local onde a temperatura do ar ambiente seja de aproximadamente 18 ° - 24 °C).
 - ◆ Se os problemas de carregamento persistirem, leve a ferramenta, a bateria e o carregador para um centro de assistência local.
- ◆ A bateria deve ser recarregada se não fornecer energia suficiente durante trabalhos que tenham sido efectuados facilmente. NÃO CONTINUE a utilizar o aparelho nestas condições. Siga o procedimento de carregamento. Pode também carregar uma bateria parcialmente utilizada sempre que quiser, porque não afecta a bateria.
- ◆ Os materiais estranhos condutores como, por exemplo, mas não limitado a, lâ de aço, folha de alumínio ou qualquer acumulação de partículas metálicas devem ser removidos dos orifícios do carregador. Desligue sempre o carregador da fonte de alimentação quando não estiver inserida uma bateria no respectivo orifício. Desligue o carregador antes de proceder à limpeza.
- ◆ Não congele nem coloque o carregador dentro de água ou de outros líquidos.

Atenção! Não permita a entrada de líquidos no carregador. Nunca tente abrir a bateria, seja qual for o motivo.

Se a estrutura de plástico da bateria se partir ou rachar, envie o aparelho para um centro de assistência para reciclagem.

Indicador do estado de carga (Fig. B)

A bateria está equipada com um indicador do estado de carga.

Este pode ser utilizado para apresentar o nível de carga actual da bateria durante a utilização e o carregamento. Não indica a funcionalidade da bateria e está sujeito a variações com base nos componentes, temperatura do produto e aplicação do utilizador final.

Verificar o estado da carga durante a utilização

- ◆ Prima o botão do indicador do estado de carga (B1).
- ◆ Os três LED (B2) acendem-se indicando a percentagem de carga na bateria. Consulte o gráfico na Figura B.
- ◆ Se o LED não acender, carregue a bateria.

Diagnóstico do carregador (Fig. E)

Consulte os indicadores indicados na Figura E para saber qual é o estado da carga da bateria.

Problemas na bateria

Se aparecer um padrão intermitente de problemas na bateria, interrompa o carregamento da bateria. Entregue-a a um centro de assistência ou num local de recolha para reciclagem.

Retardação de calor/frio

Se o carregador detectar que uma bateria está demasiado quente ou fria, inicia automaticamente a retardação de calor/frio, suspendendo o carregamento até a bateria atingir a temperatura adequada. O carregador muda automaticamente para o modo de carregamento da bateria. Esta função assegura a duração máxima da bateria. Uma bateria fria fica carregada a uma taxa mais lenta do que uma bateria quente. A bateria irá carregar a essa taxa mais lenta durante todo o ciclo de carga e não recupera a taxa de carga máxima, mesmo que a bateria aqueça.

Inserir e retirar a bateria da ferramenta

Atenção! Certifique-se de que o botão de desbloqueio está na posição correcta para impedir a activação acidental do interruptor de funcionamento, antes de retirar ou instalar a bateria.

Instalar a bateria (Fig. C)

- ◆ Insira a bateria (10) na ferramenta até ouvir um som de encaixe (Figura C)
- ◆ Certifique-se de que a bateria está totalmente encaixada na posição.

Retirar a bateria (Fig. D)

- ◆ Prima o botão de libertação da bateria (10a), como indicado na Figura D e retire a bateria (10) da ferramenta.

Bateria Dualvolt de 54 V (Fig. F)

A bateria Dualvolt de 54 V pode ser utilizada em ferramentas sem fio Black+Decker de 54 V e 18 V. A bateria consegue reconhecer a ferramenta na qual está inserida e funciona de acordo com a respectiva potência, proporcionando uma duração mais prolongada nas ferramentas de 18 V. Está disponível um botão do estado de carga (11) que indica o nível de carga nas baterias de 54 V e 18 V.

Funcionamento

- ◆ Para ligar a unidade, empurre o botão de desbloqueio (2) para baixo, prima o gatilho (1) e prima a pega automotora de interruptor duplo (6) como indicado na Figura G. Quando a unidade estiver em funcionamento, pode libertar o botão de desbloqueio. Para manter a unidade em funcionamento, deve continuar a premir o gatilho.

Atenção! Nunca tente bloquear um interruptor de ligação na posição de ligado.

Instruções de corte

- ◆ Mantenha sempre os pés bem apoiados e em equilíbrio apropriado e não tente chegar a pontos fora do alcance. Use óculos de protecção e calçado anti-aderente quando efectuar cortes. Segure na unidade com firmeza com ambas as mãos e ligue a unidade. Segure sempre no cortador, como indicado nas ilustrações deste manual, com uma mão a segurar a alavanca do interruptor e com a outra mão na pega automotora (Figura G). Nunca segure a unidade pelo resguardo da lâmina.

Cortar relva recém-crescida (Fig. H)

- ◆ Um amplo movimento de varrimento dos dentes da lâmina pelos ramos é muito eficaz. Uma ligeira inclinação para baixo da lâmina, na direcção do movimento, permite o corte mais adequado.

Atenção! Não corte caules com mais de 19 mm. Utilize o cortador apenas desbastar arbustos normais em residências e edifícios.

Nivelar sebes (Fig. I)

- ◆ Para obter sebes muito bem niveladas, pode esticar um fio ao longo do comprimento da sebe como orientação.

Corte lateral de sebes (Fig. J)

- ◆ Segure no cortador como indicado, comece pela parte inferior e inicie um movimento de varrimento para cima.

POWERCOMMAND (Fig.K)

Se a ferramenta encravar, prima o botão POWERCOMMAND (4) indicado na Figura K. As lâminas movem-se para trás e para a frente num ritmo mais lento e enérgico para facilitar o corte dos ramos difíceis. Liberte o botão para voltar para o modo de utilização de corte de sebes normais.

Nota: Depois de libertar o botão, as lâminas voltam de imediato para a velocidade máxima.

Nota: As lâminas param de rodar se premir o botão durante 15 segundos. Para activar de novo a função POWERCOMMAND, liberte o botão e prima-o novamente. NÃO segure o botão POWERCOMMAND de maneira contínua durante o corte de sebes normais.

Lâmina da serra (Fig. L)

Se houver ramos demasiado compridos para serem cortados pela lâmina (7), utilize a lâmina da serra (8). Posicione a lâmina da serra o mais próximo possível da parte inferior do ramo. Encoste o apoio da lâmina da serra (9) ao ramo. Ligue o corta-sebes como descrito acima, para que a ferramenta funcione ao seu próprio ritmo até o ramo ser cortado por completo.

Manutenção

O seu aparelho/ferramenta com/sem fios BLACK+DECKER foi concebido para funcionar durante muito tempo, com um mínimo de manutenção. Uma utilização continuamente satisfatória depende de uma manutenção apropriada da ferramenta e de uma limpeza regular.

Atenção! Antes de proceder a qualquer acção de manutenção em ferramentas eléctricas com cabo/sem fios:

- ◆ Desligue o aparelho/ferramenta e retire a respectiva ficha da tomada.
- ◆ Ou desligue e remova a pilha do aparelho/ferramenta caso o aparelho/ferramenta tenha uma bateria individual.
- ◆ Ou deixe a bateria descarregar completamente se estiver incorporada e, em seguida, desligue-a.
- ◆ Desligue o carregador antes de o limpar. O seu carregador não necessita de manutenção para além da limpeza regular.
- ◆ Limpe regularmente as aberturas de ventilação do aparelho/ferramenta/carregador com uma escova macia ou um pano seco.
- ◆ Limpe regularmente o compartimento do motor com um pano húmido. Não utilize produtos de limpeza abrasivos ou à base de dissolventes.
- ◆ Após a utilização, limpe as lâminas com cuidado. Após a limpeza, aplique uma película de óleo ligeiro para máquinas para evitar o aparecimento de ferrugem.

As lâminas de corte são compostas por aço endurecido de elevada qualidade, e com a utilização normal, não têm de ser afiadas novamente.

Contudo, se bater acidentalmente numa cerca de arame metálico, pedras, vidro ou outros objectos duros, pode causar uma falha na lâmina.

Não é necessário reparar esta fenda, desde que não interfira com o movimento da lâmina. Se interferir, retire a bateria e utilize uma lima com dentes finos ou uma pedra de amolar para reparar a falha.

Se deixar cair o cortador, inspeccione com cuidado se apresenta danos. Se a lâmina estiver dobrada, a estrutura tiver fendas ou os punhos ou se verificar a presença de qualquer outra situação que possa afectar o funcionamento do cortador, contacte um centro de assistência da BLACK+DECKER local para proceder à reparação antes de voltar a utilizar a ferramenta. Os fertilizantes e outros químicos de jardinagem contêm agentes que aceleram bastante a corrosão de metais. Não armazene a unidade junto de fertilizantes ou produtos químicos. Com a bateria removida, utilize apenas sabão neutro e um pano húmido para limpar a unidade. Nunca deixe nenhum líquido entrar na unidade; nunca mergulhe nenhuma peça da unidade em líquido. Após a limpeza, aplique uma camada de óleo de máquina não agressivo nas lâminas para que não enferrujem.

Substituição da tomada de alimentação (apenas Reino Unido e Irlanda)

Se for necessário instalar uma nova ficha de alimentação:

- ◆ Elimine com segurança a tomada antiga.
- ◆ Ligue o cabo castanho ao terminal activo na nova tomada.
- ◆ Ligue o cabo azul ao terminal neutro.

Atenção! não deve ser efectuada qualquer ligação ao terminal de terra. Siga as instruções de instalação fornecidas com fichas de boa qualidade. Fusível recomendado: 5 A.

Resolução de problemas		
Problema	Causa possível	Solução possível
Funcionamento lento, com ruído ou as lâminas estão quentes.	Lâminas secas e corroídas.	Lubrifique as lâminas.
	A lâmina ou o suporte da lâmina dobrados.	Endireite a lâmina ou o respectivo suporte.
	Dentes dobrados ou danificados.	Endireite os dentes.
	Parafusos da lâmina soltos.	Aperte os parafusos da lâmina.
A unidade não é iniciada.	A bateria não foi colocada correctamente.	Verifique a instalação da bateria.
	A bateria não está carregada.	Verifique os requisitos para carregar a bateria.
	O desbloqueio não está totalmente funcional.	Verifique se o desbloqueio está totalmente premido antes de deslocar o gatilho principal.

Resolução de problemas		
A bateria não carrega	Bateria não introduzida no carregador.	Insira a bateria no carregador até o LED verde acender. Se a bateria estiver totalmente descarregada, carregue-a durante 8 horas.
	Carregador não ligado.	Ligue o carregador à tomada. Consulte "Notas importantes sobre carregamento" para obter mais informações. Verifique a corrente no receptáculo, ligando uma lâmpada ou outro aparelho. Verifique se o receptáculo está ligado a um comutador de iluminação que se desliga quando desliga as luzes.
	A temperatura de ar circundante é demasiado quente ou fria.	O carregador e a ferramenta devem estar a uma temperatura de ar circundante superior a 45 °C ou inferior a 40,5 °C.

Protecção do ambiente



Faça uma recolha de lixo selectiva. Os produtos e baterias assinalados com este símbolo não devem ser eliminados em conjunto com resíduos domésticos normais.

Os produtos e baterias contêm materiais que podem ser recuperados ou reciclados, reduzindo a necessidade de matérias-primas. Recicle os produtos eléctricos e as baterias de acordo com as disposições locais.

Dados técnicos

		GTC5455PC	GTC5455PCB
Tensão	V_{cc}	54	54
Cursos da lâmina (sem carga)	min. ⁻¹	2600	2600
Comprimento da lâmina	cm	60	60
Intervalo entre as lâminas	mm	19	19
Peso	kg	3,83	2,775
Bateria		BL2554	Unidade sem acessórios (sem bateria)
Tensão	V_{cc}	54	
Capacidade	Ah	1,5	
Tipo		Iões de lítio	
Carregador		BDC2A	Unidade sem acessórios (sem carregador)
Tensão de entrada	V_{ac}	220 - 230	
Voltagem de saída	V_{cc}	2000mA	
Corrente	mA	2000	
Tempo de carga aprox.	horas	2,75	

Nível de pressão acústica de acordo com a norma EN 60745:
Pressão acústica: (L_{pA}) 78 dB(A), imprecisão (K) 3 dB(A)
Potência acústica: GTC18504PC (L_{WA}) 92,5 dB(A) imprecisão (K) 2,5 dB(A)
Valores totais de vibração (soma vectores triax) de acordo com EN 60745:
Valor de emissão de vibração: GTC18504PC (a_{hv}) 2,7 m/s^2 , imprecisão (K) 1,5 m/s^2

Declaração de conformidade CE
DIRECTIVA “MÁQUINAS”
DIRECTIVA SOBRE RUÍDO EXTERIOR



Corta-sebes GTC5455PC, GTC5455PCB
A Black & Decker declara que os produtos descritos nos “dados técnicos” estão em conformidade com: 2006/42/CE, EN 60745-1:2009 + A11:2010, EN 60745-2-15:2009 +A1:2010
2000/14/CE, Corta-sebes 1300 min^{-1} , Anexo V
Potência acústica medida (L_{WA}) 92,5 dB(A)
Imprecisão (K) = 2,5 dB(A)
Potência acústica garantida (L_{WA}) 92,5 dB(A)

Estes produtos estão também em conformidade com a Directiva 2004/108/CE e 2011/65/UE. Para obter mais informações, contacte a

Black & Decker através do endereço seguinte ou consulte o verso do manual.

O signatário é responsável pela compilação do ficheiro técnico e efectua esta declaração em nome da Black & Decker.

Ray Laverick
Director de Engenharia
Black & Decker Europe, 210 Bath Road, Slough,
Berkshire, SL1 3YD
Reino Unido
23/09/2016

Garantia

A Black & Decker confia na qualidade dos seus produtos e oferece aos clientes uma garantia de 24 meses a partir da data de compra. Esta garantia é um complemento dos seus direitos estabelecidos por lei, não os prejudicando de forma alguma. A garantia é válida nos Estados-membros da União Europeia e nos países-membros da Zona Europeia de Comércio Livre.

Para accionar a garantia, esta deve estar em conformidade com os termos e condições da Black&Decker e terá de apresentar o comprovativo de compra ao vendedor ou a um agente de reparação autorizado. Os termos e condições da garantia de 2 anos da Black&Decker e a localização do agente de reparação autorizado mais próximo podem ser obtidos na Internet em www.2helpU.com ou contactando uma filial da Black & Decker, cuja morada está indicada neste manual.

Visite o nosso Website www.blackanddecker.co.uk para registar o novo produto Black & Decker e manter-se atualizado relativamente a novos produtos e ofertas especiais.

(Översättning av originalanvisningarna)

SVENSKA

Avsedd användning

Dina BLACK+DECKER™ GTC5455PC, GTC5455PCB häcksaxar är konstruerad för klippning av häckar, buskar och snår. Dessa verktyg är endast avsedda för konsumentbruk.

Säkerhetsinstruktioner

Allmänna säkerhetsanvisningar för elverktyg



Varning! Läs alla säkerhetsvarningar och instruktioner. Fel som uppstår till följd av att varningarna och instruktionerna som listas nedan inte följts kan orsaka elstötar, brand och/eller allvarliga kroppsskador.

Spara alla säkerhetsföreskrifter och anvisningar för framtida bruk. Termen “elverktyg” i varningarna syftar på ditt nätanslutna (med kabel) elverktyg eller batteridrivna (sladdlösa) elverktyg.

1. **Säkerhet på arbetsområdet**
 - a. **Se till att arbetsplatsen är obelamrad och välbelyst.** Stökiga eller mörka områden inbjuder till olyckor.
 - b. **Använd inte elverktyget i explosionsfarlig omgivning, t.ex. i närheten av brännbara vätskor, gaser eller damm.** Elverktyg skapar gnistor som kan antända damm eller ångor.
 - c. **Håll barn och andra personer på betryggande avstånd vid arbete med elverktyget.** Distractioner kan göra att du förlorar kontrollen.

2. Elsäkerhet

- a. **Elverktygets stickkontakt måste passa i eluttaget. Modifiera aldrig kontakten på något sätt. Använd inga adapterkontakter med jordanslutna (jordade) elektriska verktyg.** Icke modifierade kontakter och passande uttag minskar risken för elektrisk stöt.

- b. **Undvik kroppskontakt med jordade ytor, t.ex. rör, värmeelement, spisar och kylskåp.**
Det finns en ökad risk för elektrisk stöt om din kropp är jordansluten eller jordad.
- c. **Skydda elverktuget mot regn och väta.** Vatten som kommer in i ett elverktyg ökar risken för elektrisk stöt.
- d. **Hantera nätsladden varsamt. Använd aldrig sladden för att bära, dra eller koppla bort elverktuget från uttaget. Håll sladden borta från värme, olja, skarpa kanter eller rörliga delar.** Skadade eller tilltrasslade sladdar ökar risken för elektrisk stöt.
- e. **Använd endast förlängningssladdar som är godkända för utomhusbruk när du arbetar med elverktyg utomhus.** Användning av en sladd som är lämplig för utomhusbruk minskar risken för elektriska stötar.
- f. **Om du måste använda ett elverktyg på en fuktig plats ska du använda jordfelsbrytare.**
Användning av en jordfelsbrytare minskar risken för elektrisk stöt.
3. **Personlig säkerhet**
- a. **Var uppmärksam, se på vad du gör och använd elverktuget med förnuft. Använd inte ett elverktyg när du är trött eller påverkad av droger, alkohol eller mediciner.** Ett ögonblicks ouppmärksamhet när du arbetar med elektriska verktyg kan leda till allvarliga personskador.
- b. **Använd personlig skyddsutrustning. Använd alltid skyddsglasögon.** Skyddsutrustning såsom dammfilterskydd, halssäkra säkerhetsskor, skyddshjälm eller hörselskydd som används för lämpliga förhållanden minskar personskador.
- c. **Förhindra oavsiktlig start. Kontrollera att strömbrytaren står i avstängt läge innan du ansluter verktyget till elnätet eller sätter i batteriet, samt innan du tar upp eller bär verktyget.** Att bära elektriska verktyg med fingret på strömbrytaren eller att koppla strömmen till elektriska verktyg när strömbrytaren är på leder till olyckor.
- d. **Ta bort alla inställningsverktyg och skruvnycklar innan du startar elverktuget.** Ett verktyg eller en nyckel som har lämnats kvar på en roterande del av det elektriska verktyget kan orsaka kroppsskador.
- e. **Sträck dig inte för långt. Ha ordentligt fotfäste och balans hela tiden.** Detta möjliggör bättre kontroll av elverktuget i oväntade situationer.
- f. **Bär lämpliga kläder. Bär inte lösa kläder eller smycken. Håll hår, beklädnad och handskar borta från delar i rörelse.** Lösa kläder, smycken eller långt hår kan fastna i rörliga delar.
- g. **Om elverktuget har dammuppsugnings- och uppsamlingsutrustning kontrollerar du att den är monterad och används på korrekt sätt.** Användning av dammuppsamling kan minska dammrelaterade risker.
4. **Användning och skötsel av elverktyg**
- a. **Överbelasta inte elverktuget. Använd rätt elverktyg för ditt arbete.** Det korrekta elverktuget gör arbetet bättre och säkrare vid den hastighet för vilket det konstruerades.
- b. **Använd inte elverktuget om det inte kan startas och stängas av med strömbrytaren.** Ett elverktyg som inte kan kontrolleras med strömbrytaren är farligt och måste repareras.
- c. **Dra stickproppen ur vägguttaget och/eller ta ut batteriet ur elverktuget innan inställningar görs, tillbehörsdelar byts ut eller elverktuget ställs undan.** Sådana förebyggande säkerhetsåtgärder minskar risken att oavsiktligt starta elverktuget.
- d. **Förvara elverktyg utom räckhåll för barn och låt inte personer som inte är vana vid elverktuget eller som inte läst denna bruksanvisning använda det.** Elektriska verktyg är farliga i händerna på ovana användare.
- e. **Underhåll elverktyg. Kontrollera att rörliga komponenter fungerar felfritt och inte kärvar, att komponenter inte gått sönder eller skadats och inget annat föreligger som kan påverka elverktugets funktion. Om det är skadat, se till att elverktuget blir reparerat före användningen.** Många olyckor orsakas av dåligt underhållna elektriska verktyg.
- f. **Håll kapverktyg skarpa och rena.** Ordentligt underhållna kapverktyg med vassa skärtyr fastnar inte så lätt och är lättare att kontrollera.
- g. **Använd elverktyg, tillbehör, bits m.m. enligt dessa anvisningar och beakta arbetsvillkoren och det arbete som ska utföras.** Att använda elverktuget för något annat än det som det är avsett för, kan leda till en riskfylld situation.
5. **Användning och skötsel av batteridrivet verktyg**
- a. **Använd endast den laddare som är specificerad av tillverkaren.** En laddare som passar en batterityp kan medföra brandrisk om den används ihop med ett annat batteri.
- b. **Använd endast de batteripaket som är speciellt avsedda för elverktuget.** Användning av andra batteripaket kan leda till personskador eller eldsvåda.
- c. **När batteriet inte används ska du hålla det åtskilt från metallföremål som gem, mynt, nycklar, spik, skruvar och andra små metallföremål som kan orsaka kortslutning mellan batteriets poler.** Kortslutning av batteripolerna kan leda till brännskador eller eldsvåda.
- d. **Under olämpliga förhållanden kan vätska spruta ut från batteriet. Undvik kontakt. Vid oavsiktlig kontakt, spola med vatten. Om vätskan kommer i kontakt med ögonen, sök också läkarhjälp.** Vätska som sprutar ur batteriet kan orsaka sveda och brännskador.

6. Service

- a. **Låt en kvalificerad reparatör som bara använder originaldelar utföra service på elverktyget.** Detta säkerställer att elverktygets säkerhet bibehålls.

Ytterligare säkerhetsanvisningar för elverktyg



Varning! Ytterligare säkerhetsanvisningar för häcksaxar

- ◆ **Håll alla kroppsdelar borta från skärbladet. Ta inte bort klippmaterial och håll inte i material som ska klippas medan bladen rör sig. Kontrollera att strömbrytaren är av när du rensar fastnat material.** När verktyget används kan ett ögonblicks ouppmärksamhet leda till allvarliga kroppsskador.
- ◆ **Bär häcksaxen i handtaget medan den är avstängd. Se alltid till att svärdskyddet är på under transport eller förvaring.** Rätt hantering av häcktrimmern minskar risken för kroppsskador av klippbladen.
- ◆ **Håll endast elverktyget i de isolerade greppytorna eftersom det finns risk för att hyvelstålet kommer i kontakt med dolda elledningar.** Om skärbladen får kontakt med strömförande ledningar kan verktygets metalldelar bli strömförande och ge dig en elektrisk stöt.
- ◆ **Avsedd användning** beskrivs i denna bruksanvisning. Om andra tillbehör eller tillsatser används, eller om någon annan verksamhet än den som rekommenderas i den här bruksanvisningen genomförs med verktyget, kan personer och/eller egendom ta skada.
- ◆ Bär inte verktyget med händerna på det främre handtaget eller strömbrytarna såvida inte batteriet har tagits ut.
- ◆ Om du inte har använt häcksax förut bör du rådfråga någon med erfarenhet samt läsa denna bruksanvisning.
- ◆ Vidrör aldrig bladen medan verktyget är igång.
- ◆ Försök aldrig tvinga bladen att stanna.
- ◆ Lägg inte ned verktyget förrän bladen har stannat helt.
- ◆ Kontrollera regelbundet att bladen inte har skadats eller är slitna. Använd inte verktyget om bladen är skadade.
- ◆ Undvik hårda föremål (t.ex. stålträdsstaket och räckan) när du klipper. Om du skulle råka komma åt något sådant föremål måste du omedelbart stänga av verktyget och kontrollera eventuella skador.
- ◆ Om verktyget skulle börja vibrera onormalt måste du omedelbart stänga av det och ta bort batteriet och sedan kontrollera efter eventuella skador.
- ◆ Stäng av verktyget direkt om det kör fast. Innan du försöker ta bort objekt som fastnat måste du ta ut batteriet.
- ◆ Montera det medföljande bladskyddet över bladen efter användning. Förvara verktyget så att bladen inte exponeras.
- ◆ Se till att alla skydd alltid sitter på när du använder verktyget.

Försök aldrig att använda ett ofullständigt verktyg med icke auktoriserade ändringar.

- ◆ Låt aldrig barn använda verktyget.
- ◆ Se upp för nedfallande bråte när du klipper höga häckar.
- ◆ Verktyget ska endast hållas med händerna och i handtagen.

Andras säkerhet

- ◆ Denna apparat är inte avsedd att användas av personer (inklusive barn) med reducerad fysisk, sensorisk eller mental förmåga eller med begränsad erfarenhet eller kunskap såvida inte de är under uppsikt eller fått instruktioner om användning av apparaten av en person som är ansvarig för deras säkerhet.
- ◆ Barn ska hållas under uppsikt så att de inte leker med verktyget.

Övriga risker.

Ytterligare risker som inte finns med i de bifogade säkerhetsanvisningarna kan uppstå när verktyget används. Dessa risker kan uppstå vid felaktig eller långvarig användning, etc. Även om alla relevanta säkerhetsanvisningar följs och säkerhetsanordningar används kan vissa ytterligare risker inte undvikas. Dessa omfattar:

- ◆ Skador orsakade av att roterande/rörliga delar vidrörs.
- ◆ Skador som uppstår vid byte av delar, blad eller tillbehör.
- ◆ Skador som orsakas av långvarig användning av ett verktyg. Se till att regelbundet ta vilopauser när du använder ett verktyg under en längre period.
- ◆ Hörselnedsättning.
- ◆ Hälsorisker orsakade av inandning av damm när redskapet används (exempel: arbete med trä, särskilt ek, bok och MDF.)

Vibrationer

De vibrationsvärden som anges i avsnitten Tekniska data och deklarationen om överensstämmelse har uppmätts i enlighet med en standardtestmetod föreskriven i EN 60745 och kan användas för jämförelse med andra verktyg. Det angivna vibrationsvärdet kan även användas för en preliminär bedömning av exponeringen.

Varning! Vibrationsvärdet under faktisk användning av elverktyget kan skilja sig från det uppgivna värdet beroende på hur verktyget används. Vibrationsnivån kan överstiga den uppgivna nivån.

Vid uppskattningar av exponering för vibrationer i syfte att bedöma vilka säkerhetsåtgärder som är nödvändiga enligt 2002/44/EG för att skydda personer som regelbundet använder elverktyg i arbetet ska man utgå från de faktiska omständigheter under vilka elverktyget används och sättet på vilket det används.

Bedömningen ska även ta hänsyn till alla moment i arbetscykeln, t.ex. när verktyget är avstängt och när det går på tomgång såväl som när det faktiskt används.

Etiketter på verktyget

Följande varningssymboler finns på verktyget, tillsammans med datumkoden:



Varning! Läs bruksanvisningen före användning för att minska risken för personskador.



Bär alltid skydds- eller korgglasögon när du använder verktyget.



Bär alltid hörselskydd när du använder verktyget.



Utsätt inte verktyget för regn och väta.



Garanterad ljudnivå enligt direktiv 2000/14/EG.

Ytterligare säkerhetsinstruktioner för batterier och laddare

Batterier

- ◆ Försök aldrig öppna batteriet.
- ◆ Utsätt inte batteriet för vatten.
- ◆ Förvara inte apparaten på platser där temperaturen kan bli högre än 40 °C.
- ◆ Ladda endast vid temperaturer mellan 10 °C och 40 °C.
- ◆ Ladda endast med hjälp av laddaren som medföljer verktyget.
- ◆ Följ instruktionerna som anges i avsnittet "Skydda miljön" när du kastar batterierna.



Försök inte ladda skadade batterier.

Laddare

- ◆ Använd endast laddaren från BLACK+DECKER för att ladda batteriet i det apparat som laddaren levererades med. Andra batterier kan spricka och orsaka personskador och andra skador.
- ◆ Försök aldrig ladda batterier som inte är uppladdningsbara.
- ◆ Byt defekta sladdar omgående.
- ◆ Utsätt inte laddaren för vatten.
- ◆ Öppna inte laddaren.
- ◆ Gör ingen åverkan på laddaren.



Laddaren är endast avsedd för inomhusanvändning.



Läs bruksanvisningen före användning.

Viktigt: Endast följande laddare skall användas för att ladda 54 V batteriet BL1554 och BL2554:
90589867, 90621477, 90590287-01, 90590289-01, 90602042-01, 90590287-02, 90590289-02, 90599854-02, 90599854-06, 90599853-05, 90634971, 90634972, 90634973, 90642266, 90642264, 90642265, BDC2A

Elsäkerhet



Eftersom laddaren är dubbelisolerad behövs ingen jordledare. Kontrollera alltid att nätspänningen överensstämmer med spänningen på typskylten. Försök aldrig byta ut laddaren mot en vanlig nätkontakt.

- ◆ Om nätsladden är skadad måste den bytas ut av tillverkaren eller ett auktoriserat BLACK+DECKER servicecenter för att undvika fara.

Funktioner

Det här verktyget har några eller samtliga av följande funktioner.

1. Strömbrytare
2. Låsreglage
3. Handtag
4. POWERCOMMAND knapp
5. Bladskydd
6. Säkerhetsbygel
7. Blad
8. Sågklinga
9. Sägbladsfot
10. Dualvolt batteripaket (endast med GTC5455PC-enheten).
11. Dualvolt batteripaket (endast med GTC5455PC-enheten).
12. Laddare (endast med GTC5455PC-enheten).

Montering

Varning! Ta bort batteriet från verktyget och sätt bladskyddet över bladen innan monteringen inleds.

Varning! Innan du monterar häcksaxen ska du kontrollera att verktyget är avstängt och att bladskyddet sitter på.

Varning! Använd aldrig verktyget utan skyddet.

Laddningsförlopp

BLACK+DECKER laddare är designade för att ladda BLACK+DECKER batteripaket.

- ◆ Koppla in laddaren (12) i ett lämpligt uttag innan batteripaketet sätts i.

- ◆ Sätt i batteripaketet i laddaren på det sätt som visas i bild A.
- ◆ Den gröna LED (12a) blinkar vilket indikerar att batteriet laddas.
- ◆ När laddningen är klar indikeras detta av att den gröna LED (12a) lyser kontinuerligt. Batteriet är fulladdat och kan nu användas eller lämnas i laddaren.

Notera: Ladda urladdade batterier så snart som möjligt efter användning, i annat fall kan batterilivslängden minska betydligt. För att uppnå maximal batterilivslängd bör du inte ladda ur batteriet helt och hållet. Vi rekommenderar att du laddar batterierna efter varje användning.

Lämna batteriet i laddaren

Laddaren (12) och batteripaketet (11) kan vara ansluten till vägguttaget hur länge som helst när indikatorn lyser. Laddaren ser till att batteriet hålls fräscht och fulladdat.

Viktiga anmärkningar gällande laddning

- ◆ Längsta livslängd och bästa prestanda uppnås om batteripaketet laddas då lufttemperaturen är mellan 18 °C och 24 °C. Ladda INTE batteripaketet i lufttemperaturer under +4,5 °C eller över +40,5 °C. Detta är viktigt eftersom det förhindrar allvarlig skada på batteripaketet.
- ◆ Laddaren och batteripaketet kan bli för varma att vidröra under laddningen. Detta är normalt och indikerar inte något problem. För att möjliggöra kylning av batteripaketet, undvik att placera laddaren eller batteripaketet på en varm plats såsom i ett metallskjul eller i en oisolerad vagn.
- ◆ Om batteripaketet inte laddas korrekt:
 - ◆ Kontrollera eluttaget genom att ansluta en lampa eller någon annan apparat.
 - ◆ Kontrollera om uttaget är anslutet till en strömbrytare som stänger av strömmen när du tänder lamporna.
 - ◆ Flytta laddaren och batteripaketet till en plats där den omgivande temperaturen är ungefär 18 °C- 24 °C.
 - ◆ Om laddningsproblemen kvarstår, lämna verktyget, batteripaketet och laddaren till ditt lokala servicecenter.
- ◆ Batteripaketet måste laddas när de inte längre kan producera tillräckligt med energi för jobb som enkelt utfördes tidigare. FORTSÄTT INTE att använda det under dessa förhållanden. Följ laddningsproceduren. Du kan också ladda ett delvis använt paket när du så önskar utan att det har någon negativ effekt på batteripaketet.
- ◆ Främmande föremål som är ledande såsom, men inte begränsat till, stålull, aluminiumfolie eller ansamling av metallpartiklar bör hållas borta från laddningshållrummet. Koppla alltid ifrån laddaren från eluttaget när det inte finns något batteripaket i facket. Koppla ifrån laddaren vid rengöring.
- ◆ Frys inte eller sänk ned laddaren i vatten eller annan vätska.

Varning! Låt ingen vätska komma in i laddaren. Försök aldrig att öppna batteripaketet av någon anledning. Om plasthöljet på batteripaketet går sönder eller spricker, lämna det till ett servicecenter för återvinning.

Laddningsstatusindikator (bild B)

Batteriet är utrustat med en indikator för laddningsstatus. Den kan användas för att visa aktuell laddningsnivå i batteriet under användning och under laddning. Den indikerar inte verktygets funktionalitet och kan variera beroende på produktkomponenter, temperatur och slutanvändarens användning.

Kontrollera laddningsnivån under användningen

- ◆ Tryck på statusknappen för laddningsindikatorn (B1).
- ◆ De tre lysdioderna (B2) kommer att lysa för att indikera laddningsprocenten i batteriet. Se tabell i bild A.
- ◆ Om LED-lampan inte lyser, ladda batteriet.

Laddardiagnostik (bild E)

Se indikatorerna i bild E för laddningsstatus för batteripaketet.

Dåligt batteri

Om du ser detta blinkmönster för dåligt batteri, fortsätt då inte att ladda batteriet. Returnera det till ett servicecenter eller lämna det till batteriinsamlingen.

Varm/kall fördröjning

När laddaren upptäcker ett batteripaket som är för hett eller för kallt kommer den automatiskt att starta en Het/kall paketfördröjning, skjuta upp laddningen tills batteripaketet har nått en lämplig temperatur. Laddaren växlar sedan automatiskt till paketladdningsläget.

Denna funktion garanterar maximal batteripaketets livslängd. Ett kallt batteri kommer att ladda med en lägre hastighet jämfört med ett varmt batteripaket. Paketet kommer att laddas med en lägre hastighet genom hela laddningscykeln och kommer inte att återgå till maximal laddningshastighet även om batteriet blir varmt.

Montering och borttagning av batteripaketet från verktyget

Varning! Innan du sätter i eller tar ut batterierna ska du kontrollera att låsreglaget är i låst läge, så att du inte råkar sätta på verktyget av misstag.

Installera batteripaket (bild C)

- ◆ Sätt in batteriet (10) i verktygsfoten tills ett hörbart klick hörs (bild C)
- ◆ Se till att batteripaketet sitter helt på plats och är låst i positionen.

Ta bort batteripaketet (bild D)

- ◆ Tryck ned batterilåsknappen (10a) såsom visas i bild D och dra bort batteripaketet (10) från verktyget.

Dualvolt 54 V Batteripaket (bild F)

Dualvolt 54V batteripaketet kan användas med 54V och 18V Black+Decker sladdlösa verktyg. Batteriet kan känna av verktyget som det är insatt i och kommer att köra med den relevanta effekten och tillhandahålla längre körtid i 18V verktyg. Det finns en statusknapp för laddningen (16b) som kommer att indikera laddningsnivån för både 54V och 18V.

Drift

- ◆ För att slå på enheten, tryck ner låsknappen (2), kläm in avtryckaren (1) och tryck ner bygelhandtaget med dubbel brytare (6) såsom visas i bild G. När enheten går kan du släppa låsknappen. För att hålla enheten i gång måste du hela tiden klämma på avtryckaren.

Varning! Försök aldrig låsa eller fixera strömbrytaren i påslaget läge.

Klippningsanvisningar

- ◆ Se till att du alltid har säkert fotfäste och balans och inte sträcker dig för långt. Använd skyddsglasögon och halksäkra skor när du klipper. Håll enheten stadigt med båda händerna och slå PÅ enheten. Håll alltid i häcksaxen på det sätt som illustrationerna i denna bruksanvisning visar, med en hand på avtryckaren och en hand på bygelhandtaget (bild G). Håll aldrig enheten i bladskyddet.

Klippa ny vegetation (bild H)

- ◆ En vid, svepande rörelse som matar in bladets tänder genom kvistarna är effektivast. Att rikta bladets en aning nedåt i rörelseriktningen ger bäst klippningsresultat.

Varning! Klipp inte kvistar som är tjockare än 19mm. Använd häcksaxen endast för att klippa normalt buskage i närheten av hus och byggnader.

Jämna häckhöjden (bild I)

- ◆ För att åstadkomma extremt jämna häckar kan ett snöre spännas längs häcken som guide.

Klippa häcksidor (bild J)

- ◆ Håll häcksaxen på det sätt som visas och börja nedifrån och svep uppåt.

POWERCOMMAND (bild K)

Om det krävs, tryck in POWERCOMMAND knappen (4) som visas i bild K. Bladen kommer att röra sig fram och tillbaka i en långsammare, men kraftfullare rytm för att kunna klippa igenom de problematiska grenarna. Släpp knappen för att återgå till normal klippning.

Notera: När knappen släpps, kommer bladen omedelbart att gå med full hastighet igen.

Notera: Bladen stannar om knappen hålls intryckt i 15 sekunder. För att aktivera POWERCOMMAND funktionen igen, släpp knappen och tryck sedan in den igen. HÅLL INTE medvetet POWERCOMMAND knappen intryckt vid normal häckklippning.

Sågblad (bild L)

Använd sågbladet (8) vid för stora grenar att klippa för bladet (7). Placera sågbladet så nära grenens fäste som möjligt. Placera sågbladsfoten (9) mot grenen. Slå på häcksaxen enligt beskrivningen ovan, låt sedan verktyget arbeta i sin egen takt tills grenen är helt avklippt.

Underhåll

Din/ditt kabelanslutna/sladdlösa BLACK+DECKER-apparat/verktyg är konstruerad/konstruerat för att fungera en lång tid med minsta möjliga underhåll. Kontinuerlig tillfredsställande drift beror på ordentlig verktygsvård och regelbunden rengöring.

Varning! Innan något underhåll utförs på sladdanslutna/sladdlösa elverktyg:

- ◆ Stäng av apparaten/verktyget och dra ur nätkontakten.
- ◆ Du kan också ta ut batteriet ur apparaten/verktyget om apparaten/verktyget har ett separat batteri.
- ◆ Om batteriet är inbyggt låter du det laddas ur helt innan avstängningen.
- ◆ Dra ur sladden till laddaren innan du rengör den. Laddaren behöver inget annat underhåll än regelbunden rengöring.
- ◆ Rengör regelbundet apparatens/verktygets/laddarens luftintag med en mjuk borste eller torr trasa.
- ◆ Rengör motorhöljet regelbundet med en fuktig trasa. Använd aldrig något slipande eller lösningsmedelbaserat rengöringsmedel.
- ◆ Rengör bladen noga efter användning. Lägg på en film lätt smörjolja efter rengöringen, så att bladen inte rostar.

Häcksaxens blad är tillverkade av härdat stål av hög kvalitet och behöver inte vässas vid normal användning. Men om du i misstag klipper i ett trädstängsel, glas eller andra hårda objekt, kan det uppstå ett hack blad.

Det är inte nödvändigt att avlägsna detta hack så länge det inte stör bladets rörelse. Om det stör, avlägsna batteriet och använd en fintandad fil eller en slipsten för att avlägsna hacket.

Om du tappar häcksaxen, kontrollera noggrant att den inte är skadad. Om bladet är böjt, höljet sprucket, handtagen trasiga eller om du lägger märke till något annat som påverka häcksaxens funktion, ta kontakt med ditt lokala BLACK+DECKER Service Center för att få den reparerad innan du använder den igen. Gödningsmedel och andra trädgårdskemikalier innehåller ämnen som i hög grad påskyndar korrosion av metaller.

Förvara inte enheten på eller i närheten av gödningsämnen eller kemikalier. Med borttaget batteri, använd endast mild tvål och en fuktig trasa för att rengöra enheten. Låt aldrig någon vätska komma in i apparaten och doppa den aldrig i någon vätska. Skydda bladen mot rost genom att applicera en tunn oljefilm på dem efter rengöringen.

Byte av elkontakten (endast Storbritannien. & Irland)

Om en ny elkontakt måste monteras:

- ◆ Gör dig av med den gamla kontakten på lämpligt sätt.
- ◆ Anslut den bruna ledningen till den strömförande anslutningen i den nya kontakten.
- ◆ Anslut den blå ledningen till den icke strömförande anslutningen (neutral/nolla).

Varning! Ingenting bör kopplas till jordanslutningen. Följ de monteringsanvisningar som följer med kontakter av god kvalitet. Rekommenderad säkring: 5 A.

Felsökning		
Problem	Möjlig orsak	Möjlig lösning
Går långsamt, bladen för ojudd eller är heta.	Torra, rostiga blad.	Smörj bladen.
	Bladet eller bladets fäste är böjt.	Räta ut bladet eller bladets fäste.
	Böjda eller skadade tänder.	Räta ut tänderna.
	Bladbultar lösa.	Spänn fast bladbultarna.
Enheten startar inte.	Batteriet är inte korrekt installerat.	Kontrollera batteriets installation.
	Batteriet är inte laddat.	Se till att batteriet är ordentligt laddat.
	Låsknappen har inte tryckts in ordentligt.	Kontrollera att låsknappen är helt intryckt innan huvudavtryckaren kläms in.
Batteriet laddas inte	Batteriet är inte isatt i laddaren.	Sätt i batteriet i laddaren tills en grön LED tänds. Ladda upp till 8 timmar om batteriet är helt tomt.
	Laddaren är inte ansluten till elnätet.	Anslut laddaren till ett fungerande eluttag. Se "Viktiga anmärkningar gällande laddning" för närmare information. Kontrollera eluttaget genom att ansluta en lampa eller någon annan apparat. Kontrollera om uttaget är anslutet till en strömbrytare som stänger av strömmen när du släcker ljuset.
	Omgivande temperatur är för varm eller för kall.	Flytta laddaren och verktyget till en plats där temperaturen i den omgivande luften är över 4,5°C eller under +40,5°C.

Återvinn elektriska produkter och batterier enligt lokala bestämmelser.

Tekniska data

		GTC5455PC	GTC5455PCB
Spänning	V_{DC}	54	54
Slag per min (obelastad)	min^{-1}	2600	2600
Knivlängd	cm	60	60
Tandavstånd	mm	19	19
Vikt	kg	3.83	2.775
Batteri		BL2554	Bara enheten (Inget batteri)
Spänning	V_{DC}	54	
Kapacitet	Ah	1.5	
Typ		Li-jon	
Laddare		BDC2A	Bara enheten (ingen laddare)
Inspänning	V_{AC}	220 - 230	
Utspanning	V_{DC}	2000mA	
Strömstyrka	mA	2000	
Laddningstid cirka	tim	2.75	

Ljudtrycksnivå enligt EN 60745:

Ljudtryck (L_{pA}) 78 dB(A), osäkerhet (K) 3 dB(A)

Ljudeffekt: GTC18504PC (L_{WA}) 92.5 dB(A) osäkerhet (K) 2.5 dB(A)

Totala vibrationsvärden (vektorsumman av tre axlar) enligt EN 60745:

Vibrationsemissionsvärde: GTC18504PC (a_{hV}) 2.7 m/s^2 , osäkerhet (K) 1.5 m/s^2

EG-försäkran om överensstämmelse

MASKINDIREKTIV
BULLERFÖRESKRIFTER, UTOMHUS



GTC5455PC, GTC5455PCB Häcksax

Skydda miljön



Separat insamling. Produkter och batterier som är markerade med denna symbol får inte kastas i de vanliga hushållsoporna.

Produkter och batterier innehåller material som kan återanvändas eller återvinnas för att minska behovet av råmaterial.

Black & Decker försäkrar att dessa produkter, beskrivna under "tekniska data" uppfyller:
2006/42/EC, EN 60745-1:2009 + A11:2010, EN 60745-2-15:2009 + A1:2010

2000/14/EC, Hedge trimmer 1300min⁻¹, Bilaga V

Uppmått ljudnivå (L_{pA}) 92,5 dB(A)

Osäkerhet (K) 2,5 dB(A)

Uppmått ljudnivå (L_{pA}) 92,5 dB(A)

De här produkterna överensstämmer även med direktiven 2004/108/EG och 2011/65/EU. För ytterligare information, kontakta Black & Decker på följande adress eller se baksidan av bruksanvisningen.

Undertecknad är ansvarig för sammanställningen av tekniska data och gör denna försäkran för Black & Decker.



Ray Laverick
Director of Engineering
Black & Decker Europe, 210 Bath Road, Slough,
Berkshire, SL1 3YD
Storbritannien
2016-09-23

Garanti

Black & Decker är säker på kvaliteten hos denna produkt och erbjuder kunder 24 månaders garanti från inköpsdatumet. Garantin gäller utöver konsumentens rättigheter enligt lag och påverkar inte dessa. Garantin är giltig i de territorier som tillhör medlemsstaterna i Europeiska unionen och det europeiska frihandelsområdet.

För yrkande under garantin måste yrkandet vara i enlighet med Black&Deckers villkor och du kommer att behöva skicka in bevis på köpet till försäljaren eller en auktoriserad reparatör. Villkoren för Black&Deckers tvååriga garanti och var du hittar din närmaste auktoriserade reparatör kan erhållas på internet på www.2helpU.com, eller genom att kontakta ditt lokala Black & Decker kontor på adressen som angetts i denna bruksanvisning.

Besök vår webbplats www.blackanddecker.se för att registrera din nya Black & Decker-produkt samt för att få information om nya produkter och specialerbjudanden.

Tiltentk bruk

BLACK+DECKER™ GTC5455PC og GTC5455PCB hekksaksler er designet for trimming av hekker, busker og kratt. Disse verktøyene er bare ment som forbrukerverktøy.

Sikkerhetsinstruksjoner

Generelle sikkerhetsadvarsler for elektroverktøy



Advarse!! Les alle sikkerhetsadvarsler og alle instruksjoner. Hvis advarslene og anvisningene nedenfor ikke overholdes, kan det medføre elektrisk støt, brann og/eller alvorlige personskader.

Ta vare på alle advarsler og instruksjoner for fremtidig bruk. Begrepet "elektroverktøy" i advarslene gjelder nettdrevet elektroverktøy (med ledning) eller batteridrevet elektroverktøy (uten ledning).

1. Sikkerhet i arbeidsområdet

- Hold arbeidsområdet rent og godt opplyst.** Rotete eller mørke områder er en invitasjon til ulykker.
- Ikke arbeid med elektroverktøy i eksplosjonsfarlige omgivelser, for eksempel der det befinner seg brennbare væsker, gass eller støv.** Elektrisk verktøy skaper gnister som kan antenne støv eller gasser.
- Hold barn og andre personer unna når du bruker et elektroverktøy.** Distraksjoner kan føre til at du mister kontrollen.

2. Elektrisk sikkerhet

- Støpselet til elektroverktøy må passe til stikkkontakten. Aldri modifier støpselet på noen måte. Ikke bruk adapterstøpsler til jordede elektriske verktøy.** Umodifiserte støpsler og stikkontakter som passer vil redusere risikoen for elektrisk sjokk.
- Unngå kroppskontakt med jordede overflater som rør, radiatorer, komfyrer og kjøleskap.** Det er økt risiko for elektrisk støt dersom kroppen din er jordet.
- Ikke utsett elektroverktøy for regn eller fuktighet.** Dersom det kommer vann inn i et elektrisk verktøy vil det øke risikoen for elektrisk sjokk.
- Unngå uforvarlig behandling av ledningen. Aldri bruk ledningen til å bære, trekke eller dra ut støpselet til det elektriske verktøyet. Hold ledningen borte fra varme, olje, skarpe kanter eller bevegelige deler.** Skadede eller innviklede ledninger øker risikoen for elektrisk sjokk.
- Når du bruker et elektroverktøy utendørs, må du bruke en skjøteledning som er egnet til utendørs bruk.** Bruk av en skjøteledning beregnet for utendørs bruk reduserer risikoen for elektrisk støt.

- f. Hvis du ikke kan unngå å bruke elektroverktøy på et fuktig sted, må du bruke en strømforsyning som er beskyttet med jordfeilbryter.
Bruk av jordfeilbryter (RCD) reduserer risikoen for elektrisk sjokk.
3. Personikkerhet
- a. Vær oppmerksom, pass på hva du gjør, og vis fornuft når du arbeider med et elektroverktøy. Ikke bruk et elektrisk verktøy dersom du er trøtt eller er påvirket av medikamenter, narkotika eller alkohol. Ett øyeblikks uoppmerksomhet under bruk av elektriske verktøy kan føre til alvorlig personskade.
- b. Bruk personlig verneutstyr. Bruk alltid vernebriller. Verneutstyr slik som støvmaske, skliskure vernesko, hjelm, eller hørselsvern brukt under passende forhold vil redusere personskader.
- c. Forhindre utilsiktet start. Kontroller at bryteren står i posisjon "av" før du kobler til strømkilden og/eller batteripakken, og før du tar opp eller bærer verktøyet. Å bære elektriske verktøy med fingeren på bryteren eller å sette inn støpselet mens elektriske verktøy har bryteren på øker faren for ulykker.
- d. Fjern eventuelt innstillingsverktøy eller skruverktøy før du slår på elektroverktøyet. Et skruverktøy eller en nøkkel som fortsatt er festet til en roterende del av elektroverktøyet, kan føre til personskade.
- e. Ikke strekk deg for langt. Ha godt fotfeste og stå støtt hele tiden. Dette fører til at du har bedre kontroll over det elektriske verktøyet ved uventede situasjoner.
- f. Bruk egnede klær. Ikke ha på deg løstsittende klær eller smykker. Hold hår, antrekk og hansker borte fra bevegelige deler. Løstsittende klær, smykker og langt hår kan bli fanget opp av bevegelige deler.
- g. Hvis det kan monteres støvavsug- og oppsamlingsinnretninger, må du forvise deg om at disse er tilkoblet og brukes på riktig måte. Bruk av støvoppsamlere kan redusere støvrelaterede farer.
4. Bruk og behandling av elektroverktøy
- a. Ikke bruk makt på elektroverktøyet. Bruk det elektriske verktøyet som situasjonen krever. Det riktige elektriske verktøyet vil gjøre jobben bedre og tryggere ved den hastigheten det ble konstruert for.
- b. Ikke bruk elektroverktøyet hvis du ikke kan slå det på og av med bryteren. Ethvert elektrisk verktøy som ikke kan kontrolleres med bryteren er farlig og må repareres.
- c. Trekk støpselet ut av stikkkontakten og/eller koble fra batteripakken på elektroverktøyet før du utfører innstillinger, bytter tilbehør eller legger elektroverktøyet bort. Slike preventive sikkerhetsforanstaltninger reduserer risikoen for å starte det elektriske verktøyet ved et uhell.
- d. Elektroverktøy som ikke er i bruk, må oppbevares utilgjengelig for barn. Ikke la verktøyet bli brukt av personer som ikke er fortrolige med det, eller som ikke kjenner disse instruksjonene. Elektriske verktøy er farlige i hendene på utrenede brukere.
- e. Sørg for vedlikehold av elektroverktøy. Undersøk om bevegelige deler er feiljustert eller blokkert, om deler er skadet, og om det er andre forhold som kan påvirke elektroverktøyet funksjon. Dersom det er skadet, få verktøyet reparert før neste bruk. Mange ulykker forårsakes av dårlig vedlikeholdte verktøy.
- f. Hold skjæreverktøy skarpe og rene. Godt vedlikeholdte skjæreverktøy med skarpe skjærekanten setter seg mindre sannsynlig fast og er lettere å kontrollere.
- g. Bruk elektroverktøy, tilbehør, bor osv. i henhold til disse instruksjonene. Ta hensyn til arbeidsforholdene og arbeidet som skal utføres. Bruk av det elektriske verktøyet for oppgaver som er forskjellige fra de som er tiltenkt kan føre til en farlig situasjon.
5. Bruk og stell av batteriverktøy
- a. Ladningen skal bare skje med den laderen som produsenten har spesifisert. En lader som passer for en type batteripakke kan føre til risiko for brann dersom den brukes på en annen batteripakke.
- b. Bruk elektroverktøy bare sammen med spesifikt angitte batteripakker. Bruk av andre batteripakker kan føre til risiko for personskade og brann.
- c. Når batteripakken ikke er i bruk, må du oppbevare den atskilt fra andre metallgjenstander som binders, mynter, nøkler, spiker, skruer eller andre små metallgjenstander som kan opprette en forbindelse fra en terminal til en annen. Kortslutning av batteripolene mot hverandre kan føre til brannskader eller brann.
- d. Ved feilaktig bruk kan det komme væske ut av batteriet, unngå kontakt med den. Dersom du kommer i kontakt med den, skyll av med vann. Dersom du får væsken i øynene, søk legehjelp. Væske som kommer ut av batteriet kan føre til irritasjon eller brannskader.
6. Service
- a. Elektroverktøy skal repareres av kvalifisert personell og bare med originale reservedeler. Dette vil sikre at verktøyet sikkerhet blir ivaretatt.

Ytterligere sikkerhetsadvarsler for elektroverktøy



Advarsel! Ytterligere sikkerhetsadvarsler for heksaksler

- ◆ Hold alle deler av kroppen borte fra skjærebladet. Når bladene beveger seg, må du ikke fjerne skåret materiale eller holde materiale som skal skjæres.

Pass på at bryteren er av når du fjerner materiale som sitter fast. Et øyeblikks uoppmerksomhet under bruk av verktøyet kan føre til alvorlige personskader.

- ◆ **Bær heksaksen i håndtaket med skjærebladet stanset. Ved transport eller oppbevaring av heksaksen skal dekslet for skjæreenheten alltid sitte på.** Ved riktig behandling av heksaksen reduseres mulige personskader på grunn av skjærebladene.
- ◆ **Hold elektroverktøyet bare i de isolerte grepsflatene, fordi bladet kan komme i kontakt med skjulte ledninger.** Hvis skjæreblad kommer i kontakt med en strømførende ledning, kan frittliggende metalldeleer på verktøyet bli strømførende, og brukeren kan få elektrisk støt.
- ◆ Bruksrådet er beskrevet i denne bruksanvisning. Bruk av tilbehør eller utføring av oppgaver som ikke er anbefalt for verktøyet i denne håndboken, kan medføre fare for personskade og/eller skade på eiendom.
- ◆ Du må ikke bære verktøyet med hånden på håndtaket foran, bryteren på håndtaket foran eller utløserbryteren med mindre batteriet er tatt ut.
- ◆ Hvis du ikke har brukt en elektrisk heksaks før, bør du få veiledning av en erfaren bruker i tillegg til å studere denne håndboken.
- ◆ Berør aldri bladene når verktøyet er i gang.
- ◆ Prøv aldri å stanse bladene med makt.
- ◆ Ikke sett verktøyet ned før bladene er stanset helt.
- ◆ Kontroller jevnlig om bladene er skadet eller slitt. Ikke bruk verktøyet når bladene er skadet.
- ◆ Pass på at du unngår harde gjenstander (blant annet metalltråd og gjerder) når du bruker verktøyet. Hvis du treffer slike gjenstander ved et uhell, slår du av verktøyet straks og kontrollerer om det er skadet.
- ◆ Hvis verktøyet begynner å vibrere unormalt, må du slå det av straks, ta ut batteriet og deretter kontrollere om det er skadet.
- ◆ Hvis verktøyet steiler, slår du det av straks. Ta ut batteriet før du prøver å fjerne eventuelle hindringer.
- ◆ Etter bruk må du plassere bladbeskytteren som følger med, over bladene. Pass på at bladene er beskyttet når du oppbevarer verktøyet.
- ◆ Pass på at all beskyttelse er montert når du bruker verktøyet. Du må aldri forsøke å bruke et verktøy som ikke er komplett, eller hvor det er foretatt endringer som ikke er godkjent.
- ◆ La aldri barn bruke verktøyet.
- ◆ Vær oppmerksom på rusk som faller ned, når du skjærer en høy hekk.
- ◆ Hold alltid verktøyet med begge hender i håndtakene som er beregnet for dette.

Andre personers sikkerhet

- ◆ Dette apparatet er ikke ment for bruk av personer (inkludert barn) med redusert fysiske, sensoriske eller mentale evner, eller mangel på erfaring og kunnskap, med mindre de får tilsyn eller har blitt opplært i bruk av apparatet av en person ansvarlig for deres sikkerhet.
- ◆ Barn må holdes under oppsyn, sørg for at de ikke leker med apparatet.

Andre risikoer.

Når verktøyet brukes, kan det oppstå ytterligere risikoer som kanskje ikke er beskrevet i de medfølgende sikkerhetsadvarslene. Disse risikoene kan bli forårsaket av feil bruk, langvarig bruk osv.

Selv om de relevante sikkerhetsbestemmelsene blir fulgt, og sikkerhetstiltakene blir gjennomført, kan visse gjenværende risikoer ikke unngås. Disse inkluderer:

- ◆ Personskader som forårsakes av berøring av en roterende/bevegelig del.
- ◆ Personskader som oppstår ved skifte av deler, blader eller tilbehør.
- ◆ Personskader som skyldes for lang tids bruk av verktøyet. Når du bruker et verktøy i lange perioder, må du sørge for å ta regelmessige pauser.
- ◆ Hørselskader.
- ◆ Helsefarer forårsaket av innånding av støv som utvikler seg når du bruker verktøyet (eksempel: arbeid med tre, spesielt eik, bøk og MDF.)

Vibrasjon

Vibrasjonsemisjonsverdien som er angitt under tekniske data og samsvarserklæring, er blitt målt i henhold til en standard testmetode som er angitt i EN 60745, og kan brukes til å sammenligne et verktøy med et annet. Den oppgitte vibrasjonsemisjonsverdien kan også brukes til en foreløpig vurdering av eksponering.

Advarsel! Vibrasjonsemisjonsverdien under faktisk bruk av elektroverktøyet kan avvike fra den oppgitte verdien avhengig av måten verktøyet blir brukt på. Vibrasjonsnivået kan øke over nivået som er oppgitt.

Når det vurderes vibrasjonseksponering for å avgjøre hvilke sikkerhetstiltak som kreves ifølge 2002/44/EF, for å beskytte personer som bruker elektroverktøy regelmessig til arbeidsformål, skal det, når vibrasjonseksponeringen anslås, tas hensyn til de faktiske bruksforholdene og måten verktøyet blir brukt på. Dette inkluderer å ta hensyn til alle deler av brukssyklusen, for eksempel når verktøyet er avslått, når det går på tomgang og når utløseren er trykket inn.

Etiketter på verktøyet

Følgende symboler vises på verktøyet sammen med datokoden:



Advarsel! Brukeren må lese håndboken for å redusere risikoen for personskade.



Benytt vernebriller når du bruker dette produktet.



Benytt hørselvern når du bruker dette verktøyet.



Hold verktøyet unna regn eller høy fuktighet.



Garantert lydeffekt i henhold til direktiv 2000/14/EF.

Ytterligere sikkerhetsinstruksjoner for batterier og ladere

Batterier

- ◆ Forsøk aldri å åpne av noen årsak.
- ◆ Ikke utsett batteriene for vann.
- ◆ Ikke oppbevar det på steder hvor temperaturen kan komme over 40 °C.
- ◆ Lad bare ved temperaturer mellom 10 og 40 °C.
- ◆ Bruk bare laderen som følger med apparatet.
- ◆ Følg instruksene som finnes i avsnittet "Miljøvern" når du skal kaste batterier.



Ikke forsøk å lade opp skadede batterier.

Ladere

- ◆ Bruk bare BLACK+DECKER-laderen til å lade batteriet i apparatet som laderen ble levert sammen med. Andre batterier kan sprekke og føre til personskade og materiell skade.
- ◆ Prøv aldri å lade ikke-oppladbare batterier.
- ◆ Skift ut defekte ledninger umiddelbart.
- ◆ Ikke utsett laderen for vann.
- ◆ Ikke åpne laderen.
- ◆ Ikke stikk gjenstander eller fingre inn i laderen.



Laderen er bare beregnet for innendørs bruk.



Les denne håndboken før bruk.

Viktig: Kun følgende ladere skal brukes for å lade 54 V batteriene på BL1554 & BL2554:
90589867, 90621477, 90590287-01, 90590289-01, 90602042-01, 90590287-02, 90590289-02, 90599854-02, 90599854-06, 90599853-05, 90634971, 90634972, 90634973, 90642266, 90642264, 90642265, BDC2A

Elektrisk sikkerhet



Denne laderen er dobbeltisolert. Jording er derfor ikke nødvendig. Kontroller alltid at nettspenningen er i overensstemmelse med spenningen på typeskiltet. Ikke skift ut laderen med et vanlig nettstøpsel.

- ◆ Hvis strømledningen blir skadet, må den byttes av produsenten eller et autorisert BLACK+DECKER-service-senter for å unngå fare.

Funksjoner

Dette verktøyet har noen av eller alle følgende egenskaper.

1. Avtrekker-bryter
2. Låsebryter
3. Håndtak
4. POWERCOMMAND knapp
5. Bladbeskyttelse
6. Sikkerhetshåndtak
7. Blad
8. Sagblad
9. Sagbladsko
10. Dualvolt batteripakke (kun med GTC5455PC).
11. Dualvolt panel (kun med GTC5455PC).
12. Lader (kun med GTC5455PC enhet).

Montering

Advarsel! Før monteringen må du ta ut batteriet av verktøyet og sette bladbeskytteren over bladet.

Advarsel! Før monteringen må du sørge for at verktøyet er slått av og koblet fra, og at bladbeskytteren er plassert over bladen.

Advarsel! Bruk aldri verktøyet uten beskyttelsesskjermen.

Ladeprosedyre

BLACK+DECKER-ladere er designet for å lade BLACK+DECKER-batteripakker.

- ◆ Plugg inn laderen (12) i en passende stikkontakt før du setter inn batteripakken.
- ◆ Sett batteripakken inn i laderen som vist i figur A.

- ◆ Det grønne LED-lyset (12a) blinker for å varsle om at batteriet lades.
- ◆ Fullført lading vises ved at den grønne LED-en (12a) er på kontinuerlig. Pakken er da fullt oppladet og kan brukes, eller den kan bli stående i laderen.

Merk: Lad opp utladete batterier så fort som mulig etter bruk, ellers vil batteriets levetid forringes. For lengst batterilevetid, ikke lad ut batteriet helt. Det anbefales at du lader batteriet etter hver bruk.

La batteriet være i laderen

Laderen (12) og batteripakken (11) kan forbli tilkoblet med lysende LED-lys i ubegrenset tid. Laderen holder batteripakken klar og fulladet.

Viktige merknader om lading

- ◆ Lang levetid og best ytelse oppnås dersom batteripakken lades med lufttemperatur mellom 65°F og 75°F (18°-24°C). IKKE lade batteripakken med lufttemperatur under +40°F (+4,5°C) eller over +105°F (+40,5°C). Dette er viktig og vil forhindre alvorlig skade på batteripakken.
- ◆ laderen og batteripakken kan være varme å ta på under lading. Dette er normalt og er ikke et tegn på et problem. For å muliggjøre bedre kjøling av batteripakken etter bruk, unngå å oppbevare laderen i varme omgivelser slik som et metallskur eller en uisolert trailer.
- ◆ Hvis batteripakken ikke lader skikkelig:
 - ◆ Kontroller strømmen i kontakten ved å sette inn en lampe eller et annet apparat.
 - ◆ Kontroller at stikkkontakten er koblet til en lysbryter som slår av strømmen når du slår av lyset.
 - ◆ Flytt laderen og batteripakken til et sted hvor omgivelsestemperaturen er omtrent 65°F - 75°F (18°-24°C).
 - ◆ Hvis ladeproblemene vedvarer, ta verktøyet, batteripakken og laderen til ditt lokale servicesenter.
- ◆ Denne batteripakken med lang levetid må lades opp når den slutter å gi nok strøm til jobber som ble utført litt tidligere. I så fall, IKKE fortsett å bruke verktøyet. Følg ladeprosedyren. Du kan også lade opp en halvutladet pakke når som helst uten at det har noen effekt på batteripakken.
- ◆ Fremmedlegemer som kan lede strøm, inkludert, men ikke begrenset til stålull, aluminiumsfolie eller annen ansamling av metalliske partikler, må holdes unna åpningene i laderen. Kople alltid laderen fra strømtilførselen når det ikke er en batteripakke i hulrommet. Kople fra laderen før rengjøring.
- ◆ IKKE sprut på eller senke ned i vann eller andre væsker.

Advarsel! Ikke la væske komme inn i laderen. Forsøk aldri å åpne batteripakken av noen årsak. Dersom plashuset på batteripakken knekker eller får sprekker, send den til et servicesenter for avhending.

Ladeindikator (Fig. B)

Batteriet er utstyrt med en status på ladeindikator. Denne kan brukes til å se ladenivået på batteriet under bruk og under lading. Den viser ikke funksjon av verktøyet, og kan variere avhengig av produktkomponenter, temperatur og bruksområdet.

Sjekk ladestatus under bruk

- ◆ Trykk på ladeindikatorknappen (B1).
- ◆ De tre LED-ene (B2) vil lyse opp og indikere ladeprosenten på batteriet. Se tabell i figur B.
- ◆ Hvis LED-lyset ikke lyser skal du lade batteriet.

Laderdiagnose (Fig. E)

Se indikatorene i figur E for ladestatus av batteripakken.

Dårlig batteri

Hvis du ser blinkemønsteret for dårlig batteri, skal du ikke fortsette å lade dette batteriet. Returner det til et servicesenter eller et oppsamlingssted for resirkulering.

Ventetid for varm/kald pakke

Når laderen registrerer et batteri som er for varmt eller kaldt, vil det automatisk startes en varm-/kald-pakkeforsinkelse, som utsetter ladingen til batteriet har nådd en passende temperatur. Laderen vil deretter automatisk skifte til lademodus for pakken. Denne funksjonen sikrer maksimal levetid på batteripakken. En kald batteripakke vil lade med lavere hastighet enn en varm batteripakke. Batteripakken vil lade langsommere gjennom hele ladesyklusen, og vil ikke gå tilbake til maksimal ladehastighet selv om batteriet blir varmt.

Sette inn og ta av batteripakke på verktøyet

Advarsel! Pass på at låseknappen er i bruk for å hindre utilsiktet aktivering av bryteren før du tar ut eller setter inn et batteri.

Installere batteripakken (Fig. C)

- ◆ Sett batteriet (10) inn i apparatet til du hører et klikk når det går i lås (Fig. C)
- ◆ Pass på at batteripakken er satt godt inn og er låst på plass.

Ta ut batteripakken (Fig. D)

- ◆ Trykk på batteriutløserknappen (10a) som vist på figur D og dra batteripakken (10) ut av verktøyet.

Dualvolt 54V-batteripakke (Fig F.)

Duavolt 54V-batteripakken kan brukes på batteridrevne 54V & 18V Black+Decker-verktøy.

Batteriet kan kjenne igjen verktøyet det blir satt inn i, og vil bruke en relevant effekt som gir mer kjøretid for 18V-verktøy. Det er en ladestatusknapp (11) som indikerer ladenivået for både 54V og 18V.

Bruk

- ◆ For å slå på enheten, skyv låseknappen (2) ned, trykk inn avtrekkeren (1) og trykk ned dobbel-bryter sikkerhetshåndtaket (6) som vist i figur G. Når enheten går kan du slippe låseknappen. For å holde enheten i gang må du fortsatt holde avtrekkeren inntrykket.

Advarsel! Ikke prøv å låse en bryter i stillingen "på".

Klippeanvisninger

- ◆ Pass på at du alltid har sikkert fotfeste og god balanse, og ikke strekk deg for langt. Bruk vernebriller og sklisikre vernesko ved klipping. Hold enheten godt med begge hendene, og slå på enheten. Hold alltid hekksaksen som vist i figurene i denne bruksanvisningen, med en hånd på bryterhåndtaket og en hånd på sikkerhetshåndtaket (Fig. G). Hold aldri enheten i bladbeskyttelsen.

Klippe ny vekst (Fig. H)

- ◆ Det er mest effektivt med en bred, sveipende bevegelse for å mate bladets tenner gjennom kvistene. Best resultat får du med en liten ned-vinkel på bladet i bevegelsesretningen.

Advarsel! Ikke kutt kvister som er tykkere enn 19mm. Bruk bare trimmeren for klipping av normale busker rundt hus og andre bygninger.

Trimme hekker (Fig. I)

- ◆ For å svært jevne hekker kan du strekke en tråd langs hele hekken som styring.

Trimme hekker på siden (Fig. J)

- ◆ Hold trimmeren som vist, start nederst og sveip oppover.

POWERCOMMAND (Fig. K)

Dersom du kjører deg fast, trykk inn POWERCOMMAND knappen (4) som vist i figur K. Bladene vil bevege seg frem og tilbake i en langsommere og kraftigere rytme for å hjelpe deg å klippe kraftigere kvister. Slipp knappen for å gå tilbake til vanlig hekkklipping.

Merk: Når du slipper knappen, vil bladene straks gå tilbake til full hastighet.

Merk: Bladene vil stoppe når knappen holdes i 15 sekunder. For å aktivere POWERCOMMAND funksjonen igjen, slipp knappen og trykk den inn på nytt. IKKE hold POWERCOMMAND knappen kontinuerlig ved normal hekkklipping.

Sagblad (Fig. L)

For grenser som er for tykke for klipping med bladet (7), bruk sagbladet (8). Plasser sagbladet så nært enden av grenen som mulig. Sett sagbladskoen (9) mot grenen. Slå på hekksaksen som beskrevet over, la verktøyet jobbe i sitt eget tempo til grenen er sagt helt av.

Vedlikehold

BLACK+DECKER-apparatet/verktøyet med ledning/batteri er laget for å brukes over lang tid med et minimum av vedlikehold. For at den skal fungere tilfredsstillende over tid, er det viktig å sørge for riktig stell av verktøyet og regelmessig renhold.

Advarsel! Før du utfører vedlikehold på elektriskdrevet/batteridrevet elektroverktøy:

- ◆ Slå av apparatet/verktøyet og trekk ut støpsetet.
- ◆ Eller slå av apparatet/verktøyet og fjern batteriet fra dette hvis apparatet/verktøyet har separat batteripakke.
- ◆ Eller la batteriet gå helt tomt hvis det er innebygd, og slå deretter av.
- ◆ Fjern laderen fra stikkkontakten før du rengjør den. Laderen krever ikke annet vedlikehold enn regelmessig rengjøring.
- ◆ Rengjør ventilasjonsåpningene i apparatet/verktøyet/laderen jevnlig med en myk børste eller tørr klut.
- ◆ Rengjør motorhuset regelmessig med en fuktig klut. Ikke bruk slipende eller løsemiddelbaserte rengjøringsmidler.
- ◆ Rengjør bladene omhyggelig etter bruk. Etter rengjøring påføres en film av lett maskinolje for å hindre at bladene ruste.

Klippebladene er laget av høykvalitets herdet stål, ved normal bruk vil de ikke kreve sliping. Men dersom du ved et uhell treffer et gjerde, steiner, glass eller andre harde objekter, kan du få et hakk i bladet.

Det er ikke nødvendig å fjerne dette hakked dersom det ikke hindrer bevegelse av bladet. Dersom hakked hindrer bevegelse av bladet, ta ut batteriet og bruk en fin fil eller et bryne for å slippe ned hakked.

Dersom du mister ned trimmeren, inspiser den nøye for å se etter skader. Dersom bladet er bøyd, kapslingen sprukket eller du ser noen andre salder som kan påvirke trimmerens funksjon, kontakt ditt lokale BLACK+DECKER servicesenter før du tar den i bruk igjen. Kunstgjødsel og andre hagekjemikalier inneholder stoffer som fører til at metaller ruste fortere. Ikke lagre enheten på eller i nærheten av kunstgjødsel eller kjemikalier. Bare bruk mild såpe og en fuktig klut til å rengjøre enheten. La det aldri komme væske inn i enheten, og senk aldri noen deler av enheten ned i væske. Forhindre at bladene ruste ved å smøre på et tynt lag rustbeskyttende olje etter rengjøring.

Skifte støpsel (bare Storbritannia og Irland)

Dersom du trenger å sette på et nytt støpsel:

- ◆ Deponer det gamle støpselet pluggen på miljøvennlig måte.
- ◆ Koble den brune ledningen til det strømførende tilkoblingspunktet i det nye støpselet.
- ◆ Koble den blå ledningen til nøytral-pinnen.

Advarsel! Jordingslederen skal ikke kobles til. Følg monteringsanvisningen som medfølger støpsler av god kvalitet. Anbefalt sikring: 5 A.

Feilsøking		
Problem	Mulig årsak	Mulig løsning
Går langsomt, støyende eller varme blad.	Tørre, rustne blad.	Smør bladene.
	Blad eller bladstøtte bøyd.	Rett ut bladet eller bladstøtten.
	Bøyde eller skadde tenner.	Rett ut tennene.
	Løse bladboltene.	Stram til bladboltene.
Enheten starter ikke.	Batteriet er ikke satt inn riktig.	Kontroller innsettingen av batteriet.
	Batteriet er ikke ladet.	Kontroller kravene til ladning av batteriet.
	Låsen ikke helt i lås.	Kontroller at låsen er trykket helt inn før du bruker hovedavtrekieren.
Batteriet lader ikke	Batteriet er ikke satt inn i laderen.	Sett batteriet i laderen til grønn LED lyser. Lad i opp til 8 timer dersom batteriet er helt utladet.
	Laderen er ikke satt i stikkontakten.	Sett laderen i en stikkontakt som virker. Se "Viktige merknader om lading" for mer informasjon. Kontroller strømmen i kontakten ved å sette inn en lampe eller et annet apparat. Kontroller at stikkontakten er koblet til en lysbryter som slår av strømmen når du slår av lyset.
	Omgivelsestemperaturen er for varm eller kald.	Flytt laderen og batteriet til et sted med lufttemperatur over 40 grader F (4,5°C) eller under 105 grader F (+40,5°C).

Miljøvern



Separat avfallshåndtering. Produkter og batterier merket med dette symbolet skal ikke kastes i vanlig husholdningsavfall.

Produkter og batterier inneholder materialer som kan gjenbrukes eller gjenvinnes for å redusere behovet for nye råmaterialer. Vennligst lever elektrisk utstyr og batterier til gjenbruk i henhold til lokale regler.

Tekniske data

		GTC5455PC	GTC5455PCB
Spenning	V_{DC}	54	54
Bladslag (ubelastet)	min^{-1}	2600	2600
Bladlengde	cm	60	60

Bladgap	mm	19	19
Vekt	kg	3,83	2,775
Batteri		BL2554	Bare enheten (uten batteri)
Spenning	V_{DC}	54	
Kapasitet	Ah	1,5	
Type		Li-Ion	
Lader		BDC2A	Bare enheten (uten lader)
Inngangsspenning	V_{AC}	220 - 230	
Utgangsspenning	V_{DC}	2000mA	
Strøm	mA	2000	
Omtrentlig ladetid	Timer	2,75	

Lydtrykknivå i henhold til EN 60745:

Lydtrykk: (L_{pA}) 78 dB(A), usikkerhet (K) 3 dB(A)

Lydeffekt: GTC18504PC (L_{WA}) 92,5 dB(A) usikkerhet (K) 2,5 dB(A)

Totale vibrasjonsverdier (triaux vektorsum) bestemt i samsvar med EN 60745:

Vibrasjonsemissionsverdi: GTC18504PC (a_{rh}) 2,7 m/s^2 , usikkerhet (K) 1,5 m/s^2

EU-samsvarserklæring MASKINERIDIREKTIV DIREKTIV FOR UTENDØRSSTØY



GTC5455PC, GTC5455PCB Hekksaks
Black & Decker erklærer at disse produktene, som er beskrevet under "tekniske data", er i samsvar med:
2006/42/EC, EN 60745-1:2009 + A11:2010, EN 60745-2-15:2009 +A1:2010
2000/14/EF, hekksaks 1300 min^{-1} , vedlegg V
Målt lydtrykk (L_{pA}) 92,5? dB(A)
Usikkerhet (K) 2,5 dB(A)
Garantert lydeffekt (L_{WA}) 92,5 dB(A)

Disse produktene er også i samsvar med direktiv 2004/108/EU og 2011/65/EU. Hvis du ønsker mer informasjon, kan du kontakte Black & Decker på adressen under eller se baksiden av bruksanvisningen.

Undertegnede er ansvarlig for utarbeidelsen av den tekniske dokumentasjonen og gir denne erklæringen på vegne av Black & Decker.



Ray Laverick
Director of Engineering
Black & Decker Europe, 210 Bath Road, Slough,
Berkshire, SL1 3YD
Storbritannia
23.09.2016

Garanti

Black & Decker er trygg på kvaliteten av produktene sine og tilbyr en 24 måneders garanti fra kjøpsdato. Denne garanti-erklæringen kommer i tillegg til dine lovbestemte rettigheter og er ikke i konflikt med disse. Garantien er gyldig innen områdene tilhørende medlemslandene i den Europeiske Union (EU) og det Europeiske Frihandelsområdet (EFTA).

For å ta garantien i bruk må kravet være i samsvar med kjøpsbetingelsene fra Black&Decker og du må vise kjøpsvit-tering til forhandleren eller til et autorisert serviceverksted. Betingelsene for Black&Deckers 2 års garanti og adressen til din nærmeste autoriserte serviceverksted kan du finne på internett under www.2helpU.com, eller ved å kontakte ditt lokale Black & Decker kontor, adressen er angitt i denne bruksanvisningen.

Besøk våre nettsider på www.blackanddecker.no for å registrere ditt nye Black & Decker-produkt og for å få informasjon om nye produkter og spesialtilbud.

Tilsigtet brug

Dine BLACK+DECKER™ GTC5455PC og GTC5455PCB hækkeklippere er designet til klipping af hække, buske og brombærbuske. Disse værktøjer er kun beregnet til privat brug.

Sikkerhedsinstruktioner

Generelle sikkerhedsadvarsler vedrørende elværktøj



Advarsel! Læs alle sikkerhedsadvarsler og alle instruktioner. Hvis nedenstående advarsler og instruktioner ikke følges, er der risiko for elektrisk stød, brand og alvorlige kvæstelser.

Gem alle advarsler og instruktioner til senere brug.

Begrebet "elværktøj", der benyttes i nedenstående advarsler, henviser til netdrevet elværktøj (med netledning) eller batteridrevet værktøj (uden netledning).

1. **Sikkerhed i arbejdsområdet**
 - a. **Hold arbejdsområdet rent og ordentligt oplyst.** Rodede eller mørke områder giver anledning til ulykker.
 - b. **Brug ikke elværktøj i eksplosive omgivelser, f.eks. hvor der er brændbare væsker, gasser eller støv.** Elværktøj danner gnister, der kan antænde støv eller dampe.
 - c. **Hold børn og andre personer i nærheden på afstand, når der arbejdes med elværktøj.** Distractioner kan medføre, at du mister kontrollen.
2. **Electricitet og sikkerhed**
 - a. **Elværktøjets stik skal passe til kontakten. Stikket må aldrig modificeres på nogen måde. Undlad at bruge adapterstik sammen med jordforbundet elektrisk værktøj.** Umodificerede stik og dertil passende stikkontakter reducerer risikoen for elektrisk stød.
 - b. **Undgå kropskontakt med jordforbundne overflader som f.eks. rør, radiatorer, komfurer og køleskabe.** Der er øget risiko for elektrisk stød, hvis din krop er jordforbundet.
 - c. **Udsæt ikke elværktøj for regn, og brug det ikke, hvor omgivelserne er våde.** Hvis der trænger vand ind i et elektrisk værktøj, øges risikoen for elektrisk stød.
 - d. **Pas på, at ledningen ikke beskadiges. Brug aldrig ledningen til at bære, trække værktøjet eller trække det ud af stikkontakten. Hold ledningen borte fra varme, olie, skarpe kanter og bevægelige dele.** Beskadigede eller sammenfiltrede ledninger øger risikoen for elektrisk stød.
 - e. **Hvis elværktøj benyttes i det fri, skal der benyttes en forlængerledning, som er godkendt til udendørs brug.**

Brug af en ledning, der er egnet til udendørs brug, reducerer risikoen for elektrisk stød.

- f. **Brug en strømkilde med fejlstrømsrelæ, hvis det er nødvendigt at anvende elværktøj på fugtige steder.** Ved at benytte en fejlstrømsafbryder reduceres risikoen for elektrisk stød.
3. **Personsikkerhed**
- a. **Vær opmærksom på, hold øje med, hvad du laver, og brug elværktøjet fornuftigt. Betjen ikke værktøjet, hvis du er træt, påvirket af narkotika, alkohol eller medicin.** Et øjeblik uopmærksomhed under anvendelse af et elektrisk værktøj kan forårsage alvorlige kvæstelser.
- b. **Brug personligt beskyttelsesudstyr. Bær altid beskyttelsesbriller.** Sikkerhedsudstyr, såsom støvmaske, skridsikre sikkerhedssko, sikkerhedshjelm eller høreværn, brugt når omstændighederne foreskriver det, reducerer omfanget af personskader.
- c. **Træf forholdsregler, så utilsigtet start ikke er mulig. Kontrollér, at afbryderkontakten står på slukket, inden værktøjet tilsluttes strømkilden og/eller batteriet, samles op eller bæres.** Når elektrisk værktøj bæres med fingeren på kontakten eller tilsluttes, når kontakten er tændt, giver det anledning til ulykker.
- d. **Fjern indstillingsværktøj eller skruenøgle, inden elværktøjet startes.** En skruenøgle eller anden nøgle, der bliver siddende på en roterende del af elektrisk værktøj, kan give anledning til personskade.
- e. **Stræk dig ikke for langt. Hold hele tiden en god fodstilling og balance.** Dette udgør at du har bedre kontrol over det elektriske værktøj, når uventede situationer opstår.
- f. **Brug egnet arbejdstøj. Bær ikke løst tøj eller smykker.** Hold dit hår, tøj og handsker væk fra bevægelige dele. Løstsiddende tøj, smykker eller langt hår kan blive fanget i bevægelige dele.
- g. **Hvis der kan monteres støvudsugnings- og opsamlingsudstyr, skal dette tilsluttes og benyttes korrekt.** Anvendelse af støvsamlingsudstyr kan begrænse farer forårsaget af støv.
4. **Brug og vedligeholdelse af elværktøj**
- a. **Overbelast ikke elværktøjet. Brug det værktøj, der er bedst egnet til det arbejde, der skal udføres.** Værktøjet vil klare opgaven bedre og mere sikkert med den ydelse, som det er beregnet til.
- b. **Brug ikke elværktøjet, hvis afbryderkontakten er defekt.** Alt elektrisk værktøj, der ikke kan kontrolleres med kontakten, er farligt og skal repareres.
- c. **Træk stikket ud af stikkontakten og/eller batteriet inden indstilling, tilbehørsudskiftning eller opbevaring af elværktøjet.**

Sådanne forebyggende sikkerhedsforanstaltninger mindsker risikoen for, at værktøjet startes utilsigtet.

- d. **Opbevar ubenyttet elværktøj uden for børns rækkevidde. Lad aldrig personer, der ikke er fortrolige med elværktøjet, eller som ikke har læst denne vejledning, benytte maskinen.** El-værktøj er farligt i hænderne på personer, som ikke er instrueret i brugen deraf.
- e. **Elværktøj skal vedligeholdes. Kontroller, om bevægelige dele er skæve og ikke sidder fast, og om delene er brækket eller beskadiget, så elværktøjets funktion påvirkes. Hvis det elektriske værktøj er beskadiget, skal det repareres før brug.** Mange ulykker er forårsaget af dårligt vedligeholdt værktøj.
- f. **Hold skæreværktøj skarpt og rent.** Ordentligt vedligeholdt skæreværktøj med skarpe skærekanter har mindre tilbøjelighed til at binde og er lettere at styre.
- g. **Brug elværktøjet, tilbehøret, indsatsværktøj osv. i overensstemmelse med disse instruktioner under hensyntagen til arbejdsforholdene og arbejdet, der skal udføres med værktøjet.** Brug af elektrisk værktøj til andre opgaver end dem, det er beregnet til, kan resultere i en farlig situation.
5. **Brug og pleje af batteriværktøj**
- a. **Genoplad kun med den lader, som producenten har angivet.** En oplader, der passer til en type batteripakke, kan udgøre en risiko for brand, når den bruges til en anden type.
- b. **Elværktøjer må kun bruges med batteripakker, der er beregnet hertil.** Brugen af andre batteripakker kan medføre personskade og brand.
- c. **Når batteripakken ikke er i brug, skal den holdes på afstand af andre metalgenstande, f.eks. papirclips, mønter, nøgler, søm, skruer og andre små metalgenstande, som kan skabe forbindelse mellem de to poler.** Kortslutning af batteriet kan forårsage forbrændinger eller brand.
- d. **Under grove forhold kan væske sive ud fra batteriet; undgå kontakt. Hvis der opstår kontakt ved et uheld, skyl med vand. Hvis væske kommer ind i øjnene, søg omgående lægehjælp.** Væske, der siver ud fra batteriet, kan fremkalde irritationer eller forbrændinger.

6. Service

- a. **Lad kun kvalificerede fagfolk reparere elværktøjet, og benyt kun originale reservedele.** Derved sikres det, at værktøjets driftssikkerhed opretholdes.

Yderligere sikkerhedsadvarsler for elværktøj



Advarsel! Yderligere sikkerhedsadvarsler for hækkeklippere

- ◆ **Hold alle kroppsdele borte fra skærebladet. Fjern ikke afklippet materiale og hold ikke i det materiale, der skal klippes af, mens skærebladene bevæger sig. Kontroller, at der er slukket på afbryderen, når du fjerner fastkørt materiale.** Få sekunders uopmærksomhed ved brug af elværktøjet kan føre til alvorlige personskader.
- ◆ **Bær hækkeklipperen i hånden, når skærebladet er stoppet. Monter altid skærebladets afdækning ved transport eller opbevaring af hækkeklipperen.** Korrekt håndtering af hækkeklipperen reducerer risikoen for personskade forårsaget af skærebladene.
- ◆ **Hold kun i elværktøjets isolerede gribeflader, da skærebladet kan komme i kontakt med skjulte ledninger.** Hvis skæreblade kommer i kontakt med en strømførende ledning, bliver elværktøjets blottagte dele strømførende, så brugeren får stød.
- ◆ Den tilsigtede anvendelse er beskrevet i denne betjeningsvejledning. Brugen af ekstraudstyr eller tilbehør eller udførelse af opgaver med værktøjet ud over de i brugervejledningen anbefalede kan medføre risiko for personskade og/eller materiel skade.
- ◆ Bær ikke værktøjet med hænderne på det forreste håndtag, kontakten eller startkontakten, medmindre ledningen er taget ud, eller batteriet er fjernet.
- ◆ Hvis du ikke har brugt en hækkeklipper før, skal du om muligt søge praktisk vejledning hos en erfaren bruger ud over at læse denne vejledning.
- ◆ Rør aldrig skærebladene, mens værktøjet kører.
- ◆ Forsøg aldrig at tvinge skærebladene til at stoppe.
- ◆ Sæt ikke værktøjet fra dig, før skærebladene står helt stille.
- ◆ Kontroller regelmæssigt skærebladene for beskadigelse og slid. Brug ikke værktøjet, hvis skærebladene er beskadigede.
- ◆ Pas på, at du ikke rammer hårde genstande (f.eks. metaltråde, stakitter) under klipningen. Hvis du ved et uheld rammer en sådan genstand, skal du omgående slukke værktøjet og kontrollere det for beskadigelse.
- ◆ Hvis værktøjet begynder at vibrere unormalt, skal du omgående slukke det, fjerne batteriet og kontrollere det for beskadigelse.
- ◆ Sluk omgående værktøjet, hvis det går i stå. Tag ledningen ud af stikkontakten, eller fjern batteriet, før du forsøger at fjerne forhindringer.
- ◆ Sæt den medfølgende kappe på skærebladene efter brug. Værktøjet må ikke opbevares med utildækket skæreblad.
- ◆ Kontroller altid, at alle afskærmninger er monteret, når du bruger værktøjet. Forsøg aldrig at bruge et mangelfuldt værktøj eller et værktøj, hvor der er foretaget uautoriserede ændringer.
- ◆ Lad aldrig børn bruge værktøjet.

- ◆ Vær opmærksom på nedfaldende afklip ved klipning af høje hække.
- ◆ Hold altid værktøjet med begge hænder i håndtagene.

Andres sikkerhed

- ◆ Dette udstyr er ikke beregnet til anvendelse af personer (inklusive børn) med nedsatte fysiske, sensoriske eller mentale handicaps eller med mangel på erfaringer eller viden, medmindre de er under overvågning eller har fået instruktioner i brugen af udstyret af en person, der er ansvarlig for deres sikkerhed.
- ◆ Børn skal holdes under opsyn, så det sikres, at de ikke leger med værktøjet.

Restrisici.

Der kan opstå yderligere restrisici under brugen af apparatet, som muligvis ikke behandles i de vedlagte sikkerhedsadvarsler. Disse risici kan opstå pga. forkert anvendelse, langvarig brug etc.

Selv ved overholdelse af relevante sikkerhedsforskrifter og anvendelse af sikkerhedsudstyr kan visse restrisici ikke undgås. Disse omfatter:

- ◆ Tilskadekomst forårsaget af berøring af roterende/ bevægelige dele.
- ◆ Tilskadekomst forårsaget af udskiftning af dele, klinger eller tilbehør.
- ◆ Tilskadekomst forårsaget af langvarig brug af et værktøj. Husk at holde pause jævnlige ved brug af et apparat i længere tid.
- ◆ Hørenedsættelse.
- ◆ Sundhedsrisici forårsaget af indånding af støv, der genereres ved brug af værktøjet (eksempel: arbejde med træ, især, eg, bøg og MDF.)

Vibration

De angivne værdier for udsendelse af vibration opført under de tekniske data og overensstemmelseserklæringen er målt i henhold til standardtestmetoden anført i EN 60745 og kan bruges til at sammenligne ét værktøj med et andet. Den angivne vibrationsemissionsværdi kan også bruges som en foreløbig vurdering af eksponeringen.

Advarsel! Værdien for vibrationsmission ved faktisk brug af elværktøjet kan afvige fra den angivne værdi afhængig af måden, værktøjet anvendes på. Vibrationsniveauet kan overstige det angivne niveau.

I vurderingen af eksponeringen for vibration med henblik på fastsættelse af sikkerhedsforanstaltninger som krævet i 2002/44/EF til beskyttelse af personer, der jævnligt anvender elværktøj i deres arbejde, skal der tages hensyn til de faktiske betingelser under brugen, og måden værktøjet bruges på, herunder alle arbejdsscyklussens elementer, f.eks. perioder, hvor værktøjet er slukket, og hvor det kører i tomgang, tillige med startperioderne.

Mærkatet på værktøjet

Værktøjet er forsynet med følgende piktogrammer sammen med en datokode:



Advarsel! Brugeren skal læse brugervejledningen for at reducere risikoen for tilskadekomst.



Bær beskyttelses- eller sikkerhedsbriller, når du bruger dette værktøj.



Bær hørevæm, når du bruger dette værktøj.



Udsæt ikke værktøjet for regn eller høj luftfugtighed.



Direktiv 2000/14/EF garanterer lydeffekt.

Yderligere sikkerhedsvejledninger for batterier og ladere

Batterier

- ◆ Forsøg aldrig at åbne den af en eller anden grund.
- ◆ Batteriet må ikke udsættes for vand.
- ◆ Må ikke opbevares på steder, hvor temperaturen kan overstige 40 °C.
- ◆ Foretag kun opladning ved omgivelsestemperaturer mellem 10 °C og 40 °C.
- ◆ Oplad kun ved hjælp af den medfølgende lader.
- ◆ Ved bortskaffelse af batterierne, skal du følge anvisningerne i afsnittet "Beskyttelse af miljøet".



Forsøg ikke at oplade beskadigede batterier.

Opladere

- ◆ Brug kun din BLACK+DECKER-lader til at oplade batteriet i det værktøj, som den blev leveret sammen med. Andre batterier kan eksplodere og forårsage kvæstelser og materielle skader.
- ◆ Forsøg aldrig at oplade ikke-genopladelige batterier.
- ◆ Udskift straks defekte ledninger.
- ◆ Opladeren må ikke udsættes for fugt.
- ◆ Opladeren må ikke åbnes.
- ◆ Undersøg ikke opladeren.



Opladeren er kun beregnet til indendørs brug.



Læs brugervejledningen, før værktøjet tages i brug.

Vigtigt: Kun følgende opladere bør anvendes til at oplade 54v-batteriet BL1554 & BL2554:
90589867, 90621477, 90590287-01, 90590289-01, 90602042-01, 90590287-02, 90590289-02, 90599854-02, 90599854-06, 90599853-05, 90634971, 90634972, 90634973, 90642266, 90642264, 90642265, BDC2A

Elektricitet og sikkerhed



Opladeren er dobbelt isoleret. Derfor er en jordledning ikke nødvendig. Kontroller altid, at netspændingen svarer til spændingen på typeskiltet. Forsøg aldrig at erstatte opladerenheden med et almindeligt netstik.

- ◆ Hvis netledningen beskadiges, skal den udskiftes af producenten eller et autoriseret BLACK+DECKER-værksted, så farlige situationer undgås.

Funktioner

Apparatet har nogle eller alle af de følgende funktioner.

1. Udløserkontakt
2. Låseknop
3. Håndtag
4. POWERCOMMAND knap
5. Klingens beskyttelsesskærm
6. Båndhåndtag
7. Klinge
8. Savklinge
9. Savklingesko
10. Dualvolt-batteripakke (Kun med GTC5455PC-enhed)
11. Dualvolt-panel (Kun med GTC5455PC-enhed).
12. Oplader (Kun med GTC5455PC-enhed)

Samling

Advarsel! Før montering tag batteriet ud af værktøjet, og anbring skærebladskappen over skæreklingerne.

Advarsel! Kontroller, at værktøjet er slukket, stikket taget ud og at skærebladskappen er monteret over skærebladene før samling.

Advarsel! Brug aldrig værktøjet uden monteret skærm.

Opladningsprocedure

BLACK+DECKER opladere er designet til at oplade BLACK+DECKER batteripakker.

- ◆ Indsæt opladeren (12) i en passende udgang, før batteripakken indsættes.
- ◆ Indsæt batteripakken i opladeren som vist i figur A.

- ◆ Den grønne LED-lampe (12a) blinker for at vise, at batteriet oplades.
- ◆ Når opladningen er færdig, vil det blive angivet af den grønne LED (12a), som vil lyse konstant. Pakken er fuldt opladet og kan nu anvendes eller kan efterlades i opladeren.

Bemærk: Genoplad afladede batterier så hurtigt som muligt efter brug, da batteriets levetid ellers kan blive stærkt formindsket. For længste batterilevetid, aflad ikke batterierne helt. Opladning af batterierne efter hver brug anbefales.

Lad batteriet blive siddende i opladeren

Du kan lade batteripakken (11) sidde i laderen (12) med tændt LED, så længe det ønskes. Opladeren holder batteripakken klar og fuldt opladet.

Vigtige bemærkninger om opladning

- ◆ Den længste levetid og bedste ydeevne kan opnås, hvis batteripakken oplades, når lufttemperaturen er mellem 18°C (65°F) og 18° - 24°C (75°F). Oplad IKKE batteripakken i en lufttemperatur under +4,5°C (+40°F) eller over +40,5°C (+105°F). Dette er vigtigt og vil forhindre alvorlig beskadigelse af batteripakken.
- ◆ Opladeren og batteripakken kan blive for varm at røre ved under opladning. Dette er normalt og angiver ikke et problem. For at lette køling af batteripakken efter brug, undgå at placere opladeren eller batteripakken i varme omgivelser, som f.eks. i et metalskur eller i en uisoleret trailer.
- ◆ Hvis batteripakken ikke oplades ordentligt:
 - ◆ Kontroller strømkvikket ved at tilslutte en lampe eller et andet apparat.
 - ◆ Kontrollér for at se om kontakten er tilsluttet til en lyskontakt, som slår strømmen fra, når du slukker for lysene.
 - ◆ Flyt opladeren og batteripakken til et sted, hvor den omgivende lufttemperatur er ca. 18° C - 24°C (65°F - 75°F).
 - ◆ Hvis der stadig er opladningsproblemer, tag værktøjet, batteripakken og opladeren til dit lokale servicecenter.
- ◆ Batteripakken skal genoplades, når den ikke giver tilstrækkelig strøm til de opgaver, som tidligere let blev udført. FORTSÆT IKKE med at bruge den under disse forhold. Følg opladningsproceduren. Du kan også oplade en delvist brugt pakke, når du ønsker det uden nogen negativ indflydelse på batteripakken.
- ◆ Fremmede materialer af en ledende art som for eksempel, men ikke begrænset til ståluld, aluminiumsfolie eller anden koncentration af metalliske partikler skal holdes på afstand af opladerens huler. Tag altid stikket til opladeren ud fra kontakten, når der ikke er indsat en batteripakke. Tag stikket til opladeren ud før forsøg på at rengøre den.

- ◆ Frys ikke eller nedsenk opladeren i vand eller andre væsker.

Advarsel! Lad ikke nogen flydende væsker komme ind i opladeren. Forsøg aldrig at åbne batteripakken. Hvis batteripakkens plastikhus får brud eller revner, returner det til et servicecenter til genbrug.

Ladeindikator (Fig.B)

Batteriet er udstyret med en ladetilstandsindikator. Den kan bruges til at vise batteriets aktuelle ladeniveau under brug og under opladning. Den indikerer ikke værktøjets funktionalitet og er genstand for variation baseret på produktkomponenter, temperatur og slutbrugeranvendelse.

Kontrol af ladetilstand under brug

- ◆ Tryk på ladetilstandsindikatorknappen (B1).
- ◆ De tre LEDs (B2) vil lyse og angive opladningsprocenten i batteriet. Se skemaet i figur B.
- ◆ Hvis LED lyset ikke lyser, oplad batteriet.

Opladerdiagnostik (Fig.E)

Se indikatorerne i figur E for opladningsstatussen af batteripakken.

Dårligt batteri

Hvis du ser et dårligt batteriblinkmønster, forsæt ikke med at oplade batteriet. Returnér det til et servicecenter eller til et indsamlingssted til genbrug.

Varm/kold pakkeforsinkelse

Når opladeren registrerer en batteripakke, der er for varm eller for kold, starter den automatisk en Varm/kold pakkeforsinkelse, hvilket udskyder opladningen, indtil batteripakken har nået en passende temperatur. Derefter skifter opladeren automatisk til pakkeopladningstilstanden. Denne funktion sikrer maksimal batteripakkelevetid. En kold batteripakke vil oplade med en lavere hastighed end en varm batteripakke. Pakken vil oplade ved den lavere hastighed gennem hele opladningscyklussen og vil ikke vende tilbage til maksimal opladningshastighed, selvom pakken varmer.

Indsættelse og udtagning af batteripakken fra værktøjet

Advarsel! Sørg for, at låseknappen er aktiveret, for at forhindre utilsigtet aktivering af startknappen inden afmontering eller isætning af et batteri.

Sådan installeres batteripakken (Fig. C)

- ◆ Indsæt batteriet (10) i værktøjet, indtil der høres et klik (figur. C)
- ◆ Sørg for at batteripakken er helt skubbet ind og låst i position.

Sådan udtages batteripakken (Fig.D)

- ◆ Tryk batteriets udløserknop (10a) ned som vist i figur D, og træk batteripakken (10) ud af værktøjet.

Dualvolt 54V-batteripakke (Fig.F)

Dualvolt 54V-batteripakken kan bruges på trådløse 54V & 18V Black+Decker-værktøjer. Batteriet kan genkende værktøjet, det indsættes i, og kører ved den relevante effekt, hvilket giver længere driftstid i 18V-værktøjer. Der er en ladetilstandsknap (11), som angiver niveauopladningen ved både 54V og 18V

Funktion

- ◆ Du tænder for enheden ved at skubbe startspærreknappen (2) ned, trykke på udløseren (1) og trykke dobbeltkontakten på båndhåndtaget (6) ned som vist i figur G. Når enheden kører, kan du slippe startspærreknappen. Du holder enheden kørende ved at fortsætte med at trykke på udløseren.

Advarsel! Forsøg aldrig at fastlåse en kontakt i tændt position.

Instruktioner om klipping

- ◆ Oprethold korrekt fodstilling og balance, og undlad at række for langt. Bær sikkerhedsbriller, skridsikket fodtøj under klipping. Hold godt fast i enheden med begge hænder og tænd for enheden. Hold altid fast i hækkeklipperen som vist i illustrationerne i denne vejledning, med den ene hånd på kontakthåndtaget og den anden på båndhåndtaget (figur G). Hold aldrig fast i enhedens klingskærm.

Klipping af nye vækster (fig. H)

- ◆ En bred, fejende bevægelse ved indføring af klingetænderne gennem kviste er mest effektiv. En svag nedadgående hældning af klinger, i bevægelsesretningen giver den bedste klipping.

Advarsel! Skær ikke stængler der er tykkere end 19mm. Brug kun trimmeren til skæring af normale buskadsler rundt om huse og bygninger.

Vandrette hække (fig.)

- ◆ Du kan opnå en flot vandret hæk ved at spænde et stykke snor langs hækens længde som en rettesnor.

Sideklipping af hække (fig. J)

- ◆ Hold hækkeklipperen som vist, og start ved bunden og fej opad.

POWERCOMMAND (Fig.K)

Hvis du støder på en blokering, tryk på POWERCOMMAND knappen (4) vist i figur K. Klingerne vil bevæge sig frem og tilbage i en langsommere, mere insisterende rytme som hjælp til at skære igennem vanskelige grene.

Slip knappen for at vende tilbage til normal hækkeklipping.

Bemærk: Når knappen er sluppet, vil klingerne omgående vende tilbage til fuld hastighed.

Bemærk: Klingerne vil stoppe, når knappen holdes i 15 sekunder. Du aktiverer POWERCOMMAND funktionen ved at slippe knappen og trykke på den igen. Hold IKKE fortsat på POWERCOMMAND knappen under normal hækkeklipping.

Savklinge (Fig.L)

Til grene der er for store at skære for klinger (7), skal du bruge savklingen (8). Placer savklingen så tæt på det nederste af grenen som muligt. Placer savklingskoen (9) mod grenen. Tænd hækkeklipperen som beskrevet ovenfor, hvilket gør det muligt for værktøjet at arbejde i dets eget tempo, indtil grenen er skåret helt over.

Vedligeholdelse

Dit BLACK+DECKER-apparat/værktøj med eller uden ledning er beregnet til brug gennem lang tid med et minimum af vedligeholdelse. Vedvarende tilfredsstillende funktion er afhængig af, om apparatet plejes korrekt og rengøres regelmæssigt.

Advarsel! Før udførelse af nogen form for vedligeholdelse på elværktøj med/uden ledning:

- ◆ Sluk og tag apparatets/værktøjets stik ud af stikkontakten.
- ◆ Eller sluk og fjern batteriet fra apparatet/værktøjet, hvis det har en separat batteripakke.
- ◆ Eller aflad batteriet helt, hvis det er indbygget, og sluk derefter.
- ◆ Træk opladeren ud af stikkontakten, før den rengøres. Opladeren kræver ingen vedligeholdelse, men skal rengøres jævnligt.
- ◆ Rengør jævnligt apparatets/værktøjets/laderens ventilationshuller med en blød børste eller en tør klud.
- ◆ Rengør med jævne mellemrum motorhuset med en fugtig klud. Der må ikke bruges skuremidler eller opløsningsmidler.
- ◆ Rengør skærebladene omhyggeligt efter brug. Påfør en tynd film maskinolie efter rengøring, så skærebladene ikke ruste.

Skæreklingerne er lavet i høj kvalitets, hærdet stål, og ved normal brug vil de ikke kræve slibning. Men hvis du ved et uheld rammer et trådhegn, sten, glas eller andre hårde genstande, kan der komme et hak i klinger.

Der er ingen grund til at fjerne dette hak, så længe det ikke interfererer med klingebevægelsen. Hvis det interfererer, tag batteripakken ud og brug en fintanded fil eller slibesten til at fjerne hakket.

Hvis du taber hækkeklipperen, undersøg den omhyggeligt for beskadigelse. Hvis klinger er bøjet, huset revnet eller håndtag er knækkede, eller hvis du ser nogen anden tilstand, der kan påvirke klipperens drift, kontakt dit lokale BLACK+DECKER servicecenter for reparationer, før du tager den i brug igen.

Gødning og andre havekemikalier indeholder stoffer, som øger rustdannelse på metal. Opbevar ikke enheden på eller ved siden af gødning og kemikalier. Når batteriet er taget ud, brug kun en mild sæbe og en fugtig klud til rengøring af enheden. Lad aldrig væske trænge ind i enheden, og nedsænk aldrig nogen del af enheden i væske. Du kan forhindre klingerne i at ruste ved at påføre en film af let maskinolie efter rengøring.

Udskiftning af netstik (kun Storbritannien og Irland)

Hvis et nyt lysnetstik skal monteres:

- ◆ Det gamle stik skal bortskaffes på en sikker måde.
- ◆ Tilslut den brune ledning til den strømførende klemme på det nye stik.
- ◆ Tilslut den blå ledning til den neutrale klemme.

Advarsel! Der skal ikke tilsluttes til jordklemmen. Følg de monteringsinstruktioner, der følger med stik af god kvalitet.

Anbefalet sikring: 5 A.

Problemløsning		
Problem	Mulig årsag	Mulig løsning
Kører langsomt, støjende eller varme klinger.	Tørre, korroderede klinger.	Smør klinger.
	Klinge eller klingeholder bøjet.	Ret klingen eller klingeholderen ud.
	Bøjede eller beskadigede tænder.	Ret tænderne ud.
	Løse klingebolte.	Stram klingebolte.
Enheden vil ikke starte.	Batteriet er ikke installeret korrekt.	Kontroller installationen af batteriet.
	Batteri ikke opladet.	Kontroller kravene til opladning af batteriet.
	Startspærre virker ikke korrekt.	Kontroller at startspærreknappen er trykket helt ned, før hovedudløseren bevæges.
Batteri oplades ikke	Batteri er ikke sat i opladeren.	Indsæt batteriet i opladeren, indtil grønt LED vises. Oplad op til 8 timer, hvis batteri er helt afladet.
	Opladeren er ikke tilsluttet.	Slut opladeren til en fungerende stikkontakt. Se "Vigtige bemærkninger om opladning" for flere detaljer. Kontroller strømstikket ved at tilslutte en lampe eller et andet apparat. Kontrollér for at se om kontakten er tilsluttet til en lyskontakt, som slår strømmen fra, når du slukker for lyset.
	Omgivende lufttemperatur for varm eller for kold.	Flyt opladeren og værktøjet til en omgivende lufttemperatur på over 4,5°C (40 grader F) eller under +40,5°C (105 grader F).

Miljøbeskyttelse



Særskilt bortskaffelse. Produkter og batterier mærket med dette symbol må ikke bortskaffes sammen med normalt husholdningsaffald.

Produkter og batterier indeholder materialer, der kan genvindes eller genbruges og således reducerer efterspørgslen efter råvarer. Genbrug venligst elektriske produkter og batterier i henhold til lokale regulativer.

Tekniske data

		GTC5455PC	GTC5455PCB
Spænding	V_{DC}	54	54
Klingeslag (uden belastning)	min^{-1}	2600	2600
Knivlængde	cm	60	60
Skærebledsafstand	mm	19	19
Vægt	kg	3,83	2,775
Batteri		BL2554	Bar enhed (intet batteri)
Spænding	V_{DC}	54	
Kapacitet	Ah	1,5	
Type		Li-Ion	
Oplader		BDC2A	Bar enhed (ingen oplader)
Indgangsspænding	V_{AC}	220 - 230	
Udgangsspænding	V_{DC}	2000mA	
Strømsstyrke	mA	2000	
Ladetid ca.	timer	2,75	

Lydtrykniveau i henhold til EN 60745:

Lydtryk: (L_{pA}) 78 dB(A), usikkerhed (K) 3 dB(A)

Lydeffekt: GTC18504PC (L_{WA}) 92,5 dB(A), usikkerhed (K) 2,5 dB(A)

Samlede værdier for vibration (triaksial vektorsum) i henhold til EN 60745:

Vibrationsemissionsværdi: GTC18504PC (a_{hV}) 2,7 m/s^2 , usikkerhed (K) 1,5 m/s^2

EU-overensstemmelseserklæring
 MASKINDIREKTIV
 DIREKTIV OM STØJEMISSION FRA MASKINER TIL
 UDENDØRS BRUG



GTC5455PC, GTC5455PCB hækkeklipper
 Black & Decker erklærer, at produkterne beskrevet under
 "Tekniske data" er i overensstemmelse med:
 2006/42/EU, EN 60745-1:2009 + A11:2010, EN 60745-2-
 15:2009 +A1:2010

2000/14/EU, hækkeklipper 1300min⁻¹, bilag VMålt lydeffekt (L_{WA}) 92,5 dB(A)

Usikkerhed (K) = 2,5 dB(A)

Garanteret lydeffekt (L_{WA}) 92,5 dB(A)

Disse produkter er endvidere i overensstemmelse med direktiv 2004/108/EF og 2011/65/EU. Kontakt Black & Decker på nedenstående adresse eller se vejledningens bagside for at få yderligere oplysninger.

Undertegnede er ansvarlig for udarbejdelsen af de tekniske data og fremsætter denne erklæring på vegne af Black & Decker.



Ray Laverick

Direktør for konstruktioner

Black & Decker Europe, 210 Bath Road, Slough,

Berkshire, SL1 3YD

Storbritannien

23/09/2016

Garanti

Black & Decker er sikker på kvaliteten af sine produkter og giver forbrugerne en garanti på 24 måneder fra købsdatoen. Garantien er et tillæg til forbrugers lovbestemte rettigheder og påvirker ikke disse. Garantien er gyldig inden for medlemsstaterne af Den Europæiske Union og Det Europæiske Frihandelsområde.

Når du gør krav på garantien, skal kravet være i overensstemmelse med Black&Decker vilkår og betingelser, og du skal indsende dokumentation for købet til sælgeren eller til en autoriseret reparatør. Vilkår og betingelser for Black & Decker 2 års garanti og placeringen af dit nærmeste autoriserede serviceværksted kan fås på internettet på www.2helpU.com, eller ved at kontakte dit lokale Black & Decker kontor på den adresse, der er angivet i denne vejledning.

Besøg venligst vores websted www.blackanddecker.co.uk for at registrere dit nye Black & Decker produkt og modtage opdateringer om nye produkter og specielle tilbud.

Käyttötarkoitus

BLACK+DECKER™ GTC5455PC, GTC5455PCB

-pensasleikkurit on tarkoitettu pensaiden leikkaamiseen.

Nämä työkalut on tarkoitettu vain yksityiskäyttöön.

Turvallisuusohjeet

Sähkötyökalujen yleiset turvavaroitukset



Varoitus! Lue kaikki turvallisuusvaroitukset ja ohjeet. Alla olevien varoitusten ja ohjeiden noudattamisen laiminlyönti saattaa johtaa sähköiskuun, tulipaloon ja/tai vakavaan loukkaantumiseen.

Säästä kaikki varoitukset ja ohjeet tulevaa käyttöä varten. Varoituksissa käytetty käsite "sähkötyökalu" tarkoittaa verkkokäyttöisiä sähkötyökaluja (joissa on verkkojohto) ja akkukäyttöisiä sähkötyökaluja (joissa ei ole verkkojohtoa).

1. Työalueen turvallisuus

- Pidä työalue puhtaana ja varmista sen hyvä valaistus.** Onnettomuuksia sattuu herkemmin epäsiistissä tai huonosti valaistussa ympäristössä.
- Älä käytä sähkötyökalua räjähdysalttiissa ympäristössä, jossa on syttyvää nestettä, kaasua tai pölyä.** Sähkötyökalujen aiheuttamat kipinät voivat sytyttää pölyn tai kaasut.
- Pidä lapset ja sivulliset loitolla sähkötyökalua käyttäessäsi.** Keskeyttämiskyvyn herpaantuminen voi aiheuttaa hallinnan menettämisen.

2. Sähköturvallisuus

- Sähkötyökalun pistokkeen on sovittava pistorasiaan. Älä koskaan tee pistokkeeseen mitään muutoksia. Älä yhdistä maadoitettua sähkötyökalua jatkojohtoon.** Sähköiskun vaara vähenee, jos pistokkeisiin ei tehdä muutoksia ja ne yhdistetään vain niille tarkoitettuihin pistorasioihin.
- Vältä koskettamasta maadoitettuja pintoja, kuten putkia, lämpöpattereita, liesiä tai jääkaappeja.** Voit saada sähköiskun, jos kehosi on maadoitettu.
- Älä altista sähkötyökalua sateelle tai kosteudelle.** Sähkötyökaluun menevä vesi lisää sähköiskun vaaraa.
- Älä käsittele virtajohtoa kovakouraisesti. Älä kannata työkaluja sähköjohtosta tai vedä pistoketta pistorasiasta sähköjohtoa avulla. Pidä sähköjohto kaukana kuumuudesta, öljystä, terävistä reunoista tai liikkuvista osista.** Vaurioituneet tai sokeutuneet johdot lisäävät sähköiskun vaaraa.
- Käyttäessäsi sähkötyökalua ulkona käytä ainoastaan ulkokäyttöön soveltuvaa jatkojohtoa.**

- Ulkokäyttöön tarkoitettujen sähköjohdon käyttäminen vähentää sähköiskun vaaraa.
- f. **Jos sähkötyökälyä on välttämättä käytettävä kosteassa paikassa, käytä vikavirtasuojalla (RCD) suojattua virtälähdettä.** Tämä vähentää sähköiskun vaaraa.
3. **Henkilöturvallisuus**
- a. **Ole valpas, keskity työhön ja noudata tervettä järjeä sähkötyökälyn käytössä. Älä käytä tätä työkalua ollessasi väsynyt tai alkoholin, huumeiden tai lääkkeiden vaikutuksen alaisena.** Keskittymisen herpaantuminen hetkeksikin sähkötyökälyä käytettäessä voi aiheuttaa vakavan henkilövahingon.
- b. **Käytä henkilökohtaisia suojavaroiteita. Käytä aina suojalaseja.** Hengityssuojaimen, liukumattomien turvajalkineiden, kypärän ja kuulosuojaimen käyttäminen vähentää henkilövahinkojen vaaraa.
- c. **Vältä tahatonta käynnistämistä. Varmista, että kytkin on OFF-asennossa, ennen kuin liität laitteen virtälähteeseen ja/tai akkuun, nostat laitteen tai kannat sitä.** Sähkötyökälyn kantaminen sormi virtakytkimellä lisää onnettomuusvaaraa.
- d. **Irrota mahdollinen säätö- tai kiintoavain ennen kuin käynnistät sähkötyökälyn.** Sähkötyökälyn pyöriivään osaan kiinni jäänyt avain voi johtaa loukkaantumiseen.
- e. **Älä kurkota. Huolehdi siitä, että sinulla on koko ajan tukeva jalansija ja hyvä tasapaino.** Näin voit hallita sähkötyökälyä paremmin odottamattomissa tilanteissa.
- f. **Käytä tarkoitukseen soveltuvia vaatteita. Älä käytä löysiä vaatteita tai koruja. Pidä hiukset, vaatteet ja kädet loitolla liikkuvista osista.** Löysät vaatteet, korut tai pitkät hiukset voivat tarttua liikkuviin osiin.
- g. **Jos työkalun voi liittää pölynimuriin, tarkista, että liitos on tehty asianmukaisesti ja että laitteita käytetään oikealla tavalla.** Pölyn ottaminen talteen voi vähentää pölyn aiheuttamia vaaroja.
4. **Sähkötyökälyjen käyttö ja hoito**
- a. **Älä yliuormita sähkötyökälyä. Valitse käyttötarkoituksen kannalta oikea sähkötyökäly.** Sähkötyökäly toimii paremmin ja turvallisemmin, kun sitä käytetään sille suunniteltuun käyttötarkoitukseen.
- b. **Älä käytä sähkötyökälyä, jota ei voida käynnistää ja pysäyttää virtakytkimestä.** Jos sähkötyökälyä ei voi hallita kytkimen avulla, se on vaarallinen ja se on korjattava.
- c. **Irrota pistotulppa pistorasiasta ja/tai akku laitteesta ennen kuin suoritat säätöjä, vaihdat tarvikkeita tai siirrä sähkötyökälyn varastoitavaksi.** Näin voit vähentää vahingossa käynnistymisen aiheuttaman henkilövahingon vaaraa.
- d. **Säilytä sähkötyökäly poissa lasten ulottuvilta, kun niitä ei käytetä. Älä anna sähkötyökälyä sellaisen henkilön käyttöön, joka ei tunne sitä tai joka ei ole tutustunut tähän käyttöohjeeseen.** Sähkötyökälyt ovat vaarallisia kouluttamattomien käyttäjien käsissä.
- e. **Hoida sähkötyökälysi huolella. Tarkista, että liikkuvat osat toimivat moitteettomasti ja etteivät ne ole puristuksessa.** Tarkista myös, ettei työkalussa ei ole murtuneita tai vahingoittuneita osia, jotka saattaisivat vaikuttaa haitallisesti sen toimintaan. Jos havaitset vaurioita, korjauta sähkötyökäly ennen niiden käyttämistä. Huonosti kunnossapidetyt sähkötyökälyt aiheuttavat onnettomuuksia.
- f. **Pidä leikkausterät terävinä ja puhtaina.** Kunnossa pidettyjen leikkaavien teräviä reunoja sisältävien työkalujen todennäköisyys jumiutua vähenee, ja niitä on helpompi hallita.
- g. **Käytä sähkötyökälyä, tarvikkeita, vaihtoteriä yms. näiden ohjeiden mukaisesti. Ota tällöin huomioon työolosuhteet ja suoritettava toimenpide.** Jos sähkötyökälyä käytetään näiden ohjeiden vastaisesti, voi syntyä vaaratilanne.
5. **Akkutyökälyn käyttö ja huolto**
- a. **Lataa akku vain valmistajan määrittelemällä laturilla.** Laturi, joka on sopiva yhden tyyppiselle akulle, voi aiheuttaa tulipalon vaaran, jos sitä käytetään toisen tyyppisellä akulla.
- b. **Käytä sähkötyökälyssä ainoastaan kyseiseen sähkötyökälyyn tarkoitettua akkua.** Muun tyyppisen akun käyttö saattaa johtaa loukkaantumiseen ja tulipaloon.
- c. **Pidä irrallinen akku loitolla metalliesineistä, kuten paperiliitimistä, kolikoista, avaimista, nauloista, ruuveista tai muista pienistä metalliesineistä, jotka voivat aiheuttaa oikosulun akun navoissa.** Kennon pinteiden oikosulku voi aiheuttaa palovammoja tai tulipalon.
- d. **Väärin käytetystä akusta voi vuotaa nestettä. Älä kosketa sitä. Jos nesteen kanssa joutuu kosketuksiin, huuhtelee vedellä. Jos nestettä joutuu silmiin, hakeudu lisäksi lääkärin hoitoon.** Akusta roiskunut neste saattaa aiheuttaa ärsytystä tai palovammoja.
6. **Huolto**
- a. **Korjauta sähkötyökäly koulutetulla ja ammattitaitoisella henkilöllä ja hyväksy korjauksiin vain alkuperäisiä varoosia.** Tämä varmistaa sähkötyökälyn turvallisuuden.
- Sähkötyökälyjen lisäturvavaroitukset**



Varoitus! Pensasleikkureiden lisäturvavaroitukset

- ◆ **Älä pidä kehoa lähellä leikkurin terää. Älä poista leikattua materiaalia tai pidä leikattavasta materiaalista kiinni terien liikkuesssa. Varmista, että virta on katkaistu, kun poistat kiinni juutunutta materiaalia.** Hetken tarkkaamattomuus työkalua käytettäessä saattaa johtaa vakavaan loukkaantumiseen.
- ◆ **Kanna pensasleikkuria kahvasta, kun leikkurin terä on pysäytetty. Aseta leikkurin suojus paikalleen pensasleikkurin kuljetuksen ja varastoinnin ajaksi.** Pensasleikkurin oikea käsittely pienentää leikkurin terien aiheuttamien vammojen riskiä.
- ◆ **Pitele sähkötyökalua vain sen eristävästä tartuntapinnosta, sillä terä voi osua piilossa oleviin sähköjohtoihin.** Terien kosketus jännitteisen johtimen kanssa voi tehdä myös työkalun paljaista metalliosista jännitteisiä ja aiheuttaa sähköiskun käyttäjälle.
- ◆ Tarkoitettu käyttö on kuvattu tässä käyttöohjeessa. Käytä työkalua ainoastaan sellaiseen työhön, johon se on tarkoitettu, ja käytä vain käyttöohjeessa ja tuotekuvastossa suositeltuja tarvikkeita ja lisälaitteita. Ohjeesta poikkeava käyttö voi aiheuttaa henkilö- ja/tai omaisuusvahinkoja.
- ◆ Älä kanna työkalua siten, että kätesi on etukahvassa, kytkimellä tai liipaisinkytkimellä, ellei akku on irrotettu.
- ◆ Jos et ole ennen käyttänyt pensasleikkuria, pyydä käytännön ohjeita kokoneelta käyttäjältä tämän käyttöoppaan ohjeiden lisäksi.
- ◆ Älä koskaan koske teriin työkalun ollessa käynnissä.
- ◆ Älä jarruta terän pysähtymisliikettä.
- ◆ Älä laske työkalua alas, ennen kuin terät ovat pysähtyneet kokonaan.
- ◆ Tarkista säännöllisesti, etteivät terät ole vahingoittuneet tai kuluneet. Älä käytä työkalua, jos sen terät ovat vioittuneet.
- ◆ Vältä kovia esineitä (esimerkiksi metallilankaa, kaiteita) leikkauksen aikana. Jos osut tällaiseen esineeseen vahingossa, katkaise työkalun virta heti ja tarkista vauriot.
- ◆ Jos työkalu alkaa täristä epätavallisesti, katkaise työkalun virta heti, irrota akku ja tarkista vauriot.
- ◆ Jos työkalu pysähtyy, katkaise sen virta heti. Irrota akku, ennen kuin yrität poistaa esteet.
- ◆ Aseta teränsuojus terien päälle käytön jälkeen. Säilytä työkalua siten, ettei sen terä ole paljaana.
- ◆ Varmista, että kaikki suojukset ovat paikallaan työkalua käytettäessä. Älä koskaan yritä käyttää puutteellista työkalua tai työkalua, johon on tehty luovattomia muutoksia.
- ◆ Älä koskaan anna lasten käyttää työkalua.
- ◆ Varo putoavia oksia, kun leikkaat pensasaidan yläreunoja.
- ◆ Pidä työkalusta aina kiinni molemmin käsin työkaluun kahvoista.

Muiden henkilöiden turvallisuus

- ◆ Tämä laite ei ole tarkoitettu henkilöiden (mukaan lukien lapset) käytettäväksi, joiden fyysiset, sensoriset tai henkiset kyvyt tai kokemus ja tietämys ovat rajalliset. Heidän turvallisuudestaan tulee huolehtia heistä vastuussa oleva henkilö tai paikalla tulee olla henkilö, joka neuvoo miten laitetta tulee käyttää.
- ◆ Lapsia tulee valvoa ja varmistaa, että he eivät leiki laitteella.

Muut riskit

- Myös muut kuin turvavaroituksissa mainitut riskit ovat mahdollisia työkalua käytettäessä. Nämä riskit voivat liittyä muun muassa virheelliseen tai pitkäaikaiseen käyttöön. Tiettyjä jännönsrkejä ei voi välttää, vaikka noudat kaikkia turvamääräyksiä ja käytät turvalaitteita. Näitä ovat:
- ◆ Pyörievien tai liikkuvien osien koskettamisen aiheuttamat vahingot.
 - ◆ Osia, teriä tai lisävarusteita vaihdettaessa aiheutuneet vahingot.
 - ◆ Työkalun pitkäaikaisen käytön aiheuttamat vahingot. Varmista, että pidät säännöllisesti taukoja työkalun pitkäaikaisen käytön aikana.
 - ◆ Kuulon heikkeneminen.
 - ◆ Työkalua käytettäessä (esimerkiksi puuta, erityisesti tammea, pöykkiä ja MDF-levyjä, käsiteltäessä) syntyneen pölyn sisäänhengityksen aiheuttamat terveysriskit).

Tärinä

Teknisissä tiedoissa ja vaatimustenmukaisuusilmoituksessa ilmoitetut tärinäpäästöarvot on mitattu standardin EN 60745 testausmenetelmän mukaisesti, ja niiden avulla voidaan vertailla työkaluja keskenään. Ilmoitettua tärinäpäästöarvoa voi käyttää myös altistumisen alustavaan arviointiin.

Varoitus! Sähkötyökalun käytön aikana mitattu todellinen tärinäpäästöarvo voi poiketa ilmoitetusta tärinäpäästöarvosta työkalun käyttötavan mukaan. Tärinätasoa voi olla ilmoitettu tasoa suurempi.

Kun tärinälle altistumista arvioidaan sen määrittämiseksi, mitä direktiivin 2002/44/EY mukaisia turvatoimenpiteitä vaaditaan sähkötyökaluja säännöllisesti käyttävien henkilöiden suojelemiseksi, tärinälle altistumisen arvioinnissa on otettava huomioon todelliset käyttöolosuhteet ja työkalun käyttötavat. Todellisen käytön lisäksi on kiinnitettävä huomiota myös siihen, milloin työkalu on sammutettuna tai se käy tyhjäkäynnillä.

Työkalun tarrat

Työkaluun on merkitty päivämääräkoodi sekä seuraavat varoitusmerkinnät:



Varoitus! Käyttäjän on luettava käyttöohje vahinkojen välttämiseksi.



Käytä suojalaseja, kun käytät laitetta.



Käytä kuulosuojaimia, kun käytät työkalua.



Älä käytä työkalua sateessa tai erittäin kosteissa olosuhteissa.



Direktiivin 2000/14/EY mukainen taattu ääniteho.

Akkuja ja laturia koskevat lisäturvaohjeet

Akut

- Älä koskaan yritä avata mistään syystä.
- Älä anna akun kastua.
- Älä säilytä paristoja tiloissa, joissa lämpötila voi nousta yli 40 °C:een.
- Lataa akku paikassa, jonka lämpötila on vähintään 10 °C ja enintään +40 °C.
- Lataa akku ainoastaan työkalun mukana toimitetulla laturilla.
- Noudata paristoja hävittäessäsi kohdassa "Ympäristönsuojelu" annettuja ohjeita.



Älä koskaan yritä ladata viallisia akkuja.

Laturit

- Käytä BLACK+DECKER-laturia vain laitteen mukana toimitetun akun lataamiseen. Muut akut voivat räjähtää ja aiheuttaa henkilövahinkoja tai aineellisia vahinkoja.
- Älä koskaan yritä ladata paristoja, joita ei ole tarkoitettu ladattavaksi.
- Vaihda vialliset johdot välittömästi ehjiin.
- Suojaa laturi vedeltä.
- Älä avaa laturia.
- Älä työnnä mitään laturin sisään.



Laturi on tarkoitettu ainoastaan sisäkäyttöön.



Lue käyttöohjeet huolellisesti ennen laitteen käyttöä.

Tärkeää: 54V akut BL1554 & BL2554 saa ladata vain seuraaville latureilla:

90589867, 90621477, 90590287-01, 90590289-01, 90602042-01, 90590287-02, 90590289-02, 90599854-02, 90599854-06, 90599853-05, 90634971, 90634972, 90634973, 90642266, 90642264, 90642265, BDC2A

Sähköturvallisuus



Laturi on kaksoeristetty, joten erillistä maadoitusta ei tarvita. Tarkista aina, että verkkojännite vastaa arvokilvessä ilmoitettua jännitettä. Älä yritä vaihtaa laturiin tavallista verkkovirran pistoketta.

- Jos virtajohto vahingoittuu, sen vaihtaminen on turvallisuussyistä jätettävä valmistajan tai valtuutetun BLACK+DECKER-huollon tehtäväksi.

Yleiskuvaus

Tässä työkalussa on joitakin tai kaikki seuraavista ominaisuuksista.

1. Liipaisukytkin
2. Lukituskytkin
3. Kahva
4. POWERCOMMAND-painike
5. Terän suojus
6. Työntöaisa
7. Terä
8. Sahanterä
9. Sahanterän kenkä
10. Kaksijännitteinen akku (vain laitteen GTC5455PC kanssa)
11. Kaksijännitteinen paneeli (vain laitteen GTC5455PC kanssa)
12. Laturi (vain laitteen GTC5455PC kanssa)

Asennus

Varoitus! Ennen kuin kokoat työkalun, poista akku laitteesta ja aseta teränsuojus terien päälle.

Varoitus! Ennen kuin kokoat työkalun, varmista, että työkalun virta on katkaistu, sähköpistoke on irrotettu sähköverkosta ja teränsuojus on terien päällä.

Varoitus! Älä koskaan käytä työkalua ilman suojusta.

Lataaminen

BLACK+DECKER-laturit on tarkoitettu BLACK+DECKER-akkujen lataamiseen.

- Yhdistä laturi (12) sopivaan pistorasiaan ennen kuin laitat siihen akun.
- Aseta akku laturiin kuvan A mukaisesti.
- Vihreä LED-merkkivalo (12a) vilkkuu käynnissä olevan latauksen merkiksi.
- Kun lataus on valmis, vihreä LED-valo (12a) jää palamaan jatkuvasti. Akku on täysin ladattu ja sitä voidaan käyttää heti tai sen voi jättää laturiin.

Huomautus: Lataa tyhjennetyt akut mahdollisimman pian käytön jälkeen, muutoin akun käyttöikä voi lyhentyä. Vältä akkuvirran purkautumista kokonaan loppuun akun käyttöiän maksimoimiseksi. Suosittelemme akkujen lataamista jokaisen käyttökerran jälkeen.

Akun jättäminen laturiin

Akku (11) voidaan jättää laturiin (12), kun LED-merkkivalo palaa. Laturi pitää akun käyttövalmiina ja ladattuna.

Tärkeitä huomautuksia lataamiseen

- ◆ Pisin käyttöikä ja paras suorituskyky saavutetaan, kun akkua ladataan lämpötilassa 18 °C - 24 °C (65 °F - 75 °F). ÄLÄ lataa akkua alle +4,5 °C (+40°F) tai yli +40,5 °C (+105°F) lämpötilassa. Tämä on tärkeää ja se estää akun vakavat vauriot.
- ◆ Laturi ja akku voivat kuumentua latauksen aikana. Tämä on normaalia, eikä ole osoitus ongelmasta. Jotta akku jäähtyisi käytön jälkeen, vältä asettamasta laturia tai akkua lämpimään ympäristöön, kuten metallikoteloon tai eristämättömän perävaunun päälle.
- ◆ Jos akku ei lataudu oikein:
 - ◆ Tarkista pistorasian sähkövirta kytkemällä siihen lamppu tai jokin muu laite.
 - ◆ Tarkista valojen sammuttamisen yhteydessä virran katkaisevaa valokytkintä liitetty pistorasiaan.
 - ◆ Siirrä laturi ja akku paikkaan, jossa ympäristölämpötila on noin 18 °C - 24 °C (65°F - 75°F).
 - ◆ Jos latausongelmat jatkuvat, vie työkalu akun ja laturin ohella paikalliseen huoltopalveluun.
- ◆ Akku täytyy ladata uudelleen, kun se ei enää tuota riittävästi tehoa töissä, joka voitiin aikaisemmin tehdä helposti. ÄLÄ JATKA TYÖKALUN KÄYTTÖÄ näissä olosuhteissa. Noudata latausohjeita. Voit halutessasi myös ladata osittain käytetyn akun milloin tahansa, ilman että siitä olisi haittaa akulle.
- ◆ Vieraat johtavat aineet, kuten teräsilla, alumiinifolio tai metallihiukkaskertymät, niihin kuitenkaan rajoittumatta, on pidettävä poissa laturin aukoista. Irrota laturi aina tehonsyötöstä, kun laturissa ei ole akkua. Irrota laturi tehonsyötöstä ennen kuin yrität puhdistaa sitä.
- ◆ Älä pakasta tai upota laturia veteen tai muihin nesteisiin.

Varoitus! Älä päästä nestettä laturin sisään. Älä koskaan yritä avata akkuyksikköä mistään syystä. Jos akun muovikotelo rikkoutuu tai halkeaa, palauta se huoltopalveluun kierrätystä varten.

Varustilan merkkivalo (kuva B)

Akussa on varaustilan merkkivalo. Sen avulla voit tarkistaa akun varaustilan käytön ja lataamisen aikana. Se ei osoita työkalun toimintaa ja se voi vaihdella tuotteen osien, lämpötilan ja käyttötarkoituksen mukaan.

Varustilan tarkistus käytön aikana

- ◆ Tarkista varaustila painamalla painiketta (B1).
- ◆ Kolme LED-merkkivaloa (B2) syttyy ilmoittaen akun lataustilan prosenttilukuna. Katso taulukon kuva B.
- ◆ Jos LED-merkkivalo ei syty, lataa akku.

Laturin vianmääritys (kuva E)

Katso akun lataustaso kuvan E merkkivaloista.

Viallinen akku

Jos näet tämän heikosta akun kunnosta ilmoittavan vilkkumisen, lopeta akun lataus. Vie se huoltopalveluun tai kierrätyspisteeseen.

Akun kuuma-/kylmäviive

Kun laturi tunnistaa liian kuumaa tai kylmää akku, se käynnistää automaattisesti kuuma-/kylmäviiveen pysäyttäen latauksen, kunnes akku on saavuttanut oikean lämpötilan. Laturi palaa sen jälkeen automaattisesti akun lataustilaan.

Tämä toiminto takaa akun maksimaalisen käyttöiän. Kylmä akku latautuu hitaammin kuin lämmin akku. Akku latautuu hitaammin koko latausjakson ajan, sen latautumisnopeus ei palaudu nopeaksi, vaikka akku lämpenisi.

Akun asentaminen ja poistaminen työkalusta

Varoitus! Varmista ennen akun irrottamista tai asentamista, että lukituspainike on lukitussa asennossa virtakytkimen tahattoman käytön estämiseksi.

Akun asentaminen (kuva C)

- ◆ Aseta akku (10) työkaluun, kunnes kuulet napsahduksen (kuva C)
- ◆ Varmista, että akku on kokonaan paikoillaan ja lukittu paikoilleen.

Akun poistaminen (kuva D)

- ◆ Paina akun vapautuspainiketta (10a) kuvan D mukaisesti ja vedä akku (10) irti työkalusta.

Dualvolt 54V -akku (kuva F)

Dualvolt 54V -akkua voidaan käyttää akkutoimisissa 54V ja 18V Black+Decker -työkaluissa. Akku tunnistaa työkalun, johon se on kytketty, ja se toimii vastaavalla teholla pitemmän käyttöajan varmistamiseksi 18V työkaluissa. Varaustason painike (11) ilmoittaa varaustason malleissa 54V ja 18V.

Käyttö

- ◆ Käynnistä laite painamalla lukituspainike (2) alas, puristamalla liipaisinta (1) ja painamalla kaksoiskytkimen työntöaisaa (6) kuvan G mukaisesti. Kun laite on toiminnassa, voit vapauttaa lukituspainikkeen. Pidä laite käynnissä painamalla edelleen liipaisinta.

Varoitus! Älä koskaan yritä lukita kytkimiä käyttöasentoon.

Leikkausohjeet

- ◆ Seiso tukevasti ja tasapainossa äläkä kurkota. Käytä suojalaseja ja luisumattomia jalkineita leikkaamisen aikana. Pitele laitetta hyvin molemmilla käsillä ja käynnistä se. Pidä leikkuria aina tämän ohjekirjan kuvien mukaisesti pitäen yhtä kättä kytkinkahvassa ja toista kättä työntöaisassa (kuva G). Älä koskaan pidä kiinni laitteen terän suojuksesta.

Uuden kasvun leikkaaminen (kuva H)

- ◆ Tehokkain tapa leikata on laaja pyyhkäisyliike, jolloin terän hampaat syötetään oksien läpi. Paras leikkaustulos saavutetaan kallistamalla terää kevyesti alaspäin liikkeen suuntaan.

Varoitus! Älä leikkaa yli 19 mm:n suuruisia varsia. Leikkaa leikkurilla ainoastaan normaaleja rakennuksien ympärillä olevia pensaita.

Pensaiden tasoitus (kuva I)

- ◆ Erittäin tasaisten pensaiden leikkaamiseksi yhtä lankakappaletta voidaan venyttää pensaan pituussuunnassa ohjaimena.

Pensaiden sivujen leikkaus (kuva J)

- ◆ Pitele leikkuria kuvan mukaisesti, aloita alaosasta ja etene ylöspäin.

POWERCOMMAND-toiminto (kuva K)

Jos huomaat tukoksen, paina POWERCOMMAND-painiketta (4) kuvan K mukaisesti. Terät liikkuvat edestakaisin hitaammin ja tehokkaammin vaikeiden oksien leikkaamiseksi. Vapauta painike palauttaaksesi normaalin pensasleikkaustilan.

Huomautus: Terien täysi kiertonopeus palautuu välittömästi painikkeen vapauttamisen jälkeen.

Huomautus: Terät pysähtyvät, kun painiketta pidetään alhaalla 15 sekunnin ajan. Kytke POWERCOMMAND-toiminto uudelleen päälle vapauttamalla painike ja painamalla sitä uudelleen. ÄLÄ pidä POWERCOMMAND-painiketta jatkuvasti alhaalla normaalin pensasleikkaajan aikana.

Sahanterän kenkä (kuva L)

Jos oksat ovat liian suuria terälle (7), käytä sahanterää (8). Aseta sahanterä mahdollisimman lähelle oksan alaosaa. Aseta sahanterän kenkä (9) oksaa vasten. Käännä pensasleikkuria yllä kuvatulla tavalla niin, että työkalu toimii omaan tahtiin oksaan leikkaamiseksi kokonaan.

Huolto

Verkkojohdolla varustettu tai verkkojohdoton BLACK+DECKER-laite on suunniteltu toimimaan mahdollisimman kauan mahdollisimman vähällä huollolla.

Oikea käsittely ja säännöllinen puhdistus varmistavat laitteen ongelmattoman toiminnan.

Varoitus! Ennen verkkojohdolla varustetun tai verkkojohdoton sähkötyökalun huoltoa toimi seuraavasti:

- ◆ Sammuta laite/työkalu ja irrota se verkkovirrasta.
- ◆ Jos laitteessa/työkalussa on erillinen akku, sammuta laite/työkalu ja irrota sen akku.
- ◆ Jos akku on ehjä, käytä akku täysin loppuun ja sammuta laite sitten.
- ◆ Irrota laturi pistorasiasta ennen laturin puhdistamista. Laturi ei tarvitse säännöllisen puhdistamisen lisäksi mitään muuta huoltoa.
- ◆ Puhdista laitteen/työkalun/laturin ilma-aukot säännöllisesti pehmeällä harjalla tai kuivalla kangasliinalla.
- ◆ Puhdista moottorikotelo säännöllisesti kostealla liinalla. Älä käytä hankaavia tai liuotinpohjaisia puhdistusaineita.
- ◆ Puhdista terät huolellisesti käytön jälkeen. Voitele terät ohuesti öljyllä puhdistuksen jälkeen. Näin ne eivät ruostu.

Leikkuuterät on valmistettu korkealuokkaisesta karkaistusta teräksestä. Niiden teroitus ei ole tarpeen normaalissa käytössä. Jos kuitenkin osut terällä vahingossa aitaan, kivimateriaaleihin, lasiin tai muihin koviin kohteisiin, terään voi tulla särö.

Särön korjaaminen ei ole tarpeen, ellei se vaikuta terän liikkeeseen. Jos se vaikuttaa liikkeeseen, irrota akku ja poista särö hienohampaisella viilalla tai teroituskivellä.

Jos leikkuri putoaa, tarkista se huolellisesti vaurioiden varalta. Jos terä on taipunut, kotelo haljennut tai kahvat vaurioituneet tai jos jokin muu ongelma vaikuttaa leikkurin toimintaan, ota yhteyttä paikalliseen BLACK+DECKER-huoltopalveluun laitteen korjaamiseksi ennen sen uudelleen käyttöä. Lannoitteet ja muut puutarhakemikaalit sisältävät aineita, jotka nopeuttavat metallien korroosiota. Laitetta ei saa säilyttää lannoitteiden tai kemikaalien päällä tai niiden lähellä. Käytä laitteen puhdistamiseen vain mietoa pesuainetta ja kosteaa kangasta ja varmista, että akku on irrotettu. **Älä koskaan päästä nestettä valumaan laitteen sisään äläkä upota mitään laitteen osaa nesteeseen.** Estä terien ruostuminen levittämällä mietoa koneöljyä puhdistamisen jälkeen.

Varaverkkopistoke (vain Iso-Britannia ja Irlanti)

Jos uusi verkkopistoke täytyy asentaa:

- ◆ Hävitä vanha pistoke ympäristöystävällisesti.
- ◆ Liitä ruskea johto uuden pistokkeen jännitteeseen napaan.
- ◆ Liitä sininen johto tähtipisteliittimeen.

Varoitus! Maadoitusliittimeen ei tule tehdä liitoksia.

Noudata korkealaatuisten pistokkeiden mukana toimitettuja asennusohjeita. Suositeltu varoke: 5 A.

Vianetsintä		
Ongelma	Mahdollinen syy	Mahdollinen ratkaisu
Hidas käynti, huomattavaa melua tai kuumat terät.	Kuivat, ruostuneet terät.	Voitele terät.
	Taipunut terä tai terän tuki.	Suorista terä tai terän tuki.
	Taipuneet tai vaurioituneet hampaat.	Suorista hampaat.
	Löysää terän pultit.	Kiristä terän pultit.
Laitte ei käynnisty.	Akkua ei ole asennettu oikein.	Tarkista akun asennus.
	Akku ei ole latautunut.	Tarkista akun latausvaatimukset.
	Lukituspainike ei toimi hyvin.	Tarkista, että lukituspainike on painettu kokonaan alas ennen liipaisimen käyttöä.
Akku ei lataudu	Akkua ei ole asetettu laturiin.	Aseta akku laturiin, kunnes vihreä LED-valo syytyy. Lataa korkeintaan 8 tuntia, jos akku on tyhjentynyt kokonaan.
	Laturia ei ole kytketty pistorasiaan.	Kytke laturi pistorasiaan. Katso lisätietoa osiosta "Tärkeitä huomautuksia lataamiseen". Tarkista pistorasian sähkövirta kytkemällä siihen lamppu tai jokin muu laite. Tarkista valojen sammuttamisen yhteydessä virran katkaisevaa valokytkintä liitetty pistorasiaan.
	Ympäristölämpötila on liian korkea tai liian alhainen.	Siirrä laturi ja työkalu ympäristöön, jonka lämpötila on yli 4,5 °C ja alle +40,5 °C.

Laturi		BDC2A	Pelkkä laite (ilman laturia)
Syöttöjännite	V_{AC}	220 - 230	
Lähtöjännite	V_{DC}	2000mA	
Virta	mA	2000	
Arvioitu latausaika	h	2,75	

Äänenpainetaso, määritetty EN 60745-standardin mukaan:Äänenpaine: (L_{pA}) 78 dB(A), epävarmuus (K) 3 dB(A)Äänenteho: GTC18504PC (L_{WA}) 92,5 dB(A) epävarmuus (K) 2,5 dB(A)

Tärinän kokonaisarvot (vektorisumma) standardin EN 60745 mukaisesti:

Tärinäpäästöarvo: GTC18504PC (a_{hV}) 2,7 m/s², epävarmuus (K) 1,5 m/s²**EY-vaatimustenmukaisuusvakuutus**KONEDIREKTIIVI
ULKOILMAMELUDIREKTIIVI

GTC5455PC, GTC5455PCB Pensasleikkuri
Black & Decker ilmoittaa, että tuotteet, jotka on kuvattu
kohdassa Tekniset tiedot, täyttävät seuraavien direktiivien
vaatimukset:

2006/42/EY, EN 60745-1:2009 + A11:2010, EN 60745-2-
15:2009 + A1:2010

2000/14/EC, pensasleikkuri 1300 min⁻¹, liite V

Mitattu äänitaho (L_{WA}) 92,5 dB(A)

Epävarmuus (K) 2,5 dB(A)

Taattu äänitaho (L_{WA}) 92,5 dB(A)

Nämä tuotteet täyttävät myös direktiivien 2004/108/EY ja
2011/65/EU vaatimukset. Lisätietoja saa ottamalla yhteyden
Black & Deckeriin seuraavassa osoitteessa. Tiedot ovat myös
käyttöohjeen takakannessa.

Allekirjoittanut vastaa teknisten tietojen kokoamisesta tehden
tämän ilmoituksen Black & Deckerin puolesta.

Ray Laverick

Teknisen osaston johtaja

Black & Decker Europe, 210 Bath Road, Slough,

Berkshire, SL1 3YD

Iso-Britannia

23.9.2016

Ympäristönsuojelu

Toimita tämä laite erilliskeräykseen. Tällä symbolilla merkityjä tuotteita ja akkuja ei saa hävittää tavallisen kotitalousjätteen mukana.

Tuotteissa ja akkuissa on materiaaleja, jotka voidaan ottaa talteen tai kierrättää uudelleen käyttöä varten. Kierrätä sähkölaitteet ja akut paikallisten määräyksien mukaan.

Tekniset tiedot

		GTC5455PC	GTC5455PCB
Jännite	V_{DC}	54	54
Teräiskut (ilman kuormaa)	min ⁻¹	2600	2600
Terän pituus	cm	60	60
Terien väli	mm	19	19
Paino	kg	3,83	2,775
Akku		BL2554	Pelkkä laite (ilman akkua)
Jännite	V_{DC}	54	
Teho	Ah	1,5	
Tyyppi		Li-Ion	

Takuu

Black & Decker on vakuuttunut tuotteidensa korkeasta laadusta ja tarjoaa kuluttajille 24 kuukauden takuun, joka astuu voimaan ostopäivänä. Takuu on lisäys kuluttajan laillisiin oikeuksiin eikä vaikuta niihin. Tämä takuu on voimassa kaikissa EU- ja ETA-maissa.

Edellytyksenä takuun saamiselle on, että vaade täyttää Black & Deckerin ehdot ja että ostaja toimittaa ostotositteen jälleenmyyjälle tai valtuutetulle huoltoilikeelle. Black & Deckerin kahden vuoden takuun ehdot ja lähimmän valtuutetun korjauspalvelun yhteystiedot ovat saatavilla osoitteessa www.2helpU.com tai ottamalla yhteyttä paikalliseen Black & Deckerin toimipisteeseen tässä ohjekirjassa ilmoitettuihin osoitteisiin.

Käy verkkosivuillemme osoitteessa www.blackanddecker.fi ja rekisteröi uusi Black & Decker -tuotteesi saadaksesi tietoa uusista tuotteista ja erikoistarjouksista.

ΕΛΛΗΝΙΚΑ

(Μετάφραση των πρωτότυπων οδηγιών)

Προβλεπόμενη χρήση

Τα θαμνοκοπτικά BLACK+DECKER™ GTC5455PC, GTC5455PCB έχουν σχεδιαστεί για το κούρεμα φρακτών από θάμνων, θάμνων και βάλτων. Αυτά τα εργαλεία προορίζονται μόνο για καταναλωτική χρήση.

Οδηγίες ασφαλείας

Γενικές προειδοποιήσεις ασφαλείας για ηλεκτρικά εργαλεία



Προειδοποίηση! Διαβάστε όλες τις προειδοποιήσεις ασφαλείας και όλες τις οδηγίες. Η μη τήρηση των παρακάτω προειδοποιήσεων και οδηγιών μπορεί να προκαλέσει ηλεκτροπληξία, πυρκαγιά και/ή σοβαρές σωματικές βλάβες.

Φυλάξτε όλες τις προειδοποιήσεις και τις οδηγίες για μελλοντική αναφορά. Ο όρος "ηλεκτρικό εργαλείο" σε όλες τις προειδοποιήσεις, αναφέρεται σε εργαλείο που τροφοδοτείται με ρεύμα από το ηλεκτρικό δίκτυο (με καλώδιο) ή σε εργαλείο που λειτουργεί με μπαταρία (χωρίς καλώδιο).

1. Ασφάλεια χώρου εργασίας

- Διατηρείτε το χώρο εργασίας καθαρό και καλά φωτισμένο.** Οι ατακτοποιητοί ή σκοτεινοί χώροι γίνονται αιτίες ατυχημάτων.

- Μη χρησιμοποιείτε ηλεκτρικά εργαλεία σε περιβάλλον όπου υπάρχει κίνδυνος έκρηξης, όπως με παρουσία εύφλεκτων υγρών, αερίων ή σκόνης.** Τα ηλεκτρικά εργαλεία παράγουν σπινθήρες που μπορεί να προκαλέσουν ανάφλεξη της σκόνης ή των αναθυμιάσεων.
- Όταν χρησιμοποιείτε ηλεκτρικό εργαλείο, κρατάτε μακριά τα παιδιά και άλλα άτομα.** Παράγοντες που αποσπούν την προσοχή μπορεί να σας κάνουν να χάσετε τον έλεγχο.

2. Ασφαλής χρήση ηλεκτρικού ρεύματος

- Το φως του καλωδίου του ηλεκτρικού εργαλείου πρέπει να ταιριάζει στην αντίστοιχη πρίζα. Σε καμία περίπτωση μην τροποποιήσετε το φως, με κανένα τρόπο. Μη χρησιμοποιείτε φως προσαρμογής με γειωμένα ηλεκτρικά εργαλεία.** Τα φως που δεν έχουν υποστεί τροποποίησης και οι κατάλληλες πρίζες μειώνουν τον κίνδυνο ηλεκτροπληξίας.
- Αποφύγετε την επαφή του σώματός σας με γειωμένες επιφάνειες, όπως σωλήνες, καλοριφέρ, κουζίνες και ψυγεία.** Υπάρχει αυξημένος κίνδυνος ηλεκτροπληξίας αν το σώμα σας είναι γειωμένο.
- Μην εκθέτετε τα ηλεκτρικά εργαλεία σε βροχή ή υγρασία.** Η διείσδυση νερού σε ένα ηλεκτρικό εργαλείο αυξάνει τον κίνδυνο ηλεκτροπληξίας.
- Μην κακομεταχειρίζεστε το καλώδιο. Ποτέ μη χρησιμοποιείτε το καλώδιο για να μεταφέρετε το ηλεκτρικό εργαλείο, να το τραβήξετε ή να το αποσυνδέσετε από την πρίζα.** Κρατάτε το καλώδιο μακριά από θερμότητα, λάδια, αιχμηρά άκρα ή κινούμενα μέρη. Τα καλώδια που έχουν υποστεί ζημιά ή είναι μπερδεμένα αυξάνουν τον κίνδυνο ηλεκτροπληξίας.
- Όταν χρησιμοποιείτε ηλεκτρικό εργαλείο σε εξωτερικούς χώρους, να χρησιμοποιείτε πάντοτε καλώδιο επέκτασης κατάλληλο για χρήση σε εξωτερικούς χώρους.** Η χρήση καλωδίου κατάλληλου για εργασία σε εξωτερικούς χώρους μειώνει τον κίνδυνο ηλεκτροπληξίας.
- Εάν είναι αναπόφευκτη η χρήση ενός ηλεκτρικού εργαλείου σε συνθήκες υγρασίας, χρησιμοποιήστε μια διάταξη προστασίας από ρεύμα διαρροής (RCD).** Η χρήση μιας διάταξης RCD μειώνει τον κίνδυνο ηλεκτροπληξίας.

3. Προσωπική ασφάλεια

- Όταν χρησιμοποιείτε ηλεκτρικό εργαλείο, να είστε σε εγρήγορση, να συγκεντρώνετε στην εργασία που κάνετε και να επιστρατεύετε την κοινή λογική. Μη χρησιμοποιείτε ηλεκτρικό εργαλείο όταν είστε κουρασμένος/η ή υπό την επήρεια ναρκωτικών, οινοπνεύματος ή φαρμακευτικής αγωγής.** Μια στιγμή απροσεξίας κατά τη χρήση ηλεκτρικών εργαλείων μπορεί να προκαλέσει σοβαρό τραυματισμό.

- β. Να χρησιμοποιείτε ατομικό εξοπλισμό προστασίας. Πάντα φοράτε προστασία ματιών.** Ο εξοπλισμός προστασίας, όπως μάσκα κατά της σκόνης, αντιλιοσηθικά παπούτσια ασφαλείας, κράνος ή προστασία ακοής, όταν χρησιμοποιείται για τις κατάλληλες συνθήκες, θα μειώσει τους τραυματισμούς και τις σωματικές βλάβες.
- γ. Αποτρέπετε την ακούσια ενεργοποίηση. Βεβαιωθείτε ότι ο διακόπτης βρίσκεται στη θέση απενεργοποίησης πριν συνδέσετε το εργαλείο στην πηγή ρεύματος και/ή τοποθετήσετε το πακέτο μπαταρίας, καθώς και πριν πάρετε στα χέρια σας ή μεταφέρετε το εργαλείο.** Η μεταφορά ηλεκτρικών εργαλείων με το δάχτυλο πάνω στο διακόπτη ή η σύνδεση στο ρεύμα ηλεκτρικών εργαλείων με το διακόπτη στη θέση ενεργοποίησης, ενέχει κινδύνους ατυχημάτων.
- δ. Πριν θέσετε το ηλεκτρικό εργαλείο σε λειτουργία, αφαιρέστε τυχόν εργαλεία ή κλειδιά ρύθμισης.** Εάν αφήσετε ένα εργαλείο ή κλειδί πάνω σε κάποιο περιστρεφόμενο εξάρτημα του ηλεκτρικού εργαλείου, μπορεί να προκληθούν τραυματισμοί.
- ε. Μην τεντώνετε. Διατηρείτε πάντα σταθερή στήριξη στα πόδια σας και καλή ισορροπία.** Έτσι μπορείτε να έχετε καλύτερο έλεγχο του ηλεκτρικού εργαλείου σε μη αναμενόμενες καταστάσεις.
- στ. Φοράτε κατάλληλη ενδυμασία εργασίας. Μη φοράτε φαρδιά ρούχα ούτε κοσμήματα. Κρατάτε τα μαλλιά, τα ρούχα και τα γάντια σας μακριά από κινούμενα μέρη.** Τα χαλαρά ρούχα, τα κοσμήματα και τα μακριά μαλλιά μπορούν να πιαστούν σε κινούμενα μέρη.
- ζ. Αν παρέχονται διατάξεις για τη σύνδεση συστημάτων απομάκρυνσης και συλλογής της σκόνης, βεβαιωθείτε ότι αυτές είναι συνδεδεμένες και χρησιμοποιούνται κατάλληλα.** Η χρήση διατάξεων συλλογής της σκόνης μπορεί να μειώσει τους κινδύνους που προέρχονται από τη σκόνη.
- 4. Χρήση και φροντίδα ηλεκτρικών εργαλείων**
- α. Μην υπερφορτώνετε το ηλεκτρικό εργαλείο. Χρησιμοποιείτε το σωστό ηλεκτρικό εργαλείο για την εφαρμογή σας.** Το σωστό ηλεκτρικό εργαλείο θα εκτελέσει την εργασία καλύτερα και ασφαλέστερα, με την ένταση χρήσης για την οποία σχεδιάστηκε.
- β. Μη χρησιμοποιήσετε ηλεκτρικό εργαλείο αν ο διακόπτης του δεν μπορεί να το ενεργοποιεί και απενεργοποιεί.** Ένα ηλεκτρικό εργαλείο του οποίου η λειτουργία δεν μπορεί να ελεγχθεί με το διακόπτη είναι επικίνδυνο και πρέπει να επισκευαστεί.
- γ. Αποσυνδέστε το φως από την πηγή ρεύματος και/ή το πακέτο μπαταρίας από το ηλεκτρικό εργαλείο, πριν διεξάγετε οποιαδήποτε ρύθμιση, αλλαγή εξαρτήματος ή όταν πρόκειται να αποθηκεύσετε το ηλεκτρικό εργαλείο.**
- Τέτοια προληπτικά μέτρα ασφαλείας μειώνουν το κίνδυνο αθέλητης εκκίνησης του ηλεκτρικού εργαλείου.
- δ. Να φυλάσσετε μακριά από παιδιά τα ηλεκτρικά εργαλεία που δεν χρησιμοποιείτε. Μην αφήνετε να χρησιμοποιήσουν ηλεκτρικό εργαλείο άτομα που δεν είναι εξοικειωμένα με αυτό ή άτομα που δεν έχουν διαβάσει αυτές τις οδηγίες χρήσης.** Τα ηλεκτρικά εργαλεία είναι επικίνδυνα στα χέρια μη εκπαιδευμένων χρηστών.
- ε. Να συντηρείτε τα ηλεκτρικά εργαλεία. Ελέγχετε για προβλήματα ευθυγράμμισης ή για μάγκωμα των κινούμενων εξαρτημάτων, θραύση εξαρτημάτων, καθώς και για οποιοδήποτε άλλο πρόβλημα μπορεί να επηρεάσει τη λειτουργία των ηλεκτρικών εργαλείων.** Αν το ηλεκτρικό εργαλείο έχει υποστεί ζημιά, φροντίστε να επισκευαστεί πριν το χρησιμοποιήσετε. Η ανεπαρκής συντήρηση των ηλεκτρικών εργαλείων αποτελεί αιτία πολλών ατυχημάτων.
- στ. Διατηρείτε τα κοπτικά εργαλεία κοφτερά και καθαρά.** Τα κοπτικά εργαλεία με κοφτερές κοπτικές αιχμές που συντηρούνται σωστά έχουν λιγότερες πιθανότητες να μαγκώσουν και ελέγχονται ευκολότερα.
- ζ. Να χρησιμοποιείτε το ηλεκτρικό εργαλείο, τα αξεσουάρ και τις μύτες των εργαλείων κλπ. σύμφωνα με τις παρούσες οδηγίες, λαμβάνοντας υπόψη σας τις συνθήκες εργασίας και την εργασία που θέλετε να εκτελέσετε.** Η χρήση του ηλεκτρικού εργαλείου για εργασίες διαφορετικές από τις προβλεπόμενες θα μπορούσε να οδηγήσει σε επικίνδυνη κατάσταση.
- 5. Χρήση και φροντίδα εργαλείων μπαταρίας**
- α. Να επαναφορτίζετε μόνο με το φορτιστή που καθορίζει ο κατασκευαστής.** Ένας φορτιστής που είναι κατάλληλος για ένα τύπο πακέτου μπαταρίας μπορεί να δημιουργήσει κίνδυνο πυρκαγιάς όταν χρησιμοποιείται με άλλο πακέτο μπαταρίας.
- β. Χρησιμοποιείτε τα ηλεκτρικά εργαλεία αποκλειστικά και μόνο με τα ειδικά καθοριζόμενα πακέτα μπαταριών.** Η χρήση άλλων πακέτων μπαταριών μπορεί να προκαλέσει κίνδυνο τραυματισμού και πυρκαγιάς.
- γ. Όταν το πακέτο μπαταρίας δεν χρησιμοποιείται, κρατάτε το μακριά από άλλα μεταλλικά αντικείμενα, όπως συνδετήρες, κέρματα, κλειδιά, καρφιά, βίδες ή άλλα μικρά μεταλλικά αντικείμενα που μπορούν να βραχυκυκλώσουν τους δύο ακροδέκτες του.** Αν βραχυκυκλωθούν οι ακροδέκτες της μπαταρίας, μπορεί να προκληθούν εγκαύματα ή πυρκαγιά.
- δ. Αν οι μπαταρίες υποστούν κακομεταχείριση, μπορεί να διαρρεύσει υγρό. Αποφύγετε την επαφή. Αν κατά λάθος έρθετε σε επαφή, ξεπλύνετε με νερό. Σε περίπτωση που το υγρό έλθει σε επαφή με τα μάτια σας, ζητήστε επιπλέον και ιατρική βοήθεια.**

Το υγρό που εξέρχεται από την μπαταρία μπορεί να προκαλέσει ερεθισμούς ή εγκαύματα.

6. Σέρβις

- α. Το σέρβις του ηλεκτρικού σας εργαλείου πρέπει να αναλαμβάνει έμπειρος τεχνικός που θα χρησιμοποιεί μόνο γνήσια ανταλλακτικά.** Έτσι θα εξασφαλίσετε τη διατήρηση της ασφάλειας του ηλεκτρικού εργαλείου.

Πρόσθετες προειδοποιήσεις ασφαλείας για ηλεκτρικά εργαλεία



Προειδοποίηση! Πρόσθετες προειδοποιήσεις ασφαλείας για θαμνοκοπτικά

- ◆ Κρατάτε όλα τα μέλη του σώματός σας σε απόσταση από τη λεπίδα κοπής. Μην αφαιρείτε το κομμένο υλικό και μην κρατάτε υλικό για κοπή όταν οι λεπίδες βρίσκονται σε κίνηση. Βεβαιωθείτε ότι ο διακόπτης είναι απενεργοποιημένος (off) κατά την αφαίρεση υλικού που έχει παγιδευτεί. Μια στιγμή απροσεξία κατά το χειρισμό του εργαλείου μπορεί να οδηγήσει σε σοβαρούς τραυματισμούς.
- ◆ Μεταφέρετε το θαμνοκοπτικό κρατώντας το από τη λαβή, με τη λεπίδα κοπής σταματημένη. Κατά τη μεταφορά ή αποθήκευση του θαμνοκοπτικού, να τοποθετείτε πάντα το κάλυμμα του μηχανισμού κοπής. Ο σωστός χειρισμός του θαμνοκοπτικού περιορίζει το ενδεχόμενο τραυματισμού από τις λεπίδες κοπής.
- ◆ Κρατάτε το ηλεκτρικό εργαλείο μόνο από μονωμένες επιφάνειες λαβής, επειδή η λεπίδα κοπής μπορεί να έρθει σε επαφή με κρυμμένα καλώδια. Οι λεπίδες κοπής που έρχονται σε επαφή με καλώδια υπό τάση μπορεί να καταστήσουν και τα εκτεθειμένα μεταλλικά μέρη του ηλεκτρικού εργαλείου ηλεκτροφόρα και να προκαλέσουν ηλεκτροπληξία στο χειριστή του.
- ◆ Η προβλεπόμενη χρήση περιγράφεται στο παρόν χειρίδιο οδηγιών. Η χρήση οποιουδήποτε αξεσουάρ ή προσαρτήματος ή η εκτέλεση με αυτό το εργαλείο οποιασδήποτε εργασίας διαφορετικής από αυτές που συστήνονται στο παρόν χειρίδιο οδηγιών, μπορεί να εγκυμονεί κίνδυνο σωματικών βλαβών και/ή υλικών ζημιών.
- ◆ Μη μεταφέρετε το εργαλείο με τα χέρια σας στην μπροστινή λαβή, το διακόπτη ή το διακόπτη-σκανδάλη εάν δεν έχετε αφαιρέσει την μπαταρία.
- ◆ Εάν δεν έχετε χρησιμοποιήσει ξανά θαμνοκοπτικό, καλό θα είναι να ζητήσετε πρακτικές οδηγίες από έναν έμπειρο χρήστη πέρα από τη μελέτη του παρόντος χειριδίου.
- ◆ Μην αγγίζετε ποτέ τις λεπίδες ενώ το εργαλείο βρίσκεται σε λειτουργία.
- ◆ Μην επιχειρήσετε ποτέ να ακινητοποιήσετε τις λεπίδες εξαναγκαστικά.

- ◆ Μην τοποθετείτε κάτω το εργαλείο πριν να ακινητοποιηθούν εντελώς οι λεπίδες.
- ◆ Ελέγχετε τακτικά τις λεπίδες για ζημιές και φθορές. Μη χρησιμοποιείτε το εργαλείο εάν οι λεπίδες έχουν υποστεί ζημιά.
- ◆ Προσέξτε ώστε να αποφεύγετε σκληρά αντικείμενα (π.χ. μεταλλικά σύρματα, κυγκλιδώματα) κατά τις εργασίες κοπής. Εάν χτυπήσετε κατά λάθος ένα τέτοιο αντικείμενο, απενεργοποιήστε αμέσως το εργαλείο και ελέγξτε το για τυχόν ζημιά.
- ◆ Εάν τυχόν το εργαλείο αρχίσει να δονείται με μη φυσιολογικό τρόπο, απενεργοποιήστε το αμέσως, αφαιρέστε την μπαταρία και ελέγξτε το για τυχόν ζημιά.
- ◆ Εάν το εργαλείο σταματήσει απότομα να λειτουργεί, απενεργοποιήστε το. Αφαιρέστε την μπαταρία πριν επιχειρήσετε να αφαιρέσετε οποιουδήποτε εμπόδιο.
- ◆ Μετά από τη χρήση, τοποθετήστε στις λεπίδες την παρεχόμενη θήκη λεπίδων. Αποθηκεύστε το εργαλείο, αφού βεβαιωθείτε ότι η λεπίδα δεν είναι εκτεθειμένη.
- ◆ Πάντοτε να βεβαιώνεστε ότι όλα τα προστατευτικά είναι τοποθετημένα στο εργαλείο όταν το χρησιμοποιείτε. Μην επιχειρήσετε να χρησιμοποιήσετε το εργαλείο εάν λείπουν εξαρτήματα από αυτό ή εάν έχει υποβληθεί σε μη εξουσιοδοτημένες τροποποιήσεις.
- ◆ Μην αφήνετε ποτέ παιδιά να χρησιμοποιήσουν το εργαλείο.
- ◆ Να προσέχετε το ενδεχόμενο πτώσης υπολειμμάτων κοπής κατά την κοπή στις ψηλότερες πλευρές ενός φυτικού φράχτη.
- ◆ Πάντα να κρατάτε το εργαλείο με τα δύο χέρια και από τις παρεχόμενες λαβές.

Ασφάλεια τρίτων

- ◆ Η συσκευή αυτή δεν προορίζεται για χρήση από άτομα (περιλαμβανομένων παιδιών) με μειωμένες σωματικές, αισθητηριακές ή πνευματικές ικανότητες, ή με έλλειψη εμπειρίας και γνώσης, εκτός αν σε αυτά έχει παρασχεθεί από άτομο υπεύθυνο για την ασφάλειά τους επίβλεψη ή εκπαίδευση σχετικά με τη χρήση της συσκευής.
- ◆ Τα παιδιά πρέπει να επιτηρούνται, ώστε να διασφαλίζεται ότι δεν παίζουν με τη συσκευή.

Υπολειπόμενοι κίνδυνοι.

Κατά τη χρήση του εργαλείου μπορεί να δημιουργηθούν πρόσθετοι υπολειπόμενοι κίνδυνοι, οι οποίοι ενδέχεται να μη συμπεριλαμβάνονται στις προειδοποιήσεις ασφαλείας που εσωκλείονται. Αυτοί οι κίνδυνοι μπορεί να προκληθούν από κακή χρήση, παρατεταμένη χρήση κλπ. Παρά την εφαρμογή των σχετικών κανονισμών ασφαλείας και τη χρήση διατάξεων ασφαλείας, ορισμένοι υπολειπόμενοι κίνδυνοι δεν είναι δυνατό να αποφευχθούν. Σ' αυτούς περιλαμβάνονται:

- ♦ Τραυματισμοί από επαφή με περιστρεφόμενα/κινούμενα μέρη.
- ♦ Τραυματισμοί κατά την αλλαγή οποιωνδήποτε εξαρτημάτων, λεπίδων ή αξεσουάρ.
- ♦ Σωματικές βλάβες από παρατεταμένη χρήση του εργαλείου. Όταν χρησιμοποιείτε οποιοδήποτε εργαλείο για παρατεταμένα χρονικά διαστήματα, μην παραλείπετε με κανένα τρόπο να κάνετε τακτικά διαλείμματα.
- ♦ Βλάβη της ακοής.
- ♦ Κίνδυνοι για την υγεία λόγω εισπνοής σκόνης που αναπτύσσεται κατά τη χρήση του εργαλείου σας (παράδειγμα: εργασία με ξύλο, ειδικά βελανιδιά, οξιά και MDF).



Φοράτε ωτασπίδες όταν χρησιμοποιείτε αυτό το εργαλείο.



Μην εκθέτετε το εργαλείο στη βροχή ή σε υψηλή υγρασία.



Εγγυημένη ηχητική ισχύς σύμφωνα με την Οδηγία 2000/14/ΕΚ.

Πρόσθετες οδηγίες ασφαλείας για μπαταρίες και φορτιστές

Μπαταρίες

- ♦ Ποτέ μην επιχειρήσετε να τις ανοίξετε για κανένα λόγο.
- ♦ Μην εκθέτετε την μπαταρία σε νερό.
- ♦ Μην τις αποθηκεύετε σε θέσεις όπου η θερμοκρασία ενδέχεται να υπερβεί τους 40 °C.
- ♦ Να τις φορτίζετε μόνο σε θερμοκρασίες περιβάλλοντος μεταξύ 10 °C και 40 °C.
- ♦ Να τις φορτίζετε μόνο με τη χρήση του φορτιστή που παρέχεται με το εργαλείο.
- ♦ Όταν απορρίπτετε τις μπαταρίες, ακολουθήστε τις οδηγίες στην ενότητα "Προστασία του περιβάλλοντος".



Μην επιχειρήσετε να φορτίσετε μπαταρίες που έχουν υποστεί ζημιά.

Φορτιστές

- ♦ Ο φορτιστής BLACK+DECKER πρέπει να χρησιμοποιείται αποκλειστικά και μόνο για τη φόρτιση της μπαταρίας στο εργαλείο που συνόδευσε. Άλλες μπαταρίες ενδέχεται να σκάσουν, προκαλώντας τραυματισμό ατόμων και ζημιές.
- ♦ Μην επιχειρείτε ποτέ να φορτίσετε μη επαναφορτιζόμενες μπαταρίες.
- ♦ Να φροντίζετε να αντικαθίστανται άμεσα τα καλώδια που έχουν υποστεί ζημιά.
- ♦ Μην εκθέτετε το φορτιστή σε νερό.
- ♦ Μην ανοίγετε το φορτιστή.
- ♦ Μην εισάγετε οποιαδήποτε εξαρτήματα μέσα στο φορτιστή.



Ο φορτιστής προορίζεται για χρήση μόνο σε εσωτερικούς χώρους.



Διαβάστε το εγχειρίδιο οδηγιών πριν τη χρήση.

Κραδασμοί

Η δηλωμένη τιμή εκπομπής κραδασμών που αναφέρεται στα τεχνικά χαρακτηριστικά και τη δήλωση συμμόρφωσης έχει μετρηθεί σύμφωνα με τυποποιημένη μέθοδο δοκιμής που παρέχεται από το πρότυπο EN 60745 και μπορεί να χρησιμοποιηθεί για τη σύγκριση ενός εργαλείου με ένα άλλο. Η δηλωμένη τιμή εκπομπής κραδασμών μπορεί να χρησιμοποιηθεί και σε έναν προκαταρκτικό προσδιορισμό της έκθεσης σε κραδασμούς.

Προειδοποίηση! Στην πράξη, η τιμή εκπομπής κραδασμών κατά την χρήση του ηλεκτρικού εργαλείου μπορεί να διαφέρει από την τιμή που δηλώθηκε, ανάλογα με τον τρόπο που χρησιμοποιείται το εργαλείο. Το επίπεδο κραδασμών μπορεί να αυξηθεί πάνω από το επίπεδο που έχει δηλωθεί.

Κατά τον προσδιορισμό της έκθεσης σε κραδασμούς για τον καθορισμό των απαιτούμενων μέτρων ασφάλειας σύμφωνα με την οδηγία 2002/44/ΕΚ για την προστασία προσώπων που χρησιμοποιούν συχνά ηλεκτρικά εργαλεία στην εργασία τους, μια προσεγγιστική εκτίμηση της έκθεσης σε κραδασμούς πρέπει να λαμβάνει υπόψη τις πραγματικές συνθήκες χρήσης και τον τρόπο χρήσης του εργαλείου, συμπεριλαμβανομένων και όλων των επιμέρους τμημάτων του κύκλου εργασίας, όπως τα χρονικά διαστήματα που το εργαλείο ήταν εκτός λειτουργίας και τα διαστήματα λειτουργίας χωρίς φορτίο, επιπλέον του χρόνου πίεσης της σκανδάλης.

Ετικέτες πάνω στο εργαλείο

Το εργαλείο φέρει τα παρακάτω εικονογράμματα μαζί με τον κωδικό ημερομηνίας:



Προειδοποίηση! Για να μειωθεί ο κίνδυνος τραυματισμού, ο χρήστης πρέπει να διαβάσει το εγχειρίδιο οδηγιών.



Φοράτε γυαλιά ασφαλείας ή ειδικά προστατευτικά γυαλιά όταν χρησιμοποιείτε αυτό το εργαλείο.

ΣΗΜΑΝΤΙΚΟ: Μόνο οι παρακάτω φορτιστές πρέπει να χρησιμοποιούνται για φόρτιση της μπαταρίας 54 V, μοντέλο BL1554 & BL2554:
90589867, 90621477, 90590287-01, 90590289-01, 90602042-01, 90590287-02, 90590289-02, 90599854-02, 90599854-06, 90599853-05, 90634971, 90634972, 90634973, 90642266, 90642264, 90642265, BDC2A

Ασφαλής χρήση ηλεκτρικού ρεύματος



Ο φορτιστής σας φέρει διπλή μόνωση. Επομένως, δεν απαιτείται αγωγός γείωσης. Ελέγχετε πάντα ότι η τάση ρεύματος δικτύου συμφωνεί με αυτήν που αναγράφεται στην πινακίδα τεχνικών χαρακτηριστικών. Ποτέ μην επιχειρήσετε να αντικαταστήσετε τη μονάδα φορτιστή με κανονικό φως ρεύματος δικτύου.

- ◆ Αν το καλώδιο ρεύματος έχει υποστεί ζημιά, πρέπει να αντικατασταθεί από τον κατασκευαστή ή εξουσιοδοτημένο κέντρο σέρβις BLACK+DECKER, για την αποφυγή κινδύνου.

Χαρακτηριστικά

Αυτό το εργαλείο διαθέτει μερικά από ή όλα τα παρακάτω χαρακτηριστικά.

1. Διακόπτη σκανδάλης
2. Διακόπτη ασφάλισης σε απενεργοποιημένη κατάσταση
3. Λαβή
4. Κουμπί POWERCOMMAND
5. Προφυλακτήρας λεπίδας
6. Λαβή λειτουργίας
7. Λεπίδα
8. Λεπίδα πριονιού
9. Πέλαμα λεπίδας πριονιού
10. Πακέτο μπαταρίας Dualvolt (διπλής τάσης) (Μόνο με τη μονάδα GTC5455PC)
11. Πακέτο μπαταρίας Dualvolt (διπλής τάσης) (Μόνο με τη μονάδα GTC5455PC)
12. Φορτιστής (Μόνο με τη μονάδα GTC5455PC)

Συναρμολόγηση

Προειδοποίηση! Πριν τη συναρμολόγηση, αφαιρέστε την μπαταρία από το εργαλείο και στερεώστε τη θήκη των λεπίδων πάνω στις λεπίδες.

Προειδοποίηση! Πριν από τη συναρμολόγηση, βεβαιωθείτε ότι εργαλείο είναι απενεργοποιημένο και αποσυνδεδεμένο από την πρίζα και ότι η θήκη λεπίδων είναι τοποθετημένη στις λεπίδες.

Προειδοποίηση! Μη χρησιμοποιήσετε ποτέ το εργαλείο χωρίς το προστατευτικό.

Διαδικασία φόρτισης

Οι φορτιστές BLACK+DECKER έχουν σχεδιαστεί να φορτίζουν πακέτα μπαταριών BLACK+DECKER.

- ◆ Συνδέστε το φορτιστή (12) σε κατάλληλη πρίζα πριν εισάγετε το πακέτο μπαταρίας.
- ◆ Εισάγετε το πακέτο μπαταρίας στο φορτιστή όπως δείχνει η Εικόνα Α.
- ◆ Η πράσινη λυχνία LED (12a) θα αναβοσβήνει υποδεικνύοντας ότι η μπαταρία φορτίζεται.
- ◆ Η ολοκλήρωση της φόρτισης υποδεικνύεται από τη σταθερά αναμμένη πράσινη λυχνία LED (12a). Το πακέτο μπαταρίας είναι πλήρως φορτισμένο και μπορεί να χρησιμοποιηθεί άμεσα ή να παραμείνει στο φορτιστή.

Σημείωση: Επαναφορτίστε τις αποφορτισμένες μπαταρίες το συντομότερο δυνατόν μετά τη χρήση τους, διαφορετικά μπορεί να μειωθεί πολύ η διάρκεια ζωής τους. Για τη μέγιστη διάρκεια ζωής των μπαταριών, μην τις αποφορτίσετε πλήρως. Συνιστάται να επαναφορτίσετε τις μπαταρίες μετά από κάθε χρήση.

Παραμονή της μπαταρίας στο φορτιστή

Ο φορτιστής (12) και το πακέτο μπαταρίας (11) μπορούν να παραμείνουν σε σύνδεση επ' αόριστον, με τη λυχνία LED αναμμένη. Ο φορτιστής θα διατηρήσει το πακέτο μπαταρίας σε βέλτιστη κατάσταση και πλήρως φορτισμένο.

Σημαντικές επισημάνσεις για τη φόρτιση

- ◆ Η μέγιστη διάρκεια ζωής και η βέλτιστη απόδοση μπορούν να επιτευχθούν αν το πακέτο μπαταρίας φορτίζεται όταν η θερμοκρασία περιβάλλοντος είναι μεταξύ 18 °C και 24 °C (65 °F έως 75 °F). ΜΗ φορτίζετε το πακέτο μπαταρίας σε θερμοκρασία περιβάλλοντος κάτω από +4,5 °C (+40 °F) ή πάνω από +40,5 °C (+105 °F). Αυτό είναι σημαντικό και θα αποτρέψει σοβαρή ζημιά στο πακέτο μπαταρίας.
- ◆ Ο φορτιστής και το πακέτο μπαταρίας μπορεί να θερμανθούν κατά τη φόρτιση. Αυτό είναι κανονικό φαινόμενο και όχι ένδειξη προβλήματος. Για να διευκολύνετε την ψύξη του πακέτου μπαταρίας μετά τη χρήση, αποφεύγετε να τοποθετείτε το φορτιστή ή το πακέτο μπαταρίας σε θερμό περιβάλλον, όπως σε μεταλλικό παράπηγμα ή σε μη μονωμένο τρέιλερ.
- ◆ Αν το πακέτο μπαταρίας δεν φορτίζεται σωστά:
 - ◆ Ελέγξτε το ρεύμα στην πρίζα συνδέοντας ένα φωτιστικό ή άλλη ηλεκτρική συσκευή.
 - ◆ Ελέγξτε μήπως η πρίζα συνδέεται σε διακόπτη φώτων που διακόπτει το ρεύμα όταν σβήνεται τα φώτα.
 - ◆ Μετακινήστε το φορτιστή και το πακέτο μπαταρίας σε θέση όπου η θερμοκρασία αέρα περιβάλλοντος είναι περίπου 18 °C - 24 °C (65 °F - 75 °F).

- ◆ Αν τα προβλήματα φόρτισης επιμένουν, παραδώστε τη συσκευή, το πακέτο μπαταρίας και το φορτιστή στο τοπικό σας κέντρο σέρβις.
- ◆ Το πακέτο μπαταρίας πρέπει να επαναφορτίζεται όταν δεν είναι σε θέση να παράγει επαρκή ισχύ σε εργασίες που γίνοντουσαν εύκολα πιο πριν. ΜΗ ΣΥΝΕΧΙΣΕΤΕ τη χρήση υπό αυτές τις συνθήκες. Ακολουθήστε τη διαδικασία φόρτισης. Μπορείτε επίσης να φορτίσετε όποτε επιθυμείτε ένα πακέτο μπαταρίας που δεν έχει εξαντληθεί πλήρως, χωρίς αυτό να έχει αρνητικές συνέπειες στο πακέτο μπαταρίας.
- ◆ Τα ξένα υλικά με αγώγιμες ιδιότητες, όπως είναι, αλλά χωρίς περιορισμό σε αυτά, το σύρμα τριψίματος, το αλουμινόχαρτο ή οποιαδήποτε συσσώρευση μεταλλικών σωματιδίων, θα πρέπει να διατηρούνται μακριά από τις κοιλότητες του φορτιστή. Πάντα αποσυνδέετε το φορτιστή από την παροχή ρεύματος όταν δεν υπάρχει πακέτο μπαταρίας στην κοιλότητα. Αποσυνδέετε το φορτιστή από την πρίζα πριν επιχειρήσετε να τον καθαρίσετε.
- ◆ Μην παγώνετε ή βυθίζετε το φορτιστή σε νερό ή οποιοδήποτε άλλο υγρό.

Προειδοποίηση! Μην επιτρέψετε να εισέλθει οποιοδήποτε υγρό μέσα στο φορτιστή. Ποτέ μην επιχειρήσετε να ανοίξετε το πακέτο μπαταρίας για οποιοδήποτε λόγο. Αν το πλαστικό περιβλήμα του πακέτου μπαταρίας σπάσει ή ραγίσει, επιστρέψτε το πακέτο σε κέντρο σέρβις για ανακύκλωση.

Ένδειξη κατάστασης φόρτισης (Εικ. Β)

Η μπαταρία είναι εξοπλισμένη με ένδειξη κατάστασης φόρτισης.

Αυτή μπορεί να χρησιμοποιηθεί για να εμφανίσει το τρέχον επίπεδο φόρτισης στην μπαταρία κατά τη χρήση και κατά τη φόρτιση. Δεν δείχνει τη

λειτουργικότητα του εργαλείου και υπόκειται σε μεταβολές βάσει των εξαρτημάτων του προϊόντος, της θερμοκρασίας και της εφαρμογής του τελικού χρήστη.

Έλεγχος της κατάστασης φόρτισης κατά τη χρήση

- ◆ Πιέστε το κουμπί ένδειξης της κατάστασης φόρτισης (B1).
- ◆ Οι τρεις LED (B2) θα ανάψουν, υποδεικνύοντας το ποσοστό φόρτισης της μπαταρίας. Δείτε τον πίνακα στην Εικόνα Β.
- ◆ Αν δεν ανάψει καμία λυχνία LED, φορτίστε την μπαταρία.

Διαγνωστικά μηνύματα φορτιστή (Εικ. Ε)

Ανατρέξτε στις ενδεικτικές λυχνίες στην εικόνα Ε σχετικά με την κατάσταση φόρτισης του πακέτου μπαταρίας.

Προβληματική μπαταρία

Αν δείτε αυτό το μοτίβο αναλαμπών που αντιστοιχεί σε προβληματική μπαταρία, μη συνεχίσετε τη φόρτιση της μπαταρίας. Επιστρέψτε την σε κέντρο σέρβις ή σε θέση συλλογής για ανακύκλωση.

Καθυστέρηση θερμού/ψυχρού πακέτου μπαταρίας
Όταν ο φορτιστής ανιχνεύσει ένα πολύ θερμό ή πολύ ψυχρό πακέτο μπαταρίας, ξεκινά αυτόματα μια Καθυστέρηση θερμού/ψυχρού πακέτου μπαταρίας, και η φόρτιση αναστέλλεται έως ότου το πακέτο μπαταρίας φθάσει σε κατάλληλη θερμοκρασία. Τότε ο φορτιστής μεταβαίνει αυτόματα

σε λειτουργία φόρτισης του πακέτου.

Αυτή η λειτουργία διασφαλίζει τη μέγιστη διάρκεια ζωής του πακέτου μπαταρίας. Ένα κρύο πακέτο μπαταρίας θα φορτίζεται πιο αργά από ένα θερμό πακέτο μπαταρίας. Το πακέτο θα φορτιστεί με αυτή τη μικρότερη ταχύτητα σε όλον τον κύκλο φόρτισης και δεν θα επιστρέψει στη μέγιστη ταχύτητα φόρτισης ακόμα και αν το πακέτο ζεσταθεί.

Τοποθέτηση και αφαίρεση του πακέτου μπαταρίας από το εργαλείο

Προειδοποίηση! Βεβαιωθείτε ότι είναι πατημένο το κουμπί ασφάλισης σε απενεργοποιημένη κατάσταση, για να αποφύγετε ενεργοποίηση του διακόπτη πριν από την αφαίρεση ή την τοποθέτηση της μπαταρίας.

Για να εγκαταστήσετε το πακέτο μπαταρίας (Εικ. C)

- ◆ Εισαγάγετε την μπαταρία (10) μέσα στο εργαλείο έως ότου ακούσετε χαρακτηριστικό ήχο κλικ (Εικόνα. C)
- ◆ Βεβαιωθείτε ότι το πακέτο μπαταρίας έχει εδράσει πλήρως και έχει ασφαλίσει πλήρως στη θέση του.

Για να αφαιρέσετε το πακέτο μπαταρίας (Εικ. D)

- ◆ Πατήστε το κουμπί απελευθέρωσης της μπαταρίας (10a) όπως δείχνει η εικόνα D και τραβήξτε το πακέτο μπαταρίας (10) έξω από τη βάση στήριξης του εργαλείου.

Πακέτο μπαταρίας DUALVOLT 54V (Εικ. F.)

Το πακέτο μπαταρίας Dualvolt 54V μπορεί να χρησιμοποιηθεί σε εργαλεία μπαταρίας 54V και 18V της Black+Decker. Η μπαταρία μπορεί να αναγνωρίσει το εργαλείο στο οποίο έχει εισαχθεί και θα λειτουργήσει στην αντίστοιχη ισχύ, παρέχοντας μεγαλύτερο χρόνο λειτουργίας σε εργαλεία 18V. Υπάρχει ένα κουμπί κατάστασης φόρτισης (11) με το οποίο μπορείτε να δείτε το επίπεδο φόρτισης και στις δύο τάσεις, 54 V και 18 V

Λειτουργία

- ◆ Για να ενεργοποιήσετε τη μονάδα, πιέστε προς τα κάτω το κουμπί ασφάλισης (2), πατήστε τη σκανδάλη (1) και πιέστε τη λαβή λειτουργίας διπλού διακόπτη (6) όπως φαίνεται στην Εικόνα G. Από τη στιγμή που θα αρχίσει να λειτουργεί η μονάδα, μπορείτε να απελευθερώσετε το κουμπί ασφάλισης σε απενεργοποιημένη κατάσταση. Για να διατηρήσετε τη μονάδα σε λειτουργία, πρέπει να συνεχίσετε να πατάτε τη σκανδάλη.

Προειδοποίηση! Μην επιχειρήσετε ποτέ να ασφαλίσετε ένα διακόπτη στην ενεργοποιημένη θέση (ON).

Οδηγίες κοπής

- ◆ Διατηρείτε την κατάλληλη στήριξη με τα πόδια και την ισορροπία σας και μην τεντώνετε υπερβολικά. Φοράτε ειδικά προστατευτικά γυαλιά ασφαλείας και αντιολισθητικά παπούτσια κατά την κοπή. Κρατήστε τη μονάδα σταθερά και με τα δύο χέρια και ενεργοποιήστε την. Πάντα να κρατάτε το κοπτικό όπως φαίνεται στις εικόνες στο εγχειρίδιο αυτό, με ένα χέρι στη λαβή διακοπών και ένα χέρι στη λαβή λειτουργίας (Εικόνα G). Ποτέ μην κρατάτε τη μονάδα από το προστατευτικό της λεπίδας.

Κοπή νέας βλάστησης (Εικ. H)

- ◆ Πιο αποτελεσματική είναι μια ευρεία κίνηση σάρωσης περνώντας τα δόντια της λεπίδας μέσα από τα κλαδάκια. Μια ελαφρά προς τα κάτω κλίση της λεπίδας στην κατεύθυνση της κίνησης δίνει την καλύτερη κοπή.

Προειδοποίηση! Μην κόβετε στελέχη μεγαλύτερα από 19 mm. Χρησιμοποιείτε το κοπτικό μόνο για κοπή κανονικών θάμνων γύρω από σπίτια και κτίρια.

Επίπεδοι φυτικοί φράχτες (Εικ. I)

- ◆ Για να αποκτήσετε εξαιρετικά επίπεδους φυτικούς φράχτες, μπορείτε να τεντώσετε ένα κομμάτι σπάγκο κατά μήκος του φράχτη σαν οδηγό.

Πλευρικό κούρεμα φυτικών φραχτών (Εικ. J)

- ◆ Κρατήστε το κοπτικό όπως δείχνει η εικόνα και αρχίστε από το κάτω μέρος με σάρωση προς τα πάνω.

POWERCOMMAND (Εικ. K)

Αν προκύψει σφηνώμα, πατήστε το κουμπί POWERCOMMAND (4) που φαίνεται στην Εικόνα K. Οι λεπίδες θα κινούνται εμπρός-πίσω με πιο αργό ρυθμό που επιτρέπει μεγαλύτερη δύναμη για κοπή δύσκολων κλαδιών. Ελευθερώστε το κουμπί για επιστροφή στην κανονική χρήση κοπής φυτικών φραχτών.

Σημείωση: Αφού ελευθερώσετε το κουμπί, οι λεπίδες θα επανέλθουν άμεσα σε πλήρη ταχύτητα.

Σημείωση: Οι λεπίδες θα σταματήσουν αν κρατήσετε το κουμπί πατημένο για 15 δευτερόλεπτα. Για να ενεργοποιήσετε πάλι τη λειτουργία POWERCOMMAND, ελευθερώστε το κουμπί και πατήστε το πάλι. ΜΗΝ κρατάτε συνεχώς πατημένο το κουμπί POWERCOMMAND κατά τη διάρκεια της κανονικής κοπής θάμνων.

Λεπίδα πριονιού (Εικ. L)

Για κλαριά που είναι πολύ μεγάλα για την κανονική λεπίδα (7), χρησιμοποιήστε τη λεπίδα πριονιού (8). Τοποθετήστε τη λεπίδα πριονιού όσο το δυνατόν πιο κοντά στο κάτω μέρος

του κλαδιού. Τοποθετήστε το πέλαμα της λεπίδας πριονιού (9) σε επαφή με το κλαδί. Ενεργοποιήστε το θαμνοκοπτικό όπως περιγράφεται παραπάνω, επιτρέποντας στο εργαλείο να λειτουργήσει με τον κανονικό του ρυθμό έως ότου κοπεί πλήρως το κλαδί.

Συντήρηση

Αυτή η συσκευή/το εργαλείο ρεύματος/μπαταρίας της BLACK+DECKER έχει σχεδιαστεί έτσι ώστε να λειτουργεί για μεγάλο χρονικό διάστημα με την ελάχιστη δυνατή συντήρηση. Η συνεχής ικανοποιητική λειτουργία εξαρτάται από τη σωστή φροντίδα και τον τακτικό καθαρισμό του εργαλείου.

Προειδοποίηση! Πριν πραγματοποιήσετε οποιαδήποτε συντήρηση σε ηλεκτρικά εργαλεία ρεύματος/μπαταρίας:

- ◆ Απενεργοποιήστε και αποσυνδέστε τη συσκευή/το εργαλείο από την πρίζα.
- ◆ Ή απενεργοποιήστε και αφαιρέστε την μπαταρία από τη συσκευή/το εργαλείο αν η συσκευή/το εργαλείο διαθέτει αφαιρούμενο πακέτο μπαταρίας.
- ◆ Ή χρησιμοποιήστε τη συσκευή μέχρι να εξαντληθεί πλήρως η μπαταρία, αν είναι ενσωματωμένη, και στη συνέχεια απενεργοποιήστε τη συσκευή.
- ◆ Πριν τον καθαρισμό του φορτιστή αποσυνδέστε τον από την πρίζα. Ο φορτιστής σας δεν χρειάζεται οποιαδήποτε συντήρηση πέραν του τακτικού καθαρισμού.
- ◆ Να καθαρίζετε τακτικά τις εγκοπές εξαιρισμού της συσκευής/του εργαλείου/του φορτιστή χρησιμοποιώντας μια μαλακή βούρτσα ή ένα στεγνό πανί.
- ◆ Να καθαρίζετε τακτικά το περίβλημα του μοτέρ με ένα ελαφρά υγρό πανί. Μη χρησιμοποιείτε καθαριστικά που χαράζουν ή περιέχουν διαλύτες.
- ◆ Μετά τη χρήση, καθαρίζετε προσεκτικά τις λεπίδες. Μετά τον καθαρισμό, περάστε τις λεπίδες με ένα λεπτό στρώμα λαδιού μηχανής για την προστασία τους από τη σκουριά.

Οι λεπίδες κοπής είναι κατασκευασμένες από υψηλής ποιότητας, σκληρυμένο χάλυβα και με κανονική χρήση δεν θα χρειαστούν νέο τρόχισμα. Ωστόσο, αν χτυπήσετε κατά λάθος ένα φράκτη από συρματοπλέγμα, πέτρες, γυαλί ή άλλα σκληρά αντικείμενα, μπορεί να δημιουργηθεί μια εγκοπή στη λεπίδα.

Δεν χρειάζεται να αφαιρέσετε αυτή την εγκοπή εφόσον δεν επηρεάζει την κίνηση της λεπίδας. Αν όμως την επηρεάζει, αφαιρέστε την μπαταρία και χρησιμοποιήστε μια λίμα με ψιλά δόντια ή μια πέτρα τροχίσματος για να αφαιρέσετε την εγκοπή.

Αν σας πέσει το κοπτικό, επιθεωρήστε το προσεκτικά για ζημιές. Αν έχει λυγίσει η λεπίδα, ραγίσει το περίβλημα ή σπάσουν οι λαβές ή αν δείτε οποιοδήποτε άλλο πρόβλημα που μπορεί να επηρεάσει τη λειτουργία του κοπτικού, επικοινωνήστε με το τοπικό σας Κέντρο σέρβις BLACK+DECKER για επισκευές πριν το θέσετε πάλι σε χρήση.

Λιπάσματα και άλλα χημικά κήπου περιέχουν παράγοντες που επιταχύνουν σε μεγάλο βαθμό τη διάβρωση των μετάλλων. Μην αποθηκεύετε τη μονάδα πάνω ή κοντά σε λιπάσματα ή χημικά. Για τον καθαρισμό της μονάδας, αφού αφαιρέσετε την μπαταρία, χρησιμοποιήστε αποκλειστικά ήπιο σαπούνι και ένα ελαφρά υγρό πανί. Μην επιτρέψετε ποτέ να εισέλθει υγρό στο εσωτερικό της μονάδας και μη βυθίσετε ποτέ οποιοδήποτε μέρος της μονάδας σε υγρό. Εμποδίστε την οξείδωση των λεπίδων απλώνοντας μια στρώση λεπτού λαδιού μηχανής μετά τον καθαρισμό.

Αντικατάσταση του φις ρευματοληψίας (Μ. Βρετ. & Ιρλανδία μόνο)

Αν χρειάζεται να τοποθετηθεί νέο φις ρευματοληψίας:

- ◆ Απορρίψτε με ασφαλή τρόπο το παλιό φις.
- ◆ Συνδέστε τον καφέ αγωγό στον ηλεκτροφόρο ακροδέκτη (φάση) του νέου φις.
- ◆ Συνδέστε τον μπλε αγωγό στον ουδέτερο ακροδέκτη.

Προειδοποίηση! =Δεν πρέπει να γίνει καμία σύνδεση στον ακροδέκτη γείωσης. Ακολουθήστε τις οδηγίες συναρμολόγησης που συνοδεύουν τα καλής ποιότητας φις. Συνιστώμενη ασφάλεια: 5 A.

ΑΝΤΙΜΕΤΩΠΙΣΗ ΠΡΟΒΛΗΜΑΤΩΝ		
ΠΡΟΒΛΗΜΑ	ΠΙΘΑΝΗ ΑΙΤΙΑ	ΠΙΘΑΝΗ ΛΥΣΗ
Αργή λειτουργία, παλιός θόρυβος ή καυτές λεπίδες.	Ξηρές, διαβρωμένες λεπίδες.	Λιπάνετε τις λεπίδες.
	Λυγισμένη λεπίδα ή στήριγμα λεπίδας.	Ισιώστε τη λεπίδα ή το στήριγμα λεπίδας.
	Λύγισμα ή άλλη ζημιά σε δόντια.	Ισιώστε τα δόντια.
Η μονάδα δεν τίθεται σε λειτουργία.	Λασκαρισμένα μπουλόνια λεπίδας.	Σφίξτε τα μπουλόνια της λεπίδας.
	Η μπαταρία δεν έχει εγκατασταθεί σωστά.	Ελέγξτε την εγκατάσταση της μπαταρίας.
	Η μπαταρία δεν είναι φορτισμένη.	Ελέγξτε τις απαιτήσεις φόρτισης της μπαταρίας.
Η μπαταρία δεν φορτίζει	Η ασφάλιση σε απενεργοποιημένη κατάσταση δεν λειτουργεί πλήρως.	Ελέγξτε αν η ασφάλιση σε απενεργοποιημένη κατάσταση έχει πατηθεί πλήρως πριν κινηθεί η κύρια σκανδάλη.
	Η μπαταρία δεν έχει εισαχθεί στο φορτιστή.	Εισάγετε μπαταρία στο φορτιστή έως ότου αναφεί η πράσινη LED. Φορτίστε έως και 8 ώρες αν η μπαταρία έχει εξαντληθεί τελείως.
	Ο φορτιστής δεν έχει συνδεθεί.	Συνδέστε το φορτιστή σε πρίζα που λειτουργεί. Ανατρέξτε στις "Σημαντικές παρατηρήσεις για τη φόρτιση", για περισσότερες λεπτομέρειες. Ελέγξτε το ρεύμα συνδέοντας μία λάμπα ή άλλη ηλεκτρική συσκευή. Ελέγξτε μήπως η πρίζα συνδέεται σε διακόπτη φωτών που διακόπτει το ρεύμα όταν σβήνετε το φως.
	Η θερμοκρασία αέρα περιβάλλοντος είναι πολύ θερμή ή πολύ ψυχρή.	Μετακινήστε το φορτιστή και την μπαταρία σε θέση με θερμοκρασία αέρα περιβάλλοντος πάνω από 4,5 °C (40 °F) ή κάτω από 40,5 °C (105 °F).

Προστασία του περιβάλλοντος



Χωριστή συλλογή. Τα προϊόντα και οι μπαταρίες που επισημαίνονται με αυτό το σύμβολο δεν πρέπει να απορρίπτονται μαζί με τα κανονικά οικιακά απορρίμματα.

Τα προϊόντα και οι μπαταρίες περιέχουν υλικά που μπορούν να ανακτηθούν ή να ανακυκλωθούν ώστε να μειωθούν οι ανάγκες για πρώτες ύλες. Παρακαλούμε να ανακυκλώνετε τα ηλεκτρικά προϊόντα και τις μπαταρίες σύμφωνα με τους τοπικούς κανονισμούς.

Τεχνικά χαρακτηριστικά

		GTC5455PC	GTC5455PCB
Τάση	V_{DC}	54	54
Διαδρομές των λεπίδων (χωρίς φορτία)	min^{-1}	2600	2600
Μήκος λεπίδας	cm	60	60
Διάκενο μεταξύ των λεπίδων	mm	19	19
Βάρος	kg	3,83	2,775
Μπαταρία		BL2554	Μόνο η μονάδα (χωρίς μπαταρία)
Τάση	V_{DC}	54	
Χωρητικότητα	Ah	1,5	
Τύπος		Ιόντων λιθίου	
Φορτιστής		BDC2A	Μόνο η μονάδα (χωρίς φορτιστή)
Τάση εισόδου	V_{AC}	220 - 230	
Τάση εξόδου	V_{DC}	2000mA	
Ρεύμα	mA	2000	
Χρόνος φόρτισης κατά προσέγγιση	ώρες	2,75	

Στάθμη ηχητικής πίεσης κατά EN 60745:

Ηχητική πίεση: (L_{PA}) 78 dB(A), αβεβαιότητα (K) 3 dB(A)

Ηχητική ισχύς: GTC18504PC (L_{WA}) 92,5 dB(A), αβεβαιότητα (K) 2,5 dB(A)

Συνολικές τιμές κραδασμών (διανυσματικό άθροισμα τριών αξόνων) κατά EN 60745:

Τιμή εκπομπών κραδασμών: GTC18504PC (a_w) 2,7 m/s^2 , αβεβαιότητα (K) 1,5 m/s^2

Δήλωση συμμόρφωσης ΕΚ
ΟΔΗΓΙΑ ΠΕΡΙ ΜΗΧΑΝΗΜΑΤΩΝ
ΟΔΗΓΙΑ ΓΙΑ ΘΟΡΥΒΟΥΣ ΣΕ ΕΞΩΤΕΡΙΚΟΥΣ ΧΩΡΟΥΣ



GTC5455PC, GTC5455PCB Θαμνοκοπτικό

Η Black & Decker δηλώνει ότι τα προϊόντα αυτά που περιγράφονται στα «τεχνικά χαρακτηριστικά» συμμορφώνονται με τα ακόλουθα:

2006/42/EK, EN 60745-1:2009 + A11:2010, EN 60745-2-15:2009 +A1:2010

2000/14/EK, Θαμνοκοπτικό 1300 min⁻¹, Παράρτημα V

Μετρούμενη ηχητική ισχύς (L_{WA}) 92,5 dB(A)

Αβεβαιότητα (K) 2,5 dB(A)

Εγγυημένη ηχητική ισχύς (L_{WA}) 92,5 dB(A)

Αυτά τα προϊόντα συμμορφώνονται επίσης με την οδηγία 2004/108/EK και 2011/65/EE. Για περισσότερες πληροφορίες, επικοινωνήστε με την Black & Decker στην παρακάτω διεύθυνση ή ανατρέξτε στο πίσω μέρος του εγχειριδίου.

Ο κάτωθι υπογεγραμμένος είναι υπεύθυνος για την κατάρτιση του τεχνικού φακέλου και δηλώνει τα παρόντα εκ μέρους της Black & Decker.



Ray Laverick

Διευθυντής Σχεδιασμού

Black & Decker Europe, 210 Bath Road, Slough,

Berkshire, SL1 3YD

United Kingdom

23/9/2016

Εγγύηση

Η Black & Decker είναι σίγουρη για την ποιότητα των προϊόντων της και προσφέρει στους καταναλωτές εγγύηση 24 μηνών από την ημερομηνία αγοράς. Αυτή η εγγύηση συμπληρώνει και με κανένα τρόπο δεν παραβιάζει τα νόμιμα δικαιώματά σας. Η εγγύηση ισχύει εντός της επικράτειας των χωρών μελών της Ευρωπαϊκής Ένωσης και της Ευρωπαϊκής Ζώνης Ελεύθερων Συναλλαγών.

Για να υποβάλετε αξίωση βάσει της εγγύησης, η αξίωση θα πρέπει να είναι σύμφωνη με τους Όρους και προϋποθέσεις της Black&Decker και θα χρειαστεί να υποβάλετε απόδειξη αγοράς στον πωλητή ή σε εξουσιοδοτημένο αντιπρόσωπο σέρβις. Μπορείτε να αποκτήσετε τους Όρους και προϋποθέσεις της εγγύησης 2 ετών της Black&Decker και να μάθετε την τοποθεσία του πλησιέστερου εξουσιοδοτημένου αντιπροσώπου επισκευών στο Internet στο www.2helpU.com, ή επικοινωνώντας με το τοπικό σας γραφείο Black & Decker στη διεύθυνση που υποδεικνύεται στο παρόν εγχειρίδιο.

Παρακαλούμε επισκεφθείτε την ιστοσελίδα μας www.blackanddecker.gr για να καταχωρίσετε το νέο σας προϊόν Black & Decker και για να ενημερώνεστε για τα νέα προϊόντα και τις ειδικές προσφορές.

België/Belgique/Luxembourg www.blackanddecker.be enduser.be@sbdinc.com	Stanley Black & Decker Belgium BVBA Egide Walschaertsstraat 16 2800 Mechelen	Tel. NL +32 15 47 37 65 Tel. FR +32 15 47 37 66 Fax. +32 15 47 37 99
Danmark	Black & Decker Roskildevej 22 2620 Albertslund	kundeservice.dk@sbdinc.com www.blackanddecker.dk
Deutschland www.blackanddecker.de infobfge@sdbinc.com	Stanley Black & Decker Deutschland GmbH Black & Decker Str. 40, D - 65510 Idstein	Tel. 06126 21-0 Fax 06126 21-2980
Ελλάδα www.blackanddecker.gr greece.service@sbdinc.com	Stanley Black & Decker (ΕΛΛΑΣ) Ε.Π.Ε ΓΡΑΦΕΙΑ: Σπύρου 7 & Βουλιαγμένης 166 74 Γλυφάδα - Αθήνα	Τηλ. 210-8981616 Φαξ 210-8983570
SERVICE:	Ημερος Τόπος 2 -Χάνι Αδάμ 193 00 Ασπρόπυργος - Αθήνα	Τηλ. Service 210-8985208 Φαξ 210-5597598
España www.blackanddecker.es respuesta.posventa@sbdinc.com	Stanley Black & Decker Ibérica, S.C.A. Parc de Negocis "Mas Blau" Edificio Muntadas, c/Bergadà, 1, Of. A6 08820 El Prat de Llobregat (Barcelona)	Tel. 934 797 400 Fax 934 797 419
France www.blackanddecker.fr	Black & Decker (France) S.A.S. 5 allée des Hêtres B.P. 30084 69579 Limonest Cédex	Tel. 04 72 20 39 20 Fax 04 72 20 39 00
Helvetia www.blackanddecker.ch service@rofoag.ch	ROFO AG Gewerbezone Seeblick 3213 Kleinbödingen	Tel. 026-6749393 Fax 026-6749394
Italia www.blackanddecker.it service.italia@sbdinc.com	Stanley Black & Decker Italia Via Energypark 6 20871 Vimercate (MB)	Tel. 039-9590200 Fax 039-9590313 Numero verde 800-213935
Nederland www.blackanddecker.nl enduser.nl@sbdinc.com	Stanley Black & Decker Netherlands BV Holtum Noordweg 35, 6121 RE BORN Postbus 83, 6120 AB BORN	Tel. +31 164 283 065 Fax +31 164 283 200
Norge	Black & Decker Postboks 4613, Nydalen 0405 Oslo	kundeservice.no@sbdinc.com www.blackanddecker.no
Österreich www.blackanddecker.at service.austria@sbdinc.com	Stanley Black & Decker Austria GmbH Oberlaaerstraße 248, A-1230 Wien	Tel. 01 66116-0 Fax 01 66116-614
Portugal www.blackanddecker.pt resposta.posvenda@sbdinc.com	Black & Decker Limited SARL Quinta da Fonte - Edifício Q55 D. Diniz Rua dos Malhães, 2 e 2A - Piso 2 Esquerdo 2770 - 071 Paço de Arcos	Tel. 214667500 Fax 214667580
Suomi	Black & Decker PL47 00521, Helsinki	asiakaspalvelu.fi@sbdinc.com www.blackanddecker.fi
Sverige	Black & Decker AB Box 94, 431 22 Mölndal	kundservice.se@sbdinc.com www.blackanddecker.se
Türkiye www.blackanddecker.com.tr	KALE Hırdavat ve Makina A.Ş. Defferdar Mah. Savaklar Cad. No:15 Edimekapı / Eyüp / İstanbul 34050	Tel. 0212 533 52 55 Fax. 0212 533 10 05
United Kingdom & Republic Of Ireland www.blackanddecker.co.uk emeaservice@sbdinc.com	Black & Decker 210 Bath Road Slough, Berkshire SL1 3YD	Tel. 01753 511234 Fax 01753 512365
Middle East & Africa www.blackanddecker.ae service.mea@sbdinc.com	Black & Decker P.O.Box - 17164 Jebel Ali Free Zone (South), Dubai, UAE	Tel. +971 4 8863030 Fax +971 4 8863333