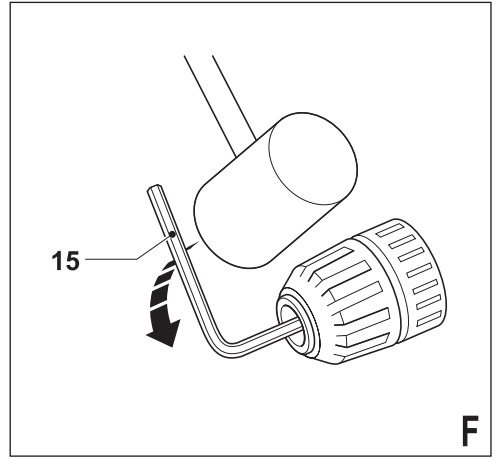
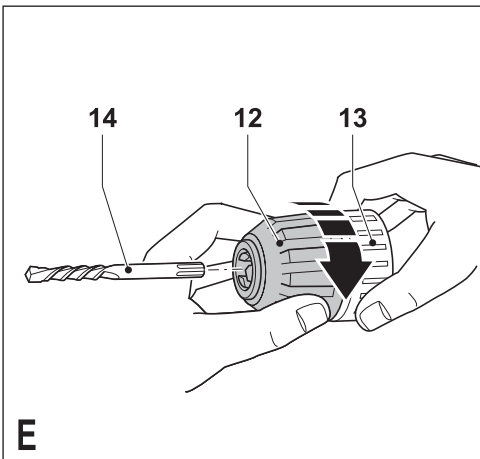
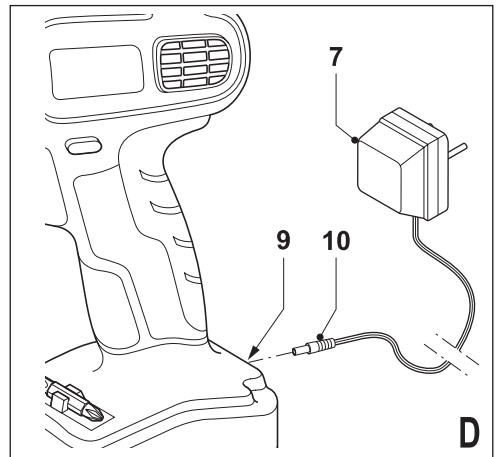
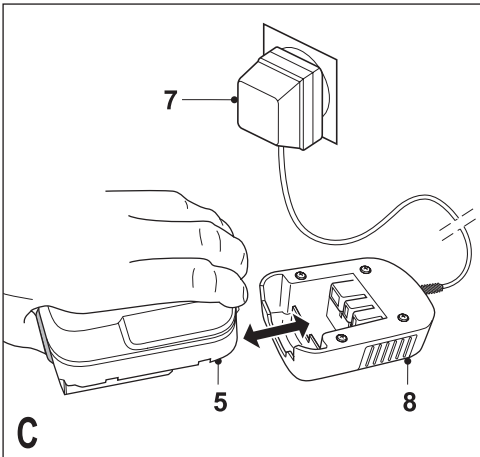
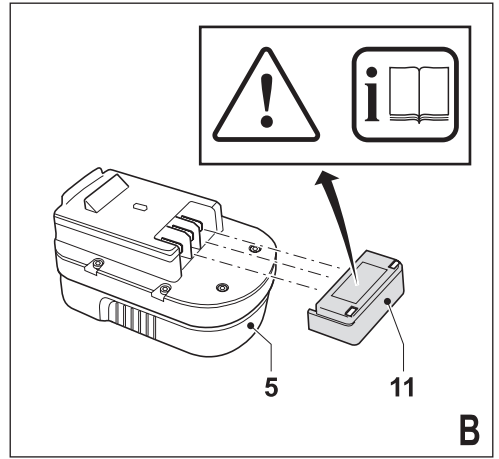
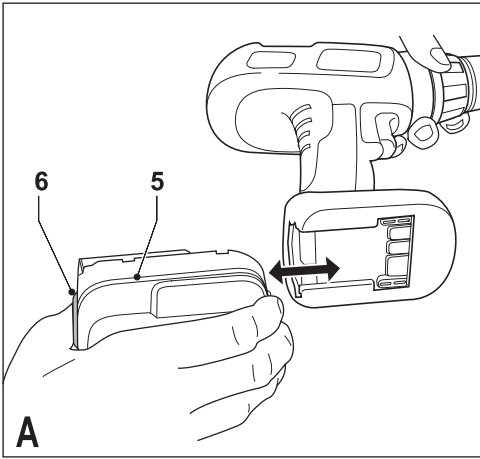
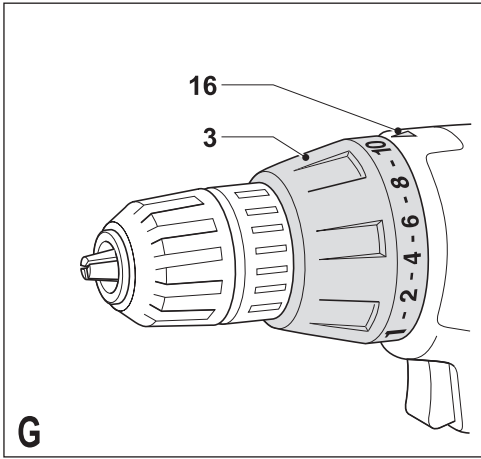


EPC12
EPC14
EPC18
EPC96

English	(Original instructions)	5
Deutsch	(Übersetzung der Originalanleitung)	12
Français	(Traduction des instructions d'origine)	20
Česky	(Přeloženo z původního návodu)	27
Magyar	(Fordítás az eredeti kezelési utasítás alapján készült)	34
Polski	(Tłumaczenie oryginalnej instrukcji)	43
Slovenčina	(Preložené z pôvodného návodu)	51
Русский язык	(Перевод с оригинала инструкции)	58
Українська	(Переклад оригінальних інструкцій)	67
Türkçe	(Çevirisi orijinal talimatlardan yapılmıştır)	76





Intended use

Your Black & Decker drill/screwdriver has been designed for screwdriving applications and for drilling in wood, metal and plastics. This tool is intended for consumer use only.

Safety instructions

General power tool safety warnings



Warning! Read all safety warnings and all instructions. Failure to follow the warnings and instructions listed below may result in electric shock, fire and/or serious injury.

Save all warnings and instructions for future reference. The term “power tool” in all of the warnings listed below refers to your mains operated (corded) power tool or battery operated (cordless) power tool.

1. **Work area safety**
 - a. **Keep work area clean and well lit.** Cluttered or dark areas invite accidents.
 - b. **Do not operate power tools in explosive atmospheres, such as in the presence of flammable liquids, gases or dust.** Power tools create sparks which may ignite the dust or fumes.
 - c. **Keep children and bystanders away while operating a power tool.** Distractions can cause you to lose control.
2. **Electrical safety**
 - a. **Power tool plugs must match the outlet. Never modify the plug in any way. Do not use any adapter plugs with earthed (grounded) power tools.** Unmodified plugs and matching outlets will reduce risk of electric shock.
 - b. **Avoid body contact with earthed or grounded surfaces such as pipes, radiators, ranges and refrigerators.** There is an increased risk of electric shock if your body is earthed or grounded.
 - c. **Do not expose power tools to rain or wet conditions.** Water entering a power tool will increase the risk of electric shock.
 - d. **Do not abuse the cord. Never use the cord for carrying, pulling or unplugging the power tool. Keep cord away from heat, oil, sharp edges or moving parts.** Damaged or entangled cords increase the risk of electric shock.
 - e. **When operating a power tool outdoors, use an extension cord suitable for outdoor use.** Use of a cord suitable for outdoor use reduces the risk of electric shock.
 - f. **If operating a power tool in a damp location is unavoidable, use a residual current device (RCD) protected supply.** Use of an RCD reduces the risk of electric shock.
3. **Personal safety**
 - a. **Stay alert, watch what you are doing and use common sense when operating a power tool. Do not use a power tool while you are tired or under the influence of drugs, alcohol or medication.** A moment of inattention while operating power tools may result in serious personal injury.
 - b. **Use personal protective equipment. Always wear eye protection.** Protective equipment such as dust mask, non-skid safety shoes, hard hat, or hearing protection used for appropriate conditions will reduce personal injuries.
 - c. **Prevent unintentional starting. Ensure the switch is in the off-position before connecting to power source and/or battery pack, picking up or carrying the tool.** Carrying power tools with your finger on the switch or energising power tools that have the switch on invites accidents.
 - d. **Remove any adjusting key or wrench before turning the power tool on.** A wrench or a key left attached to a rotating part of the power tool may result in personal injury.
 - e. **Do not overreach. Keep proper footing and balance at all times.** This enables better control of the power tool in unexpected situations.
 - f. **Dress properly. Do not wear loose clothing or jewellery. Keep your hair, clothing and gloves away from moving parts.** Loose clothes, jewellery or long hair can be caught in moving parts.
 - g. **If devices are provided for the connection of dust extraction and collection facilities, ensure these are connected and properly used.** Use of dust collection can reduce dust-related hazards.
4. **Power tool use and care**
 - a. **Do not force the power tool. Use the correct power tool for your application.** The correct power tool will do the job better and safer at the rate for which it was designed.
 - b. **Do not use the power tool if the switch does not turn it on and off.** Any power tool that cannot be controlled with the switch is dangerous and must be repaired.
 - c. **Disconnect the plug from the power source and/or the battery pack from the power tool before making any adjustments, changing accessories, or storing power tools.** Such

preventive safety measures reduce the risk of starting the power tool accidentally.

- d. **Store idle power tools out of the reach of children and do not allow persons unfamiliar with the power tool or these instructions to operate the power tool.** Power tools are dangerous in the hands of untrained users.
 - e. **Maintain power tools. Check for misalignment or binding of moving parts, breakage of parts and any other condition that may affect the power tools operation. If damaged, have the power tool repaired before use.** Many accidents are caused by poorly maintained power tools.
 - f. **Keep cutting tools sharp and clean.** Properly maintained cutting tools with sharp cutting edges are less likely to bind and are easier to control.
 - g. **Use the power tool, accessories and tool bits etc., in accordance with these instructions, taking into account the working conditions and the work to be performed.** Use of the power tool for operations different from those intended could result in a hazardous situation.
- 5. Battery tool use and care**
- a. **Recharge only with the charger specified by the manufacturer.** A charger that is suitable for one type of battery pack may create a risk of fire when used with another battery pack.
 - b. **Use power tools only with specifically designated battery packs.** Use of any other battery packs may create a risk of injury and fire.
 - c. **When battery pack is not in use, keep it away from other metal objects, like paper clips, coins, keys, nails, screws, or other small metal objects, that can make a connection from one terminal to another.** Shorting the battery terminals together may cause burns or a fire.
 - d. **Under abusive conditions, liquid may be ejected from the battery; avoid contact. If contact accidentally occurs, flush with water. If liquid contacts eyes, additionally seek medical help.** Liquid ejected from the battery may cause irritation or burns.
- 6. Service**
- a. **Have your power tool serviced by a qualified repair person using only identical replacement parts.** This will ensure that the safety of the power tool is maintained.

Additional power tool safety warnings



Warning! Additional safety warnings for drills and impact drills


- ◆ **Wear ear protectors with impact drills.** Exposure to noise can cause hearing loss.
- ◆ **Use auxiliary handles supplied with the tool.** Loss of control can cause personal injury.
- ◆ **Hold power tool by insulated gripping surfaces when performing an operation where the cutting accessory may contact hidden wiring.** Cutting accessory contacting a „live“ wire may make exposed metal parts of the power tool „live“ and could give the operator an electric shock
- ◆ **Hold power tool by insulated gripping surfaces when performing an operation where the fastener may contact hidden wiring.** Fasteners contacting a „live“ wire may make exposed metal parts of the power tool „live“ and could give the operator an electric shock.
- ◆ **Use clamps or another practical way to secure and support the workpiece to a stable platform.** Holding the work by hand or against your body leaves it unstable and may lead to loss of control.
- ◆ Before drilling into walls, floors or ceilings, check for the location of wiring and pipes.
- ◆ Avoid touching the tip of a drill bit just after drilling, as it may be hot.
- ◆ This tool is not intended for use by persons (including children) with reduced physical, sensory or mental capabilities, or lack of experience and knowledge, unless they have been given supervision or instruction concerning use of the appliance by a person responsible for their safety. Children should be supervised to ensure that they do not play with the appliance.
- ◆ The intended use is described in this instruction manual. The use of any accessory or attachment or performance of any operation with this tool other than those recommended in this instruction manual may present a risk of personal injury and/or damage to property.

Additional safety instructions for batteries and chargers

Batteries


- ◆ Never attempt to open for any reason.
- ◆ Do not expose the battery to water.
- ◆ Do not store in locations where the temperature may exceed 40 °C.


- ◆ Charge only at ambient temperatures between 10 °C and 40 °C.
- ◆ Charge only using the charger provided with the tool.
- ◆ When disposing of batteries, follow the instructions given in the section "Protecting the environment".

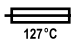

 Do not attempt to charge damaged batteries.

Chargers

- ◆ Use your Black & Decker charger only to charge the battery in the tool with which it was supplied. Other batteries could burst, causing personal injury and damage.
- ◆ Never attempt to charge non-rechargeable batteries.
- ◆ Have defective cords replaced immediately.
- ◆ Do not expose the charger to water.
- ◆ Do not open the charger.
- ◆ Do not probe the charger.

 The charger is intended for indoor use only.

 Read the instruction manual before use.

 **127°C**
 The charger automatically shuts off if the ambient temperature becomes too high. The thermal cut out operates only once and then requires complete replacement.

Vibration

The declared vibration emission values stated in the technical data and the declaration of conformity have been measured in accordance with a standard test method provided by EN 60745 and may be used for comparing one tool with another. The declared vibration emission value may also be used in a preliminary assessment of exposure.


Warning! The vibration emission value during actual use of the power tool can differ from the declared value depending on the ways in which the tool is used. The vibration level may increase above the level stated.

When assessing vibration exposure to determine safety measures required by 2002/44/EC to protect persons regularly using power tools in employment, an estimation of vibration exposure should consider, the actual conditions of use and the way the tool is used, including taking account of all parts of the

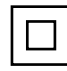
operating cycle such as the times when the tool is switched off and when it is running idle in addition to the trigger time.

Labels on tool

The following pictograms are shown on the tool:

 **Warning!** To reduce the risk of injury, the user must read the instruction manual.

Electrical safety

 Your charger is double insulated; therefore no earth wire is required. Always check that the mains voltage corresponds to the voltage on the rating plate. Never attempt to replace the charger unit with a regular mains plug.

- ◆ If the supply cord is damaged, it must be replaced by the manufacturer or an authorised Black & Decker Service Centre in order to avoid a hazard.

Features

This tool includes some or all of the following features.

1. Variable speed switch or two-speed on/off switch
2. Forward/reverse slider
3. Mode selector / torque adjustment collar
4. Chuck
5. Battery
6. Battery release button

fig. C & D

7. Charger
8. Charger receptacle
9. Charger connector
10. Charger plug

Assembly

Warning! Before assembly, remove the battery from the tool.

Fitting and removing the battery (fig. A)

- ◆ To fit the battery (5), line it up with the receptacle on the tool. Slide the battery into the receptacle and push until the battery snaps into place.
- ◆ To remove the battery, push the release button (6) while at the same time pulling the battery out of the receptacle.

Fitting the battery cap (fig. B)

Warning! Fit the cap (11) to the battery (5) for transportation and storage.

Fitting and removing a drill bit or screw-driver bit (fig. E)

Warning! First remove the battery from the tool.

This tool is fitted with a keyless chuck to allow for an easy exchange of bits.

- ◆ Lock the tool by setting the forward/reverse slider (2) to the centre position.
- ◆ Open the chuck by turning the front part (12) with one hand while holding the rear part (13) with the other.
- ◆ Insert the bit shank (14) into the chuck.
- ◆ Firmly tighten the chuck by turning the front part (12) with one hand while holding the rear part (13) with the other.

Removing and refitting the chuck (fig. F)

- ◆ Open the chuck as far as possible.
- ◆ Remove the chuck retaining screw by turning it clockwise using a screwdriver.
- ◆ Tighten an Allen key (15) into the chuck and strike it with a hammer as shown.
- ◆ Remove the Allen key.
- ◆ Remove the chuck by turning it counterclockwise.
- ◆ To refit the chuck, screw it onto the spindle and secure it with the chuck retaining screw.

Residual risks.

Additional residual risks may arise when using the tool which may not be included in the enclosed safety warnings. These risks can arise from misuse, prolonged use etc.

Even with the application of the relevant safety regulations and the implementation of safety devices, certain residual risks can not be avoided. These include:

- ◆ **Injuries caused by touching any rotating/moving parts.**
- ◆ **Injuries caused when changing any parts, blades or accessories.**
- ◆ **Injuries caused by prolonged use of a tool. When using any tool for prolonged periods ensure you take regular breaks.**
- ◆ **Impairment of hearing.**
- ◆ **Health hazards caused by breathing dust developed when using your tool (example:- working with wood, especially oak, beech and MDF.)**

Use

Warning! Let the tool work at its own pace. Do not overload.

Charging the battery

The battery needs to be charged before first use and whenever it fails to produce sufficient power on jobs that were easily done before. When charging the battery for the first time, or after prolonged storage, it will only accept an 80% charge. After several charge and discharge cycles, the battery will attain full capacity. The battery may become warm while charging; this is normal and does not indicate a problem.

Warning! Do not charge the battery at ambient temperatures below 10 °C or above 40 °C. Recommended charging temperature: approx. 24 °C.

Charger with charger receptacle (fig. C)

- ◆ To charge the battery (5), remove it from the tool and slide the charger receptacle (8) onto the battery.
- ◆ Plug in the charger (7).

After normal use, a charging time of 3 hours will provide sufficient power for most applications. However, further charging for up to 6 hours could significantly increase the use time, depending on the battery and charging conditions.

- ◆ Remove the battery from the charger.

Charger with charger plug (fig. D)

- ◆ To charge the battery, make sure that it is fitted on the tool.
- ◆ Insert the charger plug (10) into the connector (9).
- ◆ Plug in the charger (7).
- ◆ Switch on at the mains.

After normal use, a charging time of 3 hours will provide sufficient power for most applications. However, further charging for up to 6 hours could significantly increase the use time, depending on the battery and charging conditions.

- ◆ Disconnect the tool from the charger.

Warning! Do not use the tool while it is connected to the charger.


Selecting the direction of rotation

For drilling and for tightening screws, use forward (clockwise) rotation. For loosening screws or removing a jammed drill bit, use reverse (counterclockwise) rotation.

- ◆ To select forward rotation, push the forward/reverse slider (2) to the left.
- ◆ To select reverse rotation, push the forward/reverse slider to the right.
- ◆ To lock the tool, set the forward/reverse slider into the centre position.

Selecting the operating mode or torque (fig. G)

This tool is fitted with a collar to select the operating mode and to set the torque for tightening screws. Large screws and hard workpiece materials require a higher torque setting than small screws and soft workpiece materials. The collar has a wide range of settings to suit your application.

- ◆ For drilling in wood, metal and plastics, set the collar (3) to the drilling position by aligning the symbol  with the marking (16).
- ◆ For screwdriving, set the collar to the desired setting. If you do not yet know the appropriate setting, proceed as follows:
 - Set the collar (3) to the lowest torque setting.
 - Tighten the first screw.
 - If the clutch ratchets before the desired result is achieved, increase the collar setting and continue tightening the screw. Repeat until you reach the correct setting. Use this setting for the remaining screws.

Switching on and off

Variable speed switch

- ◆ To switch the tool on, press the variable speed switch (1). The tool speed depends on how far you press the switch.
- ◆ To switch the tool off, release the variable speed switch.

Hints for optimum use

Drilling

- ◆ Always apply a light pressure in a straight line with the drill bit.
- ◆ Just before the drill tip breaks through the other side of the workpiece, decrease pressure on the tool.
- ◆ Use a block of wood to back up workpieces that may splinter.
- ◆ Use spade bits when drilling large diameter holes in wood.
- ◆ Use HSS drill bits when drilling in metal.
- ◆ Use masonry bits when drilling in soft masonry.
- ◆ Use a lubricant when drilling metals other than cast iron and brass.
- ◆ Make an indentation using a centre punch at the centre of the hole to be drilled in order to improve accuracy.

Screwdriving

- ◆ Always use the correct type and size of screwdriver bit.

- ◆ If screws are difficult to tighten, try applying a small amount of washing liquid or soap as a lubricant.
- ◆ Always hold the tool and screwdriver bit in a straight line with the screw.

Maintenance

Your Black & Decker tool has been designed to operate over a long period of time with a minimum of maintenance. Continuous satisfactory operation depends upon proper tool care and regular cleaning.

Your charger does not require any maintenance apart from regular cleaning.

Warning! Before performing any maintenance on the tool, remove the battery from the tool. Unplug the charger before cleaning it.

- ◆ Regularly clean the ventilation slots in your tool and charger using a soft brush or dry cloth.
- ◆ Regularly clean the motor housing using a damp cloth. Do not use any abrasive or solvent-based cleaner.
- ◆ Regularly open the chuck and tap it to remove any dust from the interior.

Protecting the environment



Separate collection. This product must not be disposed of with normal household waste.

Should you find one day that your Black & Decker product needs replacement, or if it is of no further use to you, do not dispose of it with household waste. Make this product available for separate collection.



Separate collection of used products and packaging allows materials to be recycled and used again. Reuse of recycled materials helps prevent environmental pollution and reduces the demand for raw materials.

Local regulations may provide for separate collection of electrical products from the household, at municipal waste sites or by the retailer when you purchase a new product.

Black & Decker provides a facility for the collection and recycling of Black & Decker products once they have reached the end of their working life. To take advantage of this service please return your product to any authorised repair agent who will collect them on our behalf.

You can check the location of your nearest authorised repair agent by contacting your local Black & Decker office at the address indicated

in this manual. Alternatively, a list of authorised Black & Decker repair agents and full details of our after-sales service and contacts are available on the Internet at: www.2helpU.com

Batteries



Black & Decker batteries can be recharged many times. At the end of their useful life, discard batteries with due care for our environment:

- ◆ Run the battery down completely, then remove it from the tool.
- ◆ NiCd, NiMH and Li-Ion batteries are recyclable. Take them to any authorised repair agent or a local recycling station.

Technical data

		EPC12(H1)	EPC14(H1)
Voltage	V_{DC}	12	14.4
No-load speed	min^{-1}	0-750	0-750
Max. torque	Nm	11	12.1
Chuck capacity	mm	10	10
Max drilling capacity			
Steel	mm	10	10
Wood	mm	25	25

Battery	A12E	A14E
Capacity	Ah 1.2	1.2
Type	NiCd	NiCd
Weight	kg 0.58	0.68

Battery	A12NH	A14NH
Capacity	Ah 1.5	1.5
Type	NiMH	NiMH
Weight	kg 0.6	0.7

Charger

		90500843	90500844
		90500847	90500848
		90500855	90500856
		90500858	90500859
Input voltage	V_{AC}	230-240	230-240
Output voltage	V_{DC}	14.5-15.3	17.4-18.2
Current	mA	210-220	200-210
Approx. charging time	h	8-10	8-10

		EPC18 (H1)	EPC96 (H1)
Voltage	V_{DC}	18	9.6
No-load speed	min^{-1}	0-750	0-750
Max. torque	Nm	12.1	10.4
Chuck capacity	mm	10	10
Max drilling capacity			
Steel	mm	10	10
Wood	mm	25	25

Battery	A18E	B96
Capacity	Ah 1.2	1.2
Type	NiCd	NiCd
Weight	kg 0.82	0.42

Battery	A18NH
Capacity	Ah 1.5
Type	NiMH
Weight	kg 0.9

Charger

		90500845	90500842
		90500849	90500846
		90500857	90500850
		90500860	90500854
Input voltage	V_{AC}	230-240	230-240
Output voltage	V_{DC}	21.75-22.6	11.6-12.2
Current	mA	210-230	210-220
Approx. charging time	h	8-10	8-10

Level of sound pressure according to EN 60745:

Sound pressure (L_{pA}) 73 dB(A), uncertainty (K) 3 dB(A)
 Sound power (L_{WA}) 84 dB(A), uncertainty (K) 3 dB(A)

Vibration total values (triax vector sum) according to EN 60745:

Drilling into metal ($a_{h,D}$) < 2.5 m/s^2 ,
 uncertainty (K) 1.5 m/s^2 ,
 Screwdriving without impact ($a_{h,S}$) < 2.5 m/s^2 ,
 uncertainty (K) 1.5 m/s^2

EC declaration of conformity

MACHINERY DIRECTIVE



EPC12/EPC14/EPC18/EPC96

Black & Decker declares that these products described under „technical data“ are in compliance with: 2006/42/EC, EN60745-1, EN60745-2-1

For more information, please contact Black & Decker at the following address or refer to the back of the manual.

The undersigned is responsible for compilation of the technical file and makes this declaration on behalf of Black & Decker.

Vice-President
 Global Engineering
 Black & Decker Europe,
 210 Bath Road, Slough,
 Berkshire, SL1 3YD
 United Kingdom
 18/05/2010

Guarantee

Black & Decker is confident of the quality of its products and offers an outstanding guarantee. This guarantee statement is in addition to and in no way prejudices your statutory rights. The guarantee is valid within the territories of the Member States of the European Union and the European Free Trade Area.

If a Black & Decker product becomes defective due to faulty materials, workmanship or lack of conformity, within 24 months from the date of purchase, Black & Decker guarantees to replace defective parts, repair products subjected to fair wear and tear or replace such products to ensure minimum inconvenience to the customer unless:

- ◆ The product has been used for trade, professional or hire purposes;
- ◆ The product has been subjected to misuse or neglect;
- ◆ The product has sustained damage through foreign objects, substances or accidents;
- ◆ Repairs have been attempted by persons other than authorised repair agents or Black & Decker service staff.

To claim on the guarantee, you will need to submit proof of purchase to the seller or an authorised repair agent. You can check the location of your nearest authorised repair agent by contacting your local Black & Decker office at the address indicated in this manual. Alternatively, a list of authorised Black & Decker repair agents and full details of our after-sales service and contacts are available on the Internet at: **www.2helpU.com**

Please visit our website

www.blackanddecker.co.uk to register your new Black & Decker product and to be kept up to date on new products and special offers. Further information on the Black & Decker brand and our range of products is available at **www.blackanddecker.co.uk**

Bestimmungsgemäße Verwendung

Ihr Black & Decker Bohrschrauber wurde für Schraubaufgaben sowie für das Bohren in Holz, Metall und Kunststoff konstruiert. Dieses Gerät ist nicht für den gewerblichen Einsatz vorgesehen.

Sicherheitshinweise

Allgemeine Warnhinweise zur Sicherheit von Elektrowerkzeugen



Achtung! Lesen Sie sämtliche Sicherheitswarnhinweise und sonstigen Anweisungen. Die Nichteinhaltung der nachstehend aufgeführten Warnhinweise und sonstigen Anweisungen kann einen elektrischen Schlag, Brand und/oder schwere Verletzungen verursachen.

Bewahren Sie alle Warnhinweise und sonstigen Anweisungen zur künftigen Bezugnahme auf. Der nachfolgend verwendete Begriff „Gerät“ bezieht sich auf netzbetriebene Geräte (mit Netzkabel) und auf akkubetriebene Geräte (ohne Netzkabel).

1. Sicherheit am Arbeitsplatz

- a. **Halten Sie Ihren Arbeitsbereich sauber und gut ausgeleuchtet.** Unordnung und dunkle Arbeitsbereiche fördern Unfälle geradezu heraus.
- b. **Arbeiten Sie mit Geräten nicht in explosionsgefährdeter Umgebung, in der sich brennbare Flüssigkeiten, Gase oder Stäube befinden.** Geräte erzeugen Funken, die den Staub oder die Dämpfe entzünden können.
- c. **Halten Sie Kinder und andere Personen während der Benutzung eines Geräts fern.** Bei Ablenkung können Sie die Kontrolle verlieren.

2. Elektrische Sicherheit

- a. **Der Anschlussstecker des Geräts muß in die Steckdose passen. Der Stecker darf in keiner Weise verändert werden. Verwenden Sie keine Adapterstecker gemeinsam mit schutzgeerdeten Geräten.** Unveränderte Stecker und passende Steckdosen verringern das Risiko eines elektrischen Schlages.
- b. **Vermeiden Sie Körperkontakt mit geerdeten Oberflächen von Rohren, Heizungen, Herden und Kühlschränken.** Es besteht ein erhöhtes Risiko eines elektrischen Schlages, wenn Ihr Körper geerdet ist.
- c. **Halten Sie Geräte von Regen und Nässe fern.** Das Eindringen von Wasser in ein Gerät erhöht das Risiko eines elektrischen Schlages.
- d. **Mißbrauchen Sie nicht das Kabel. Verwenden Sie das Kabel niemals zum Tragen, Ziehen oder Trennen des Gerätes vom**

Netz. Halten Sie das Kabel fern von Hitze, Öl, scharfen Kanten oder sich bewegenden Teilen. Beschädigte oder verwickelte Kabel erhöhen das Risiko eines elektrischen Schlages.

- e. **Wenn Sie mit einem Gerät im Freien arbeiten, verwenden Sie nur Verlängerungskabel, die auch für den Außenbereich zugelassen sind.** Die Verwendung eines für den Außenbereich geeigneten Verlängerungskabels verringert das Risiko eines elektrischen Schlages.
 - f. **Falls der Betrieb des Elektrowerkzeugs in einer feuchten Umgebung unvermeidbar ist, verwenden Sie einen mit einem Fehlerstromschutzschalter (FI-Schutzschalter) abgesicherten Stromkreis.** Durch die Verwendung eines FI-Schutzschalters wird das Risiko eines Stromschlags verringert.
- ### 3. Sicherheit von Personen
- a. **Seien Sie aufmerksam, achten Sie darauf, was Sie tun, und gehen Sie vernünftig mit einem Gerät um. Benutzen Sie das Gerät nicht, wenn Sie müde sind oder unter dem Einfluß von Drogen, Alkohol oder Medikamenten stehen.** Ein Moment der Unachtsamkeit beim Gebrauch von Geräten kann zu ernsthaften Verletzungen führen.
 - b. **Tragen Sie persönliche Schutzausrüstung. Tragen Sie immer eine Schutzbrille.** Das Tragen persönlicher Schutzausrüstung, wie Staubmaske, rutschfeste Sicherheitsschuhe, Schutzhelm oder Gehörschutz, je nach Art und Einsatz des Elektrowerkzeuges, verringert das Risiko von Verletzungen.
 - c. **Vermeiden Sie eine unbeabsichtigte Inbetriebnahme. Vergewissern Sie sich, dass der Schalter auf der Aus-Stellung steht, bevor Sie den Stecker in die Steckdose stecken und/oder das Akkupaket im Werkzeug stecken, das Werkzeug aufnehmen oder tragen.** Wenn Sie beim Tragen des Elektrowerkzeugs den Finger am Schalter haben oder das Werkzeug eingeschaltet an die Stromversorgung anschließen, kann dies zu Unfällen führen.
 - d. **Entfernen Sie Einstell- oder Schraubenschlüssel, bevor Sie das Gerät einschalten.** Ein Schlüssel, der sich in einem sich drehenden Teil befindet, kann zu Verletzungen führen.
 - e. **Nicht zu weit nach vorne strecken! Achten Sie auf einen sicheren Stand, um in jeder Arbeitsposition das Gleichgewicht zu halten.** Dadurch können Sie das Gerät in unerwarteten Situationen besser unter Kontrolle halten.
 - f. **Tragen Sie geeignete Kleidung. Tragen Sie keine weite Kleidung oder Schmuck. Halten**

Sie Haare, Kleidung und Handschuhe fern von sich bewegendenden Teilen. Lockere Kleidung, Schmuck oder lange Haare können von sich bewegendenden Teilen erfaßt werden.

g. Falls Staubabsaug- und -auffangvorrichtungen vorhanden sind, vergewissern Sie sich, daß diese angeschlossen sind und richtig verwendet werden. Das Verwenden dieser Einrichtungen verringert Gefährdungen durch Staub.

4. Gebrauch und Pflege von Geräten

a. Überlasten Sie das Gerät nicht. Verwenden Sie für Ihre Arbeit das dafür bestimmte Gerät. Mit dem passenden Gerät arbeiten Sie besser und sicherer im angegebenen Leistungsbereich.

b. Benutzen Sie kein Gerät, dessen Schalter defekt ist. Ein Gerät, das sich nicht mehr ein- oder ausschalten läßt, ist gefährlich und muß repariert werden.

c. Trennen Sie den Stecker von der Stromquelle und/oder das Akkupaket vom Elektrowerkzeug, bevor Einstellungen vorgenommen, Zubehör gewechselt oder Elektrowerkzeuge verstaut werden. Diese Vorsichtsmaßnahmen verhindern den unbeabsichtigten Start des Gerätes.

d. Bewahren Sie unbenutzte Geräte außerhalb der Reichweite von Kindern auf. Lassen Sie Geräte nicht von Personen benutzen, die damit nicht vertraut sind oder diese Anweisungen nicht gelesen haben. Geräte sind gefährlich, wenn Sie von unerfahrenen Personen benutzt werden.

e. Halten Sie Geräte in einem einwandfreien Zustand. Kontrollieren Sie, ob bewegliche Teile falsch ausgerichtet sind oder klemmen und ob Teile gebrochen oder so beschädigt sind, daß die Funktion des Geräts beeinträchtigt ist. Lassen Sie beschädigte Geräte vor dem Gebrauch reparieren. Viele Unfälle haben ihre Ursache in schlecht gewarteten Geräten.

f. Halten Sie Schneidgeräte scharf und sauber. Sorgfältig gepflegte Schneidgeräte mit scharfen Schneidkanten verklemmen sich weniger und sind leichter zu führen.

g. Verwenden Sie das Elektrowerkzeug, Zubehör sowie Werkzeug-Bits, usw. entsprechend diesen Anweisungen. Berücksichtigen Sie dabei die Arbeitsbedingungen sowie die durchzuführende Arbeit. Der Gebrauch von Geräten für andere als die vorgesehenen Anwendungen kann zu gefährlichen Situationen führen.

5. Gebrauch und Pflege von Akkugeräten

a. Laden Sie die Akkus nur in Ladegeräten auf, die vom Hersteller angegeben wurden. Für ein Ladegerät, das nur für eine bestimmte Akkuart geeignet ist, besteht Brandgefahr, wenn es mit anderen Akkus verwendet wird.

b. Verwenden Sie nur die für die Geräte vorgesehenen Akkus. Der Gebrauch von anderen Akkus kann zu Verletzungen und Brandgefahr führen.

c. Halten Sie den nicht benutzten Akku fern von Büroklammern, Münzen, Schlüsseln, Nägeln, Schrauben oder anderen kleinen Metallgegenständen, die eine Überbrückung der Kontakte verursachen könnten. Ein Kurzschluss zwischen den Akkukontakten kann Verbrennungen oder Feuer zur Folge haben.

d. Bei falscher Anwendung kann Flüssigkeit aus dem Akku austreten. Vermeiden Sie den Kontakt damit. Bei unbeabsichtigtem Kontakt mit Wasser abspülen. Gelangt die Flüssigkeit in die Augen, ziehen Sie außerdem ärztliche Hilfe hinzu. Austretende Batterieflüssigkeit kann zu Hautreizungen oder Verbrennungen führen.

6. Service

a. Lassen Sie Ihr Gerät nur von qualifiziertem Fachpersonal und nur mit Original-Ersatzteilen reparieren. Damit wird gewährleistet, daß die Sicherheit des Geräts erhalten bleibt.

Zusätzliche Warnhinweise zur Sicherheit von Elektrowerkzeugen



Achtung! Zusätzliche Warnhinweise zur Sicherheit für Bohrmaschinen und Schlagbohrmaschinen

♦ **Tragen Sie bei Schlagbohrmaschinen einen Gehörschutz.** Lärm kann Gehörschäden verursachen.

♦ **Verwenden Sie die im Lieferumfang des Werkzeugs enthaltenen Zusatzhandgriffe.** Ein Kontrollverlust kann Personenverletzungen verursachen.

♦ **Halten Sie das Elektrowerkzeug an den isolierten Griffflächen, wenn Arbeiten durchgeführt werden, bei denen das Schneidezubehör versteckte Leitungen oder die eigene Anschlußleitung berühren könnte.** Schneidezubehöerteil, das eine spannungsführende Leitung berühren, setzen die freiliegenden Metallteile des Geräts unter Spannung und der Benutzer erleidet einen Stromschlag.

- ◆ **Verwenden Sie Zwingen oder ähnliche Mittel, um das Werkstück auf einer stabilen Plattform zu halten und zu sichern.** Falls das Werkstück mit der Hand oder gegen den Körper gehalten wird, bleibt es instabil und Sie können die Kontrolle verlieren.
- ◆ Informieren Sie sich vor dem Bohren in Wände, Böden und Decken über den genauen Verlauf von Leitungen und Rohren.
- ◆ Vermeiden Sie eine Berührung der Spitze eines Bohrers kurz nach dem Bohren, da sie heiß sein kann.
- ◆ Dieses Gerät darf nicht von Personen (einschließlich Kindern) mit eingeschränkten körperlichen, sensorischen oder geistigen Fähigkeiten verwendet werden. Auch darf es nicht von Personen verwendet werden, die keine Erfahrung mit dem Gerät oder Kenntnis darüber haben, es sei denn, sie stehen beim Gebrauch unter der Aufsicht und Anleitung einer für deren Sicherheit verantwortlichen Person. Kinder müssen beaufsichtigt werden, um sicherzustellen, daß sie nicht mit dem Gerät spielen.
- ◆ Die bestimmungsgemäße Verwendung ist in dieser Bedienungsanleitung beschrieben. Das Verwenden anderer als der in dieser Anleitung empfohlenen Anbaugeräte und Zubehörteile oder die Ausführung von Arbeiten mit diesem Gerät, die nicht der bestimmungsgemäßen Verwendung entsprechen, kann zu Unfallgefahren und/oder Sachschäden führen.

Zusätzliche Sicherheitsanweisungen für Akkus und Ladegeräte

Akkus

- ◆ Versuchen Sie auf keinen Fall, eine Batterie zu öffnen.
- ◆ Setzen Sie den Akku keiner Nässe aus.
- ◆ Nicht an einem Ort aufbewahren, wo die Temperatur 40 °C überschreiten kann.
- ◆ Nur bei Umgebungstemperaturen zwischen 10 °C und 40 °C aufladen.
- ◆ Laden Sie den Akku nur mit dem im Lieferumfang enthaltenen Ladegerät.
- ◆ Befolgen Sie bei der Entsorgung von Akkus die Anweisungen im Abschnitt „Umweltschutz“.



Versuchen Sie nie, einen beschädigten Akku zu laden.

Ladegeräte

- ◆ Verwenden Sie Ihr Black & Decker Ladegerät nur zum Laden von Akkus des im Lieferumfang enthaltenen Typs. Andere Akkus könnten plat-

zen und Sach- und Personenschäden verursachen.

- ◆ Versuchen Sie nie, nicht aufladbare Batterien zu laden.
- ◆ Lassen Sie beschädigte Leitungen sofort austauschen.
- ◆ Setzen Sie das Ladegerät niemals Nässe aus.
- ◆ Öffnen Sie das Ladegerät nicht.
- ◆ Fassen Sie nicht mit den Fingern oder irgendwelchen Gegenständen in das Ladegerät.



Das Ladegerät ist ausschließlich für den Gebrauch in geschlossenen Räumen vorgesehen.



Lesen Sie vor dem Gebrauch sorgfältig die Bedienungsanleitung.



Das Ladegerät schaltet automatisch ab, wenn die Umgebungstemperatur zu hoch wird. Die Vorrichtung zur temperaturbedingten Abschaltung muss nach einmaliger Verwendung vollständig ersetzt werden.

Vibrationen

Die angegebenen Vibrationswerte in den Technischen Daten und der Konformitätserklärung wurden gemäß einer standardisierten und durch EN 60745 festgelegten Prüfmethode gemessen und können herangezogen werden, um ein Werkzeug mit einem anderen zu vergleichen. Der angegebene Vibrationswert kann auch für eine vorläufige Einstufung der Freisetzung herangezogen werden.

Achtung! Der Vibrationswert beim eigentlichen Gebrauch des Elektrowerkzeugs kann vom angegebenen Wert abweichen. Dies hängt davon ab, auf welche Weise das Werkzeug verwendet wird. Der Vibrationswert kann über den angegebenen Wert hinaus ansteigen.

Bei der Einstufung der Vibrationen zur Festlegung der von 2002/44/EG geforderten Sicherheitsmaßnahmen zum Schutz von Personen, die beruflich regelmäßig mit Elektrowerkzeugen arbeiten, muß eine Vibrationseinstufung die tatsächlichen Gebrauchsbedingungen und die Art und Weise berücksichtigen, wie das Werkzeug verwendet wird. Auch müssen alle Aspekte des Arbeitszyklus berücksichtigt werden, wie beispielsweise die Zeiten, in denen das Werkzeug aus- und eingeschaltet ist und im Leerlauf läuft.

Schilder auf dem Gerät

Es befinden sich folgende Bildzeichen auf dem Gerät:



Achtung! Um die Verletzungsgefahr zu verringern, muß der Benutzer die Bedienungsanleitung lesen.

Elektrische Sicherheit



Ihr Ladegerät ist schutzisoliert, daher ist keine Erdleitung erforderlich. Überprüfen Sie immer, ob die Netzspannung mit der Spannung auf der Datenplakette übereinstimmt. Tauschen Sie das Ladegerät auf keinen Fall gegen einen Netzstecker aus.

- ♦ Falls das Netzkabel beschädigt ist, so ist es vom Hersteller oder einem autorisierten Black & Decker Service Center auszutauschen, um Gefahren vorzubeugen.

Merkmale

Dieses Gerät weist einige oder alle der folgenden Merkmale auf.

1. Drehzahl-Regelschalter oder zweistufiger Ein-/Ausschalter
2. Rechts-/Linkslaufschalter
3. Betriebsart-Wahlschalter/Drehmoment-Einstellring
4. Bohrfutter
5. Akku
6. Akku-Löseknopf

Abb. C & D

7. Ladegerät
8. Ladegerätaufnahme
9. Anschlußbuchse für Ladegerät
10. Ladegerätstecker

Montage

Achtung! Nehmen Sie vor der Montage den Akku vom Gerät.

Anbringen und Entfernen des Akkus (Abb. A)

- ♦ Um den Akku (5) anzubringen, richten Sie ihn mit der Aufnahme am Gerät aus. Schieben Sie den Akku in die Aufnahme und drücken ihn, bis er einrastet.
- ♦ Um den Akku zu entfernen, drücken Sie den Löseknopf (6) und ziehen Sie gleichzeitig den Akku aus der Aufnahme heraus.

Anbringen der Akku-Kappe (Abb. B)

Achtung! Bringen Sie zum Transport und zur Aufbewahrung die Kappe (11) am Akku (5) an.

Anbringen und Entfernen eines Bohrers oder einer Schrauber Klinge (Abb. E)

Achtung! Entfernen Sie zuerst den Akku vom Gerät.

Dieses Werkzeug ist mit einem Schnellspannfutter ausgestattet, das ein leichtes und schnelles Austauschen von Bohrern und Schrauberkingen ermöglicht.

- ♦ Sperren Sie das Werkzeug, indem Sie den Rechts-/Linkslaufschalter (2) in die mittlere Stellung schieben.
- ♦ Öffnen Sie das Bohrfutter, indem Sie den vorderen Teil (12) mit der einen Hand aufdrehen, während Sie den hinteren Teil (13) mit der anderen Hand festhalten.
- ♦ Stecken Sie den Schaft (14) des Bohrers bzw. der Schrauber Klinge in das Bohrfutter.
- ♦ Ziehen Sie das Bohrfutter fest, indem Sie den vorderen Teil (12) mit der einen Hand zudrehen, während Sie den hinteren Teil (13) mit der anderen Hand festhalten.

Entfernen und Anbringen des Bohrfutters (Abb. F)

- ♦ Öffnen Sie das Spannfutter vollständig.
- ♦ Entfernen Sie die Bohrfuttersicherungsschraube, indem Sie sie mit einem Schraubendreher im Uhrzeigersinn drehen.
- ♦ Spannen Sie einen Innensechskantschlüssel (15) in das Spannfutter ein, und schlagen Sie wie angegeben mit einem Hammer auf den Innensechskantschlüssel.
- ♦ Entfernen Sie den Innensechskantschlüssel.
- ♦ Entfernen Sie das Spannfutter, indem Sie es gegen den Uhrzeigersinn drehen.
- ♦ Um das Spannfutter wieder anzubringen, schrauben Sie es auf die Spindel, und sichern Sie es mit der Spannfutter-Sicherungsschraube.

Restrisiken

Für den Gebrauch dieses Werkzeugs verbleiben zusätzliche Restrisiken, die möglicherweise nicht in den Sicherheitswarnungen genannt werden. Diese Risiken bestehen beispielsweise bei Missbrauch oder längerem Gebrauch.

Auch bei der Einhaltung der entsprechenden Sicherheitsvorschriften und der Verwendung aller Sicherheitsgeräte bestehen weiterhin bestimmte Restrisiken. Diese werden im Folgenden aufgeführt:

- ♦ **Verletzungen, die durch das Berühren von sich drehenden/bewegenden Teilen verursacht werden.**
- ♦ **Verletzungen, die durch das Austauschen von Teilen, Messern oder Zubehör verursacht werden.**

- ◆ **Verletzungen, die durch längeren Gebrauch eines Werkzeugs verursacht werden. Legen Sie bei längerem Gebrauch regelmäßige Pausen ein.**
- ◆ **Beeinträchtigung des Gehörs.**
- ◆ **Gesundheitsrisiken durch das Einatmen von Staub beim Gebrauch des Werkzeugs (beispielsweise bei Holzarbeiten, insbesondere Eiche, Buche und Pressspan).**

Gebrauch

Achtung! Beschleunigen Sie den Arbeitsvorgang nicht mit Gewalt. Vermeiden Sie eine Überlastung des Gerätes.

Laden des Akkus

Der Akku ist zu laden, bevor Sie das Akku-Gerät zum ersten Mal benutzen sowie wenn die Leistung des Akku-Geräts spürbar nachläßt. Wenn der Akku zum ersten Mal oder nach längerer Lagerung geladen wird, wird er nur 80% der Nennkapazität erreichen. Erst nach mehreren Lade- und Entladezyklen wird der Akku die volle Kapazität erreichen. Während des Ladens kann sich der Akku erwärmen. Dies deutet nicht auf irgendein Problem hin.

Achtung! Laden Sie den Akku nicht bei einer Umgebungstemperatur unter 10 °C oder über 40 °C. Empfohlene Ladetemperatur: zirka 24 °C.

Ladegerät mit Ladegerätbuchse (Abb. C)

- ◆ Um den Akku (5) zu laden, entfernen Sie ihn vom Gerät, und schieben Sie die Ladegerätaufnahme (8) auf den Akku.
- ◆ Stecken Sie das Ladegerät (7) in die Steckdose. Bei normalem Gebrauch liefert eine Ladezeit von 3 Stunden für die meisten Einsätze ausreichend Energie. Je nach Zustand des Akkus und den Ladebedingungen kann eine weitere Ladezeit von bis zu 6 Stunden die Einsatzzeit jedoch beträchtlich erhöhen.
- ◆ Entfernen Sie den Akku vom Ladegerät.

Ladegerät mit Ladegerätstecker (Abb. D)

- ◆ Um den Akku zu laden, stellen Sie sicher, daß dieser im Werkzeug eingebaut ist.
- ◆ Stecken Sie den Stecker des Ladegeräts (10) in die Buchse (9).
- ◆ Stecken Sie das Ladegerät (7) in die Steckdose. Bei normalem Gebrauch liefert eine Ladezeit von 3 Stunden für die meisten Einsätze ausreichend Energie. Je nach Zustand des Akkus und den Ladebedingungen kann eine weitere Ladezeit von bis zu 6 Stunden die Einsatzzeit jedoch beträchtlich erhöhen.

- ◆ Trennen Sie das Werkzeug vom Ladegerät.
- Achtung!** Verwenden Sie das Werkzeug nicht, während es am Ladegerät angeschlossen ist.


Wahl der Laufrichtung

Zum Bohren sowie zum Eindrehen von Schrauben verwenden Sie den Rechtslauf (im Uhrzeigersinn). Zum Lösen von Schrauben sowie zum Lösen eines festsitzenden Bohrers verwenden Sie den Linkslauf (gegen den Uhrzeigersinn).

- ◆ Für Rechtslauf schieben Sie den Rechts-/Linkslaufschalter (2) nach links.
- ◆ Für Linkslauf schieben Sie den Rechts-/Linkslaufschalter nach rechts.
- ◆ Um das Werkzeug zu sperren, schieben Sie den Rechts-/ Linkslaufschalter in die Mittelstellung.

Wahl der Betriebsart bzw. des Drehmoments (Abb. G)

Dieses Gerät ist mit einem Drehring zur Einstellung der Betriebsart und zur Einstellung des Drehmoments beim Eindrehen von Schrauben ausgestattet. Große Schrauben und harte Werkstücke erfordern eine höhere Einstellung des Drehmoments als kleine Schrauben und weiche Werkstücke. Der Ring hat einen großen Einstellbereich, um Ihrem Einsatz gerecht zu werden.

- ◆ Zum Bohren in Holz, Metall und Kunststoff drehen Sie den Ring (3) in die Bohrstellung, indem Sie das  Symbol mit der Markierung (16) ausrichten.
- ◆ Zum Schrauben drehen Sie den Ring in die gewünschte Stellung. Falls Sie die richtige Einstellung noch nicht kennen, gehen Sie folgendermaßen vor:
 - Stellen Sie den Ring (3) in die Stellung mit dem geringsten Drehmoment.
 - Ziehen Sie die erste Schraube fest.
 - Falls die Kupplung zu schnell auskuppelt, stellen Sie den Ring auf einen größeren Wert ein und setzen Sie den Schraubvorgang fort. Wiederholen Sie diese Methode, bis Sie den richtigen Wert gefunden haben. Verwenden Sie diesen Wert für die anderen Schrauben.

Ein- und Ausschalten

Drehzahl-Regelschalter

- ◆ Um das Gerät einzuschalten, drücken Sie auf den Drehzahl-Regelschalter (1). Je tiefer Sie den Schalter drücken, umso höher ist die Drehzahl des Geräts.
- ◆ Um das Gerät auszuschalten, lassen Sie den Geschwindigkeitsregelschalter los.

Hinweise für optimale Arbeitsergebnisse

Bohren

- ◆ Üben Sie immer einen leichten Druck in Richtung der Bohrerspitze aus.
- ◆ Sobald Sie spüren, daß das Werkstück fast durchbohrt ist, reduzieren Sie schrittweise den Druck auf die Bohrerspitze, bis der Bohrvorgang beendet ist.
- ◆ Beim Bohren in Materialien, die leicht splintern oder ausreißen, sollten Sie einen Holzklötzchen hinter Ihr Werkstück legen.
- ◆ Verwenden Sie zum Bohren größerer Löcher in Holz einen Flachbohrer.
- ◆ Verwenden Sie zum Bohren in Metall HSS-Bohrer.
- ◆ Verwenden Sie zum Bohren in weiches Mauerwerk Steinbohrer.
- ◆ Verwenden Sie beim Bohren in andere Metalle als Gußeisen und Messing ein Schmiermittel.
- ◆ Markieren Sie die Bohrstelle mit Hilfe eines Bohrkörners, um ein positionsgenaues Bohren zu gewährleisten.

Schrauben

- ◆ Verwenden Sie immer ein Schraubendreher-Bit des richtigen Typs und in der richtigen Größe.
- ◆ Falls sich Schrauben schwer eindrehen lassen, tragen Sie etwas Spülmittel oder Seife als Schmiermittel an der Schraube auf.
- ◆ Halten Sie das Werkzeug und das Schraubendreher-Bit immer in einer geraden Linie mit der Schraube.

Wartung

Ihr Black & Decker Gerät wurde im Hinblick auf eine lange Lebensdauer und einen möglichst geringen Wartungsaufwand entwickelt. Ein dauerhafter, einwandfreier Betrieb setzt eine regelmäßige Reinigung voraus.

Ihr Ladegerät bedarf keinerlei Wartung außer einer regelmäßigen Reinigung.

Achtung! Bevor Sie irgendwelche Wartungsarbeiten vornehmen, entfernen Sie den Akku vom Akku-Gerät. Ziehen Sie den Netzstecker des Ladegerätes aus der Steckdose, bevor Sie es reinigen.

- ◆ Reinigen Sie regelmäßig die Lüftungsschlitze im Gerät und Ladegerät mit Hilfe einer weichen Bürste oder eines trockenen Tuches.
- ◆ Reinigen Sie regelmäßig das Motorgehäuse mit Hilfe eines feuchten Tuches. Verwenden Sie keine scheuernden Reinigungsmittel oder Lösungsmittel auf Lösungsmittelbasis.

- ◆ Reinigen Sie regelmäßig das Spannfutter, indem Sie es öffnen und durch leichtes Klopfen Staub aus dem Inneren entfernen.

Umweltschutz



Getrennte Entsorgung. Dieses Produkt darf nicht über den normalen Hausmüll entsorgt werden.

Sollte Ihr Black & Decker Produkt eines Tages erneuert werden müssen, oder falls Sie es nicht weiter verwenden wollen, so darf es nicht über den Hausmüll entsorgt werden. Stellen Sie dieses Produkt zur getrennten Entsorgung bereit.



Durch die getrennte Entsorgung gebrauchter Produkte und Verpackungen können die Materialien recycelt und wiederverwertet werden. Die Wiederverwertung recycelter Materialien schont die Umwelt und verringert die Nachfrage nach Rohstoffen.

Die regionalen Bestimmungen schreiben unter Umständen die getrennte Entsorgung elektrischer Produkte aus dem Haushalt an Sammelstellen oder seitens des Händlers vor, bei dem Sie das neue Produkt erworben haben.

Black & Decker nimmt Ihre ausgedienten Black & Decker Geräte gern zurück und sorgt für eine umweltfreundliche Entsorgung und Wiederverwertung. Um diesen Dienst zu nutzen, schicken Sie bitte Ihr Produkt zu einer Vertragswerkstatt. Hier wird es dann auf unsere Kosten gesammelt.

Die Adresse der zuständigen Black & Decker Vertretung steht in diesem Handbuch, darüber läßt sich die nächstgelegene Vertragswerkstatt ermitteln. Außerdem ist eine Liste der Vertragswerkstätten und aller Kundendienststellen von Black & Decker sowie der zuständigen Ansprechpartner im Internet zu finden unter: www.2helpU.com

Akkus



Black & Decker Akkus lassen sich viele Male wiederaufladen. Entsorgen Sie eine leere Batterie am Ende ihrer Lebensdauer auf umweltgerechte Weise:

- ◆ Entladen Sie die Batterie vollständig, und entfernen Sie sie anschließend aus dem Werkzeug.
- ◆ NiCd-, NiMH- und Li-Ion-Akkus sind wiederverwertbar. Bringen Sie sie zu einer Vertragswerkstatt oder einer Recycling-Station in Ihrer Nähe.

Technische Daten

		EPC12(H1)	EPC14(H1)
Spannung	V _{DC}	12	14,4
Leerlaufdrehzahl	min ⁻¹	0-750	0-750
Max. Drehmoment	Nm	11	12,1
Spannfutterweite	mm	10	10
Max. Bohrkapazität			
Stahl	mm	10	10
Holz	mm	25	25

Akku		A12E	A14E
Kapazität	Ah	1,2	1,2
Akkutyp		NiCd	NiCd
Gewicht	kg	0,58	0,68

Akku		A12NH	A14NH
Kapazität	Ah	1,5	1,5
Akkutyp		NiMH	NiMH
Gewicht	kg	0,6	0,7

Ladegerät

		90500843	90500844
		90500847	90500848
		90500855	90500856
		90500858	90500859
Netzspannung	V _{AC}	230-240	230-240
Ausgangsspannung	V _{DC}	14,5-15,3	17,4-18,2
Amperezahl	mA	210-220	200-210
Ladezeit (zirka)	h	8-10	8-10

		EPC18 (H1)	EPC96 (H1)
Spannung	V _{DC}	18	9,6
Leerlaufdrehzahl	min ⁻¹	0-750	0-750
Max. Drehmoment	Nm	12,1	10,4
Spannfutterweite	mm	10	10
Max. Bohrkapazität			
Stahl	mm	10	10
Holz	mm	25	25

Akku		A18E	B96
Kapazität	Ah	1,2	1,2
Akkutyp		NiCd	NiCd
Gewicht	kg	0,82	0,42

Akku		A18NH	
Kapazität	Ah	1,5	
Akkutyp		NiMH	
Gewicht	kg	0,9	

Ladegerät

		90500845	90500842
		90500849	90500846
		90500857	90500850
		90500860	90500854
Netzspannung	V _{AC}	230-240	230-240
Ausgangsspannung	V _{DC}	21,75-22,6	11,6-12,2
Amperezahl	mA	210-230	210-220
Ladezeit (zirka)	h	8-10	8-10

Gesamtvibrationswerte (Triax-Vektorsumme) gemäß EN 60745:

Bohren in Metall (a_{h,d}) < 2,5 m/s², Unsicherheitsfaktor (K) 1,5 m/s², Schlagloses Schrauben (a_{h,s}) < 2,5 m/s², Unsicherheitsfaktor (K) 1,5 m/s²

Höhe des Schalldrucks gemäß EN 60745:

Schalldruck (L_{PA}) 73 dB(A), Unsicherheitsfaktor (K) 3 dB(A), Schallleistung (L_{WA}) 84 dB(A), Unsicherheitsfaktor (K) 3 dB(A)

EG-Konformitätserklärung MASCHINENRICHTLINIE



EPC12/EPC14/EPC18/EPC96

Black & Decker erklärt, daß diese unter „Technische Daten“ beschriebenen Produkte folgende Richtlinien erfüllen: 2006/42/EG, EN60745-1, EN60745-2-1

Wenden Sie sich für weitere Informationen bitte an folgende Black & Decker Anschrift bzw. an die hinten im Handbuch angegebene Anschrift.

Der Unterzeichnete ist für die Zusammenstellung der technischen Datei verantwortlich und gibt diese Erklärung im Namen von Black & Decker ab.

Kevin Hewitt
Vice-President
Global Engineering
Black & Decker Europe,
210 Bath Road, Slough,
Berkshire, SL1 3YD
Vereinigtes Königreich
18/05/2010

Garantie

Black & Decker vertraut auf die Qualität der eigenen Geräte und bietet dem Käufer eine außergewöhnliche Garantie. Diese Garantiezusage versteht sich unbeschadet der gesetzlichen Gewährleistungsansprüche und schränkt diese keinesfalls ein. Sie gilt in sämtlichen Mitgliedsstaaten der Europäischen Union und der Europäischen Freihandelszone EFTA.

Tritt innerhalb von 24 Monaten ab Kaufdatum an einem Gerät von Black & Decker ein auf Material- oder Verarbeitungsfehler zurückzuführender Mangel auf, garantiert Black & Decker den Austausch defekter Teile, die Reparatur von Geräten mit üblichem Verschleiß bzw. den Austausch eines mangelhaften Geräts, ohne den Kunden dabei mehr als unbedingt nötig in Anspruch zu nehmen, allerdings vorbehaltlich folgender Ausnahmen:

- ◆ wenn das Gerät gewerblich, beruflich oder im Verleihgeschäft benutzt wurde;
- ◆ wenn das Gerät mißbräuchlich verwendet oder mit mangelnder Sorgfalt behandelt wurde;
- ◆ wenn das Gerät durch irgendwelche Fremdeinwirkung beschädigt wurde;
- ◆ wenn ein unbefugter Reparaturversuch durch anderes Personal als das einer Vertragswerkstatt oder des Black & Decker-Kundendienstes unternommen wurde.

Zur Inanspruchnahme dieser Garantie ist dem Verkäufer bzw. der Vertragswerkstatt ein Kaufnachweis vorzulegen. Der Kaufnachweis muß Kaufdatum und Gerätetyp bescheinigen. Die Adresse des zuständigen Büros von Black & Decker steht in dieser Anleitung, darüber läßt sich die nächstgelegene Vertragswerkstatt ermitteln. Außerdem ist eine Liste der Vertragswerkstätten und aller Kundendienststellen von Black & Decker sowie der zuständigen Ansprechpartner im Internet zu finden unter: **www.2helpU.com**

Bitte besuchen Sie unsere Webseite **www.blackanddecker.de**, um Ihr neues Black & Decker Produkt zu registrieren und über neue Produkte und Sonderangebote aktuell informiert zu werden. Weitere Informationen über die Marke Black & Decker und unsere Produkte finden Sie unter **www.blackanddecker.de**

Utilisation prévue

Votre perceuse / tournevis Black & Decker a été conçue pour la pose de vis et pour le perçage du bois, du métal et des matières plastiques. Cet outil a été conçu pour une utilisation exclusivement domestique.

Instructions de sécurité

Consignes de sécurité générales pour les outils électriques



Attention ! Prenez connaissance de tous les avertissements de sécurité et de toutes les instructions. Le non-respect des avertissements et des instructions indiqués ci-dessous peut entraîner une électrocution, un incendie ou de graves blessures.

Conservez tous les avertissements et instructions pour référence future. La notion d'« outil électroportatif » mentionnée par la suite se rapporte à des outils électriques raccordés au secteur (avec câble de raccordement) ou fonctionnant sur piles (sans fil).

1. Sécurité de la zone de travail


- a. **Maintenez la zone de travail propre et bien éclairée.** Un lieu de travail en désordre ou mal éclairé augmente le risque d'accidents.
- b. **N'utilisez pas les outils électroportatifs dans un environnement présentant des risques d'explosion ni en présence de liquides, gaz ou poussières inflammables.** Les outils électroportatifs génèrent des étincelles risquant d'enflammer les poussières ou les vapeurs.
- c. **Tenez les enfants et autres personnes éloignés durant l'utilisation de l'outil électroportatif.** En cas d'inattention, vous risquez de perdre le contrôle sur l'outil.

2. Sécurité électrique

- a. **La fiche de secteur de l'outil électroportatif doit convenir à la prise de courant. Ne modifiez en aucun cas la fiche. N'utilisez pas de fiches d'adaptateur avec des outils ayant une prise de terre.** Les fiches non modifiées et les prises de courant appropriées réduisent le risque d'électrocution.
- b. **Évitez le contact physique avec des surfaces mises à la terre telles que tuyaux, radiateurs, fours et réfrigérateurs.** Il y a un risque élevé d'électrocution si votre corps est relié à la terre.
- c. **N'exposez pas l'outil électroportatif à la pluie ni à l'humidité.** La pénétration d'eau

dans un outil électroportatif augmente le risque d'électrocution.

- d. **Préservez le câble d'alimentation. N'utilisez pas le câble à d'autres fins que celles prévues, notamment pour porter l'outil, l'accrocher voire le débrancher de la prise de courant. Maintenez le câble éloigné des sources de chaleur, des parties grasses, des bords tranchants ou des parties de l'outil en rotation.** Un câble endommagé ou enchevêtré augmente le risque d'électrocution.
 - e. **Si vous utilisez l'outil électroportatif à l'extérieur, utilisez une rallonge homologuée pour utilisation à l'air libre.** L'utilisation d'une rallonge électrique homologuée pour les applications extérieures réduit le risque d'électrocution.
 - f. **Si l'usage d'un outil dans un emplacement humide est inévitable, utilisez une alimentation protégée par un dispositif à courant différentiel résiduel (RCD).** L'usage d'un RCD réduit le risque de choc électrique.
- ### 3. Sécurité personnelle
- a. **Restez vigilant, surveillez ce que vous faites. Faites preuve de bon sens quand vous utilisez l'outil électroportatif. N'utilisez pas l'outil lorsque vous êtes fatigué ou après avoir consommé de l'alcool, des drogues voire des médicaments.** Un moment d'inattention lors de l'utilisation de l'outil peut entraîner de graves blessures.
 - b. **Utilisez un équipement de protection personnelle. Portez toujours une protection pour les yeux.** Les équipements de protection personnelle tels que les masques anti-poussières, chaussures de sécurité antidérapantes, casques ou protections acoustiques utilisés dans des conditions appropriées réduisent les blessures.
 - c. **Évitez toute mise en marche involontaire. Vérifiez que l'interrupteur est en position arrêté avant de brancher l'outil au secteur ou au bloc de batteries, de le prendre ou de le porter.** Transporter les outils en avec le doigt sur l'interrupteur ou les brancher avec l'interrupteur en position de marche est une source d'accidents.
 - d. **Enlevez tout outil ou clé de réglage avant de mettre l'outil en marche.** Une clé ou un outil se trouvant sur une partie en rotation peut causer des blessures.
 - e. **Adoptez une position confortable. Adoptez une position stable et gardez votre équilibre**

- à tout moment.** Vous contrôlerez mieux l'outil dans des situations inattendues.
- f. **Portez des vêtements appropriés. Ne portez pas de vêtements flottants ou de bijoux. N'approchez pas les cheveux, vêtements ou gants des parties des pièces mobiles.** Les vêtements amples, les bijoux ou les cheveux longs peuvent être attrapés dans les pièces en mouvement.
- g. **Si des dispositifs servant à aspirer ou à recueillir les poussières doivent être utilisés, vérifiez qu'ils sont correctement raccordés et utilisés.** Le fait d'aspirer la poussière permet de réduire les risques inhérents à la poussière.
4. **Utilisation des outils électroportatifs et précautions**
- a. **Ne surchargez pas l'outil. Utilisez l'outil électroportatif approprié pour le travail à effectuer.** Avec l'outil électroportatif approprié, vous travaillerez mieux et avec plus de sécurité à la vitesse pour laquelle il a été conçu.
- b. **N'utilisez pas un outil électroportatif dont l'interrupteur est défectueux.** Un outil électroportatif qui ne peut plus être mis en ou hors fonctionnement est dangereux et doit être réparé.
- c. **Déconnectez la prise de la source d'alimentation ou le pack-batterie de l'outil électrique avant tout réglage, changement d'accessoire voire rangement des outils électriques.** Cette mesure de précaution empêche une mise en marche par mégarde.
- d. **Rangez les outils électroportatifs hors de portée des enfants. Ne laissez pas les personnes n'étant pas familiarisées avec l'outil ou n'ayant pas lu ces instructions l'utiliser.** Les outils électroportatifs sont dangereux lorsqu'ils sont utilisés par des personnes non initiées.
- e. **Prenez soin des outils électroportatifs. Vérifiez que les parties en mouvement fonctionnent correctement et qu'elles ne sont pas coincées ; vérifiez qu'il n'y a pas de pièces cassées ou endommagées susceptibles de nuire au bon fonctionnement de l'outil. S'il est endommagé, faites réparer l'outil avant de l'utiliser.** De nombreux accidents sont dus à des outils électroportatifs mal entretenus.
- f. **Maintenez les outils de coupe aiguisés et propres.** Des outils soigneusement entretenus avec des bords tranchants bien aiguisés se coincent moins souvent et peuvent être guidés plus facilement.
- g. **Utilisez l'outil électrique, les accessoires et forets, etc. conformément à ces instructions, en tenant compte des conditions de travail et des tâches à effectuer.** L'utilisation des outils électroportatifs à d'autres fins que celles prévues peut entraîner des situations dangereuses.
5. **Utilisation des outils à batterie et précautions**
- a. **Rechargez la batterie uniquement avec le chargeur spécifié par le fabricant.** Un chargeur prévu pour un type de batterie présente un risque d'incendie s'il est utilisé avec un autre type de batterie.
- b. **Utilisez les outils électroportatifs uniquement avec les batteries spécifiquement conçues pour eux.** L'utilisation d'autres batteries peut comporter un risque de blessures ou d'incendie.
- c. **Quand vous ne l'utilisez pas, rangez la batterie loin d'autres objets métalliques tels que trombones, pièces, clous, vis ou autres pouvant créer une connexion entre deux bornes.** Court-circuiter les bornes du pack-batteries peut provoquer des brûlures ou un incendie.
- d. **Dans des conditions inappropriées, la batterie peut rejeter du liquide. Évitez le contact. Si un contact accidentel se produit, rincez à l'eau. Si le liquide touche les yeux, consultez un médecin.** Le liquide rejeté par la pile peut causer une irritation cutanée ou des brûlures.
6. **Réparations**
- a. **Faites réparer votre outil électroportatif uniquement par du personnel qualifié et seulement avec des pièces de rechange d'origine.** Cela garantira le maintien de la sécurité de votre outil.
- Avertissements de sécurité supplémentaires pour les outils électriques**
-  **Attention !** Avertissements de sécurité supplémentaires pour les perceuses et perceuses à percussion
- ◆ **Portez une protection auditive avec les perceuses à percussion.** L'exposition au bruit peut causer des pertes de l'audition.
 - ◆ **Utilisez les poignées additionnelles fournies avec l'outil.** Une perte de contrôle peut provoquer des blessures.
 - ◆ **Tenez l'outil uniquement par les surfaces isolées des poignées si l'opération effectuée**

peut mettre la lame en contact avec des câbles électriques cachés ou son propre cordon électrique. Le contact de l'accessoire de coupe avec un câble sous tension met les parties métalliques de l'outil sous tension et peut provoquer une électrocution de l'utilisateur.

- ◆ Utilisez des fixations ou tout autre moyen pratique pour fixer et soutenir la pièce à ouvrir sur une plate-forme stable. Si vous tenez la pièce à la main ou contre votre corps, elle est instable et vous pouvez en perdre le contrôle.
- ◆ Avant de percer les murs, les planchers ou les plafonds, vérifiez l'emplacement des fils électriques et des tuyaux.
- ◆ Evitez de toucher l'extrémité d'un foret juste après avoir percé car il peut être chaud.
- ◆ Cet outil n'est pas destiné à être utilisé par des personnes (notamment des enfants) présentant des capacités physiques, sensorielles ou mentales limitées voire dépourvues de connaissance et d'expérience, sauf si elles sont supervisées ou ont reçu des instructions pour l'usage de l'appareil par une personne responsable de leur sécurité. Les enfants ne doivent pas jouer avec l'appareil.
- ◆ Le domaine d'utilisation de l'outil est décrit dans le présent manuel. L'utilisation d'accessoires ou la réalisation d'opérations avec cet outil autres que ceux recommandés dans le présent manuel peut entraîner un risque de blessure ou de dégâts.

Instructions de sécurité supplémentaires pour les batteries et chargeurs

Batteries

- ◆ Ne tentez jamais d'ouvrir pour quelque raison que ce soit.
- ◆ N'exposez pas la batterie à l'humidité.
- ◆ Ne stockez pas dans des endroits où la température peut dépasser 40 °C.
- ◆ Chargez uniquement à température ambiante, entre 10 °C et 40 °C.
- ◆ Chargez uniquement en utilisant le chargeur fourni avec l'outil.
- ◆ Lorsque vous jetez des batteries, suivez les instructions données à la section « Protection de l'environnement ».



Ne chargez pas une batterie endommagée.

Chargeurs

- ◆ Utilisez uniquement votre chargeur Black & Decker pour charger les batteries fournies avec

votre outil ou de même type et modèle. D'autres batteries pourraient exploser et causer des dommages ou blessures.

- ◆ Ne tentez jamais de charger des batteries non rechargeables.
- ◆ Remplacez immédiatement les fils électriques défectueux.
- ◆ Ne mettez pas le chargeur en contact avec de l'eau.
- ◆ N'ouvrez pas le chargeur.
- ◆ Ne testez pas le chargeur.



Le chargeur a été conçu pour être utilisé uniquement à l'intérieur.



Lisez le manuel d'instruction avant utilisation.



Le chargeur s'arrête automatiquement si la température ambiante est trop élevée. Le rupteur thermique ne fonctionne qu'une fois. Ensuite, il doit être intégralement remplacé.

Vibration

Les valeurs des émissions de vibrations mentionnées dans les données techniques et la déclaration de conformité ont été mesurées conformément à la méthode de test normalisée indiquée par EN 60745 et permettent les comparaisons entre outils. Les valeurs des émissions de vibrations peuvent également servir à une évaluation préliminaire de l'exposition.

Attention ! Les valeurs des émissions de vibrations en utilisant réellement l'outil peuvent différer des valeurs déclarées en fonction du mode d'usage de l'outil. Le niveau de vibration peut dépasser le niveau indiqué.

Pour évaluer l'exposition aux vibrations afin de déterminer les mesures de sécurité imposées par 2002/44/CE pour protéger les personnes utilisant régulièrement des outils électriques, une estimation de l'exposition aux vibrations devrait prendre en compte les conditions réelles et le mode d'utilisation de l'outil, notamment l'ensemble du cycle de fonctionnement ainsi l'arrêt de l'outil et son fonctionnement au ralenti, outre le démarrage.

Étiquettes apposées sur l'outil

Les pictogrammes suivants sont présents sur l'outil:



Attention ! Afin de réduire les risques de blessures, l'utilisateur doit lire le manuel d'instructions.

Sécurité électrique



Votre chargeur est doublement isolé ; par conséquent, aucun câble de masse n'est nécessaire. Vérifiez toujours que la tension du secteur correspond à la tension indiquée sur la plaque d'identification. Ne tentez jamais de remplacer le chargeur par une prise au secteur normale.

- ◆ Si le câble d'alimentation est endommagé, il doit être remplacé par le fabricant ou par un centre de réparation agréé Black & Decker afin d'éviter tout accident.

Caractéristiques

Cet outil comprend toutes ou certaines des caractéristiques suivantes.

1. Bouton de commande de vitesse variable ou bouton marche/arrêt à deux vitesses.
2. Sélecteur de rotation droite / gauche
3. Sélecteur de mode / bague de réglage du couple
4. Mandrin
5. Batterie
6. Bouton de déverrouillage de la batterie

Fig. C & D

7. Chargeur
8. Boîtier du chargeur
9. Connecteur pour chargeur
10. Prise de chargeur

Assemblage

Attention ! Avant l'assemblage, enlevez la batterie.

Installation et retrait de la batterie (fig. A)

- ◆ Pour mettre la batterie en place (5), alignez-la avec le boîtier sur l'outil. Faites glisser la batterie dans le boîtier et poussez jusqu'à ce qu'elle se mette en place avec un bruit sec.
- ◆ Pour retirer la batterie, appuyez sur le bouton de déverrouillage (6) tout en retirant la batterie du boîtier.

Montage du cache de batterie (fig. B)

Attention ! Installez le cache (11) sur la batterie (5) pour la transporter et la ranger.

Installation et retrait d'un foret de perçage ou de vissage (fig. E)

Attention ! Retirez d'abord la batterie de l'outil.

Cet outil est équipé d'un mandrin sans clef pour vous permettre de changer les accessoires plus rapidement.

- ◆ Verrouillez l'outil en réglant le sélecteur de rotation droite / gauche (2) sur la position centrale.

- ◆ Ouvrez le mandrin en faisant tourner la partie avant (12) d'une main tout en tenant la partie arrière (13) de l'autre main.
- ◆ Insérez la tige du foret (14) dans le mandrin.
- ◆ Serrez fermement le mandrin en tournant la partie avant (12) avec une main tout en tenant la partie arrière (13) avec l'autre.

Démontage et remontage du mandrin (fig. F)

- ◆ Ouvrez le mandrin jusqu'à son ouverture maximum.
- ◆ Enlevez la vis de serrage du mandrin en la faisant tourner dans le sens des aiguilles d'une montre à l'aide d'un tournevis.
- ◆ Placez une clé Allen (15) dans le mandrin et enfoncez-la avec un marteau comme indiqué.
- ◆ Enlevez la clé Allen.
- ◆ Enlevez le mandrin en le faisant tourner dans le sens anti-horaire.
- ◆ Pour replacer le mandrin, vissez-le sur l'arbre et serrez-le avec la vis de serrage.

Risques résiduels.

L'utilisation d'un outil non mentionné dans les consignes de sécurité données peut entraîner des risques résiduels supplémentaires. Ces risques peuvent survenir si l'outil est mal utilisé, si l'utilisation est prolongée, etc.

Malgré l'application des normes de sécurité correspondantes et la présence de dispositifs de sécurité, les risques résiduels suivants ne peuvent être évités. Ceci comprend :

- ◆ **Les blessures dues au contact avec une pièce mobile/en rotation.**
- ◆ **Les blessures causées en changeant des pièces, lames ou accessoires.**
- ◆ **Les blessures dues à l'utilisation prolongée d'un outil. Une utilisation prolongée de l'outil nécessite des pauses régulières.**
- ◆ **Déficience auditive.**
- ◆ **Risques pour la santé causés par l'inhalation de poussières produites pendant l'utilisation de l'outil (exemple : travail avec du bois, surtout le chêne, le hêtre et les panneaux en MDF).**

Utilisation

Attention ! Laissez l'outil fonctionner à sa propre vitesse. Ne le surchargez pas.

Chargement de la batterie

La batterie a besoin d'être chargée avant la première utilisation et à chaque fois qu'elle ne produit pas une puissance suffisante pour des travaux

facilement effectués auparavant. Lorsque vous chargez la batterie pour la première fois ou suite à une inutilisation prolongée, le chargement ne se fera qu'à 80%. Après plusieurs cycles de chargement et de déchargement, la batterie atteindra sa capacité totale. La batterie peut chauffer pendant le chargement ; cela est normal et n'indique pas de problème particulier.

Attention ! Ne chargez pas la batterie à une température ambiante inférieure à 10 °C ou supérieure à 40 °C. Température de chargement recommandée: environ 24 °C.

Chargeur avec boîtier de chargeur (fig. C)

- ◆ Pour charger la batterie (5), retirez-la de l'outil et glissez le réceptacle du chargeur (8) sur la batterie.

- ◆ Branchez le chargeur (7).

Après une utilisation normale, la batterie doit être mise en charge pendant environ 3 heures pour pouvoir être utilisée dans la plupart des applications. Toutefois, un temps de charge de 6 heures peut accroître considérablement la durée d'utilisation, en fonction de la batterie et des conditions de charge.

- ◆ Enlevez-la du chargeur.

Chargeur avec prise de chargeur (fig. D)

- ◆ Pour charger la batterie, assurez-vous qu'elle est bien installée sur l'outil.

- ◆ Insérez la prise de chargeur (10) dans le connecteur (9).

- ◆ Branchez le chargeur (7).

Après une utilisation normale, la batterie doit être mise en charge pendant environ 3 heures pour pouvoir être utilisée dans la plupart des applications. Toutefois, un temps de charge de 6 heures peut accroître considérablement la durée d'utilisation, en fonction de la batterie et des conditions de charge.

- ◆ Débranchez l'outil du chargeur.

Attention ! Veillez à ne pas utiliser l'outil lorsqu'il est branché au chargeur.

Sélection du sens de rotation

Pour le perçage et le serrage des vis, utilisez la rotation vers l'avant (dans le sens horaire). Pour desserrer les vis ou enlever un foret de perçage coincé, utilisez la rotation vers l'arrière (dans le sens anti-horaire).

- ◆ Pour sélectionner la rotation vers l'avant, poussez le sélecteur de rotation droite / gauche (2) vers la gauche.

- ◆ Pour sélectionner la rotation vers l'arrière, poussez le sélecteur de rotation droite / gauche vers la droite.

- ◆ Pour verrouiller l'outil, réglez le sélecteur de rotation droite / gauche sur la position centrale.

Sélection du mode de fonctionnement ou serrage (fig.G)

Cet outil est muni d'une bague servant à régler le mode de fonctionnement et le couple de serrage des vis. Les grosses vis et les matières d'oeuvre rigides nécessitent un couple de serrage plus grand que les petites vis et les matières d'oeuvre peu rigides. La bague possède une large gamme de réglages de manière à pouvoir répondre à vos besoins.

- ◆ Pour le perçage du bois, du métal et du plastique, placez la bague (3) sur la position de perçage en alignant le symbole 1 avec la marque (16).

- ◆ Pour le vissage, réglez la bague à la position désirée. Si vous ne connaissez pas encore le bon réglage, procédez comme suit :

- Placez la bague (3) au réglage de couple le plus bas.

- Serrez la première vis.

- Si l'embrayage fait « clic » avant d'avoir obtenu le résultat désiré, augmentez le réglage de la bague et continuez à serrer la vis. Répétez jusqu'à obtenir le bon réglage. Utilisez ce réglage pour les vis restantes.

Démarrage et arrêt

Interrupteur à variateur de vitesse

- ◆ Pour allumer l'outil, appuyez sur l'interrupteur de vitesse variable (1). La vitesse de l'outil dépend de la force que vous exercez sur l'interrupteur.

- ◆ Pour éteindre l'outil, relâchez le sélecteur de vitesse.

Conseils pour une utilisation optimale

Perçage

- ◆ Appliquez toujours une pression légère et rectiligne avec le foret de perçage.

- ◆ Juste avant que le foret de perçage ne passe de l'autre côté de la pièce, diminuez la pression sur l'outil.

- ◆ Utilisez un bloc de bois pour protéger les pièces pouvant se briser.

- ◆ Utilisez des mèches à bois lorsque vous percez des trous d'un large diamètre dans du bois.

- ◆ Utilisez des forets de perçage HSS lorsque vous percez du métal.

- ◆ Utilisez des forets de maçonnerie lorsque vous percez des pièces de maçonnerie légères.

- ◆ Utilisez un lubrifiant lorsque vous percez des métaux autres que la fonte et le laiton.

- ◆ Faites une entaille à l'aide d'une contrepointe de centrage au centre de l'orifice à percer afin d'améliorer la précision

Vissage

- ◆ Utilisez toujours le bon type et la bonne taille d'embout de tournevis.
- ◆ Si les vis sont difficiles à serrer, essayez d'appliquer un petit peu de liquide vaisselle ou de savon comme lubrifiant.
- ◆ Tenez toujours l'outil et l'embout de tournevis en ligne droite par rapport à la vis.

Entretien

Votre outil Black & Decker a été conçu pour fonctionner pendant longtemps avec un minimum d'entretien. Un fonctionnement continu satisfaisant dépend d'un nettoyage régulier et d'un entretien approprié de l'outil.

Votre chargeur ne nécessite aucun entretien autre qu'un nettoyage régulier.

Attention ! Avant de procéder à tout entretien de l'outil, retirez la batterie. Débranchez le chargeur avant de le nettoyer.

- ◆ Nettoyez régulièrement les orifices de ventilation de votre outil et le chargeur à l'aide d'une brosse douce ou d'un chiffon sec.
- ◆ Nettoyez régulièrement le carter du moteur à l'aide d'un chiffon humide. N'utilisez pas de produit abrasif ou à base de solvant.
- ◆ Ouvrez régulièrement le mandrin et tapotez dessus pour retirer toute poussière à l'intérieur.

Protection de l'environnement



Collecte séparée. Ce produit ne doit pas être jeté avec les déchets domestiques normaux.

Si vous décidez de remplacer ce produit Black & Decker, ou si vous n'en avez plus l'utilité, ne le jetez pas avec vos déchets domestiques. Rendez-le disponible pour une collecte séparée.



La collecte séparée des produits et emballages usés permet le recyclage des articles afin de les utiliser à nouveau. Le fait d'utiliser à nouveau des produits recyclés permet d'éviter la pollution environnementale et de réduire la demande de matières premières.

Les réglementations locales peuvent permettre la collecte séparée des produits électriques du foyer, dans des déchetteries municipales ou auprès du revendeur vous ayant vendu votre nouveau produit.

Black & Decker fournit un dispositif permettant de collecter et de recycler les produits Black & Decker lorsqu'ils ont atteint la fin de leur cycle de vie. Pour pouvoir profiter de ce service, veuillez retourner votre produit à un réparateur agréé qui se chargera de le collecter pour nous.

Pour connaître l'adresse du réparateur agréé le plus proche de chez vous, contactez le bureau Black & Decker à l'adresse indiquée dans ce manuel. Vous pourrez aussi trouver une liste des réparateurs agréés de Black & Decker et de plus amples détails sur notre service après-vente sur le site Internet à l'adresse suivante : www.2helpU.com

Packs-batteries



Les batteries Black & Decker peuvent être rechargées de nombreuses fois. A la fin de leur durée de vie technique, jetez les batteries en respectant l'environnement :

- ◆ Videz complètement la batterie, puis retirez-la de l'outil.
- ◆ Les batteries NiCd, NiMH et Li-Ion sont recyclables. Apportez-les à votre réparateur agréé ou à un centre de recyclage local.

Caractéristiques techniques

		EPC12(H1)	EPC14(H1)
Voltage	V _{DC}	12	14,4
Vitesse à vide	min ⁻¹	0-750	0-750
Couple max.	Nm	11	12,1
Capacité du mandrin	mm	10	10
Capacité max. de perçage			
Acier	mm	10	10
Bois	mm	25	25

Batterie	A12E	A14E
Ampérage	Ah 1,2	1,2
Type de batterie	NiCd	NiCd
Poids	kg 0,58	0,68

Batterie	A12NH	A14NH
Ampérage	Ah 1,5	1,5
Type	NiMH	NiMH
Poids	kg 0,6	0,7

Chargeur		
		90500843 90500844
		90500847 90500848
		90500855 90500856
		90500858 90500859
Tension secteur	V _{AC}	230-240 230-240
Tension de sortie	V _{DC}	14,5-15,3 17,4-18,2
Ampérage	mA	210-220 200-210
Temps de chargement approx	h	8-10 8-10

		EPC18 (H1)	EPC96 (H1)
Voltage	V_{DC}	18	9,6
Vitesse à vide	min^{-1}	0-750	0-750
Couple max.	Nm	12,1	10,4
Capacité du mandrin	mm	10	10
Capacité max. de perçage			
Acier	mm	10	10
Bois	mm	25	25

Batterie		A18E	B96
Ampérage	Ah	1,2	1,2
Type de batterie		NiCd	NiCd
Poids	kg	0,82	0,42

Batterie		A18NH
Ampérage	Ah	1,5
Type de batterie		NiMH
Poids	kg	0,9

Chargeur			
		90500845	90500842
		90500849	90500846
		90500857	90500850
		90500860	90500854
Tension secteur	V_{AC}	230-240	230-240
Tension de sortie	V_{DC}	21,75-22,6	11,6-12,2
Ampérage	mA	210-230	210-220
Temps de chargement approx	h	8-10	8-10

Niveau de la pression sonore selon la norme EN 60745 :

Pression acoustique (L_{pA}) 73 dB(A), incertitude (K) 3 dB(A), Puissance acoustique (L_{WA}) 84 dB(A), incertitude (K) 3 dB(A)

Valeurs totales de vibration (somme vectorielle triax) selon EN 60745 :

Perçage dans le métal ($a_{h,D}$) < 2,5 m/s², incertitude (K) 1,5 m/s², Vissage sans percussion ($a_{h,S}$) < 2,5 m/s², incertitude (K) 1,5 m/s²

Déclaration de conformité CE

DIRECTIVE MACHINES



EPC12/EPC14/EPC18/EPC96

Black & Decker déclare que ces produits décrits sous les „caractéristiques techniques“ sont conformes avec : 2006/42/CE, EN60745-1, EN60745-2-1

Pour en savoir plus, veuillez contacter Black & Decker à l'adresse suivante ou consultez le dos du manuel.

Le soussigné est responsable de la compilation du fichier technique et effectue cette déclaration au nom de Black & Decker.

Kevin Hewitt
Vice-président Ingénierie globale
Black & Decker Europe,
210 Bath Road, Slough,
Berkshire, SL1 3YD
Royaume Uni
18/05/2010

Garantie

Black & Decker est confiant dans la qualité de ses produits et vous offre une garantie très étendue. Ce certificat de garantie est un document supplémentaire et ne peut en aucun cas se substituer à vos droits légaux. La garantie est valable sur tout le territoire des Etats Membres de l'Union Européenne et de la Zone de Libre Echange Européenne.

Si un produit Black & Decker s'avère défectueux en raison de matériaux en mauvaises conditions, d'une erreur humaine, ou d'un manque de conformité dans les 24 mois suivant la date d'achat, Black & Decker garantit le remplacement des pièces défectueuses, la réparation des produits usés ou cassés ou remplace ces produits à la convenance du client, sauf dans les circonstances suivantes :

- ♦ Le produit a été utilisé dans un but commercial, professionnel, ou a été loué.
- ♦ Le produit a été mal utilisé ou avec négligence.
- ♦ Le produit a subi des dommages à cause d'objets étrangers, de substances ou à cause d'accidents.
- ♦ Des réparations ont été tentées par des techniciens ne faisant pas partie du service technique de Black & Decker.

Pour avoir recours à la garantie, il est nécessaire de fournir une preuve d'achat au vendeur ou à un réparateur agréé. Pour connaître l'adresse du réparateur agréé le plus proche de chez vous, contactez le bureau Black & Decker à l'adresse indiquée dans ce manuel. Vous pourrez aussi trouver une liste des réparateurs agréés de Black & Decker et de plus amples détails sur notre service après-vente sur le site Internet à l'adresse suivante : www.2helpU.com

Visitez notre site Web

www.blackanddecker.fr pour enregistrer votre nouveau produit Black & Decker et être informé des nouveaux produits et des offres spéciales. Pour plus d'informations concernant la marque Black & Decker et notre gamme de produits, consultez notre site www.blackanddecker.fr

Použití výrobku

Váš akumulátorový šroubovák/vrtáčka Black & Decker je určen ke šroubování a vrtání do dřeva, kovů a plastů. Tento výrobek je určen pouze pro spotřebitelské použití.

Bezpečnostní pokyny

Všeobecné bezpečnostní pokyny pro práci s elektrickým nářadím



Varování! Pozorně si přečtěte veškerá bezpečnostní varování a pokyny. Nedodržení níže uvedených pokynů může mít za následek úraz elektrickým proudem, vznik požáru anebo vážné poranění.

Veškerá bezpečnostní varování a pokyny uschovejte pro případné další použití. Označení „výkonné nářadí“ ve všech níže uvedených upozorněních odkazuje na vaše nářadí napájené ze sítě (obsahuje napájecí přívodní šňůru) nebo nářadí napájené z akumulátoru (bez napájecího kabelu).

1. Bezpečnost v pracovním prostoru

- a. **Udržujte pracovní prostor v čistotě a dobře osvětlený.** Nepořádek na pracovním stole a nedostatek světla v jeho okolí může vést ke způsobení nehody.
- b. **S elektrickým nářadím nepracujte ve výbušných prostorách, jako jsou například prostory s výskytem hořlavých kapalin, plynů nebo prašných látek.** Nářadí je zdrojem jiskření, které může zapálit prach nebo výpary.
- c. **Při práci s výkonným nářadím držte děti a okolní osoby z jeho dosahu.** Odvrácení pozornosti může vést ke ztrátě kontroly nad nářadím.

2. Elektrická bezpečnost

- a. **Zástrčka napájecího kabelu nářadí musí odpovídat zásuvce. Zástrčku nikdy žádným způsobem neupravujte. U nářadí chráněného zemněním nepoužívejte jakékoliv redukce zástrček.** Neupravené zástrčky a odpovídající zásuvky snižují riziko vzniku úrazu elektrickým proudem.
- b. **Vyvarujte se dotyku s uzemněnými plochami jako jsou potrubí, radiátory, sporáky a ledničky.** Dojde-li k Vašemu uzemnění, hrozí zvýšené riziko úrazu elektrickým proudem.
- c. **Nevystavujte elektrické nářadí dešti nebo vlhkému prostředí.** Pokud do nářadí vnikne voda, zvýší se riziko úrazu elektrickým proudem.
- d. **S napájecím kabelem zacházejte opatrně. Nikdy nepoužívejte napájecí kabel k přenášení**

nářadí, jeho posouvání nebo za něj netahejte při odpojování nářadí od elektrické sítě. Zabraňte kontaktu kabelu s mastnými, horkými a ostrými předměty a pohyblivými částmi nářadí. Poškozený nebo zapletený napájecí kabel zvyšuje riziko vzniku úrazu elektrickým proudem.

- e. **Při práci s nářadím venku použijte prodlužovací kabely určené pro venkovní použití.** Volba kabelu určeného k venkovnímu použití snižuje riziko úrazu elektrickým proudem.
 - f. **Při práci s elektrickým nářadím ve vlhkém prostředí je nezbytné nutné použít v napájecím okruhu proudový chránič (RCD).** Použití proudového chrániče RCD snižuje riziko úrazu elektrickým proudem.
- ### 3. Bezpečnost osob
- a. **Zůstaňte stále pozorní, sledujte, co provádíte a při práci s elektrickým nářadím přemýšlejte. Nepoužívejte elektrické nářadí, jste-li unaveni nebo jste-li pod vlivem drog, alkoholu nebo léků.** Chvilka nepozornosti při práci s nářadím může vést k vážnému úrazu.
 - b. **Používejte prvky osobní ochrany. Vždy používejte prostředky k ochraně zraku.** Ochranné prostředky jako jsou respirátor, neklouzavá pracovní obuv, pokrývka hlavy a chrániče sluchu snižují riziko poranění osob.
 - c. **Zabraňte náhodnému spuštění. Před připojením ke zdroji napětí nebo před vložením akumulátoru, zvednutím nebo přenášením nářadí zkontrolujte, zda je hlavní spínač vypnutý.** Přenášení nářadí s prstem na hlavním spínači nebo připojení napájecího kabelu k elektrické síti, je-li hlavní spínač nářadí v poloze zapnuto, může způsobit úraz.
 - d. **Před spuštěním nářadí se vždy ujistěte, zda nejsou v jeho blízkosti klíče nebo seřizovací přípravky.** Ponechané seřizovací klíče mohou být zachyceny rotujícími částmi nářadí a mohou tak způsobit úraz.
 - e. **Nepřekázejte sami sobě. Při práci vždy udržujte vhodný a pevný postoj.** To umožňuje lepší ovladatelnost nářadí v neočekávaných situacích.
 - f. **Vhodně se oblékejte. Nenoste volný oděv nebo šperky. Dbejte na to, aby se vaše vlasy, oděv nebo rukavice nedostaly do nebezpečné blízkosti pohyblivých částí.** Volný oděv, šperky nebo dlouhé vlasy mohou být pohyblivými díly zachyceny.
 - g. **Pokud je zařízení vybaveno adapterem pro připojení zařízení k zachytávání prachu, zajistěte jeho správné připojení a řádnou**

funkci. Použití těchto zařízení může snížit nebezpečí týkající se prachu.

4. Použití elektrického nářadí a jeho údržba

- a. **Nářadí nepřetěžujte. Používejte správný typ nářadí pro Vaši práci.** Při použití správného typu nářadí bude práce provedena lépe a bezpečněji.
- b. **Pokud nelze hlavní vypínač nářadí zapnout a vypnout, s nářadím nepracujte.** Jakékoliv nářadí s nefunkčním hlavním vypínačem je nebezpečné a musí být opraveno.
- c. **Před výměnou jakýchkoliv částí, příslušenství či jiných připojených součástí, před prováděním servisu nebo pokud nářadí nepoužíváte, odpojte je od elektrické sítě a/ nebo vyjměte akumulátor.** Taková preventivní bezpečnostní opatření snižují riziko náhodného spuštění nářadí.
- d. **Pokud nářadí nepoužíváte, uložte je mimo dosah dětí a zabraňte osobám neobeznámených s obsluhou nářadí nebo s tímto návodem, aby s nářadím pracovaly.** Elektrické nářadí je v rukou nekvalifikované obsluhy nebezpečné.
- e. **Údržba nářadí. Zkontrolujte vychýlení či zaseknutí pohyblivých částí, poškození jednotlivých dílů a jiné okolnosti, jež mohou mít vliv na chod nářadí. Pokud je nářadí poškozeno, nechte je před použitím opravit.** Mnoho nehod bývá způsobeno zanedbanou údržbou nářadí.
- f. **Řezné nástroje udržujte ostré a čisté.** Řádně udržované řezné nástroje s ostrými řeznými břity jsou méně náchylné k zanášení nečistotami a lépe se s nimi manipuluje.
- g. **Nářadí, příslušenství a držáky nástrojů používejte podle těchto pokynů a způsobem určeným daným typem nářadí, berte v úvahu provozní podmínky a práci, kterou je nutné vykonat.** Použití nářadí jiným způsobem a k jiným než doporučeným účelům může vést ke vzniku nebezpečných situací.

5. Použití akumulátorového nářadí a jeho údržba

- a. **Nabíjejte pouze v nabíječce určené výrobcem.** Nabíječka vhodná pro jeden typ akumulátoru může při vložení jiného nevhodného akumulátoru způsobit požár.
- b. **Používejte výhradně akumulátory určené pro daný typ nářadí.** Použití jiných typů akumulátorů může způsobit požár nebo zranění.
- c. **Pokud akumulátor nepoužíváte, držte jej z dosahu kovových předmětů jako jsou**

kancelářské sponky na papír, mince, klíče, hřebíky, šroubky nebo další drobné kovové předměty, které mohou způsobit zkratování obou jeho svorek. Zkratováním kontaktů akumulátoru může dojít ke vzniku požáru a popálen.

- d. **Při nesprávném skladování může z akumulátoru unikat kapalina; vyvarujte se kontaktu s touto kapalinou. Pokud se kapalinou náhodně potřísníte, zasažené místo omyjte vodou. Při zasažení očí zasažené místo omyjte a vyhledejte lékařskou pomoc.** Unikající kapalina z akumulátoru může způsobit podráždění pokožky nebo popáleniny.

6. Opravy

- a. **Opravy elektrického nářadí svěřte kvalifikovanému technikovi, jež používá shodné náhradní díly.** Tak zajistíte bezpečný chod nářadí.

Doplňkové bezpečnostní pokyny pro práci s elektrickým nářadím



Varování! Doplnkové bezpečnostní pokyny pro vrtačky a vrtačky s přiklepem

- ♦ **Při vrtání s přiklepem používejte ochranu sluchu.** Nadměrná hlučnost může způsobit ztrátu sluchu.
- ♦ **Používejte přídavné rukojeti dodávané s nářadím.** Ztráta kontroly nad nářadím může vést k úrazu.
- ♦ **Při pracovních operacích, u kterých by mohlo dojít ke kontaktu pracovního nástroje se skrytými elektrickými vodiči, držte elektrické nářadí vždy za izolované rukojeti.** Při kontaktu pracovního nástroje s „živým“ vodičem způsobí neizolované kovové části nářadí obsluze úraz elektrickým proudem
- ♦ **Při pracovních operacích, u kterých by mohlo dojít ke kontaktu montážního prvku se skrytými elektrickými vodiči, držte elektrické nářadí vždy za izolované rukojeti.** Montážní prvky, které se dostanou do kontaktu s „živým“ vodičem, způsobí, že neizolované kovové části elektrického nářadí budou také „živé“, což může obsluze způsobit úraz elektrickým proudem.
- ♦ **Obrobek si k pevné podložce upněte pomocí svorek či jiným vhodným způsobem.** Držení obrobku rukou nebo jeho přitisknutí k tělu způsobí, že uchycení bude nestabilní a může vést ke ztrátě kontroly nad nářadím.
- ♦ **Před vrtáním do zdí, podlah nebo stropů zjistěte polohu skrytých elektrických vedení a trubek.**

- ◆ Nedotýkejte se vrtáku bezprostředně po vrtání, může být horký.
- ◆ Tento přístroj není určen k použití osobami (včetně dětí) se sníženými fyzickými, smyslovými nebo duševními schopnostmi, nebo nedostatkem zkušeností a znalostí, pokud těmto osobám nebyl stanoven dohled, nebo pokud jim nebyly poskytnuty instrukce týkající se použití přístroje osobou zodpovědnou za jejich bezpečnost. Děti by měly být pod dozorem, aby si se zařízením nehrály.
- ◆ V tomto návodu je popsáno správné použití nářadí. Použití jakéhokoliv jiného příslušenství nebo přídatných zařízení, nebo jakéhokoliv jiného využití tohoto nářadí, než je popsáno v tomto návodu k obsluze, může představovat riziko zranění osob nebo způsobení hmotných škod.



Je-li okolní teplota příliš vysoká, nabíječka se automaticky vypne. Tepelná pojistka proti přetížení je účinná pouze jednou a potom musí být vyměněna.

Vibrace

Deklarovaná úroveň vibrací uvedená v technických údajích a v prohlášení o shodě byla měřena v souladu se standardní zkušební metodou předepsanou normou EN 60745 a může být použita ke srovnání jednotlivých nářadí mezi sebou. Deklarovaná úroveň vibrací může být také použita k předběžnému stanovení doby práce s tímto výrobkem.

Varování! Úroveň vibrací při aktuálním použití elektrického nářadí se může od deklarované úrovně vibrací lišit v závislosti na způsobu použití výrobku. Úroveň vibrací může být oproti uvedené hodnotě vyšší.

Při stanovení vystavení se vibracím k určení bezpečnostních opatření podle normy 2002/44/EC k ochraně osob pravidelně používajících elektrické nářadí v zaměstnání by měl předběžný odhad působení vibrací brát na zřetel aktuální podmínky použití nářadí s přihlédnutím na všechny části pracovního cyklu, jako doby, při které je nářadí vypnuto a kdy běží naprázdno.

Štítky na nářadí

Na nářadí se nacházejí následující piktogramy:



Varování! Ke snížení rizika vzniku úrazu musí být obsluha obeznámena s tímto návodem k obsluze.

Elektrická bezpečnost



Vaše nabíječka je chráněna dvojitou izolací; proto není nutné použití zemního vodiče. Vždy zkontrolujte, zda napájecí napětí v síti odpovídá napájecímu napětí na výrobním štítku nářadí. Nikdy se nepokoušejte nahradit nabíječku běžnou síťovou zásuvkou.

- ◆ Poškozený napájecí kabel musí být vyměněn výrobcem nebo zástupcem značkového servisu firmy Black & Decker.

Popis

Toto nářadí se skládá z několika nebo všech následujících částí.

1. Spínač s regulací otáček nebo dvojrychlostní spínač
2. Přepínač chodu vpřed / vzad
3. Volič režimu / objímka pro nastavení kroutícího momentu

Další bezpečnostní pokyny pro akumulátory a nabíječky

Akumulátory

- ◆ Nikdy se nepokoušejte akumulátory z žádného důvodu rozebírat.
- ◆ Nevystavujte akumulátor působení vody.
- ◆ Neskladujte akumulátory na místech, kde může teplota překročit 40°C.
- ◆ Dobíjejte pouze při okolní teplotě 10°C až 40°C.
- ◆ Provádějte nabíjení akumulátoru pouze v nabíječce, která byla dodána s tímto nářadím.
- ◆ Chcete-li akumulátor zlikvidovat, dodržujte pokyny uvedené v části „Ochrana životního prostředí“.



Nepokoušejte se nabíjet poškozený akumulátor.

Nabíječky

- ◆ Používejte nabíječku Black & Decker pouze pro nabíjení akumulátoru, který byl dodán s tímto nářadím. Ostatní typy akumulátorů mohou prasknout, způsobit poranění nebo jiné škody.
- ◆ Nikdy se nepokoušejte nabíjet standardní baterie.
- ◆ Poškozený napájecí kabel ihned vyměňte.
- ◆ Nevystavujte nabíječku působení vody.
- ◆ Nabíječku nikdy neotvírejte.
- ◆ Nepokoušejte se nabíječku rozebírat.



Nabíječka není určena pro venkovní použití.



Před použitím nářadí přečtěte pečlivě tento návod.

4. Sklíčidlo
5. Akumulátor
6. Tlačítko pro uvolnění akumulátoru

Obr. C & D

7. Nabíječka
8. Lůžko nabíječky
9. Přípojná zdírka nabíječky
10. Přípojný konektor nabíječky

Sestavení

Varování! Před montáží z nářadí vyjměte akumulátor.

Nasazení a sejmutí akumulátoru (obr. A)

- ♦ Chcete-li akumulátor (5) nasadit, srovnajte jej s místem jeho uložení na nářadí. Nasuňte akumulátor do jeho lůžka v nářadí a zatlačte na něj tak, aby došlo k jeho zajištění ve správné poloze.
- ♦ Chcete-li akumulátor z nářadí sejmout, stiskněte uvolňovací tlačítko (6) a současně akumulátor z lůžka na nářadí stáhněte.

Upevnění krytu kontaktů akumulátoru (obr. B)

Varování! Při přepravě a skladování upevněte na akumulátor (5) kryt (11).

Upevnění a vyjmutí nástroje (obr. E)

Varování! Nejprve vyjměte z nářadí akumulátor.

Nářadí je vybaveno rychloupínacím sklíčidlem, které usnadňuje výměnu nástrojů.

- ♦ Chcete-li nářadí zablokovat, nastavte spínač pro chod vpřed/vzad do středové polohy (2).
- ♦ Otevřete sklíčidlo tak, že jednou rukou budete otáčet přední částí (12), zatímco druhou rukou budete přidržovat zadní část (13).
- ♦ Násadu (14) zasuňte do sklíčidla.
- ♦ Pevně dotáhněte sklíčidlo otáčením jeho přední části (12) jednou rukou, zatímco druhou rukou přidržujte jeho zadní část (13).

Sejmutí a nasazení sklíčidla (obr. F)

- ♦ Čelisti sklíčidla rozevřete co nejvíce.
- ♦ Pomocí šroubováku otáčením ve směru chodu hodinových ručiček odstraňte přichytný šroub sklíčidla.
- ♦ Do sklíčidla upněte inbusový klíč (15) a udeřte do něj kladivem způsobem znázorněným na obrázku.
- ♦ Inbusový klíč vyjměte.
- ♦ Otáčením proti směru hodinových ručiček sklíčidlo vyšroubujte.
- ♦ Sklíčidlo nasadíte zpět tak, že jej našroubujete na hřídel a zajistíte přídržným šroubem.

Zbytková rizika.

Je-li nářadí používáno jiným způsobem, než je uvedeno v příložených bezpečnostních varováních, mohou se objevit dodatečná zbytková rizika. Tato rizika mohou vzniknout v důsledku nesprávného použití, dlouhodobého použití atd.

Přestože jsou dodržovány příslušné bezpečnostní předpisy a jsou používána bezpečnostní zařízení, určitá zbytková rizika nemohou být vyloučena. Tato rizika jsou následující:

- ♦ **Zranění způsobená kontaktem s jakoukoli rotující nebo pohybující se částí.**
- ♦ **Zranění způsobená při výměně dílů, pracovního nástroje nebo příslušenství.**
- ♦ **Zranění způsobená dlouhodobým použitím nářadí. Používáte-li jakékoli nářadí delší dobu, zajistěte, aby byly prováděny pravidelné přestávky.**
- ♦ **Poškození sluchu.**
- ♦ **Zdravotní rizika způsobená vdechováním prachu vytvářeného při použití nářadí (příklad: - práce se dřevem, zejména s dubovým, bukovým a MDF).**

Použití

Varování! Nechejte nářadí pracovat vlastním tempem. Zamezte přetěžování nářadí.

Nabíjení akumulátoru

Akumulátor je nutné nabít před prvním použitím a pokaždé, když jeho výkon poklesne a není možné provádět práce, jež lze provadět při plném nabití. Nabijíte-li akumulátor poprvé nebo po dlouhodobém uskladnění, dojde k jeho nabití zhruba na 80% celkové kapacity. Po provedení několika nabíjecích cyklů dosáhne akumulátor své plné kapacity. Při nabíjení dochází k zahřívání akumulátoru; jde o běžný jev, který neznamená žádnou závadu.

Varování! Nenabíjejte akumulátor při teplotách pod 10 °C nebo nad 40 °C. Doporučená teplota při nabíjení: přibližně 24 °C.

Nabíječka s lůžkem (obr. C)

- ♦ Akumulátor (5) nabijete tak, že jej vyjměte z nářadí a nasunete jej do lůžka nabíječky (8).
 - ♦ Připojte nabíječku (7) k síti.
- Po běžném použití poskytnete nabíjení po dobu 3 hodin dostatečný výkon pro většinu aplikací. Prodloužení doby nabíjení až na 6 hodin však významně prodlouží provozní dobu nářadí (ta však závisí též na stavu akumulátoru a podmínkách nabíjení).

- ♦ Vytáhněte akumulátor z nabíječky.

Nabíječka s nabíjecím konektorem (obr. D)

- ◆ Při nabíjení se ujistěte, zda je akumulátor připojen k nářadí.
- ◆ Konektor nabíječky (10) zasuňte do přípojné zdičky (9).
- ◆ Připojte nabíječku (7) k síti.
- ◆ Zapněte napěťový přívod.

Po běžném použití poskytnete nabíjení po dobu 3 hodin dostatečný výkon pro většinu aplikací. Prodloužení doby nabíjení až na 6 hodin však významně prodlouží provozní dobu nářadí (ta však závisí též na stavu akumulátoru a podmínkách nabíjení).

- ◆ Nářadí odpojte od nabíječky.

Varování! S nářadím nepracujte, pokud je připojeno k nabíječce.


Volba směru otáčení

Při vrtání a utahování šroubů nastavte chod směrem vpřed (otáčení po směru hodinových ručiček). Pro uvolňování šroubů a zaseklých vrtáků použijte zpětný chod (otáčení proti směru chodu hodinových ručiček).

- ◆ Chcete-li zvolit chod vpřed, zatlačte přepínač chodu vpřed / vzad (2) směrem doleva.
- ◆ Chcete-li zvolit zpětný chod, zatlačte přepínač chodu vpřed/vzad směrem doprava.
- ◆ Chcete-li nářadí zablokovat, přesuňte přepínač chodu vpřed / vzad do středové polohy.

Volba pracovního režimu nebo kroučícího momentu (obr. G)

Toto nářadí je vybaveno objímkou pro volbu pracovního režimu a nastavení kroučícího momentu při utahování šroubů. Šrouby velkých rozměrů a obrobky z tvrdých materiálů vyžadují nastavení většího kroučícího momentu. Objímka umožňuje široké rozpětí nastavení kroučících momentů podle Vašich potřeb.

- ◆ Pro vrtání do dřeva, kovu a plastů nastavte volič režimu / objímku nastavení kroučícího momentu (3) do dané polohy pro vrtání tak, že srovnáte symbol  se značkou (16).
- ◆ Při šroubování nastavte objímku do požadované polohy. Neznáte-li ještě vhodné nastavení, postupujte následovně:
 - Nastavte objímku (3) na nejmenší hodnotu kroučícího momentu.
 - Přitáhněte první šroub.
 - Začne-li spojka před dosažením požadovaného výsledku prokluzovat, zvětšete hodnotu kroučícího momentu nastavením objímky do další polohy a pokračujte v utahování šroubu. Opakujte tento postup, dokud nedosáhnete správného nastavení. Dotáhněte

ostatní šrouby při použití stejného nastavení kroučícího momentu.

Zapnutí a vypnutí

Přepínač rychlosti

- ◆ Nářadí zapnete stiskem spínače s regulací otáček (1). Otáčky nářadí závisí na intenzitě stisknutí tohoto spínače.
- ◆ Nářadí vypnete tak, že uvolníte stisk hlavního vypínače s regulací otáček.

Rady pro optimální použití nářadí

Vrtání

- ◆ Vytvíjejte na nářadí vždy mírný tlak ve směru shodném s osou vrtáku.
- ◆ Těsně před proniknutím špičky vrtáku druhou stranou povrchu obrobku zmenšete tlak vyvíjený na nářadí.
- ◆ Aby nedocházelo při průniku vrtáku k rozštěpení nebo tvorbě třísek na povrchu obrobku, podložte jej kouskem dřeva.
- ◆ Při vrtání otvorů o větším průměru do dřeva použijte speciální násady.
- ◆ Při vrtání do kovu používejte vrtáky s rychlořezné oceli (HSS).
- ◆ Při vrtání do zdiva použijte vidiové vrtáky.
- ◆ Nevrtáte-li do litiny nebo do mosazi, používejte při vrtání kovů mazivo.
- ◆ Pro zvýšení přesnosti si vždy uprostřed díry, kterou chcete vrtat, označte na obrobku pomocí průbojníku vodící otvor.

Šroubování

- ◆ Vždy používejte správný typ a velikost šroubovacího nástavce.
- ◆ Nejdou-li šrouby správně přitáhnout, použijte jako mazivo malé množství saponátu nebo mýdlového roztoku.
- ◆ Vždy držte nářadí se šroubovacím nástavcem v jedné ose se šroubem.

Údržba

Vaše nářadí Black & Decker bylo zkonstruováno tak, aby pracovalo co nejdéle s minimálními nároky na údržbu. Předpokladem jeho dlouhodobé bezproblémové funkce je jeho pravidelné čištění a pravidelná péče.

Vaše nabíječka nevyžaduje žádnou údržbu mimo pravidelné čištění.

Varování! Před prováděním jakékoliv údržby vyjměte z nářadí akumulátor. Před čištěním odpojte nabíječku vždy od sítě.

- ♦ Větrací otvory Vašeho nářadí pravidelně čistěte měkkým kartáčem nebo suchým hadříkem.
- ♦ Pravidelně čistěte kryt motoru vlhkým hadříkem. Nepoužívejte k čištění abrazivní prostředky ani rozpouštědla.
- ♦ Pravidelně otvírejte sklíčidlo a poklepáním odstraňte prach z vnitřní části nářadí.

Ochrana životního prostředí



Tříděný odpad. Toto zařízení nesmí být odhozeno do běžného domovního odpadu.

Jednoho dne zjistíte, že nářadí Black & Decker musíte vyměnit nebo jej nebudete dále používat. V tomto případě myslíte na ochranu životního prostředí a nevyhazujte přístroj do domácího odpadu. Odevzdejte výrobek do místní sběrný tříděného odpadu.



Tříděný odpad umožňuje recyklaci a opětovné využití použitých výrobků a obalových materiálů. Opětovné použití recyklovaných materiálů pomáhá chránit životní prostředí před znečištěním a snižuje spotřebu surovin.

Při zakoupení nových výrobků Vám prodejny, místní sběrný odpadů nebo recyklační stanice poskytnou informace o správné likvidaci elektro odpadů z domácnosti.

Black & Decker poskytuje službu odběru a recyklace výrobků Black & Decker po uplynutí doby jejich technické životnosti. Chcete-li získat výhody této služby, odevzdejte prosím Vaše nářadí jakémukoliv autorizovanému zástupci servisu Black & Decker, který nářadí odebere a zajistí jeho recyklaci.

Místo vaší nejbližší autorizované servisní pobočky Black & Decker se dozvíte na příslušné adrese uvedené na zadní straně této příručky. Přehled autorizovaných servisů Black & Decker a rovněž další informace týkající se našeho poprodejněho servisu můžete nalézt také na internetové adrese: www.2helpU.com

Akumulátory



Akumulátory Black & Decker mohou být mnohokrát nabíjeny. Po ukončení jejich životnosti je zlikvidujte tak, aby nedošlo k ohrožení životního prostředí:

- ♦ Nechejte nářadí v chodu, dokud nedojde k úplnému vybití akumulátoru a ten poté vyjměte z nářadí.

- ♦ Akumulátory Li-Ion, NiCd a NiMH lze recyklovat. Odevzdejte je kterémukoliv servisnímu středisku nebo do místní sběrný, kde budou recyklovány nebo zlikvidovány tak, aby nedošlo k ohrožení životního prostředí.

Technické údaje

		EPC12 (H1)	EPC14 (H1)
Napájecí napětí	V_{DC}	12	14,4
Otáčky naprázdno	min^{-1}	0-750	0-750
Max. moment	Nm	11	12,1
Maximální průměr sklíčidla	mm	10	10
Maximální průměr vrtáku			
Ocel	mm	10	10
Dřevo	mm	25	25

Baterie		A12E	A14E
Kapacita	Ah	1,2	1,2
Typ		NiCd	NiCd
Hmotnost	kg	0,58	0,68

Baterie		A12NH	A14NH
Kapacita	Ah	1,5	1,5
Typ		NiMH	NiMH
Hmotnost	kg	0,6	0,7

Nabíječka

		90500843	90500844
		90500847	90500848
		90500855	90500856
		90500858	90500859
Napájecí napětí	V_{AC}	230-240	230-240
Výstupní napětí	V_{DC}	14,5-15,3	17,4-18,2
Proud	mA	210-220	200-210
Přibližná doba nabíjení	hod	8-10	8-10

		EPC18 (H1)	EPC96 (H1)
Napájecí napětí	V_{DC}	18	9,6
Otáčky naprázdno	min^{-1}	0-750	0-750
Max. moment	Nm	12,1	10,4
Maximální průměr sklíčidla	mm	10	10
Maximální průměr vrtáku			
Ocel	mm	10	10
Dřevo	mm	25	25

Baterie		A18E	B96
Kapacita	Ah	1,2	1,2
Typ		NiCd	NiCd
Hmotnost	kg	0,82	0,42

Baterie		A18NH	
Kapacita	Ah	1,5	
Typ		NiMH	
Hmotnost	kg	0,9	

Nabíječka

		90500845	90500842
		90500849	90500846
		90500857	90500850
		90500860	90500854
Napájecí napětí	V _{AC}	230-240	230-240
Výstupní napětí	V _{DC}	21,75-22,6	11,6-12,2
Proud	mA	210-230	210-220
Přibližná doba nabíjení	hod	8-10	8-10

Hladina akustického tlaku podle normy EN 60745:

Akustický tlak (L_{PA}) 73 dB(A), odchylka (K) 3 dB(A),
Akustický výkon (L_{WA}) 84 dB(A), odchylka (K) 3 dB(A)

Celková úroveň vibrací (prostorový vektorový součet) podle normy EN 60745:

Vrtání do kovu (a_{n,D}) < 2,5 m/s², odchylka (K) 1,5 m/s²,
Šroubování bez rázů (a_{n,S}) < 2,5 m/s²,
odchylka (K) 1,5 m/s²

ES Prohlášení o shodě

SMĚRNICE PRO STROJNÍ ZAŘÍZENÍ



EPC12/EPC14/EPC18/EPC96

Společnost Black & Decker prohlašuje, že tyto produkty popisované v technických údajích splňují požadavky následujících norem: 2006/42/EC, EN60745-1, EN60745-2-1

Chcete-li získat další informace, kontaktujte prosím společnost Black & Decker na následující adrese nebo na adresách, které jsou uvedeny na konci tohoto návodu.

Níže podepsaná osoba je odpovědná za sestavení technických údajů a provádí toto prohlášení v zastoupení společnosti Black & Decker.

Kevin Hewitt
Viceprezident pro
spotřebitelskou techniku
Black & Decker Europe,
210 Bath Road, Slough,
Berkshire, SL1 3YD
United Kingdom
18/05/2010

Objeví-li se na výrobku Black & Decker, v průběhu 24 měsíců od zakoupení, jakékoli materiálové či výrobní vady, garantujeme ve snaze o minimalizování vašich starostí bezplatnou výměnu vadných dílů, opravu nebo výměnu celého výrobku za níže uvedených podmínek:

- ◆ Výrobek nebyl používán pro obchodní nebo profesionální účely a nedocházelo-li k jeho pronájmu.
- ◆ Výrobek nebyl vystaven nesprávnému použití a nebyla zanedbána jeho předepsaná údržba.
- ◆ Výrobek nebyl poškozen cizím zaviněním.
- ◆ Nebyly prováděny opravy výrobku jinými osobami než pracovníky značkového servisu Black & Decker.

Při uplatňování reklamace je nutno prodejci nebo servisnímu středisku předložit doklad o nákupu výrobku. Místo vaší nejbližší autorizované servisní pobočky Black & Decker se dozvíte na příslušné adrese uvedené na zadní straně této příručky. Seznam autorizovaných servisů Black & Decker a podrobnosti o poprodejním servisu naleznete také na internetové adrese: **www.2helpU.com**

Navštivte naši internetovou adresu **www.blackanddecker.co.uk** a zaregistrujte si Váš výrobek Black & Decker. Budete tak mít neustále přehled o nových výrobcích a speciálních nabídkách. Další informace o značce Black & Decker a o našem výrobním programu získáte na internetové adrese **www.blackanddecker.co.uk**

Záruka

Společnost Black & Decker důvěřuje kvalitě svého vlastního nářadí a poskytuje kupujícímu mimořádnou záruku. Tato záruka je nadstandardní a v žádném případě nepoškozuje Vaše zákonná práva. Tato záruka platí ve všech členských státech EU a Evropské zóny volného obchodu EFTA.

Rendeltetésszerű használat

Szívből gratulálunk új Black & Decker Fúró/csavarozó gépéhez. Ezt a készüléket csavarozási feladatok elvégzésére valamint fa, fém és műanyagok fúrására terveztük. Ez a készülék iparszerű felhasználásra nem alkalmas.

Biztonságtechnikai előírások

Általános biztonságtechnikai előírások



Figyelem! Figyelmesen olvassa el a kezelési útmutatót a gép üzembe helyezése előtt. Elektromos szerszám használatakor mindig tartsa be az alábbi alapvető biztonsági rendszabályokat, így elkerülheti a tűzveszély, az elektromos áramütés, a személyi sérülések és az anyag károsodásának lehetőségét.

Kérjük, gondosan őrizze meg a kezelési útmutatót, hogy a későbbiekben is bármikor utánanézhesen a géppel kapcsolatos összes információnak. Mielőtt bármilyen beállítást változtat a gépen, vagy karbantartási munkába kezd, mindig csatlakoztassa le a készüléket a hálózati áramforrásról.

1. Munkaterület

- Tartsa rendben és világítsa meg munkahelyét.** A zsúfolt, rendetlen munkaterület növeli a balesetveszélyt. Gondoskodjon a munkaterület megfelelő megvilágításáról.
- Ne használja a készüléket robbanás és tűzveszélyes helyeken, például gyúlékony folyadékok és gázok közelében.** Elektromos kéziszerszámok használatakor szikra keletkezhet, mely begyűjthatja a port vagy gázt.
- Tartsa távol a gyerekeket.** Gondoskodjon arról, hogy gyereket, más személyek vagy állatok ne közelíthessék meg a munkaterületet, ne érinthessék meg a készüléket és a hálózati kábelt, továbbá elvonhatják figyelmét a készülék irányításáról.

2. Elektromos biztonság

- A készülék csatlakozódugójának illeszkednie kell a dugaszoló aljzathoz. Soha ne változtasson a csatlakozódugón. Soha ne használjon semmilyen adaptert földelt készülékekkel.** Az eredeti csatlakozódugó és a megfelelő dugaszoló aljzat használatával jelentősen csökkenthető az elektromos áramütés kockázata.

- Kerülje az érintkezést fémes részekkel (például csövek, radiátorok, tűzhelyek és hűtőszekrények).** Viseljen gumitalpú cipőt. Extrém munkakörülmények között (pl.: magas páratartalom, fémpor keletkezése esetén) az elektromos biztonság növelhető egy leválasztó transzformátor vagy hibaáram-védelmi kapcsoló előkapcsolásán keresztül.
 - Legyen figyelemmel a környezeti behatásokra.** Ne hagyja szabadban a gépet, óvja az esőtől. Ne használja nyirkos, nedves környezetben.
 - Bánjon gondosan a kábellel. Soha ne a kábelnél fogva vigye a gépet, és kérjűk, ne a kábelnél fogva húzza ki a csatlakozódugót a konnektorból. Tartsa távol a kábelt éles széléktől, védje olajtól és hőtől. Minden használat előtt ellenőrizze a kábel állapotát, és ne indítsa be a gépet, ha a kábel sérült.** Sérült vagy összetekeredett hálózati kábel használata jelentősen növelheti az elektromos áramütés kockázatát.
 - A szabadban kizárólag csak az arra jóváhagyott és jelöléssel ellátott hosszabbító kábelt szabad használni.** Használat előtt ellenőrizze a hosszabbító kábelt és cserélje le, ha sérült. Teljesítmény csökkenés nélkül max. 30m hosszú, kéteres Black & Decker hosszabbító kábelt használhat.
 - Ha elkerülhetetlen a készülék nedves környezetben való használata, használjon egy leválasztó transzformátort vagy hibaáram-védelmi kapcsolót.** Extrém munkakörülmények között (pl.: magas páratartalom, fémpor keletkezése esetén) az elektromos biztonság növelhető egy leválasztó transzformátor vagy hibaáram-védelmi kapcsoló előkapcsolásán keresztül.
- #### 3. Személyi védelem
- Figyeljen munkájára. Figyeljen mindig arra, amit tesz. Használja az összes érzékszervét. Ne használja a készüléket, ha fáradt, vagy ha hallucinogén anyag, alkohol vagy gyógyszeres befolyásoltság alatt áll.** Elektromos kéziszerszám használatakor pillanatnyi figyelmetlenség is súlyos baleset előidézője lehet.
 - Viseljen védőfelszerelést. Mindig viseljen védőszemüveget.** Használjon arc vagy pormaszkot, ha az elvégzendő munka nagy porral, vagy lepattanó részekkel járhat. Ügyeljen a hallásvédelemre is.
 - Ne hagyja felügyelet nélkül bekapcsolva a gépet. Győződjön meg róla, hogy az üzemi kapcsoló kikapcsolt állapotban van, mielőtt az áramforrásra csatlakoztatja. Ne szállítsa**

a feszültség alatt lévő gépet ujjával az üzemi kapcsolón, mivel ez súlyos baleset előidézője lehet.

- d. **Ne hagyjon szerelőkulcsot a gépben.** A munka megkezdése előtt mindig ellenőrizze, hogy a szerelőszerszámot (kulcsot) eltávolította-e a készülékből.
 - e. **Álljon biztonságosan. Kerülje a rendellenes testtartást, és egyensúlyát soha ne veszítse el munkavégzés közben.** Így jobban irányíthatja a készüléket, még váratlan helyzetekben is.
 - f. **Viseljen megfelelő munkaruházatot. Szabadban viseljen gumikesztyűt és csúszámentes lábbelit. Ne hordjon ékszert vagy laza ruházatot munkavégzés közben. Tartsa távol hosszú haját, ruházatát és munkakesztyűjét a mozgó részekről.** A laza ruházat, ékszerek vagy hosszú haj beakadhatnak a mozgó részekbe. Hosszú haj esetében használjon sapkát, hogy ne zavarja a munkában.
 - g. **Ha a készüléken megtalálható a poreszívási lehetőség, vagy a porzsák, úgy ügyeljen arra, hogy megfelelően csatlakoztassa és használja ezeket munka közben.** Poreszívó berendezés használatával nagymértékben csökkenthetőek a por okozta veszélyek.
- 4. Az elektromos kéziszerszám használata és ápolása**
- a. **Mindig a megfelelő szerszámot használja. Ne erőltesse a kéziszerszámot.** A készülék rendeltetésszerű használatáról korábban már említést tettünk. Ne erőltesse túl a kisebb teljesítményű készülékeket, vagy tartozékokat, nagyobb teljesítményt igénylő munkánál. A termékkel jobban és biztonságosabban elvégezheti a munkát, hogy ha a teljesítmény kategóriájának megfelelően használja. **Figyelem!** Az Ön biztonsága érdekében csak olyan tartozékot, illetve kiegészítő berendezést használjon, melyet a kezelési utasítás ajánl.
 - b. **Ne használja a gépet, ha a kapcsoló nem működőképes.** Bármely kéziszerszám használata, amely nem irányítható megfelelően az üzemi kapcsolóval, nagyon veszélyes, ezért azonnal meg kell javíttatni a kapcsolót, ha sérült vagy nem működőképes.
 - c. **Áramtalanítsa a készüléket.** Mindig áramtalanítsa a készüléket, ha nem használja azt; mielőtt változtatna a gép bármely beállításán; tartozékot vagy feltétet cserél; valamint a termék átvizsgálása előtt.
 - d. **Ügyeljen a készülék megfelelő tárolására. Ha nem használja a készüléket, tartsa száraz, gyermekek elől gondosan elzárt helyen. Az**

elektromos kéziszerszámok használata veszélyes lehet nem képzett felhasználó esetén.

- e. **Ellenőrizze a készülék állapotát. Használat előtt mindig ellenőrizze a készüléket és a hálózati kábelt. Vizsgálja meg, hogy a mozgó részek megfelelően működnek, nincsenek akadályoztatva. Ellenőrizze a részegységeket, olajozásukat, esetleg előforduló töréseit, a kézvédő vagy a kapcsoló sérüléseit és minden olyan rendellenességet, ami befolyásolhatja a készülék használatát.** Bizonyosodjon meg róla, hogy a készülék megfelelően működik, és a kategóriájával egyenértékű teljesítményt biztosít. Ne használja a gépet, ha valamelyik alkatrésze sérült. A sérült vagy hibás alkatrészek javítását vagy cseréjét csak a kijelölt szakszervezetek végezhetik. Soha ne kísérelje meg a javítást Önállóan, a sérült részeket és védőberendezéseket előírás szerint kell javíttatni vagy cseréltetni.
 - f. **A vágóéleket tartsa élesen és tisztán a jobb és biztonságosabb munkavégzés érdekében.** Kövesse a karbantartásra és tartozékcsereire vonatkozó előírásokat. Tartsa a fogantyúkat és kapcsolókat szárazon, tisztán és olajtól, zsírtól mentesen.
 - g. **Rögzítse a munkadarabot. Használjon satut vagy más leszorító eszközt a munkadarab rögzítésére.** Így biztonságossá válik a munkavégzés, és mindkét keze szabadon marad a gép irányítására.
- 5. Akkumulátoros készülék használata és ápolása**
- a. **Kizárólag csak műszaki adatokban megadott töltőkészüléket használja az akkumulátor töltésére.** Más töltő használata személyi és dologi kárt és tűzveszélyt okozhat.
 - b. **Kizárólag csak a műszaki adatokban megadott akkumulátort csatlakoztasson a készülékre.** Más akkumulátor használata személyi és dologi kárt okozhat.
 - c. **Ügyeljen az akkumulátort a megfelelő tárolásra.** Rövidzárlat okozásának veszélye miatt kerülje, hogy fémes tárgyak az akku pólusaival érintkezzenek. A tűzveszély mellett az akku is károsodhat. (pl.: ha az akkumulátort a szerszámok kofferben tárolja, az abban lévő szerszámokkal érintkezhet).
 - d. **Szélsőséges körülmények között való használatnál előfordulhat, hogy akkufolyadék szivárog ki az akkuból. Kerülje az érintkezést az akkufolyadékkal. Ha mégis érintkezésbe kerül vele, öblítse le bő vízzel. Ha szemébe**

kerül, forduljon azonnal orvoshoz. Az akkufolyadék bőrirritációt és megégést okozhat.

6. Javítás

- a. Ez a kéziszerszám megfelel a vonatkozó biztonsági előírásoknak. Javítást csak szakszervíz végezhet, és csak eredeti gyári alkatrészeket szabad felhasználni. A szakszerűtlen javítás súlyos baleset előidézője lehet.

Kiegészítő biztonságtechnikai előírások kéziszerszámokhoz



Figyelem! Kiegészítő biztonságtechnikai előírások fúrókhoz és csavarozókhoz.

- ◆ **Viseljen hallásvédőt.** A magas zajszint halláskárosodáshoz vezethet.
- ◆ **Mindig használja a készülékkel szállított pótfogantyúkat.** A készülék feletti irányítás elvesztése, súlyos baleset előidézője lehet.
- ◆ **A készüléket csak a szigetelt markolati felületen tartsa, ha olyan munkát végez, ahol a befogott tartozék rejtett vezetékkel vagy saját hálózati kábelével érintkezhet.** Élő vezetékkel való találkozás a készülék fém részeit is élővé, vezetővé teszi, és így elektromos áramütés veszélyét jelenti a felhasználó számára.
- ◆ **Használjon leszorító eszközt vagy satut a munkadarab biztosításához, illetve megtámasztásához.** Az irányítás elvesztéséhez vezethet, és személyi sérülést okozhat, ha a munkadarabot a kezében tartja, vagy testéhez támasztja.
- ◆ **Mielőtt fúrási munkálatba kezdene falazatba, padlózatba, vagy tetőzetbe, mindig ellenőrizze a vezetékek és csövek elhelyezkedését.**
- ◆ **Soha ne érintse meg a fúrószár hegyét azonnal a munka befejezése után, mivel ez forró lehet.**
- ◆ **A készülék használatát fiataloknak, illetve képzetlen felhasználók részére csak felügyelet mellett engedélyezze.** Gyermekek esetén különösen kiemelt felügyelet szükséges, hogy ne játszanak a készülékkel.
- ◆ **A készülék rendeltetészerű használatát már korábban leírtuk. Ne erőltesse túl a kisebb teljesítményű készülékeket, vagy tartozékokat, nagyobb teljesítményt igénylő munkánál.** A termékkel jobban és biztonságosabban elvégezheti a munkát, hogy ha a teljesítmény kategóriájának megfelelően használja. Ne erőltesse a szerszámot. Az Ön biztonsága érdekében csak olyan tartozékokat, illetve kiegészítő berendezést használjon, melyet a kezelési utasítás ajánl.

Kiegészítő biztonságtechnikai előírások akkumulátorokhoz és töltőkészülékekhez

Akkumulátorok

- ◆ Ne kísérletezzen az akkumulátor felnyitásával.
- ◆ Ne hagyja szabadban az akkumulátort, óvja az esőtől. Ne használja nyirkos, nedves környezetben.
- ◆ Ne hagyja az akkumulátort hőnek kitéve.
- ◆ Olyan helyen tárolja az akkut, ahol a hőmérséklet nem haladja meg a 40°C-ot.
- ◆ Az akkut csak 10-40°C közötti környezeti hőmérsékleten töltsé.
- ◆ Kizárólag a mellékelt töltőkészülékkel töltsé az akkumulátort.
- ◆ A tönkrement akkuról gondoskodjon a "Környezetvédelem" fejezetben leírtak szerint.
- ◆ Ne kísérletezzen sérült akkumulátor töltésével!



Töltőkészülék

- ◆ Kizárólag csak a készülékkel szállított Black & Decker töltőkészülékét használja a mellékelt akkumulátor töltésére. Más akkumulátorok töltése személyi és dologi kárt okozhat.
- ◆ Ne kísérletezzen nem tölthető akkumulátorok töltésével.
- ◆ A sérült hálózati kábelt azonnal cserélje ki.
- ◆ Ne tegye ki a töltőkészüléket nedvességnek.
- ◆ Ne nyissa ki a töltő burkolatát.
- ◆ Ne érintse meg ujjával vagy más tárggyal a töltő érintkezőit, ne tesztelje mérőműszerrel.



A készülék használata csak belső térben megengedett!



Olvassa el a kezelési utasítást használat előtt.



- ◆ A töltő automatikusan lekapcsol, ha a környezeti hőmérséklet túl magas. Ez csak egyszer következhet be a töltő hasznos élettartamában, mert így üzemképtelen lesz. Csatlakoztassa le a hálózati áramforrásról, és vigye a legközelebbi szervizállomásra.

Vibráció

A megállapított vibráció emisszió érték a standard teszt metódus szerint EN60745 szabvány szerint van mérve, és egy másik készülékkel való összehasonlításra szolgál. A megállapított vibráció emisszió érték, szintén használható a kitétség előzetes megbecslésére.

Figyelem! A vibráció emisszió érték a készülék használatakor eltérhet a megállapított értéktől a készülék használatának módjától függően. A vibráció érték az itt megállapított szint fölé emelkedhet.

A keletkező vibrációs mérték meghatározása: a 2002/44/EC szabvány szerint adott a biztonságos érték, azonban azok védelmében, akik rendszeresen használják a készüléket, egy becsült érték figyelembe vétele szükséges, mely számításba veszi a kitettség időintervallumát, a munkaterület karakterisztikáját, a készülék használati módját, beleértve részegységek működési ciklusát, mint pl. a készülék be- és kikapcsolása a kapcsolóra gyakorolt hatása.

Figyelmeztető szimbólumok a készüléken



Figyelem! Sérülésveszély csökkentéséhez, figyelmesen olvassa el a kezelési útmutatót a készülék üzembe helyezése előtt.

Elektromos biztonság



Az Ön töltőkészüléke kettősszigetelésű, ezért a földelés nem szükséges. Mindig ellenőrizze, hogy a hálózati feszültség megfelelő-e a töltő adattábláján feltüntetettnek! Soha ne próbálja a töltőegységet helyettesíteni egy normál hálózati csatlakozóval.

- ◆ Ha a hálózati kábel sérült, azonnal cseréltesse le egy Black & Decker szakszervizben.

Leírás

A készülék a következő jellemzőkkel rendelkezik:

1. Fordulatszám-szabályozós vagy kétsebességes üzemi kapcsoló
2. Forgásirányváltó kapcsoló
3. Üzemmód választó / nyomaték beállító gyűrű
4. Tokmány
5. Akkumulátor
6. Akkumulátor kioldógomb

C és D ábra

7. Töltőkészülék
8. Töltőállomás (csak két akkumulátorral szállított, „CAB” kiterjesztésű típusoknál)
9. Töltőkészülék csatlakozó
10. Töltőkészülék csatlakozódugója

Összeszerelés

Figyelem! Összeszerelés előtt távolítsa el az akkumulátort a készülékből.

Az akkumulátor fel- és leszerelése (A ábra)

- ◆ Az akkumulátor (5) felhelyezéséhez igazítsa az akkut a gép akkunylásához. Tolja befelé, amíg reteszeliődik.

- ◆ A leszereléshez nyomja meg az akku kioldógombot (6) miközben húzza ki az akkumulátort az akkunylásból.

Akkumulátor sapka felhelyezése (B ábra)

Figyelem! Szállításkor és tároláskor mindig helyezze az akkumulátor sapkát (11) az akkumulátorra (5). A védősapka az akkumulátor érintkezőinek befedésére szolgál. A védősapka nélkül különböző fémtárgyak rövidre zárhatják az érintkezőket, ami tűzveszélyes és az akkumulátor károsodásához vezet.

Fúrószár vagy csavarozó hegy befogása, illetve kivétele (E ábra)

Figyelem! Először mindig távolítsa el az akkut a gépből!

Ez a készülék gyorszorító fúrótokmánnal van ellátva, amely egyszerű és gyors tartozékcsere tesz lehetővé.

- ◆ Reteszelve a készüléket úgy, hogy a forgásirányváltó kapcsolót (2) középpállásba tolja.
- ◆ Nyissa ki a tokmányt úgy, hogy az egyik kezével a tokmány elülső részét (12) forgatja, miközben a másik kezével a hátsó felét (13) szilárdan tartja, amíg a tokmánypofák megfelelően kinyílnak.
- ◆ Helyezze be a fúrószárat vagy csavarozó hegyet (14) a tokmányba.
- ◆ Gondosan szorítsa meg a tokmányt úgy, hogy az egyik kezével a tokmány elülső részét (12) forgatja, miközben a másik kezével a hátsó felét (13) szilárdan tartja, amíg a tokmánypofák megfelelően bezáródnak.

A fúrótokmány leszerelése és felszerelése (F ábra)

- ◆ Teljesen nyissa ki a tokmánypofákat.
- ◆ Távolítsa el a tokmányrögzítő csavart úgy, hogy az óramutató járásával megegyező irányba forgatja egy csavarhúzó segítségével.
- ◆ Szorítson a tokmányba egy imbuszkulcsot (15) és kalapáccsal mérjen gyenge ütéseket rá, az ábra szerint.
- ◆ Távolítsa el az imbuszkulcsot a tokmányból.
- ◆ Csavarja le a tokmányt a tengelyről az óramutató járásával ellentétes irányba.
- ◆ A tokmány felszereléséhez, csavarja a tokmányt a tengelyre és biztosítsa a tokmányrögzítő csavar segítségével.

Maradványkockázatok.

A biztonsági figyelmeztetésekben ismertetett kockázatok mellett más kockázatok is jellemezhetik a szerszám használatát. Ezek a kockázatok

a szerszám rendeltetésétől eltérő, illetve huzamos használatából stb. adódhatnak.

A vonatkozó biztonsági előírások alkalmazása és a védőeszközök használata ellenére bizonyos kockázatokat (ún. maradványkockázatokat) nem lehet kizárni. Ezek például a következők:

- ◆ **A forgó/mozgó alkatrészek megérintése által okozott sérülések.**
- ◆ **Az alkatrészek, vágólapok, tartozékok cseréje által okozott sérülés.**
- ◆ **A szerszám huzamos használata által okozott egészségkárosodás. Ha valamely szerszámot huzamosabb ideig használ, akkor tartson rendszeresen szüneteket a munkában.**
- ◆ **Halláskárosodás.**
- ◆ **A használat közben famunkáknál keletkező por belégzése miatti egészségkárosodás, (különös tekintettel a tölgy, bükk és MDF anyagokra).**

A készülék használata

Figyelem! Hagyja a készüléket a saját ütemében dolgozni. Ne terhelje túl.

Az akkumulátor töltése

Az akkumulátort használat előtt fel kell tölteni, vagy ha a teljesítménye már nem elegendő a készülék megfelelő működtetéséhez. Egy új, vagy hosszú ideig nem használt akkumulátor első feltöltésével kb. 80%-os töltöttségi szintet ér el. Számos teljes feltöltés és kisütési ciklus után éri el teljes kapacitását az akkumulátor. Töltés alatt az akku felmelegedhet; ez normális jelenség, nem hibára utaló jel.

Figyelem! Ne töltsön fel akkumulátort 10°C alatti, és 40°C fölötti környezeti hőmérsékleten. Az ajánlott töltési hőmérséklet: körülbelül 24°C. A géppel szállított töltőt ne használja más készülék, vagy akkumulátor töltésére.

A töltőkészülék töltőállomással való használata (C ábra)

- ◆ Az akkumulátor (5) töltéséhez vegye ki az akkut a gépből, és helyezze be a töltőállomásba (8). Az akku csak egy bizonyos helyzetben illeszthető be a töltőállomásba. Ne erőltesse! Ellenőrizze, hogy az akku teljesen beilleszkedik a töltőállomásba.
- ◆ Dugja a töltő (7) villásdugóját a hálózati dugaljba.

Normális használatnál a 3 órás töltési idő elegendő energiát biztosít a legtöbb alkalmazáshoz. Az akkumulátor és a töltőkészülék állapotától függően, a töltési idő 6 óráig történő meghosszabbításával az akkumulátor használati idejét jelentősen növelheti.

- ◆ Vegye ki az akkumulátort a töltőkészülékből.

A töltőkészülék töltőállomás nélküli használata (D ábra)

- ◆ Az akku töltése előtt ellenőrizze, hogy a gép kikapcsolt állapotban legyen.
- ◆ Az akkumulátor töltéséhez, bizonyosodjon meg arról, hogy az a készülékre van illesztve.
- ◆ Dugja a töltőkészülék csatlakozódugóját (10) a töltőkészülék csatlakozójába (9).
- ◆ Dugja a töltőkészüléket (7) a hálózati dugaljba. Normális használatnál a 3 órás töltési idő elegendő energiát biztosít a legtöbb alkalmazáshoz. Az akkumulátor és a töltőkészülék állapotától függően, a töltési idő 6 óráig történő meghosszabbításával az akkumulátor használati idejét jelentősen növelheti.
- ◆ Húzza ki a gépből a töltőkészülék csatlakozódugóját.

Figyelem! Ne használja a gépet, miközben az a töltőkészülékhez van csatlakoztatva.


Forgásirány kiválasztása

Fúráshoz és csavarok behajtásához használja a jobbra (órmutató járásával egyező irányú) forgásirányt. Csavarok kihajtásához, vagy megszorult fúrószárok kilazításához, használja a balra (órmutató járásával ellentétes irányú) forgásirányt.

- ◆ Fúráshoz és csavarok behajtásához állítsa a forgásirányváltó kapcsolót (2) baloldali pozícióba.
- ◆ Csavarok kihajtásához, vagy megszorult fúrószárok kilazításához, állítsa a forgásirányváltó kapcsolót jobboldali pozícióba.
- ◆ A készülék bereteszeléséhez állítsa a forgásirányváltó kapcsolót középállásba.

Az üzemmódok és a nyomaték kiválasztása (G ábra)

Ez a készülék az egy forgatható gyűrűvel van ellátva, mely segítségével kiválaszthatja a megfelelő üzemmódot és a csavarok behajtásához szükséges nyomatékot. Nagyobb csavarokhoz és keményebb munkadarabokhoz a magasabb nyomaték szükséges, mint a kisebb csavarokhoz és lágyabb munkadarabokhoz. A forgatható gyűrű segítségével széles a nyomaték beállításának lehetősége, így a különböző felhasználási területeknek megfelelő nyomatékon tudja a készüléket használni.

- ◆ Fa, fém és műanyag fúrásához forgassa a gyűrűt (3) fúróállásba úgy, hogy a fúrás szimbólumot  a jelöléshez (16) igazítja.
- ◆ Csavarozáshoz forgassa a gyűrűt a kívánt állásra. Ha nem tudja még megfelelően beállítani a nyomatékot, akkor a következőképpen járjon el:

- Állítsa be a gyűrűt (3) a legalacsonyabb nyomatékra.
- Húzza meg így az első csavart.
- Ha a kuplung a kívánt eredmény elérése előtt elracsznizik, növelje a gyűrű segítségével a nyomatékot és folytassa a csavarozást. Ismétlje ezt a módszert mindaddig, amíg el nem éri a megfelelő beállítást. A többi csavart ugyanezzel a beállítással csavarozza be.

A készülék be- és kikapcsolása

Fordulatszám-szabályozós kapcsoló

- ◆ A gép beindításához nyomja meg a fordulatszám-szabályozós üzemi kapcsolót (1). A kapcsoló behúzásának mértékével arányosan nő a fordulatszám.
- ◆ A készülék kikapcsolásához engedje el a fordulatszám-szabályozós üzemi kapcsolót.

Javaslatok az optimális munkavégzéshez

Fúrás

- ◆ Segítse könnyed nyomással a készüléket a fúrószárral párhuzamos irányba.
- ◆ Ha a fúrószár hegye már majdnem átér az anyagon, csökkentse a gépre gyakorolt nyomást.
- ◆ Ha a fúrószár szálkásítja, vagy kiszakítja a munkadarabot, helyezzen egy darab fát a munkadarab hátoldalához.
- ◆ Ha fában nagy furatot kíván létrehozni, használjon faspírál fúrót.
- ◆ Fémekhez használjon HSS fém fúrószárat.
- ◆ Puha kőzetanyagokhoz használjon kőzet fúrószárat.
- ◆ Használjon kenőanyagot fémek fúrásához - kivéve sárgaréz és öntöttvas.
- ◆ Központosító fúróval jelölje meg a fúrni kívánt lyuk közepét a még pontosabb munkavégzés érdekében.

Csavarozás

- ◆ Mindig a megfelelő típusú és méretű csavarozó hegyet használja.
- ◆ Ha a csavar csak nagyon nehezen hajtható be, tegyen kenőanyagként egy kis mosószeret vagy szappant a csavarra.
- ◆ Mindig tartsa a gépet egyvonalban a csavarral.

Karbantartás

Az Ön készüléke minimális karbantartás mellett hosszú távú felhasználásra lett tervezve. A készülék folyamatos megfelelő működése nagymértékben függ az alapos ápolástól és a rendszeres tisztítástól.

Az Ön töltőkészüléke a rendszeres tisztításon kívül más karbantartást nem igényel.

Figyelem! Mielőtt bármilyen karbantartási munkálatba kezdene, távolítsa el az akkumulátort a készülékből. Tisztítás előtt áramtalanítsa a töltőt.

- ◆ Rendszeresen tisztítsa meg a készülék levegőréseit egy puha kefével vagy száraz ronggyal.
- ◆ Rendszeresen tisztítsa meg a motorházat egy enyhén nedves kendővel. Ne használjon karcot hagyo tisztítószert vagy oldószer bázisú anyagot.
- ◆ Rendszeresen tisztítsa a fúrótokmányt úgy, hogy a pófákat teljesen kinyitja, és a tokmányt egy fakalapáccsal könnyedén kopogtatja, hogy belsejéből a por eltávozhasson.

Környezetvédelem



Elkülönített begyűjtés. Ezt a készüléket el kell különíteni a normál háztartási hulladéktól.

Egy napon, mikor készüléke eléri technikai élettartamának végét, vagy nincs további szüksége rá, gondoljon a környezetvédelemre. A terméket a normál háztartási hulladéktól elkülönítve kell megsemmisíteni.



Az elhasználdott termékek és csomagolások elkülönített begyűjtése lehetővé teszi, ezek újrahasznosítását. Újrahasznosított vagy újra feldolgozott anyagok segítségével a környezetszennyezés, illetve a nyersanyagok iránti igény nagymértékben csökkenthető.

A helyi előírások rendelkezhetnek az elektromos készülékek háztartási hulladéktól elkülönített begyűjtéséről, helyhatósági hulladéklerakó helyeken vagy a kereskedők által új termék megvásárlásakor.

Black & Decker termékeire az élettartamuk lejártával visszavételi lehetőséget kínál. Ez a szolgáltatás ingyenes. Ha igénybe veszi ezt a szolgáltatást, kérjük, juttassa el készülékét a legközelebbi Black & Decker szervizbe, melyekről a Magyarországi Képviseletnél érdeklődhet.

Akkumulátorok



A Black & Decker akkumulátorok sokszor újratölthetők. Az akkuk technikai élettartamának végén, vegye figyelembe a környezetvédelem, és a szakszerű elhelyezés szempontjait:

- ◆ Merítse le az akkut teljesen, és távolítsa el a gépből.

- ♦ A NiCd, NiMH és Li-Ion akkuk újrahasonosíthatók. Kérjük, vigye az akkut a legközelebbi Black & Decker szervizbe vagy a helyi begyűjtőhelyre.

A legközelebbi Black & Decker szervizről a Magyarországi Képviseletnél érdeklődhet. A szervizzel kapcsolatosan a következő Internet oldalon is felvilágosítást kaphat: www.2helpU.com.

Műszaki adatok

		EPC12 (H1)	EPC14 (H1)
Feszültség	V_{egyen}	12	14,4
Üresjárat fordulatszám	min^{-1}	0-750	0-750
Maximális nyomaték	nm	11	12,1
Tokmány kapacitása	mm	10	10
Maximális fúrási kapacitás			
Fém	mm	10	10
Fa	mm	25	25

Akkumulátor		A12E	A14E
Kapacitás	Ah	1,2	1,2
Típus		NiCd	NiCd
Súly	kg	0,58	0,68

Akkumulátor		A12NH	A14NH
Kapacitás	Ah	1,5	1,5
Típus		NiMH	NiMH
Súly	kg	0,6	0,7

Töltő

		90500843	90500844
		90500847	90500848
		90500855	90500856
		90500858	90500859
Bemeneti feszültség	$V_{\text{v.a.}}$	230-240	230-240
Leadott feszültség	V_{egyen}	14,5-15,3	17,4-18,2
Áramerősség	mA	210-220	200-210
Töltési idő (kb.)	h	8-10	8-10

		EPC18 (H1)	EPC96 (H1)
Feszültség	V_{egyen}	18	9,6
Üresjárat fordulatszám	min^{-1}	0-750	0-750
Maximális nyomaték	nm	12,1	10,4
Tokmány kapacitása	mm	10	10
Maximális fúrási kapacitás			
Fém	mm	10	10
Fa	mm	25	25

Akkumulátor		A18E	B96
Kapacitás	Ah	1,2	1,2
Típus		NiCd	NiCd
Súly	kg	0,82	0,42

Akkumulátor		A18NH	
Kapacitás	Ah	1,5	
Típus		NiMH	
Súly	kg	0,9	
Töltő			
		90500845	90500842
		90500849	90500846
		90500857	90500850
		90500860	90500854
Bemeneti feszültség	$V_{\text{v.a.}}$	230-240	230-240
Leadott feszültség	V_{egyen}	21,75-22,6	11,6-12,2
Áramerősség	mA	210-230	210-220
Töltési idő (kb.)	h	8-10	8-10

Hangnyomásszint az EN 60745 szerint:

Hangnyomás (L_{pA}) 73 dB(A), toleranciafaktor (K) 3 dB(A),
Hangerő (L_{WA}) 84 dB(A), toleranciafaktor (K) 3 dB(A)

Vibrációs összérték (triax vektorösszeg) az EN 60745 szerint:

Fürés fémben ($a_{n,D}$) < 2,5 m/s², bizonytalanság (K)
1,5 m/s², Csavarozás ütés nélkül ($a_{n,s}$) < 2,5 m/s²,
toleranciafaktor (K) 1,5 m/s²

EU-TANÚSÍTÁS GÉPEK IRÁNYELV



EPC12/EPC14/EPC18/EPC96

A Black & Decker nyilatkozik arról, hogy a „Műszaki adatok” részben ismertetett termékek megfelelnek a következő irányelveknek és szabványoknak: 2006/42/EC, EN60745-1, EN60745-2-1

További információért forduljon a Black & Decker vállalathoz az alábbi címen, vagy a kézikönyv hátoldalán található elérhetőségeken.

Alulírott felelős a technikai adatállomány összeállításáért és a Black & Decker nevében elkészített nyilatkozatért.

K. Hewitt

Kevin Hewitt
Alelnök, Global Engineering
Black & Decker Europe,
210 Bath Road, Slough,
Berkshire, SL1 3YD
Egyesült Királyság
18/05/2010

Garancia határozat

A Black & Decker elhivatott a termékei minősége iránt, és kiterjesztett garanciát kínál. Ez a garanciahatározat csak kiegészíti és semmi esetre sem befolyásolja hátrányosan az Ön törvényes jogait. A garancia az Európai Unió tagállamai területén, valamint az Európai Szabadkereskedelmi Társulás (EFTA) területén érvényes.

Ha egy Black & Decker termék anyaghiba, a kivitelezés módja vagy a megfelelés hiánya miatt meghibásodik, az eladás dátumától számított 24 hónapig a Black & Decker garanciát vállal a hibás alkatrészek cseréjére, a normál kopásnak kitett termékek javítására, illetve az ilyen termékek kicserélésére, hogy ügyfeleinek a lehető legkisebb kellemetlenséget okozza az alábbi feltételekkel:

- ◆ A terméket nem használták kereskedelmi, ipari alkalmazásokhoz, és nem adták bérbe;
- ◆ A terméket rendeltetésszerűen és körültekintően használták;
- ◆ A termék nem idegen tárgyaktól, szennyeződéستől vagy külső behatástól sérült meg;
- ◆ A termék javítására nem tett kísérletet olyan személy, aki nem tartozik a hivatalos szervíz vagy a Black & Decker szervízszerelőzet tagjai közé.

A garancia érvényesítéséhez az eladónak vagy a hivatalos szervíznek be kell nyújtani a vásárláskor kapott számlát.

Ha igénybe veszi ezt a szolgáltatást, kérjük, juttassa el készülékét a legközelebbi Black & Decker szervízbe, melyekről a magyarországi képviselőnél érdeklődhet.

A szervizzel kapcsolatosan a következő Internet oldalon is felvilágosítást kaphat:

www.2helpU.com

A következő meghibásodások esetén a garancia kizárt:

- ◆ Elhasználódott, illetve károsodott kések, és a hálózati kábel. Azok az alkatrészek, amelyek a normál használat során elkopnak.
- ◆ Azok a meghibásodások, amelyek a szakszerűtlen kezelésből eredtek.
- ◆ Azok a hibák, amelyek a kezelési útmutató be nem tartásából eredtek.

Kizárólag csak eredeti Black & Decker tartozékok és alkatrészek alkalmazhatók. Ellenkező esetben teljesítménycsökkenés léphet fel, és a gép elveszti a garanciát. Ha garanciális igénye van, feltétlen mellékelje a jótállási jegyet és a vásárlási okmányokat (számlát).

BLACK & DECKER GARANCIÁLIS FELTÉTELEK

Gratulálunk Önnek ennek az értékes Black & Decker készülék megvásárlásához.

Azon termékeinkre, amelyet fogyasztói használat keretében háztartási, hobby célra vásárolnak **24 hónap jótállást biztosítunk.**

A termék iparszerű használatra nem alkalmas!

A jótállás a fogyasztó törvényből eredő jogait nem érinti.

- 1) **Black & Decker** kötelezettséget vállal arra, hogy a garanciális javításokat a **49/2003. (VII. 30.) GKM** és a **15/2003 (IX.22.) sz. Korm.** rend. szerint végzi.
 - a) A fogyasztó jótállási igényét a jótállási jeggyel érvényesítheti, ezért azt őrizze meg.
 - b) Vásárláskor az eladónak a garanciaokmányt fel kell tüntetnie a vásárlás időpontját, a termék típusát vagy termékkódját, a kereskedés nevét, címét pedig a jótállási jegyre rá kell bélyegezni. Ennek alapján szerez jogosultságot a vevő a garancia időn belüli ingyenes garanciális javításra.
 - c) Jótállási javítást csak érvényes jótállási jegy alapján végezhetnek a kijelölt szervizek.
 - d) A jótállási jegyen történt bármilyen javítás, törlés vagy átírás, valótlan adatok bejegyzése, a jótállási jegy érvénytelenségét vonja maga után.
 - e) Elvesztett jótállási jegyet csak a vásárlási számla felmutatásával, térítés ellenében tudunk pótolni!
 - f) A jótállási jegy szabálytalan kiállításra vagy a fogyasztó részére történő átadásának elmaradása nem érinti a jótállási kötelezettségvállalás érvényességét.
- 2) **Nem terjed ki a garancia:**
 - a) Ha a hiba rendeltetésszerű használat, átalakítás, szakszerűtlen kezelés, helytelen tárolás, elemi kár vagy egyéb, vásárlás után keletkezett okból következett be. *(A rendeltetésszerű használat elkerülése céljából a termékhez magyar nyelvű vásárlói tájékoztatót mellékelünk és kérjük, hogy az abban foglaltakat saját érdekében tartsa be!)*
 - b) Az olyan károsodásokra, amelyek a szerszámok iparszerű (professzionális), közületi, valamint kölcsönzési felhasználása miatt keletkeztek.
 - c) Azon alkatrészekre, amelyeknél a meghibásodás garanciaidőn belül a helyes kezelés, karbantartás szerinti rendeltetésszerű üzemeltetés mellett az alkatrészek természetes elhasználódása, kopása következtében állt elő. *(ezek a következők: megmunkáló szerszámok pl. vágószerszám, fűrészlánc, fűrészlap, gyalukés stb. továbbá: meghajtószíj, csapágó, szénkefe, csillagkerék kpl.)*
 - d) A készülék túlterhelése miatt jelentkező hibákra, amelyek a hajtómű meghibásodásához, vagy egyéb ebből adódó károkhoz vezetnek.
 - e) A termék nem hivatalos szervizben történt javításából eredő hibákra.
 - f) Az olyan károsodásokra, amelyek nem eredeti Black & Decker kiegészítő készülékek és tartozékok használatából adódnak.

- 3) **A fogyasztó** a kijavítás iránti igényét a forgalmazónál, illetve a jótállási jegyen feltüntetett javítószolgálatnál érvényesítheti.
 - Meghosszabbodik a jótállási idő a kijavítási idő azon részével, amely alatt a fogyasztó a terméket nem tudta rendeltetésszerűen használni.
 - A jótállási és szavatossági jogok érvényesíthetőségének határidején belül a termékek vagy jelentősebb részének kicserélése (kijavítása) esetén a kicserélt (kijavított) termékre (termékrészre) 12 hónap jótállást biztosítunk. Ezek a következők: motor illetve állórész, forgórész, elektronika.
 - Ha a fogyasztási cikk a vásárlástól (üzembe helyezéstől) számított három munkanapon belül meghibásodik, a fogyasztó kérheti annak kicserélését feltéve, hogy a meghibásodás a rendeltetésszerű használatot akadályozza. A Black & Decker Hungary Kft. a meghibásodás okának feltárása céljából fenntartja a jogot a hibás termék vizsgálatára. Amennyiben a reklamáció alkalmával a meghibásodás garanciális voltáról nem nyilatkozunk, úgy 72 órán belül kell értesítenünk a vásárlót a reklamáció intézésének módjáról.
Ha a csere nem lenne lehetséges, műszakilag hasonló készülék kerül felajánlásra, vagy visszafizethető a vételár.

Amennyiben a hiba keletkezése, ténye, jellege, (pl. rendeltetésszerű használat, stb.) miatt vita merül fel, a Fogyasztó szakvéleményt kérhet a Fogyasztóvédelmi Főfelügyelőségtől. A szakvélemény térítésmentes és nem kötelező érvényű a Forgalmazó számára.

- 4) **Garanciális javítás esetén** a szerviznek a garanciaokmányt az alábbi adatokat kell feltüntetnie:
 - a garanciális igény bejelentésének dátumát,
 - a hiba rövid leírását,
 - a javítás módját és időtartamát,
 - a készülék visszaadásának időpontját,
 - javítás időtartamával meghosszabbított új garanciaidőt.
- 5) **Arra törekszünk, hogy szervizhálózatunkon** keresztül kiváló javítószolgálatot, zökkenőmentes alkatrészellátást, és széles tartozékpalettát biztosítsunk.
- 6) **A fogyasztót a Polgári Törvénykönyvről szóló 1959. évi IV. törvény 306-310. §-ában, valamint a 49/2003. (VII. 30.) GKM** rendeletben meghatározott jogok illetik meg.

Gyártó:

Black & Decker GmbH
D – 65510 Idstein/Ts
Black & Decker str. 40.

Importőr:

Black & Decker Hungary Kft.
1016 Budapest
Galeotti u. 5.

Przeznaczenie

Opisywana wiertarko-wkrętarka firmy Black & Decker jest przeznaczona do wkręcania wkrętów oraz wiercenia otworów w drewnie, metalach i tworzywach sztucznych. Narzędzie przeznaczone jest wyłącznie do użytku amatorskiego.

Zasady bezpiecznej pracy


Ogólne wskazówki dotyczące bezpiecznego użytkowania elektronarzędzi



Uwaga! Należy zapoznać się ze wszystkimi ostrzeżeniami dotyczącymi bezpiecznej pracy oraz z instrukcją obsługi. Nie stosowanie się do poniższych ostrzeżeń i instrukcji może być przyczyną porażenia prądem elektrycznym, pożaru i/lub uszkodzenia ciała.

Zachowaj wszystkie instrukcje i informacje dotyczące bezpiecznej pracy, aby móc korzystać z nich w przyszłości. Określenie "elektronarzędzie" używane we wszystkich poniższych instrukcjach, dotyczy narzędzi zasilanych z sieci (przewodem zasilającym) oraz elektronarzędzi zasilanych akumulatorowo (bezbprzewodowych).

1. **Bezpieczeństwo w miejscu pracy**
 - a. Utrzymuj miejsce pracy w czystości i dbaj o dobre oświetlenie. Nieporządek i niedostateczne oświetlenie sprzyjają wypadkom.
 - b. **Nie wolno używać elektronarzędzi w strefach zagrożenia wybuchem, w pobliżu palnych cieczy, gazów lub pyłów.** W czasie pracy elektronarzędzi powstają iskry, które mogą spowodować zapłon pyłów lub oparów.
 - c. **W czasie pracy elektronarzędziami nie pozwalaj na przebywanie w pobliżu dzieci i innych osób postronnych.** Brak skupienia może spowodować utratę kontroli nad narzędziem.
 2. **Ochrona przed porażeniem prądem elektrycznym**
 - a. **Gniazdo musi być dostosowane do wtyczki elektronarzędzia. Nie wolno dokonywać przeróbek wtyczki.** Do zasilania uziemionych (zerowanych) elektronarzędzi nie należy używać przejściówek. Używanie nieprzebronych wtyczek i odpowiednich gniazd zmniejsza ryzyko porażenia prądem elektrycznym.
 - b. **Należy unikać bezpośredniego kontaktu z uziemionymi lub zerowanymi przedmiotami, takimi jak rury, grzejniki, kuchenki i lodówki.** Ryzyko porażenia prądem elektrycznym wzrasta, jeśli twoje ciało jest zerowane lub uziemione.
 - c. **Nie narażaj elektronarzędzi na działanie deszczu lub zwiększonej wilgotności.** Woda wnika do wnętrza elektronarzędzia zwiększa ryzyko porażenia prądem elektrycznym.
 - d. **Nie wolno ciągnąć za przewód zasilający. Nie podnoś, nie ciągnij i nie wyciągaj za gniazda wtyczki, poprzez ciągnięcie za przewód zasilający elektronarzędzia. Chroń przewód zasilający przed kontaktem z gorącymi elementami, olejami, ostrymi krawędziami i ruchomymi częściami.** Uszkodzenie lub zaplątanie przewodu zasilającego zwiększa ryzyko porażenia prądem elektrycznym.
 - e. **Do pracy poza pomieszczeniami zamkniętymi, należy używać przedłużacza przystosowanego do użycia na dworze.** Korzystanie z przedłużaczy przystosowanych do użycia na dworze, zmniejsza ryzyko porażenia prądem.
 - f. **Jeśli zachodzi konieczność pracy w wilgotnym otoczeniu, należy używać źródła zasilania zabezpieczonego wyłącznikiem różnicowoprądowym (RDC).** Używanie wyłączników różnicowoprądowych zmniejsza ryzyko porażenia prądem elektrycznym.
3. **Środki ochrony osobistej**
 - a. **W czasie pracy elektronarzędziem zachowaj czujność, patrz uważnie i kieruj się zdrowym rozsądkiem. Nie używaj elektronarzędzia, gdy jesteś zmęczony lub pod wpływem narkotyków, alkoholu lub leków.** Nawet chwila nieuwagi, w czasie pracy elektronarzędziem, może doprowadzić do poważnego uszkodzenia ciała.
 - b. **Używaj środków ochrony osobistej. Zawsze zakładaj okulary ochronne.** Używanie sprzętu ochrony osobistej dostosowanego do sytuacji, takiego jak maska przeciwpyłowa, buty antypoślizgowe, kask lub ochrona słuchu, zmniejsza ryzyko zranienia.
 - c. **Zapobiegaj przypadkowemu włączeniu. Przed podłączeniem do zasilania lub włożeniem akumulatorów oraz przed przenoszeniem urządzenia, upewnij się, czy wyłącznik znajduje się w pozycji "wyłączone".** Trzymanie palca na wyłączniku w czasie przenoszenia lub podłączania do zasilania jest bardzo niebezpieczne.
 - d. **Przed uruchomieniem narzędzia usuń wszelkie klucze i narzędzia do regulacji.** Pozostawienie klucza przyłączonego do części wirującej elektronarzędzia zwiększa ryzyko zranienia.

- e. **Nie wychylaj się. Nie wychylaj się i przyjmij stabilną pozycję, aby zawsze zachowywać równowagę.** Umożliwia to lepszą kontrolę nad narzędziem w nieoczekiwanych sytuacjach.
- f. **Zalóż odpowiedni strój. Nie zakładaj luźnego ubrania ani biżuterii. Trzymaj włosy, ubranie i rękawice z dala od ruchomych części.** Luźne ubranie, biżuteria lub długie włosy mogą zostać pochwycone przez ruchome części.
- g. **Jeśli sprzęt jest przystosowany do przyłączenia urządzeń odprowadzających i zbierających pył, upewnij się, czy są one przyłączone i właściwie użytkowane.** Użycie urządzeń do odprowadzania pyłu zmniejsza zagrożenia związane z wysokim zapyleniem.
4. **Obsługa i konserwacja elektronarzędzi**
- a. **Nie wolno przeciążać elektronarzędzi. Używaj elektronarzędzi odpowiednich do wykonywanej pracy.** Odpowiednio dobrane elektronarzędzie umożliwi wykonanie pracy w sposób bezpieczny i w tempie, do jakiego jest przystosowane.
- b. **Nie wolno używać elektronarzędzia z zepsutym wyłącznikiem, który nie pozwala na sprawne włączanie i wyłączanie.** Elektronarzędzie, którego pracy nie można kontrolować wyłącznikiem jest niebezpieczne i musi zostać naprawione.
- c. **Przed przystąpieniem do regulacji, wymiany akcesoriów oraz przed schowaniem elektronarzędzia, należy odłączyć wtyczkę od źródła zasilania i/lub odłączyć akumulator od urządzenia.** Stosowanie takich środków zapobiegawczych zwiększa bezpieczeństwo i zmniejsza ryzyko przypadkowego uruchomienia elektronarzędzia.
- d. **Nie używane elektronarzędzie przechowuj poza zasięgiem dzieci i nie dopuszczaj osób nie znających elektronarzędzia lub tej instrukcji do posługiwania się elektronarzędziem.** Elektronarzędzia obsługiwane przez osoby nieprzygotowane stanowią zagrożenie.
- e. **Regularnie dokonuj konserwacji elektronarzędzi. Sprawdź, czy ruchome części są właściwie połączone i zamocowane, czy części nie są uszkodzone oraz skontroluj wszelkie inne elementy mogące mieć wpływ na pracę elektronarzędzia.** Jakiegokolwiek uszkodzenia należy naprawić przed rozpoczęciem pracy. Wiele wypadków spowodowanych jest przez niedostateczną konserwację elektronarzędzi.
- f. **Dbaj o czystość narzędzi i ostrość elementów tnących.** Zadbane narzędzia tnące, z ostrymi krawędziami tnącymi, rzadziej się zacinają i są łatwiejsze w prowadzeniu.
- g. **Elektronarzędzia, akcesoriów, końcówek itp. należy używać wyłącznie zgodnie z niniejszymi instrukcjami, uwzględniając warunki i rodzaj prac.** Użycie elektronarzędzia w sposób sprzeczny z przeznaczeniem, może być bardzo niebezpieczne.
5. **Użytkowanie i konserwacja narzędzi zasilanych akumulatorem**
- a. **Używać wyłącznie ładowarki zalecanej przez producenta.** Użycie ładowarki do ładowania innych niż dostosowane baterii, jest niebezpieczne.
- b. **Używaj tylko baterii zgodnych ze specyfikacją podaną przez producenta.** Użycie innych baterii może powodować zagrożenie uszkodzenia ciała i pożar.
- c. **Akumulatory należy przechowywać z dala od metalowych przedmiotów, takich jak spinacze do papieru, monety, gwoździe, wkręty i innych przedmiotów, które mogą doprowadzić do zwarcia styków.** Zwarcie biegunów może być przyczyną oparzenia lub pożaru.
- d. **W przypadku uszkodzenia, znajdujący się wewnątrz płyn może wyciec; unikaj styczności. W razie styczności, obficie przemywać wodą.** Jeśli substancja dostanie się do oczu, należy zasięgnąć porady lekarskiej. Płyn wydostający się z akumulatora może powodować podrażnienia i oparzenia.
6. **Naprawy**
- a. **Powierzaj naprawy elektronarzędzi wyłącznie osobom wykwalifikowanym, używającym identycznych części zamiennych.** Zapewni to bezpieczeństwo użytkowania naprawionego urządzenia.
- Bezpieczne użytkowanie elektronarzędzi - wskazówki dodatkowe**
-  **Uwaga!** Dodatkowe wskazówki dotyczące bezpiecznej pracy wiertarkami i wiertarkami udarowymi.
- ◆ **W czasie pracy wiertarką udarową należy nosić Ochronę słuchu.** Ekspozycja na hałas może powodować utratę słuchu
 - ◆ **Używaj dodatkowych uchwytów dostarczonych razem z narzędziem.** Utrata kontroli nad narzędziem może spowodować uszkodzenie ciała.
 - ◆ **Trzymaj elektronarzędzie tylko za izolowane uchwyty, jeśli wykonujesz pracę w miejscu,**

gdzie może dojść do zetknięcia z ukrytymi przewodami. Przecięcie przewodu z prądem może spowodować pojawienie się napięcia na metalowych częściach obudowy i porażenie prądem operatora.

- ◆ **Trzymaj elektronarzędzie tylko za izolowane uchwyty, jeśli wykonujesz pracę w miejscu, gdzie może dojść do zetknięcia z ukrytymi przewodami.** Przecięcie przewodu z prądem może spowodować pojawienie się napięcia na metalowych częściach obudowy i porażenie prądem operatora.
- ◆ **Używaj zacisków lub innego wygodnego sposobu unieruchomienia i podparcia obrabianego elementu.** Trzymanie rękami obrabianego elementu lub oparcie o własne ciało, nie daje dostatecznej stabilizacji i może być przyczyną utraty kontroli nad narzędziem.
- ◆ **Przed rozpoczęciem wiercenia w ścianach, podłodze czy suficie, ustal położenie przewodów i rur.**
- ◆ **Nie dotykaj czubka wiertła bezpośrednio po wierceniu, ponieważ może być bardzo rozgrzany.**
- ◆ **Opisywane narzędzie nie może być używane przez osoby (dot. także dzieci), które mają ograniczone możliwości ruchowe, percepcji lub pojmowania lub brakuje im doświadczenia i wiedzy, z wyjątkiem przypadku, gdy pozostają one pod nadzorem osoby odpowiedzialnej za ich bezpieczeństwo lub zostały przez nią przeszkolone w zakresie obsługi urządzenia. Należy pilnować dzieci, aby nie bawiły się urządzeniem.**
- ◆ **Przeznaczenie urządzenia opisane jest w niniejszej instrukcji obsługi. Używanie jakichkolwiek akcesoriów lub wykonywanie prac sprzecznych z przeznaczeniem opisywanym w instrukcji obsługi, może powodować niebezpieczeństwo uszkodzenia ciała i/lub uszkodzenia mienia.**

- ◆ Akumulatory należy utylizować postępując zgodnie z zaleceniami podanymi w rozdziale "Ochrona środowiska".



Nie wolno ładować uszkodzonych akumulatorów.

Ładowarki

- ◆ **Opisywanej ładowarki Black & Decker wolno używać wyłącznie do ładowania takich akumulatorów, jakie były razem z nią dostarczone. Inne akumulatory mogą pęknąć i spowodować zranienie lub uszkodzenie mienia.**
- ◆ **Nie wolno ładować baterii jednorazowego użytku.**
- ◆ **Wadliwe przewody zasilające należy natychmiast wymieniać.**
- ◆ **Nie wystawiać na działanie wody.**
- ◆ **Nie rozkręcać ładowarki.**
- ◆ **Nie podłączać ładowarki do próbnika.**



Ładowarka przeznaczona jest wyłącznie do użycia wewnątrz pomieszczeń zamkniętych.



Przed rozpoczęciem pracy narzędziem przeczytaj instrukcję obsługi.



Ładowarka wyłączy się automatycznie, jeśli temperatura otoczenia będzie zbyt wysoka. Bezpiecznik termiczny jest jednorazowy i po zadziałaniu musi zostać wymieniony na nowy.

Drgania

Podawana w tabeli danych technicznych oraz w deklaracji zgodności z normami wartość drgań (wibracji), została zmierzona zgodnie ze standardową procedurą zawartą w normie EN 60745. Informacja ta może służyć do porównywania tego narzędzia z innymi. Deklarowana wartość emitowanych drgań może również służyć do przewidywania stopnia narażenia użytkownika na wibracje.

Uwaga! Chwilowa siła drgań, występująca w czasie pracy elektronarzędziem, może odbiegać od podawanych wartości, w zależności od sposobu użytkowania urządzenia. Poziom wibracji może przekroczyć podawaną wartość.

Przy określaniu ekspozycji na wibracje, w celu podjęcia środków ochrony osób zawodowo użytkujących elektronarzędzia, zgodnie z normą 2002/44/EC należy uwzględnić rzeczywiste warunki i rodzaj wykonywanej pracy. Także okresy przestoju i pracy bez obciążenia.

Dodatkowe wskazówki dotyczące bezpiecznego użytkowania akumulatorów i ładowarek

Akumulatory

- ◆ **Pod żadnym pozorem nie wolno próbować otwierać akumulatorów.**
- ◆ **Nie wolno wystawiać akumulatorów na działanie wody.**
- ◆ **Nie wolno przechowywać w miejscach, w których temperatura może przekroczyć 40 °C.**
- ◆ **Ładować tylko w zakresie temperatur od 10 °C do 40 °C.**
- ◆ **Ładować tylko za pomocą ładowarki dołączonej do narzędzia.**

Symbole na urządzeniu

Na obudowie narzędzia umieszczono następujące piktogramy:



Uwaga! Aby zminimalizować ryzyko zranienia, użytkownik musi zapoznać się z instrukcją obsługi.

Ochrona przed porażeniem prądem elektrycznym



Ładowarka jest podwójnie izolowana; dlatego nie ma konieczności stosowania dodatkowego uziemienia. Należy zawsze upewniać się, czy napięcie zasilania jest zgodne z wartością podawaną na tabliczce znamionowej. Nigdy nie próbuj zastępować ładowarki zasilaniem sieciowym.

- ◆ Ze względów bezpieczeństwa, wymiany uszkodzonego przewodu zasilającego powinien dokonywać producent lub Autoryzowany Serwis Black & Decker.

Wyposażenie

Opisywane narzędzie wyposażone jest w kilka lub wszystkie z poniższych elementów.

1. Wyłącznik z regulacją prędkości obrotowej lub wyłącznik z dwoma nastawami prędkości
2. Przełącznik lewych / prawych obrotów
3. Przełącznik trybu pracy / pierścień nastawczy momentu obrotowego
4. Uchwyt
5. Akumulator
6. Przycisk zwalniający akumulator

Rys. C i D

7. Ładowarka
8. Gniazdo ładowarki
9. Przyłącze ładowarki
10. Wtyczka ładowarki

Montaż

Uwaga! Przed rozpoczęciem montażu należy odłączyć akumulator od narzędzia.

Montaż i demontaż akumulatora (Rys. A)

- ◆ Aby zamontować akumulator (5), należy dopasować je do mocowania w narzędziu. Docisnąć do momentu zamocowania we właściwym miejscu.
- ◆ Aby wyjąć akumulator, należy zaciśnąć blokadę (6) i jednocześnie wyciągnąć akumulator z gniazda.

Zakładanie osłonki na akumulator (Rys. B)

Uwaga! Osłonę (11) należy zakładać na akumulator (5) gdy jest on przechowywany i transportowany.

Montaż i demontaż wiertła albo końcówki wkrętarki (Rys. E)

Uwaga! Najpierw odłączyć akumulator od narzędzia.

Opisywane narzędzie wyposażone jest w uchwyt bezklykowy pozwalający na łatwą wymianę nasadek (bitów).

- ◆ Zablokować urządzenie poprzez ustawienie przełącznika lewych / prawych obrotów (2) w pozycji środkowej.
- ◆ Otworzyć uchwyt odkręcając przednią część (12) i jednocześnie trzymając drugą ręką część tylną (13).
- ◆ Wsunąć nasadę wiertła (14) w uchwyt.
- ◆ Mocno dokręcić uchwyt poprzez obrót części przedniej (12) jedną ręką, podczas gdy druga ręka przytrzymuje część tylną (13).

Demontaż i wymiana uchwytu (Rys. F)

- ◆ Maksymalnie otworzyć uchwyt.
- ◆ Odkręcić śrubę mocującą uchwyt odkręcając ją śrubokrętem zgodnie z ruchem wskazówek zegara.
- ◆ Zamocować klucz sześciokątny (15) w uchwycie i uderzyć go młotkiem, jak pokazano na rysunku.
- ◆ Wyjąć klucz sześciokątny.
- ◆ Zdjąć uchwyt odkręcając go przeciwnie do ruchu wskazówek zegara.
- ◆ Aby zamontować uchwyt, należy nakręcić go na wrzeciono i zabezpieczyć śrubą mocującą.

Pozostałe zagrożenia.

W czasie pracy elektronarzędziem mogą powstać zagrożenia, które nie zostały uwzględnione w załączonej instrukcji dotyczącej bezpiecznego użytkowania. Zagrożenia te mogą wynikać z niewłaściwego użytkowania, zbyt intensywnej eksploatacji lub innych przyczyn.

Nawet w przypadku przestrzegania zasad bezpiecznej pracy i stosowania środków ochronnych, nie jest możliwe uniknięcie pewnych zagrożeń. Należą do nich:

- ◆ **Obrażenia ciała w wyniku dotknięcia wirujących / ruchomych elementów.**
- ◆ **Obrażenia ciała podczas wymiany części, ostrzy lub akcesoriów.**
- ◆ **Obrażenia ciała wynikłe ze zbyt długotrwałego używania narzędzia. Pracując przez dłuższy czas, należy robić regularne przerwy.**
- ◆ **Ryzyko uszkodzenia słuchu.**
- ◆ **Zagrożenie dla zdrowia spowodowane wdychaniem pyłu wytwarzanego podczas użytkowania urządzenia (np.: podczas pracy**

w drewnie, szczególnie dębowym, bukowym oraz MDF).

Eksploatacja

Uwaga! Pozwól narzędziu pracować we własnym tempie. Nie przeciążaj narzędzia.

Ładowanie akumulatorów

Baterię należy naładować przed pierwszym użyciem oraz zawsze wtedy, gdy moc baterii jest niewystarczająca do wykonania typowych prac. Baterię nową lub po dłuższym okresie nie używania można naładować tylko w 80%. Po kilku cyklach naładowania i rozładowania akumulator osiągnie swoją maksymalną pojemność. Akumulatory mogą rozgrzewać się w czasie ładowania; jest to zjawisko normalne i nie świadczy o uszkodzeniu.

Uwaga! Nie wolno ładować akumulatorów, gdy temperatura otoczenia wynosi poniżej 10°C oraz powyżej 40 °C. Zaleca się ładowanie w temperaturze ok. 24 °C.

Ładowarka z gniazdem (Rys. C)

- ◆ Aby naładować akumulator (5), należy wyjąć go z narzędzia i wsunąć akumulator w gniazdo na akumulatorze (8).
- ◆ Podłączyć zasilacz (7) do gniazda zasilania. W czasie normalnego użytkowania, czas ładowania 3 godziny będzie wystarczający, aby wznowić pracę. Zależnie od typu akumulatora i warunków ładowania, dalsze ładowanie do 6 godzin może znacząco podnieść czas używania akumulatora.
- ◆ Wyjąć akumulator z ładowarki.

Ładowarka z wtyczką (Rys. D)

- ◆ Aby naładować akumulator, musi być on przyłączony do wiertarki.
- ◆ Włożyć wtyczkę ładowarki (10) do gniazda (9).
- ◆ Podłączyć zasilacz (7) do gniazda zasilania.
- ◆ Włączyć zasilanie.

W czasie normalnego użytkowania, czas ładowania 3 godziny będzie wystarczający aby wznowić pracę. Zależnie od typu akumulatora i warunków ładowania, dalsze ładowanie do 6 godzin może znacząco podnieść czas używania akumulatora.

- ◆ Odłączyć narzędzie od ładowarki.

Uwaga! Nie wolno używać urządzenia przyłączonego do ładowarki.

Wybór kierunku obrotów

Do wiercenia i wkręcania wkrętów, należy ustawić prawe obroty (zgodnie z ruchem wskazówek zegara). Aby wykrócić śrubę luz wyjąć zaklinowane wiertło, należy ustawić lewe obroty (sprzecznie z ruchem wskazówek zegara).

- ◆ Aby ustawić prawe obroty, należy przesunąć suwak przełącznika lewych / prawych obrotów (2) w lewo.
- ◆ Aby ustawić lewe obroty, należy przesunąć suwak przełącznika lewych / prawych obrotów w prawo.
- ◆ Narzędzie jest zablokowane, gdy przełącznik kierunku obrotów znajduje się w pozycji środkowej.

Wybór trybu pracy lub momentu obrotowego (Rys. G)

Narzędzie wyposażone jest w pierścień służący do wyboru trybu pracy i ustawiania momentu obrotowego przy wkręcaniu wkrętów. Wkręcanie dużych wkrętów, oraz w twarde materiały wymaga ustawienia większego momentu obrotowego niż wkręcanie małych wkrętów i w miękkie materiały. Pierścień umożliwia dobór jednej z wielu nastaw, odpowiedniej do wykonywanej pracy.

- ◆ Aby wiercić w drewnie, metalach i plastiku, należy ustawić pierścień (3) ustawiając znacznik (16) na symbolu 1.
- ◆ W przypadku wkręcania wkrętów, należy ustawić pierścień w pozycji odpowiadającej żądanemu momentowi obrotowemu. Jeśli nie jesteś pewny wyboru nastawy, postępuj zgodnie z poniższymi zaleceniami:
 - Ustaw pierścień (3) na najniższą nastawę momentu obrotowego.
 - Dokręć pierwszy wkręt.
 - Jeśli sprzęgło zadziała zanim osiągniesz pożądany efekt, zwiększ moment obrotowy obracając pierścień i spróbuj jeszcze raz dokręcić wkręt. Powtarzaj próby aż do momentu osiągnięcia odpowiedniego ustawienia. Tego ustawienia użyj do wkręcenia także reszty wkrętów.

Włączanie i wyłączanie

Wyłącznik z regulacją prędkości obrotowej

- ◆ Aby włączyć narzędzie, należy nacisnąć wyłącznik z regulacją obrotów (1). Prędkość obrotowa zależy od głębokości wciśnięcia przycisku.
- ◆ Aby wyłączyć narzędzie, należy zwolnić wyłącznik z regulacją obrotów.

Wskazówki praktyczne

Wiercenie

- ◆ W czasie wiercenia, wiertarkę należy trzymać w linii prostej i lekko dociskać.
- ◆ Tuż przed przejściem wiertła na drugą stronę wierconego elementu, należy zmniejszyć nacisk.

- ◆ Materiał, który łatwo pęka, można podeprzeć od spodu drewnianym klockiem.
- ◆ Do wiercenia w drewnie otworów o dużych średnicach należy używać otwornic.
- ◆ Do wiercenia w metalach należy używać wiertel HSS.
- ◆ Do wiercenia w murach należy używać specjalistycznych wiertel.
- ◆ W przypadku wiercenia w metalach innych niż żeliwo i mosiądz, należy stosować smary.
- ◆ Aby zwiększyć dokładność, miejsce wiercenia można napunktować.

Wkręcanie wkrętów

- ◆ Zawsze używaj właściwego typu i rozmiaru końcówek.
- ◆ Jeśli występują trudności z dokręceniem wkrętów, można spróbować nałożyć małą ilość płynu do mycia lub mydła jako smaru.
- ◆ Dbaj o proste ustawienie wkrętaka, końcówki i wkrętu.

Konserwacja

Narzędzia Black & Decker zostały zaprojektowane tak, aby zapewnić długoletnią, prawie bezobsługową, pracę urządzenia. Aby długo cieszyć się właściwą pracą urządzenia, należy odpowiednio z nim postępować i regularnie je czyścić.

Ładowarka nie wymaga, oprócz okresowego czyszczenia, żadnej dodatkowej konserwacji.

Uwaga! Przed przystąpieniem do czynności konserwacyjnych, należy odłączyć akumulator od urządzenia. Przed czyszczeniem wyjąć wtyczkę ładowarki z gniazda zasilającego.

- ◆ Otwory wentylacyjne w narzędziu i ładowarce należy okresowo czyścić przy użyciu miękkiej szczoteczki lub suchej szmatki.
- ◆ Okresowo czyścić obudowę wilgotną ściereczką. Nie wolno używać preparatów do szorowania ani na bazie rozpuszczalników.
- ◆ Okresowo należy zdemontować uchwyt wiertarski i wysypać z wnętrza gromadzący się pył.

Ochrona środowiska



Selektywna zbiórka odpadów. Opisowanego produktu nie wolno utylizować razem ze zwykłymi śmieciami z gospodarstw domowych.

Gdy okaże się, że konieczna jest wymiana posiadanego narzędzia Black & Decker lub nie będzie się go więcej używać, nie należy wyrzucać go razem ze śmieciami z gospodarstwa domowego. Należy przekazać produkt do punktu selektywnej zbiórki odpadów.



Selektywna zbiórka zużytych produktów i opakowań pozwala na recykling materiałów i ich powtórne wykorzystanie. Powtórne użycie materiałów pomaga chronić środowisko naturalne przed zanieczyszczeniem i zmniejsza zapotrzebowanie na surowce.

Lokalne prawodawstwo może zapewniać możliwość selektywnej zbiórki zużytych sprzętów elektrycznych, poprzez pozostawienie ich w punktach na miejskich wysypiskach śmieci lub u sprzedawcy przy zakupie nowego sprzętu.

Black & Decker zapewnia możliwość zbiórki i recyklingu swoich produktów po zakończeniu okresu eksploatacji. Aby skorzystać z tej możliwości, prosimy zwrócić się do jednego z Autoryzowanych Przedstawicieli Serwisowych, który odbierze je od Państwa w naszym imieniu.

Adres najbliższego Autoryzowanego Przedstawiciela Serwisowego otrzymają Państwo kontaktując się z lokalnym biurem Black & Decker, którego adres zamieszczony jest w tej instrukcji. Spis Autoryzowanych Przedstawicieli Serwisowych oraz informacje o naszym serwisie posprzedażowym, dostępne są również w Internecie na stronie: www.2helpU.com

Akumulatory



Akumulatory Black & Decker można wielokrotnie ładować. Po zakończeniu okresu eksploatacji należy je zutylizować w sposób bezpieczny dla środowiska naturalnego:

- ◆ Całkowicie wyczerpać baterię i wyjąć z urządzenia.
- ◆ Akumulatory typu NiCd, NiMH oraz Li-Ion nadają się do recyklingu. Zanieś je do Autoryzowanego Serwisu lub miejscowego punktu recyklingu.

Dane techniczne

		EPC12 (H1)	EPC14 (H1)
Napięcie	V_{AC}	12	14,4
Prędkość bez obciążenia	min^{-1}	0-750	0-750
Maksymalny moment			
obrotowy	Nm	11	12,1
Rozmiar uchwytu	mm	10	10
Maksymalna średnica wiercenia			
Stal	mm	10	10
Drewno	mm	25	25

Akumulator		A12E	A14E
Pojemność	Ah	1,2	1,2
Typ		NiCd	NiCd
Waga	kg	0,58	0,68

Deklaracja zgodności WE
DYREKTYWA MASZYNOWA



EPC12/EPC14/EPC18/EPC96

Firma Black & Decker oświadcza, że „dane techniczne” opisywanych produktów spełniają wymagania norm: 2006/42/EC, EN60745-1, EN60745-2-1

Aby otrzymać więcej informacji, należy skontaktować się z firmą Black & Decker pod adresem podanym poniżej lub na końcu instrukcji.

Osoba niżej podpisana jest odpowiedzialna za zestawienie informacji technicznych i sporządza niniejszą deklarację zgodności w imieniu firmy Black & Decker.

Kevin Hewitt
Vice-President
Global Engineering
Black & Decker Europe,
210 Bath Road, Slough,
Berkshire, SL1 3YD
Wielka Brytania
18/05/2010

Akumulator	A12NH	A14NH
Pojemność	Ah 1,5	1,5
Typ	NiMH	NiMH
Waga	kg 0,6	0,7

Ładowarka		
	90500843	90500844
	90500847	90500848
	90500855	90500856
	90500858	90500859
Napięcie zasilania	V_{AC} 230-240	230-240
Napięcie wyjściowe	V_{AC} 14,5-15,3	17,4-18,2
Natężenie	mA 210-220	200-210
Przybliżony czas ładowania	h 8-10	8-10

	EPC18 (H1)	EPC96 (H1)
Napięcie	V_{AC} 18	9,6
Prędkość bez obciążenia	min^{-1} 0-750	0-750
Maksymalny moment obrotowy	Nm 12,1	10,4
Rozmiar uchwytu	mm 10	10
Maksymalna średnica wiercenia		
Stal	mm 10	10
Drewno	mm 25	25

Akumulator	A18E	B96
Pojemność	Ah 1,2	1,2
Typ	NiCd	NiCd
Waga	kg 0,82	0,42

Akumulator	A18NH
Pojemność	Ah 1,5
Typ	NiMH
Waga	kg 0,9

Ładowarka		
	90500845	90500842
	90500849	90500846
	90500857	90500850
	90500860	90500854
Napięcie zasilania	V_{AC} 230-240	230-240
Napięcie wyjściowe	V_{AC} 21,75-22,6	11,6-12,2
Natężenie	mA 210-230	210-220
Przybliżony czas ładowania	h 8-10	8-10

Poziom ciśnienia akustycznego zgodnie z EN 60745:

Ciśnienie akustyczne (L_{pA}) 73 dB(A),
niepewność (K) 3 dB(A), Moc akustyczna (L_{WA}) 84 dB(A),
niepewność (K) 3 dB(A)

Sumaryczna wielkość drgań (suma wektorów trzech osi) zgodnie z normą EN 60745:

Wiercenie w metalu ($a_{h,D}$) < 2,5 m/s^2 ,
niepewność (K) 1,5 m/s^2 ,
Wkręcanie bez udaru ($a_{h,S}$) < 2,5 m/s^2 ,
niepewność (K) 1,5 m/s^2

Black & Decker

Warunki gwarancji:

Gwarantujemy sprawne działanie produktu, zgodnie z warunkami techniczno-eksploatacyjnymi opisanymi w instrukcji obsługi. Niniejszą gwarancją nie jest objęte wyposażenie i inne akcesoria, jeżeli nie została do nich dołączona oddzielna karta gwarancyjna oraz elementy podlegające naturalnemu zużyciu.

1. Niniejszą gwarancją objęte są usterki produktu spowodowane wadami produkcyjnymi i wadami materiałowymi.
2. Niniejsza gwarancja jest ważna po przedstawieniu przez Klienta w Centralnym Serwisie Gwarancyjnym reklamowanego produktu oraz łącznie:
 - a) poprawnie wypełnionej karty gwarancyjnej;
 - b) ważnego paragonu zakupu z datą sprzedaży taką, jak w karcie gwarancyjnej lub kopii faktury.
3. Gwarancja obejmuje bezpłatną naprawę urządzenia (wraz z bezpłatną wymianą uszkodzonych części) w okresie 24 miesięcy od daty zakupu.
4. Produkt reklamowany musi być:
 - a) dostarczony bezpośrednio do Centralnego Serwisu Gwarancyjnego wraz z poprawnie wypełnioną Kartą Gwarancyjną i ważnym paragonem zakupu (lub kopią faktury) oraz szczegółowym opisem uszkodzenia, lub
 - b) przesyłany do Centralnego Serwisu Gwarancyjnego za pośrednictwem punktu sprzedaży wraz z dokumentami wymienionymi powyżej.
5. Koszty wysyłki do Centralnego Serwisu Gwarancyjnego ponosi Black & Decker. Wszelkie koszty związane z zapewnieniem bezpiecznego opakowania, ubezpieczeniem i innym ryzykiem ponosi Klient. W przypadku odrzucenia roszczenia gwarancyjnego, produkt jest odsyłany do miejsca nadania na koszt adresata.
6. Usterki ujawnione w okresie gwarancji będą usunięte przez Centralny Serwis Gwarancyjny w terminie:
 - a) 14 dni roboczych od daty przyjęcia produktu przez Centralny Serwis Gwarancyjny;
 - b) termin usunięcia wady (punkt 6 a) może być wydłużony o czas niezbędny do importu niezbędnych części zamiennych;
7. Klient otrzyma nowy sprzęt, jeżeli:
 - a) Centralny Serwis Gwarancyjny stwierdzi na piśmie, że usunięcie wady jest niemożliwe;
 - b) produkt nie podlega naprawie, tylko wymianie bez dokonywania naprawy.
8. O ile taki sam produkt jest nieosiągalny, może być wydany nowy produkt o niegorszych parametrach.
9. Decyzja Centralnego Serwisu Gwarancyjnego odnośnie zasadności zgłaszanych usterek jest decyzją ostateczną.
10. Gwarancją nie są objęte:
 - a) wadliwe działanie lub uszkodzenia spowodowane niewłaściwym użytkowaniem lub używaniem produktu niezgodnie z przeznaczeniem, instrukcją obsługi lub przepisami bezpieczeństwa. W szczególności profesjonalne użytkowanie amatorskich narzędzi Black & Decker powoduje utratę gwarancji;
 - b) wadliwe działanie lub uszkodzenia spowodowane przeciążaniem narzędzia, które prowadzi do uszkodzeń silnika, przekładni lub innych elementów a także stosowaniem sprzętu innego niż zalecany przez Black & Decker;
 - c) mechaniczne uszkodzenia produktu i wywołane nimi wady;
 - d) wadliwe działanie lub uszkodzenia na skutek działania pożaru, powodzi, czy też innych klęsk żywiołowych, nieprzewidzianych wypadków, korozji, normalnego zużycia w eksploatacji czy też innych czynników zewnętrznych;
 - e) produkty, w których naruszone zostały plomby gwarancyjne lub, które były naprawiane poza Centralnym Serwisem Gwarancyjnym lub były przerabiane w jakikolwiek sposób;
 - f) osprzęt eksploatacyjny dołączony do urządzenia i inne elementy ulegające naturalnemu zużyciu.
11. Centralny Serwis Gwarancyjny, firmy handlowe, które sprzedały produkt, nie udzielają poważnień ani gwarancji innych niż określone w karcie gwarancyjnej. W szczególności nie obejmują prawa klienta do domagania się zwrotu utraconych zysków w związku z uszkodzeniem produktu.
12. Gwarancja nie wyłącza, nie ogranicza ani nie zawiesza uprawnień kupującego wynikających z niezgodności towaru z umową.

Centralny Serwis Gwarancyjny ERPATECH
ul. Obozowa 61, 01-418 Warszawa
tel.: (22) 862-08-08, fax: (22) 862-08-09

Použitie výrobku

Váš akumulátorový skrutkovač/vrtačka Black & Decker je určený na skrutkovanie a vŕtanie do dreva, kovov a plastov. Tento výrobok je určený len na spotrebiteľské použitie.

Bezpečnostné pokyny

Všeobecné bezpečnostné pokyny pre prácu s elektrickým náradím



Varovanie! Pozorne si prečítajte všetky bezpečnostné varovania a pokyny. Nedodržanie nižšie uvedených pokynov môže mať za následok úraz elektrickým prúdom, vznik požiaru alebo vážne poranenie.

Všetky bezpečnostné varovania a pokyny uschovajte pre prípadné ďalšie použitie. Označenie „elektrické náradie“ vo všetkých nižšie uvedených upozorneniach odkazuje na Vaše náradie napájané zo siete (obsahuje prívodný kábel) alebo náradie napájané z akumulátora (bez napájacieho kábla).

1. Bezpečnosť v pracovnom priestore

- Udržujte pracovný priestor v čistote a dobre osvetlený.** Neporiadok na pracovnom stole a nedostatok svetla v jeho okolí môže viesť k spôsobeniu nehody.
- S elektrickým náradím nepracujte vo výbušných priestoroch, ako sú napríklad priestory s výskytom horľavých kvapalín, plynov alebo prašných látok.** Náradie je zdrojom iskrenia, ktoré môže zapáliť prach alebo výpary.
- Pri práci s elektrickým náradím držte deti a okolité osoby z jeho dosahu.** Odvrátenie pozornosti môže viesť k strate kontroly nad náradím.

2. Elektrická bezpečnosť

- Zástrčka prívodného kábla náradia musí zodpovedať zásuvke. Nikdy akýmkoľvek spôsobom zástrčku neupravujte.** Pri náradí, ktoré je chránené uzemnením, nepoužívajte akékoľvek redukcie zástrčiek. Neupravené zástrčky a zodpovedajúce zásuvky znižujú riziko vzniku úrazu elektrickým prúdom.
- Vyvarujte sa dotyku s uzemnenými plochami ako je potrubie, radiátory, sporáky a chladničky.** Ak dôjde k uzemneniu Vášho tela, vzrastá riziko úrazu elektrickým prúdom.
- Nevystavujte elektrické náradie dažďu alebo vlhkému prostrediu.** Ak do náradia vnikne voda, zvýši sa riziko úrazu elektrickým prúdom.
- S prívodným káblom zaobchádzajte opatrne. Nikdy nepoužívajte prívodný kábel na**

prenášanie náradia, jeho posúvanie alebo za neho neťahajte pri odpájaní náradia od elektrickej siete. Zabráňte kontaktu kábla s horúcimi, masnými a ostrými predmetmi a pohyblivými časťami náradia. Poškodený alebo zapletený prívodný kábel zvyšuje riziko vzniku úrazu elektrickým prúdom.

- Ak pracujete s náradím vonku, používajte predlžovací kábel vhodný na použitie vo vonkajšom prostredí.** Použitie kábla určeného na vonkajšie použitie znižuje riziko úrazu elektrickým prúdom.
 - Pri práci s elektrickým náradím vo vlhkom prostredí je nevyhnutné používať prúdový chránič (RCD).** Použitie prúdového chrániča RCD znižuje riziko úrazu elektrickým prúdom.
- ### 3. Bezpečnosť osôb
- Zostaňte stále pozorní, sledujte, čo robíte a pri práci s elektrickým náradím premýšľajte. Nepoužívajte elektrické náradie, ak ste unavení alebo ak ste pod vplyvom drog, alkoholu alebo liekov.** Chvilka nepozornosti pri práci s náradím môže viesť k vážnemu úrazu.
 - Používajte prostriedky na ochranu osôb. Vždy používajte prostriedky na ochranu zraku.** Ochranné prostriedky ako sú respirátor, protišmyková pracovná obuv, pokrývka hlavy a chrániče sluchu znižujú riziko poranenia osôb.
 - Zabráňte náhodnému zapnutiu. Pred pripojením k zdroju napätia alebo pred vložením akumulátora, zdvihnutím alebo prenášaním náradia skontrolujte, či je hlavný vypínač vypnutý.** Prenášanie náradia s prstom na hlavnom vypínači alebo pripojenie prívodného kábla k elektrickému rozvodu, ak je hlavný vypínač náradia v zapnutej polohe, môže spôsobiť úraz.
 - Pred zapnutím náradia sa vždy uistite, či nie sú v jeho blízkosti kľúče alebo nastavovacie prípravky.** Ponechané kľúče môžu byť zachytené rotujúcimi časťami náradia a môžu spôsobiť úraz.
 - Neprekážajte sami sebe. Pri práci vždy udržiavajte vhodný a pevný postoj.** To umožní lepšiu ovládateľnosť náradia v neočakávaných situáciách.
 - Vhodne sa obliekajte. Nenoste voľný odev alebo šperky. Dbajte na to, aby sa Vaše vlasy, odev alebo rukavice nedostali do nebezpečnej blízkosti pohyblivých častí.** Voľný odev, šperky alebo dlhé vlasy môžu byť pohyblivými dielmi zachytené.
 - Pokiaľ je zariadenie vybavené adaptérom na pripojenie zariadení na zachytávanie prachu, zaistite jeho správne pripojenie a riadne fun-**

govanie. Použitie týchto zariadení môže znížiť nebezpečenstvo týkajúce sa prachu.

4. Použitie elektrického náradia a jeho údržba

- a. **Náradie nepreťažujte. Používajte správny typ náradia pre Vašu prácu.** Pri použití správneho typu náradia bude práca vykonaná lepšie a bezpečnejšie.
- b. **Pokiaľ nejde hlavný vypínač náradia zapnúť a vypnúť, s náradím nepracujte.** Akékoľvek náradie s nefunkčným hlavným vypínačom je nebezpečné a musí byť opravené.
- c. **Pred výmenou akýchkoľvek častí, príslušenstva či iných pripojených súčastí, pred prevádzkaním servisu alebo pokiaľ náradie nepoužívate, odpojte ho od elektrickej siete a/ alebo vyberte akumulátor.** Tieto preventívne bezpečnostné opatrenia znižujú riziko náhodného zapnutia náradia.
- d. **Pokiaľ náradie nepoužívate, uložte ho mimo dosahu detí a zabránite osobám neoboznámeným s obsluhou náradia alebo s týmto návodom, aby s náradím pracovali.** Elektrické náradie je v rukách nekvalifikovanej obsluhy nebezpečné.
- e. **Údržba náradia. Skontrolujte vychýlenie či zaseknutie pohyblivých častí, poškodenie jednotlivých dielov a iné okolnosti, ktoré môžu mať vplyv na chod náradia. Ak je náradie poškodené, nechajte ho pred použitím opraviť.** Veľa nehôd býva spôsobených nedostatocnou údržbou náradia.
- f. **Rezné nástroje udržiavajte ostré a čisté.** Riadne udržiavané rezné nástroje s ostrými reznými hranami sú menej náchylné na zanášanie nečistotami a lepšie sa s nimi manipuluje.
- g. **Náradie, príslušenstvo a nástavce používajte podľa týchto pokynov a spôsobom, ktorý je určený pre daný typ náradia. Berte do úvahy aj prevádzkové podmienky a prácu, ktorú je nutné vykonať.** Použitie náradia iným spôsobom a na iné než odporučené účely môže viesť k vzniku nebezpečných situácií.

5. Použitie akumulátorového náradia a jeho údržba

- a. **Nabíjajte iba v nabíjačke určenej výrobcom.** Nabíjačka vhodná pre jeden typ akumulátora môže pri vložení iného nevhodného akumulátora spôsobiť požiar.
- b. **Používajte výhradne akumulátory určené pre daný typ náradia.** Použitie iných akumulátorov môže spôsobiť požiar alebo zranenie.
- c. **Pokiaľ akumulátor nepoužívate, držte ho mimo dosahu kovových predmetov ako sú**

kancelárske sponky na papier, mince, kľúče, klinčeky, skrutky alebo ďalšie drobné kovové predmety, ktoré môžu spôsobiť skrat oboch svoriek akumulátora. Skratovaním kontaktov akumulátora môže dôjsť k vzniku požiaru a popálenín.

- d. **Pri nesprávnom skladovaní môže z akumulátora uniknúť kvapalina; vyvarujte sa kontaktu s touto kvapalinou. Pokiaľ prídete s kvapalinou náhodne do styku, zasiahnuté miesto omyte vodou. Pri zasiahnutí očí zasiahnuté miesto omyte a vyhľadajte lekársku pomoc.** Unikajúca kvapalina z akumulátora môže spôsobiť podráždenie pokožky alebo popáleniny.

6. Opravy

- a. **Opravy elektrického náradia zverte kvalifikovanému technikovi, ktorý používa vhodné náhradné diely.** Tak zaistíte bezpečný chod náradia.

Doplňkové bezpečnostné pokyny pre prácu s elektrickým náradím



Varovanie! Doplnkové bezpečnostné pokyny pre vrtáčky a vrtáčky s príklepom


- ♦ **Pri vrtaní s príklepom použite vhodnú ochranu sluchu.** Nadmerná hlučnosť môže spôsobiť stratu sluchu.
- ♦ **Používajte prídavné rukoväte dodávané s náradím.** Strata kontroly nad náradím môže viesť k úrazu.
- ♦ **Pri pracovných operáciách, pri ktorých by mohlo dôjsť ku kontaktu pracovného nástroja so skrytými elektrickými vodičmi, držte elektrické náradie vždy za izolované rukoväti.** Pri kontakte pracovného nástroja so „živým“ vodičom spôsobia neizolované kovové časti náradia obsluhu úraz elektrickým prúdom
- ♦ **Pri pracovných operáciách, pri ktorých by mohlo dôjsť ku kontaktu montážneho prvku so skrytými elektrickými vodičmi, držte elektrické náradie vždy za izolované rukoväti.** Montážne prvky, ktoré sa dostanú do kontaktu so „živým“ vodičom, spôsobia, že neizolované kovové časti elektrického náradia budú tiež „živé“, čo môže obsluhu spôsobiť úraz elektrickým prúdom.
- ♦ **Obrobok si k pevnej podložke upnite pomocou svoriek či iným vhodným spôsobom.** Držanie obrobku rukou alebo jeho pritlačenie k telu spôsobí, že uchytenie bude nestabilné a môže viesť ku strate kontroly nad náradím.
- ♦ **Pred vrtaním do stien, podláh alebo stropov zistite polohu skrytých elektrických vedení a rúrok.**

- ◆ Nedotýkajte sa vrtáku bezprostredne po vŕtaní, môže byť horúci.
- ◆ Tento prístroj nie je určený na použitie osobami (vrátane detí) so zníženými fyzickými, zmyslovými alebo duševnými schopnosťami, alebo s nedostatkom skúseností a znalostí, pokiaľ tieto osoby nepracujú pod dohľadom, alebo pokiaľ im neboli poskytnuté inštrukcie týkajúce sa použitia prístroja osobou zodpovednou za ich bezpečnosť. Deti by mali byť pod dozorom, aby sa s náradím nehrali.
- ◆ Použitie tohto náradia je popísané v tomto návode. Použitie akéhokoľvek iného príslušenstva alebo prídavných zariadení, alebo akéhokoľvek iné využitie tohto náradia, než je popísané v tomto návode na použitie, môže predstavovať riziko zranenia osôb alebo spôsobenie hmotných škôd.

Ďalšie bezpečnostné pokyny pre akumulátory a nabíjačky


Akumulátory



- ◆ Nikdy sa nepokúšajte akumulátory zo žiadneho dôvodu rozoberať.
- ◆ Nevystavujte akumulátor pôsobeniu tepla.
- ◆ Neskladujte akumulátory na miestach, kde môže teplota prekročiť 40 °C.
- ◆ Dobíjajte iba pri okolitej teplote 10 °C až 40 °C.
- ◆ Nabíjajte akumulátor iba v nabíjačke, ktorá bola dodaná s týmto náradím.
- ◆ Ak chcete akumulátor zlikvidovať, dodržujte pokyny uvedené v časti „Ochrana životného prostredia“.

 Nepokúšajte sa nabíjať poškodený akumulátor.

Nabíjačky

- ◆ Používajte nabíjačku Black & Decker len na nabíjanie akumulátora, ktorý bol dodaný s týmto náradím. Ostatné typy akumulátorov môžu prasknúť, spôsobiť poranenie alebo iné škody.
- ◆ Nikdy sa nepokúšajte nabíjať štandardné batérie.
- ◆ Poškodený prívodný kábel ihneď vymeňte.
- ◆ Nevystavujte nabíjačku pôsobeniu vody.
- ◆ Nabíjačku nikdy neotvárajte.
- ◆ Nepokúšajte sa nabíjačku rozoberať.

 Nabíjačka nie je určená na vonkajšie použitie.


 Pred použitím náradia si prečítajte starostlivo tento návod.



Ak je okolitá teplota príliš vysoká, nabíjačka sa automaticky vypne. Tepelná poisťka proti preťaženiu je účinná iba raz a potom sa musí vymeniť.

Vibrácie

Deklarovaná úroveň vibrácií uvedená v technických údajoch a v prehlásení o zhode bola meraná v súlade so štandardnou skúšobnou metódou predpísanou normou EN 60745 a môže sa použiť na porovnanie jednotlivých náradí medzi sebou. Deklarovaná úroveň vibrácií môže byť tiež použitá na predbežné stanovenie času práce s týmto výrobkom.

Varovanie! Úroveň vibrácií pri aktuálnom použití elektrického náradia sa môže od deklarovanej úrovne vibrácií líšiť v závislosti od spôsobu použitia výrobku. Úroveň vibrácií môže byť oproti uvedenej hodnote vyššia.

Pri stanovení času vystavenia sa vibráciám a určení bezpečnostných opatrení podľa normy 2002/44/EC na ochranu osôb pravidelne používajúcich elektrické náradie v zamestnaní by mal predbežný odhad pôsobenia vibrácií brať do úvahy aktuálne podmienky použitia náradia s prihliadnutím na všetky časti pracovného cyklu, ako aj času, počas ktorého je náradie vypnuté a kedy beží naprázdno.

Štítky na náradí

Na náradí sa nachádzajú nasledujúce piktogramy:



Varovanie! Pre zníženie rizika vzniku úrazu musí byť obsluha oboznámená s týmto návodom na obsluhu.

Elektrická bezpečnosť



Vaša nabíjačka je chránená dvojistou izoláciou; Preto nie je nutné použitie uzemňovacieho vodiča. Vždy skontrolujte, či napätie v sieti zodpovedá napätiu na výrobnom štítku náradia. Nikdy sa nepokúšajte nahradiť nabíjačku bežnou sieťovou zástrčkou.

- ◆ Poškodený prívodný kábel musí byť vymenený výrobcom alebo zástupcom značkového servisu firmy Black & Decker.

Popis

Toto náradie sa skladá z niektorých alebo so všetkých nasledujúcich častí.

1. Vypínač s reguláciou otáčok alebo dvojrychlostný vypínač
2. Prepínač praveho / ľavého chodu
3. Volič režimu / objímka pre nastavenie krútiaceho momentu

4. Skľučovadlo
5. Akumulátor
6. Tlačidlo na uvoľnenie akumulátora

Obr. C a D

7. Nabíjačka
8. Lôžko nabíjačky
9. Otvor pripojenia nabíjačky
10. Pripájací konektor nabíjačky

Nastavenie

Varovanie! Pred montovaním z náradia vyberte akumulátor.

Nasadenie a vybratie akumulátora (obr. A)

- ♦ Ak chcete akumulátor (5) nasadiť, zarovnajte ho s miestom jeho uloženia na náradí. Nasuňte akumulátor do jeho lôžka na náradí a zatlačte naň tak, aby došlo k jeho zaisteniu v správnej polohe.
- ♦ Ak chcete akumulátor z náradia zložiť, stlačte uvoľňovacie tlačidlo (6) a súčasne akumulátor z lôžka na náradí stiahnite.

Upevnenie krytu kontaktov akumulátora (obr. B)

Varovanie! Kryt (11) upevnite na akumulátor (5) pri preprave a skladovaní.

Upevnenie a vybratie nástroja (obr. E)

Varovanie! Najprv vyberte z náradia akumulátor.

Pre jednoduchú výmenu nástrojov je toto náradie vybavené rýchlopínacím skľučovadlom.

- ♦ Ak chcete náradie zablokovať, nastavte prepínač chodu do stredovej polohy (2).
- ♦ Roztvorte skľučovadlo tak, že jednou rukou budete otáčať prednou časťou (12) a druhou rukou budete pridržovať zadnú časť (13).
- ♦ Vložte nástroj (14) do skľučovadla.
- ♦ Pevne dotiahnite skľučovadlo otáčaním prednej časti (12) jednou rukou, zatiaľ čo druhou rukou pridržujete jeho zadnú časť (13).

Zloženie a nasadenie skľučovadla (obr. F)

- ♦ Roztvorte čeluste skľučovadla čo najviac.
- ♦ Odskrutkujte v smere pohybu hodinových ručičiek pridrznú skrutku skľučovadla umiestnenú vnútri.
- ♦ Do skľučovadla upnite imbusový kľúč (15) a udrite doňho kladivom tak, ako je znázornené na obrázku.
- ♦ Imbusový kľúč vyberte.
- ♦ Otáčaním proti smeru pohybu hodinových ručičiek skľučovadlo vyskrutkujte.
- ♦ Skľučovadlo nasadíte späť tak, že ho naskrutkujete na hriadeľ a zaistíte pridrznou skrutkou.

Zvyškové riziká.

Ak sa náradie používa iným spôsobom, než je uvedené v priložených bezpečnostných varovaniach, môžu sa objaviť dodatočné zvyškové riziká. Tieto riziká môžu vzniknúť v dôsledku nesprávneho použitia, dlhodobého použitia atď.

Napriek tomu, že sa dodržiavajú príslušné bezpečnostné predpisy a používajú sa bezpečnostné zariadenia, určité zvyškové riziká sa nemôžu vylúčiť. Tieto riziká sú nasledujúce:

- ♦ Zranenia spôsobené kontaktom s akoukoľvek rotujúcou alebo pohybujúcou sa časťou.
- ♦ Zranenia spôsobené pri výmene dielov, pracovného nástroja alebo príslušenstva.
- ♦ Zranenia spôsobené dlhodobým použitím náradia. Ak používate akékoľvek náradie dlhší čas, zaistíte, aby sa robili pravidelné prestávky.
- ♦ Poškodenie sluchu.
- ♦ Zdravotné riziká spôsobené vdychovaním prachu vytváraného pri použití náradia (príklad: - práca s drevom, najmä s dubovým, bukovým a MDF).

Použitie

Varovanie! Nechajte náradie pracovať jeho vlastným tempom. Zamedzte preťažovaniu náradia.

Nabíjanie akumulátora

Akumulátor je nutné nabiť pred prvým použitím a zakaždým, keď jeho výkon poklesne a nie je možné prevádzať práce, ktoré sa dajú robiť pri plnom nabití. Ak nabijete akumulátor po prvý raz alebo po dlhodobom uskladnení, dôjde k jeho nabitiu zhruba na 80% celkovej kapacity. Po prevedení niekoľkých nabíjaciech cyklov dosiahne akumulátor svoju plnú kapacitu. Pri nabíjaní dochádza k zahrievaniu akumulátora; ide o bežný jav, ktorý neznamená žiadnu poruchu.

Varovanie! Nenabíjajte akumulátor pri teplotách pod 10 °C alebo nad 40 °C. Odporúčaná teplota pri nabíjaní je približne 24 °C.

Nabíjačka s lôžkom (obr. C)

- ♦ Akumulátor (5) nabijete tak, že ho vyberiete z náradia a nasuniete ho do lôžka nabíjačky (8).
 - ♦ Pripojte nabíjačku (7) k sieti.
- Po bežnom použití poskytne 3-hodinové nabíjanie dostatočný výkon pre väčšinu aplikácií. Predĺženie času nabíjania až na 6 hodín však významne predĺži prevádzkovú dobu náradia (tá však tiež záleží od stavu akumulátora a od podmienok nabíjania).
- ♦ Vyberte akumulátor z nabíjačky.

Nabíjačka s nabíjacím konektorom (obr. D)

- ♦ Pri nabíjaní sa uistite, či je akumulátor pripojený k náradíu.
- ♦ Konektor nabíjačky (10) zasuňte do otvoru pripojenia nabíjačky (9).
- ♦ Pripojte nabíjačku (7) k sieti.
- ♦ Zapnite prívod napätia.

Po bežnom použití poskytne 3-hodinové nabíjanie dostatočný výkon pre väčšinu aplikácií. Predĺženie času nabíjania až na 6 hodín však významne predĺži prevádzkovú dobu náradia (tá však tiež závisí od stavu akumulátora a od podmienok nabíjania).

- ♦ Náradie odpojte z nabíjačky.

Varovanie! S náradím nepracujte, ak je pripojené k nabíjačke.

Voľba smeru otáčania

Pri vrtaní a doťahovaní skrutiek nastavte chod smerom vpred (otáčanie v smere hodinových ručičiek). Na uvoľňovanie skrutiek a zaseknutých vrtákov použite ľavý chod (proti smeru pohybu hodinových ručičiek).

- ♦ Ak chcete zvoliť smer otáčania dopredu, posuňte prepínač pravého /ľavého chodu (2) smerom doľava.
- ♦ Ak chcete zvoliť spätný chod, zatlačte prepínač chodu vpred/vzad smerom doprava.
- ♦ Ak chcete náradie zablokovať, presuňte prepínač chodu do stredovej polohy.

Voľba pracovného režimu alebo krútiaceho momentu (obr. G)

Toto náradie je vybavené objímkou pre voľbu pracovného režimu a nastavenie krútiaceho momentu pri doťahovaní skrutiek. Skrutky veľkých rozmerov a polotovary z tvrdých materiálov vyžadujú nastavenie väčšieho krútiaceho momentu. Objímka umožňuje široké rozpätie nastavenia krútiacich momentov podľa vašich potrieb.

- ♦ Pre vrtanie do dreva, kovu a plastov nastavte volič režimu / objímku nastavenia krútiaceho momentu (3) do danej polohy pre vrtanie tak, že zarovnáte symbol 1 so značkou (16).
- ♦ Pri skrútkovaní nastavte volič do požadovanej polohy. Ak nepoznáte ešte vhodné nastavenie, postupujte nasledovne:
 - Nastavte objímku (3) na najmenšiu hodnotu krútiaceho momentu.
 - Pritiahnite prvú skrutku.
 - Ak začne spojka pred dosiahnutím požadovaného výsledku preklzávať, zväčšite hodnotu krútiaceho momentu nastavením objímky do ďalšej polohy a pokračujte v doťahovaní skrutky. Opakujte tento postup, kým nedosiahnete správne nastavenie.

Dotiahnite ostatné skrutky pri použití rovnakého nastavenia krútiaceho momentu.

Zapnutie a vypnutie**Prepínač rýchlostí**

- ♦ Náradie zapnete stlačením vypínača s reguláciou otáčok (1). Otáčky náradia závisia na intenzite stlačenia tohto vypínača.
- ♦ Náradie vypnete tak, že uvoľníte stlačenie hlavného vypínača s reguláciou otáčok.

Rady pre optimálne použitie náradia**Vrtanie**

- ♦ Vytvárate na náradie mierny tlak v smere zhodnom s osou vrtáku.
- ♦ Tesne pred preniknutím špičky vrtáku druhou stranou povrchu obrobku zmenšite tlak vyvíjaný na náradie.
- ♦ Aby nedochádzalo pri prieniku vrtáku k rozštípeniu alebo tvorbe triesok na povrchu obrobku, podložte ho kúskom dreva.
- ♦ Pri vrtaní otvorov s väčším priemerom do dreva použite špeciálne nadstavce.
- ♦ Pri vrtaní do kovu používajte vrtáky s rýchlo-reznej ocele (HSS).
- ♦ Pri vrtaní do muriva použite vídiové vrtáky.
- ♦ Ak nevtáate do liatiny alebo do mosadze, používajte pri vrtaní kovov mazivo.
- ♦ Na zvýšenie presnosti si vždy uprostred diery, ktorú chcete vrtáť, označte na obrobku pomocou dierkovača vodiaci otvor.

Skrútkovanie

- ♦ Vždy používajte správny typ a veľkosť skrútkovacieho nástavca.
- ♦ Ak nejdú skrutky správne pritiahnuť, použite ako mazivo malé množstvo saponátu alebo mydlového roztoku.
- ♦ Vždy držte náradie so skrútkovacím nastavcom v jednej osi so skrutkou.

Údržba

Vaše náradie Black & Decker bolo skonštruované tak, aby pracovalo čo najdlhšie s minimálnymi nárokmi na údržbu. Predpokladom jeho dlhodobej bezproblémovej funkcie je jeho pravidelné čistenie a starostlivosť.

Vaša nabíjačka nevyžaduje žiadnu údržbu okrem pravidelného čistenia.

Varovanie! Pred prevádzkaním akejkoľvek údržby vytiahnite z náradia akumulátor. Pred čistením odpojte nabíjačku vždy od siete.

- ♦ Vetracie otvory vášho prístroja pravidelne čistite mäkkou kefkou alebo suchou handričkou.
- ♦ Pravidelne čistite kryt motora vlhkou handričkou. Nepoužívajte na čistenie abrazívne prostriedky ani rozpúšťadlá.
- ♦ Pravidelne otvárajte skľučovadlo a poklepaním odstráňte prach z vnútornej časti náradia.

Ochrana životného prostredia



Triedený odpad. Toto zariadenie nesmie byť vyhodené do bežného domového odpadu.

Jedného dňa zistíte, že náradie Black & Decker musíte vymeniť alebo ho nebudete ďalej používať. V tomto prípade myslíte na ochranu životného prostredia a nevyhadzujte prístroj do domáceho odpadu. Odovzdajte výrobok do miestnej zberne triedeného odpadu.



Triedený odpad umožňuje recykláciu a opätovné využitie použitých výrobkov a obalových materiálov. Opätovné použitie recyklovaných materiálov pomáha chrániť životné prostredie pred znečistením a znižuje spotrebu surovín.

Pri zakúpení nových výrobkov Vám miestne zberne odpadov, recyklačné stanice alebo predajne poskytnú informácie o správnej likvidácii elektroodpadov z domácnosti.

Black & Decker poskytuje službu odberu a recyklácie výrobkov Black & Decker po uplynutí lehoty ich technickej životnosti. Ak chcete získať výhody tejto služby, odovzdajte prosím vaše náradie akémukoľvek autorizovanému zástupcovi servisu Black & Decker, ktorý náradie odoberie a zaistí jeho recykláciu.

Miesto vašej najbližšej autorizovanej servisnej pobočky Black & Decker sa dozviete na príslušnej adrese uvedenej na zadnej strane tejto príručky. Prehľad autorizovaných servisov Black & Decker a rovnako ďalšie informácie týkajúce sa nášho popredajného servisu môžete nájsť tiež na internetovej adrese: www.2helpU.com

Akumulátory



Akumulátory Black & Decker sa môžu mnohokrát nabíjať. Po ukončení ich životnosti ich zlikvidujte tak, aby nedošlo k ohrozeniu životného prostredia:

- ♦ Nechajte náradie v chode, pokiaľ nedôjde k úplnému vybitiu akumulátora a potom ho vyberte z náradia.

- ♦ Akumulátory Li-Ion, NiCd a NiMH je možné recyklovať. Odovzdajte ich ktorémukoľvek servisnému stredisku alebo do miestnej zberne, kde budú recyklované alebo zlikvidované tak, aby nedošlo k ohrozeniu životného prostredia.

Technické údaje

		EPC12 (H1)	EPC14 (H1)
Napájacie napätie	V_{DC}	12	14,4
Otáčky naprázdno	min^{-1}	0-750	0-750
Max. moment	Nm	11	12,1
Maximálny priemer skľučovadla	mm	10	10
Maximálny priemer vrtáka			
Oceľ	mm	10	10
Drevo	mm	25	25

Akumulátor		A12E	A14E
Kapacita	Ah	1,2	1,2
Typ		NiCd	NiCd
Hmotnosť	kg	0,58	0,68

Akumulátor		A12NH	A14NH
Kapacita	Ah	1,5	1,5
Typ		NiMH	NiMH
Hmotnosť	kg	0,6	0,7

Nabíjačka

		90500843	90500844
		90500847	90500848
		90500855	90500856
		90500858	90500859
Napájacie napätie	V_{AC}	230-240	230-240
Výstupné napätie	V_{DC}	14,5-15,3	17,4-18,2
Prúd	mA	210-220	200-210
Približný čas nabíjania	hod.	8-10	8-10

		EPC18 (H1)	EPC96 (H1)
Napájacie napätie	V_{DC}	18	9,6
Otáčky naprázdno	min^{-1}	0-750	0-750
Max. moment	Nm	12,1	10,4
Maximálny priemer skľučovadla	mm	10	10
Maximálny priemer vrtáka			
Oceľ	mm	10	10
Drevo	mm	25	25

Akumulátor		A18E	B96
Kapacita	Ah	1,2	1,2
Typ		NiCd	NiCd
Hmotnosť	kg	0,82	0,42

Akumulátor		A18NH	
Kapacita	Ah	1,5	
Typ		NiMH	
Hmotnosť	kg	0,9	

Nabíjačka

		90500845	90500842
		90500849	90500846
		90500857	90500850
		90500860	90500854
Napájacie napätie	V_{AC}	230-240	230-240
Výstupné napätie	V_{DC}	21,75-22,6	11,6-12,2
Prúd	mA	210-230	210-220
Približný čas nabíjania	hod.	8-10	8-10

Hladina akustického tlaku podľa normy EN 60745:

Akustický tlak (L_{pA}) 73 dB(A), odchýlka (K) 3 dB(A),
Akustický výkon (L_{WA}) 84 dB(A), odchýlka (K) 3 dB(A)

Celková úroveň vibrácií (priestorový vektorový súčet) podľa normy EN 60745:

Vrútenie do kovu ($a_{h,D}$) < 2,5 m/s², odchýlka (K) 1,5 m/s²,
Skrutkovanie bez rázov ($a_{h,S}$) < 2,5 m/s²,
odchýlka (K) 1,5 m/s²

ES Vyhlásenie o zhode

SMERNICA PRE STROJOVÉ ZARIADENIA



EPC12/EPC14/EPC18/EPC96

Spoločnosť Black & Decker vyhlasuje, že tieto produkty popisované v technických údajoch spĺňajú požiadavky nasledujúcich noriem: 2006/42/EC, EN60745-1, EN60745-2-1

Ak chcete získať ďalšie informácie, kontaktujte, prosím, spoločnosť Black & Decker na tejto adrese alebo na adresách, ktoré sú uvedené na konci tohto návodu.

Nižšie podpísaná osoba je zodpovedná za zostavenie technických údajov a vydáva toto prehlásenie v zastúpení spoločnosti Black & Decker.

Kevin Hewitt

Viceprezident pre
spotrebiteľskú techniku
Black & Decker Europe,
210 Bath Road, Slough,
Berkshire, SL1 3YD
United Kingdom
18/05/2010

Záruka

Spoločnosť Black & Decker dôveruje kvalite svojho vlastného náradia a poskytuje kupujúcemu mimoriadnu záruku. Táto záruka je nadštandardná a v žiadnom prípade nepoškodzuje Vaše zákonné práva. Táto záruka platí vo všetkých členských štátoch EÚ a Európskej zóny voľného obchodu EFTA.

Ak sa na výrobku Black & Decker objavia, v priebehu 24 mesiacov od zakúpenia, akékoľvek materiálové či výrobné chyby, garantujeme, v snahe o minimalizovanie Vašich starostí, bezplatnú výmenu chybných dielcov, opravu alebo výmenu celého výrobku za nižšie uvedených podmienok:

- ♦ Výrobok nebol používaný na obchodné alebo profesionálne účely a nedochádzalo k jeho prenájomu.
- ♦ Výrobok nebol vystavený nesprávnemu použitiu a nebola zanedbaná jeho predpísaná údržba.
- ♦ Výrobok nebol poškodený cudzím zavinením.
- ♦ Neboli vykonávané opravy výrobku inými osobami než pracovníkmi značkového servisu Black & Decker.

Pri uplatňovaní reklamácie je nutné predajcovi alebo servisnému stredisku predložiť doklad o nákupe výrobku. Miesto Vašej najbližšej autorizovanej servisnej pobočky Black & Decker sa dozviete na príslušnej adrese uvedenej na zadnej strane tejto príručky. Zoznam autorizovaných servisov Black & Decker a podrobnosti o popredajnom servise nájdete tiež na internetovej adrese:

www.2helpU.com

Navštívte našu internetovú adresu

www.blackanddecker.sk a zaregistrujte si Váš výrobok Black & Decker. Budete tak mať neustále prehľad o nových výrobkoch a špeciálnych ponukách. Ďalšie informácie o značke Black & Decker a o našom výrobnom programe získate na internetovej adrese **www.blackanddecker.sk**

Назначение

Ваша дрель/шуруповерт Black & Decker предназначена для выполнения работ по заворачиванию и сверлению в дереве, металле и пластике. Этот инструмент предназначен только для бытового использования.

Инструкции по безопасности

Общие правила безопасности при работе с электроинструментами



Внимание! Перед началом работы внимательно прочтите все правила безопасности и инструкции по эксплуатации. Несоблюдение приведенных ниже правил безопасности и инструкций может привести к поражению электрическим током, возникновению пожара и/или получению серьезной травмы.

Сохраняйте все инструкции и правила безопасности для дальнейшего пользования. Термин “Электроинструмент” во всех приведенных ниже указаниях относится к Вашему сетевому (с кабелем) электроинструменту или аккумуляторному (беспроводному) электроинструменту.

1. Безопасность рабочего места

- а. **Содержите рабочее место в чистоте и обеспечьте хорошее освещение.** Беспорядок на рабочем месте и плохая освещенность могут привести к несчастному случаю.
- б. **Не используйте электроинструмент, если есть опасность возгорания или взрыва, например, вблизи легко воспламеняющихся жидкостей, газов или пыли.** В процессе работы электроинструмента появляются искры, которые могут воспламенить пыль или пары.
- в. **Не подпускайте близко детей или посторонних лиц во время работы электроинструментом.** Вы можете отвлечься и потерять контроль над электроинструментом.

2. Электробезопасность

- а. **Вилка кабеля электроинструмента должна подходить к сетевой розетке.** Ни в коем случае не вносите изменения в конструкцию вилки электрокабеля. Не пользуйтесь адаптерной вставкой для подключения заземленных электроинструментов. Немодифицированные вилки и подходящие к ним сетевые розетки снижают риск поражения электрическим током.

- б. **Избегайте контактов частей тела с заземленными объектами, например, трубопроводами, радиаторами отопления, электроплитами и холодильниками.** Существует повышенный риск поражения электрическим током, если вы какой-либо частью тела касаетесь земли.
 - в. **Не подвергайте электроинструмент воздействию дождя или влаги.** Попадание жидкости внутрь электроинструмента повышает риск поражения электрическим током.
 - г. **Бережно обращайтесь с кабелем. Ни в коем случае не переносите электроинструмент, держа его за кабель, и не беритесь за кабель при отключении от сетевой розетки. Не подвергайте кабель воздействию влаги и масла и держите его подальше от острых кромок и движущихся деталей.** Поврежденные или перекрученные кабели повышают риск поражения электрическим током.
 - д. **При работе электроинструментом вне помещения пользуйтесь удлинительным кабелем, предназначенным для наружных работ.** Использование кабеля, предназначенного для работы вне помещения, снижает риск поражения электрическим током.
 - е. **При необходимости работы электроинструментом во влажном помещении используйте источник питания, оборудованный устройством защитного отключения (УЗО).** Использование УЗО снижает риск поражения электрическим током.
- #### 3. Личная безопасность
- а. **При работе с электроинструментами будьте внимательны, следите за тем, что Вы делаете, и руководствуйтесь здравым смыслом. Не используйте электроинструмент, если Вы устали, а также находите под действием алкоголя или понижающих реакцию лекарственных препаратов и других средств.** Малейшая неосторожность при работе с электроинструментами может привести к серьезной травме.
 - б. **При работе используйте средства индивидуальной защиты. Всегда надевайте защитные очки.** Своевременное использование защитного снаряжения, а именно: пылезащитной маски, ботинок на нескользящей подошве, защитного шлема или противощумных наушников, значительно снизит риск получения травмы.

- в. Не допускайте случайного запуска. Перед тем, как подключить электроинструмент к сети и/или аккумулятору, поднять или перенести его, убедитесь, что выключатель находится в положении “выключено”. Не переносите электроинструмент с нажатой кнопкой выключателя и не подключайте к сетевой розетке электроинструмент, выключатель которого установлен в положение “включено”. Это может привести к несчастному случаю.**
- г. Перед включением электроинструмента снимите с него все регулировочные или гаечные ключи.** Регулировочный или гаечный ключ, оставленный закрепленным на вращающейся части электроинструмента, может стать причиной тяжелой травмы.
- д. Не допускайте перенапряжения. Всегда твердо стойте на ногах, сохраняя равновесие.** Это позволит Вам не потерять контроль при работе с электроинструментом в непредвиденной ситуации.
- е. Одевайтесь соответствующим образом. Во время работы не надевайте свободную одежду или украшения. Следите за тем, чтобы Ваши волосы, одежда или перчатки находились в постоянном отдалении от движущихся частей инструмента.** Свободная одежда, украшения или длинные волосы могут попасть в движущиеся части инструмента.
- е. Если электроинструмент снабжен устройством сбора и удаления пыли, убедитесь, что данное устройство подключено и используется надлежащим образом.** Использование устройства пылеудаления значительно снижает риск возникновения несчастного случая, связанного с запыленностью рабочего пространства.
- 4. Использование электроинструментов и технический уход**
- а. Не перегружайте электроинструмент. Используйте Ваш инструмент по назначению.** Электроинструмент работает надежно и безопасно только при соблюдении параметров, указанных в его технических характеристиках.
- б. Не используйте электроинструмент, если его выключатель не устанавливается в положение включения или выключения.** Электроинструмент с неисправным выключателем представляет опасность и подлежит ремонту.
- в. Отключайте электроинструмент от сетевой розетки и/или извлекайте аккумуляторную батарею перед регулированием, заменой принадлежностей или при хранении электроинструмента.** Такие меры предосторожности снижают риск случайного включения электроинструмента.
- г. Храните неиспользуемые электроинструменты в недоступном для детей месте и не позволяйте лицам, не знакомым с электроинструментом или данными инструкциями, работать с электроинструментом.** Электроинструменты представляют опасность в руках неопытных пользователей.
- д. Регулярно проверяйте исправность электроинструмента. Проверяйте точность совмещения и легкость перемещения подвижных частей, целостность деталей и любых других элементов электроинструмента, воздействующих на его работу. Не используйте неисправный электроинструмент, пока он не будет полностью отремонтирован.** Большинство несчастных случаев являются следствием недостаточного технического ухода за электроинструментом.
- е. Следите за остротой заточки и чистой режущих принадлежностей.** Принадлежности с острыми кромками позволяют избежать заклинивания и делают работу менее утомительной.
- ж. Используйте электроинструмент, аксессуары и насадки в соответствии с данным Руководством и с учетом рабочих условий и характера будущей работы.** Использование электроинструмента не по назначению может создать опасную ситуацию.
- 5. Использование и уход за аккумуляторным инструментом**
- а. Заряжайте аккумулятор зарядным устройством указанной производителем марки.** Зарядное устройство, которое подходит к одному типу аккумулятора, может создать риск возгорания в случае его использования с аккумулятором другого типа.
- б. Используйте электроинструменты только с предназначенными для них аккумуляторами.** Использование аккумулятора какой-либо другой марки может привести к возникновению пожара и получению травмы.
- в. Держите неиспользуемый аккумулятор подальше от металлических предметов,**


таких как скрепки, монеты, ключи, гвозди, шурупы, и других мелких металлических предметов, которые могут замкнуть контакты аккумулятора. Короткое замыкание контактов аккумулятора может привести к получению ожогов или возникновению пожара.

г. В критических ситуациях из аккумулятора может вытечь жидкость (электролит), избегайте контакта с кожей. Если жидкость все же попала на кожу, промойте ее проточной водой. Если жидкость попала в глаза, обратитесь за медицинской помощью. Вытекающая из аккумулятора жидкость вызывает раздражение или ожоги.

6. Техническое обслуживание

а. Ремонт Вашего электроинструмента должен производиться только квалифицированными специалистами с использованием оригинальных запасных частей. Это обеспечит безопасность Вашего электроинструмента в дальнейшей эксплуатации.

Дополнительные меры безопасности при работе электроинструментами

 **Внимание!** Дополнительные меры безопасности при работе дрелями/ударными дрелями

- ♦ При работе ударной дрелью используйте слухозащитные приспособления. Воздействие шума может привести к потере слуха.
- ♦ Пользуйтесь дополнительными рукоятками, прилагающимися к инструменту. Потеря контроля над инструментом может привести к тяжелой травме.
- ♦ Держите инструмент за изолированные ручки при выполнении операций, во время которых режущий инструмент может соприкоснуться со скрытой проводкой. Контакт режущей принадлежности с находящимся под напряжением проводом делает не покрытые изоляцией металлические части электроинструмента «живыми», что создает опасность поражения оператора электрическим током.
- ♦ Держите инструмент за изолированные ручки при выполнении операций, во время которых крепежная деталь может соприкоснуться со скрытой проводкой. Контакт крепежных элементов с находящимся под напряжением проводом делает не покрытые изоляцией металлические

части электроинструмента «живыми», что создает опасность поражения оператора электрическим током.

- ♦ Используйте тиски или другие приспособления для фиксации обрабатываемой детали, при этом кладите ее на неподвижную поверхность. Если держать обрабатываемую деталь руками или с упором в собственное тело, то можно потерять контроль над инструментом или обрабатываемой деталью.
- ♦ Прежде, чем сверлить отверстия в стенах, полах или потолках, проверьте их на наличие электропроводки и трубопроводов.
- ♦ Не дотрагивайтесь до наконечника сверла сразу же после окончания сверления, так как он может быть горячим.
- ♦ Использование инструмента физически или умственно неполноценными людьми, а также детьми и неопытными лицами, допускается только под контролем ответственного за их безопасность лица. Всегда следите, чтобы дети не играли с устройством.
- ♦ Назначение инструмента описывается в данном руководстве по эксплуатации. Используйте все насадки и приспособления и работайте данным инструментом строго в соответствии с данным руководством. Использование не по назначению может привести к серьезной травме и повреждению инструмента или обрабатываемого изделия.

Дополнительные меры безопасности при работе с аккумуляторами и зарядными устройствами

Аккумуляторы

- ♦ Ни в коем случае не пытайтесь разобрать аккумулятор.
- ♦ Не подвергайте аккумулятор воздействию влаги.
- ♦ Не храните в местах, где температура может превысить 40 °С.
- ♦ Заряжайте аккумулятор при температуре окружающей среды в пределах 10 °С...40 °С.
- ♦ Заряжайте только зарядными устройствами, входящими в комплект поставки электроинструмента.
- ♦ Утилизируйте отработанные аккумуляторы, следуя инструкциям раздела "Защита окружающей среды".



Не пытайтесь заряжать поврежденные аккумуляторы.

Зарядные устройства

- ◆ Используйте Ваше зарядное устройство Black & Decker только для зарядки аккумулятора электроинструмента, в комплект поставки которого он входит. Другие аккумуляторы могут взорваться, что приведет к получению травмы или повреждению электроинструмента.
- ◆ Ни в коем случае не пытайтесь зарядить батарейки питания.
- ◆ Немедленно заменяйте поврежденный кабель.
- ◆ Не подвергайте зарядное устройство воздействию влаги.
- ◆ Не разбирайте зарядное устройство.
- ◆ Не касайтесь токопроводящими предметами контактов зарядного устройства.



Зарядное устройство предназначено только для использования внутри помещений.



Перед использованием обязательно прочитайте руководство по эксплуатации.



Зарядное устройство автоматически выключается, если температура окружающей среды становится слишком высокой. Термовыключатель срабатывает только один раз, после чего его требуется полностью заменить.

Вибрация

Значения уровня вибрации, указанные в технических характеристиках инструмента и декларации соответствия, были измерены в соответствии со стандартным методом определения вибрационного воздействия согласно EN 60745 и могут использоваться при сравнении характеристик различных инструментов. Указанные значения уровня вибрации могут также использоваться для предварительной оценки величины вибрационного воздействия.

Внимание! Значения вибрационного воздействия при работе электроинструментом зависят от вида работ, выполняемых данным инструментом, и могут отличаться от заявленных значений. Уровень вибрации может превышать заявленное значение.

При оценке степени вибрационного воздействия для определения необходимых защитных мер (2002/44/ЕС) для людей, использующих в про-

цессе работы электроинструмента, необходимо принимать во внимание действительные условия использования электроинструмента, учитывая все составляющие рабочего цикла, в том числе время, когда инструмент находится в выключенном состоянии, и время, когда он работает без нагрузки, а также время его запуска и отключения.

Маркировка инструмента

На инструменте имеются следующие знаки:



Внимание! Внимательное ознакомление с руководством по эксплуатации поможет снизить риск получения травмы.

Электробезопасность



Ваше зарядное устройство защищено двойной изоляцией, исключающей потребность в заземляющем проводе. Всегда проверяйте, соответствует ли напряжение, указанное на табличке с техническими параметрами, напряжение электросети. Ни в коем случае не пытайтесь заменить зарядный блок стандартным сетевым штепселем.

- ◆ Во избежание опасности, замена поврежденного кабеля питания должна производиться только на заводе-изготовителе или в авторизованном сервисном центре Black & Decker.

Особенности

Электроинструмент имеет все или некоторые из следующих особенностей.

1. Включатель с регулируемой скоростью или включатель с возможностью выбора одной из двух доступных скоростей.
2. Переключатель реверса
3. Переключатель режима / колесико установки крутящего момента
4. Патрон
5. Аккумулятор
6. Кнопка для вынимания аккумулятора

Рис. С и D

7. Зарядное устройство
8. Гнездо зарядного устройства
9. Соединительный разъем для зарядного устройства
10. Штепсельный разъем зарядного устройства

Сборка

Внимание! Перед сборкой инструмента снимите аккумулятор.

Установка и извлечение аккумулятора (рис. А)

- ◆ Чтобы установить аккумулятор (5), совместите его ось с осью посадочного места. Вставьте аккумулятор в предназначенное для него гнездо на инструменте так, чтобы крепление защелкнулось.
- ◆ Чтобы снять аккумулятор, нажмите кнопку (6) и, не отпуская ее, извлеките аккумулятор из гнезда.

Установка крышки аккумулятора (рис. В)

Внимание! При транспортировке и хранении закрывайте аккумулятор (5) крышкой (11).

Установка и снятие сверла или отверточной насадки (Рис. Е)

Внимание! Перед выполнением этой операции необходимо снять аккумулятор.

Данный электроинструмент оснащен бесключевым патроном для быстрой и легкой смены насадок.

- ◆ Заблокируйте электроинструмент, установив переключатель реверса (2) в среднее положение.
- ◆ Раскройте патрон, одной рукой поворачивая его переднюю часть (12), а другой придерживая заднюю часть (13).
- ◆ Вставьте хвостовик насадки (14) в патрон.
- ◆ Надежно затяните патрон, одной рукой поворачивая его переднюю часть (12), а другой придерживая заднюю часть (13).

Снятие и установка патрона (Рис. F)

- ◆ Максимально раскройте патрон.
- ◆ Выньте стопорный винт, находящийся в патроне, открутив его по часовой стрелке с помощью отвертки.
- ◆ Вставьте в патрон ключ-шестигранник (15) и ударьте по нему молотком, как показано на рисунке.
- ◆ Выньте ключ.
- ◆ Снимите патрон, повернув его против часовой стрелки.
- ◆ Чтобы установить патрон, привинтите его на шпindel и закрепите с помощью стопорного винта.

Остаточные риски

При работе с данным инструментом возможно возникновение дополнительных остаточных рисков, которые не вошли в описанные здесь правила техники безопасности. Эти риски могут возникнуть при неправильном или продолжительном использовании изделия и т.п.

Несмотря на соблюдение соответствующих инструкций по технике безопасности и использование предохранительных устройств, некоторые остаточные риски невозможно полностью исключить. К ним относятся:

- ◆ **Травмы в результате касания вращающихся/двигающихся частей инструмента.**
- ◆ **Риск получения травмы во время смены деталей электроинструмента, пыльных дисков или насадок.**
- ◆ **Риск получения травмы, связанный с продолжительным использованием инструмента. При использовании инструмента в течение продолжительного периода времени делайте регулярные перерывы в работе.**
- ◆ **Ухудшение слуха.**
- ◆ **Ущерб здоровью в результате вдыхания пыли в процессе работы с электроинструментом (например, при распиле древесины, в особенности, дуба, бука и ДВП.)**

Эксплуатация

Внимание! Давайте инструменту работать с установленным темпом. Не перегружайте инструмент.

Зарядка аккумулятора

Перед первым использованием необходимо зарядить аккумулятор, также заряжайте аккумулятор каждый раз, когда заметите, что инструмент работает с недостаточной мощностью. При первой зарядке или после длительного хранения аккумулятор заряжается только на 80 %. После нескольких циклов зарядки-разрядки емкость аккумулятора достигает максимального значения. В процессе зарядки зарядное устройство может нагреться. Это нормально и не указывает на проблему.

Внимание! Заряжайте аккумулятор при температуре окружающей среды в пределах 10 °С...40 °С. Рекомендуемая температура зарядки: около 24 °С.

Зарядное устройство с гнездом для зарядки (рис. С)

- ◆ Чтобы зарядить аккумулятор (5), извлеките его из инструмента и вставьте в гнездо на зарядном устройстве (8).
- ◆ Подключите зарядное устройство (7) к розетке.

Обычно трехчасовой цикл зарядки достаточен для выполнения инструментом большинства видов работ с эффективным уровнем мощ-

ности. Однако зарядка в течение шести часов поможет существенно увеличить время работы, зависящее от состояния аккумулятора и условий зарядки.

- ◆ Выньте аккумулятор из зарядного устройства.

Зарядное устройство с штепселем (рис. D)

- ◆ Перед зарядкой аккумулятора, убедитесь, что он установлен в дрели.
- ◆ Вставьте штепсель (10) зарядного устройства в соединительный разъем (9).
- ◆ Подключите зарядное устройство (7) к розетке.
- ◆ Включите электропитание.

Обычно трехчасовой цикл зарядки достаточен для выполнения инструментом большинства видов работ с эффективным уровнем мощности. Однако зарядка в течение шести часов поможет существенно увеличить время работы, зависящее от состояния аккумулятора и условий зарядки.

- ◆ Отсоедините инструмент от зарядного устройства.

Внимание! Всегда отсоединяйте инструмент от зарядного устройства перед работой.

Установка направления вращения

Выполняйте сверление и заворачивание шурупов, установив направление вращения вперед (по часовой стрелке). Для выкручивания шурупов или извлечения заклинившего сверла, устанавливайте реверс (вращение против часовой стрелки).

- ◆ Для установки вращения вперед переместите переключатель реверса (2) влево.
- ◆ Для установки реверса сдвиньте переключатель реверса вправо.
- ◆ Для блокировки электроинструмента, установите переключатель реверса в среднее положение.

Установка режима работы или крутящего момента (Рис. G)

В данном электроинструменте имеется установочное кольцо для выбора режима работы и установки крутящего момента для заворачивания шурупов-саморезов. Для шурупов больших размеров и твердых материалов следует устанавливать более высокий крутящий момент, чем для мелких шурупов и мягких материалов. На регуляторе имеется множество установок, чтобы Вы могли выбрать оптимальные для вашей работы настройки.

- ◆ Для сверления в дереве, металле и пластике, установите колесико (3) в положение сверления **1**, совместив его риску с отметкой (16).
- ◆ Для заворачивания установите колесико на нужной вам отметке. Если Вы еще не знаете, какую установку выбрать, поступите следующим образом:
 - Установите колесико (3) на самый низкий крутящий момент.
 - Заверните первый шуруп.
 - Если Вы еще не достигли желаемого результата, а колесико уже начало трещать, установите более высокий крутящий момент и продолжайте заворачивать шуруп. Повторяйте процедуру, пока Вы не найдете нужную настройку. Используйте эту настройку для заворачивания остальных шурупов

Включение и выключение

Включатель с функцией регулировки скорости

- ◆ Чтобы включить инструмент, нажмите на включатель с регулируемой скоростью (1). Скорость инструмента зависит от глубины нажатия клавиши включателя.
- ◆ Чтобы выключить инструмент, отпустите кнопку включателя.

Советы по оптимальному использованию

Сверление

- ◆ Всегда слегка надавливайте на электроинструмент в направлении оси сверла.
- ◆ Уменьшайте давление на электроинструмент непосредственно перед тем, как сверло выйдет с другой стороны обрабатываемой детали.
- ◆ Используйте деревянные бруски в качестве подложки для хрупких заготовок, которые могут расщепиться при сверлении.
- ◆ Используйте перьевые сверла для просверливания в дереве отверстий большого диаметра.
- ◆ Используйте сверла HSS для сверления в металле.
- ◆ Используйте специальные сверла для работы по камню для сверления в не очень твердом камне.
- ◆ Используйте смазку при сверлении в металле, кроме чугуна и латуни.
- ◆ Намечайте кернером центр отверстия для максимальной точности сверления.

Заворачивание

- ◆ Всегда используйте насадку соответствующего типа и размера.
- ◆ Если шурупы заворачиваются с трудом, попробуйте нанести небольшое количество моющего средства или мыла в качестве смазки.
- ◆ Всегда держите электроинструмент и отверточную насадку на одной оси с шурупом.

Техническое обслуживание

Ваш электроинструмент Black & Decker рассчитан на работу в течение продолжительного времени при минимальном техническом обслуживании. Срок службы и надежность инструмента увеличивается при правильном уходе и регулярной чистке.

Ваше зарядное устройство не требует технического обслуживания, только подлежит регулярной чистке.

Внимание! Перед проведением какой-либо операции технического обслуживания, вытаскивайте из электроинструмента аккумулятор. Отсоединяйте зарядное устройство перед чисткой.

- ◆ Регулярно очищайте вентиляционные прорезы Вашего электроинструмента и зарядного устройства мягкой щеткой или сухой салфеткой.
- ◆ Регулярно очищайте корпус двигателя влажной салфеткой. Не пользуйтесь абразивными чистящими средствами или растворителями.
- ◆ Регулярно открывайте патрон и вытряхивайте отходы сверления.

Защита окружающей среды



Раздельный сбор. Данное изделие нельзя утилизировать вместе с обычными бытовыми отходами.

Если однажды Вы захотите заменить Ваш электроинструмент Black & Decker, или Вы больше в нем не нуждаетесь, не выбрасывайте его вместе с бытовыми отходами. Отнесите изделие в специальный приемный пункт. Раздельный сбор изделий с истекшим сроком службы и их упаковок позволяет пускать их в переработку и повторно использовать.



Использование переработанных материалов помогает защищать окружающую среду от загрязнения и снижает расход сырьевых материалов.

Местное законодательство может обеспечить сбор старых электроинструментов отдельно от бытового мусора на муниципальных свалках отходов, или Вы можете сдавать их в торговом предприятии при покупке нового изделия.

Фирма Black & Decker обеспечивает прием и переработку отслуживших свой срок изделий Black & Decker. Чтобы воспользоваться этой услугой, Вы можете сдать Ваше изделие в любой авторизованный сервисный центр, который собирает их по нашему поручению.

Вы можете узнать место нахождения Вашего ближайшего авторизованного сервисного центра, обратившись в Ваш местный офис Black & Decker по адресу, указанному в данном руководстве по эксплуатации. Кроме того, список авторизованных сервисных центров Black & Decker и полную информацию о нашем послепродажном обслуживании и контактах Вы можете найти в интернете по адресу: www.2helpU.com.

Аккумуляторы



Аккумуляторы Black & Decker можно перезаряжать большое количество раз. По окончании срока службы утилизируйте отработанный аккумулятор безопасным для окружающей среды способом:

- ◆ Полностью разрядите аккумулятор, затем снимите его с электроинструмента.
- ◆ Литий-ионные, никель-кадмиевые и никель-металлогидридные аккумуляторы подлежат переработке. Сдайте их в любой авторизованный сервисный центр или в местный пункт переработки.

Технические характеристики

		EPС12 (H1)	EPС14 (H1)
Напряжение	В _{пост. тока}	12	14,4
Число оборотов	на х.х.	об/мин.	0-750
Макс. крутящий момент	Нм	11	12,1
Патрон	мм	10	10
Макс. диаметр сверления			
Сталь	мм	10	10
Древесина	мм	25	25

Аккумулятор		A12E	A14E
Емкость	Ач	1,2	1,2
Тип		NiCd	NiCd
Вес	кг	0,58	0,68

Аккумулятор		A12NH	A14NH
Емкость	Ач	1,5	1,5
Тип		NiMH	NiMH
Вес	кг	0,6	0,7

Зарядное устройство

		90500843	90500844
		90500847	90500848
		90500855	90500856
		90500858	90500859

Напряжение питания	V перем. тока	230-240	230-240
Выходное напряжение	V пост. тока	14,5-15,3	17,4-18,2
Ток	МА	210-220	200-210
Приблизительное время зарядки	ч	8-10	8-10

		EPС18 (H1)	EPС96 (H1)
Напряжение	V пост. тока	18	9,6
Число оборотов на х.х.	об/мин.	0-750	0-750
Макс. крутящий момент	Нм	12,1	10,4
Патрон	мм	10	10
Макс. диаметр сверления			
Сталь	мм	10	10
Древесина	мм	25	25

Аккумулятор		A18E	B96
Емкость	Ач	1,2	1,2
Тип		NiCd	NiCd
Вес	кг	0,82	0,42

Аккумулятор		A18NH
Емкость	Ач	1,5
Тип		NiMH
Вес	кг	0,9

Зарядное устройство

		90500845	90500842
		90500849	90500846
		90500857	90500850
		90500860	90500854

Напряжение питания	V перем. тока	230-240	230-240
Выходное напряжение	V пост. тока	21,75-22,6	11,6-12,2
Ток	МА	210-230	210-220
Приблизительное время зарядки	ч	8-10	8-10

Уровень звукового давления в соответствии с EN 60745:

Звуковое давление (L_{pA}) 73 дБ(А), погрешность (К) 3 дБ(А), Акустическая мощность (L_{WA}) 84 дБ(А), погрешность (К) 3 дБ(А)

Сумма величин вибрации (сумма векторов по трем осям), измеренных в соответствии со стандартом EN 60745:

Сверление в металле ($a_{h,D}$) < 2,5 м/с², погрешность (К) 1,5 м/с², Заворачивание без удара ($a_{h,S}$) < 2,5 м/с², погрешность (К) 1,5 м/с²

Декларация соответствия ЕС
ДИРЕКТИВА ПО МЕХАНИЧЕСКОМУ
ОБОРУДОВАНИЮ



EPС12/EPС14/EPС18/EPС96

Black & Decker заявляет, что продукты, обозначенные в разделе «Технические характеристики», полностью соответствуют стандартам: 2006/42/ЕС, EN60745-1, EN60745-2-1

За дополнительной информацией обращайтесь по указанному ниже адресу или по адресу, указанному на последней странице руководства.

Нижеподписавшийся несет ответственность за сбор технических характеристик и де-лает данное заявление от лица компании Black & Decker.

Кевин Хьюитт (Kevin Hewitt)
Вице-президент отдела
мирового проектирования
Black & Decker Europe,
210 Bath Road, Slough,
Berkshire, SL1 3YD
United Kingdom
18/05/2010

БЛЭК ЭНД ДЕККЕР

гарантийные условия

Уважаемый покупатель!

1. Поздравляем Вас с покупкой высококачественного изделия BLACK & DECKER и выражаем признательность за Ваш выбор.
- 1.1. Надежная работа данного изделия в течение всего срока эксплуатации - предмет особой заботы наших сервисных служб. В случае возникновения каких-либо проблем в процессе эксплуатации изделия рекомендуем Вам обращаться только в авторизованные сервисные организации, адреса и телефоны которых Вы сможете найти в Гарантийном талоне или узнать в магазине. Наши сервисные станции - это не только квалифицированный ремонт, но и широкий выбор запчастей и принадлежностей.
- 1.2. При покупке изделия требуйте проверки его комплектности и исправности в Вашем присутствии, инструкцию по эксплуатации и заполненный Гарантийный талон на русском языке. При отсутствии у Вас правильно заполненного Гарантийного талона мы будем вынуждены отклонить Ваши претензии по качеству данного изделия.
- 1.3. Во избежание недоразумений убедительно просим Вас перед началом работы с изделием внимательно ознакомиться с инструкцией по его эксплуатации.
- 1.4. Обращаем Ваше внимание на исключительно бытовое назначение данного изделия.
2. Правовой основой настоящих гарантийных условий является действующее Законодательство и, в частности, Закон "О защите прав потребителей".
3. Гарантийный срок на данное изделие составляет 24 месяца и исчисляется со дня продажи через розничную торговую сеть. В случае устранения недостатков изделия, гарантийный срок продлевается на период, в течение которого оно не использовалось.
4. Срок службы изделия - 5 лет (минимальный, установленный в соответствии с Законом "О защите прав потребителей").
5. Наши гарантийные обязательства распространяются только на неисправности, выявленные в течение гарантийного срока и обусловленные производственными и конструктивными факторами.
6. Гарантийные обязательства не распространяются:
 - 6.1. На неисправности изделия, возникшие в результате:
 - 6.1.1. Несоблюдения пользователем предписаний инструкции по эксплуатации изделия.
 - 6.1.2. Механического повреждения, вызванного внешним ударным или любым иным воздействием.

- 6.1.3. Использования изделия в профессиональных целях и объемах, в коммерческих целях.
- 6.1.4. Применения изделия не по назначению.
- 6.1.5. Стихийного бедствия.
- 6.1.6. Неблагоприятных атмосферных и иных внешних воздействий на изделие, таких как дождь, снег, повышенная влажность, нагрев, агрессивные среды, несоответствие параметров питающей электросети указанным на инструменте.
- 6.1.7. Использования принадлежностей, расходных материалов и запчастей, не рекомендованных или не одобренных производителем.
- 6.1.8. Проникновения внутрь изделия посторонних предметов, насекомых, материалов или веществ, не являющихся отходами, сопровождающими применение по назначению, такими как стружка опилки и пр. .
- 6.2. На инструменты, подвергавшиеся вскрытию, ремонту или модификации вне уполномоченной сервисной станции.
- 6.3. На принадлежности, запчасти, вышедшие из строя вследствие нормального износа, и расходные материалы, такие как приводные ремни, угольные щетки, аккумуляторные батареи, ножи, пилки, абразивы, пыльные диски, сверла, буры и т. п. .
- 6.4. На неисправности, возникшие в результате перегрузки инструмента, повлекшей выход из строя электродвигателя или других узлов и деталей. К безусловным признакам перегрузки изделия относятся, помимо прочих: появление цветов побежалости, деформация или оплавление деталей и узлов изделия, потемнение или обугливание изоляции проводов электродвигателя под воздействием высокой температуры.



ME 77



007

Блэк энд Деккер Гмбх
Блэк энд Деккер Штрассе, 40
65510 Идштайн, Германия

Область застосування

Ваш дріль/шурупокрут виробництва компанії Black & Decker розроблен для використання в якості викрутки та для свердління отворів в дереві, метали та пластику. Цей інструмент призначений лише для побутового використання.

Інструкції з техніки безпеки

Загальні правила безпеки для електричного інструменту



Попередження! Перед використанням інструменту уважно прочитайте всі попередження та інструкції. Невиконання попереджень та інструкцій, що наведені нижче, може призвести до ураження електричним струмом, пожежі та/або серйозних травм.

Зберігайте це керівництво для отримання інформації в подальшому. Термін "електричний інструмент" в усіх попередженнях, перерахованих нижче, стосується використовуваних Вами інструментів, що працюють від мережі енергоспоживання або акумуляторів.

1. Безпека робочої зони

- a. **Тримайте робочу зону чистою та добре освітленою.** Неупорядковані та темні робочі зони збільшують ймовірність нещасного випадку.
- b. **Не використовуйте електричні інструменти у вибухонебезпечних умовах, наприклад, в присутності легкозаймистих рідин, газів або пилу.** Електричні інструменти створюють іскри, що можуть запалити пил або випаровування.
- c. **Тримайте дітей та сторонніх подалі під час використання електричного інструменту.** Відвернення уваги може призвести до втрати контролю.

2. Електрична безпека

- a. **Вилка електричного інструменту має відповідати розетці. Ніколи ніяким чином не змінюйте розетку. Не використовуйте адаптерів з заземленими електричними інструментами.** Немодифіковані вилки та розетки, що підходять до них, зменшують ризик ураження електричним струмом.
- b. **Уникайте контакту тіла з заземленими поверхнями, такими як труби, радіатори, плити та холодильники.** Якщо Ваше тіло заземлене, ризик ураження електричним струмом збільшується.

- c. **Не залишайте електричні інструменти під дощем або в умовах підвищеної вологості.** Вода, що потрапляє в електричний інструмент, підвищує ризик ураження електричним струмом.
- d. **Не використовуйте шнур не за призначенням. Ніколи не використовуйте шнур для переносу, витягнення або відключення електричного інструменту.** Тримайте шнур подалі від високих температур, мастила, гострих предметів та рухомих деталей. Ушкоджений або заплутаний шнур підвищує ризик ураження електричним струмом.
- e. **При використанні електричного інструменту на вулиці, використовуйте подовжуючий шнур, що підходить для використання на вулиці.** Використання шнура, що підходить для вулиці, знижує ризик ураження електричним струмом.
- f. **Якщо неможливо уникнути використання електричного інструменту в умовах підвищеної вологості, використовуйте живлення, захищене пристроєм залишкового струму (RCD).** Використання RCD знижує ризик ураження електричним струмом.

3. Особиста безпека

- a. **Будьте в стані готовності, дивіться, що ви робите, та використовуйте загальний глузд, коли ви працюєте з електричним інструментом.** Не використовуйте електричний інструмент, коли ви втомлені або знаходитесь під впливом наркотичних речовин, алкоголю або ліків. Втрата уваги при роботі з електричними інструментами може призвести до серйозних травм.
- b. **Використовуйте особисті засоби безпеки. Завжди використовуйте засоби захисту очей.** Засоби безпеки, такі як протипилова маска, неслизькі безпечні чоботи, твердий капелюх та засоби захисту слухового апарату, які використані для відповідних умов, зменшують ймовірність особистих травм.
- c. **Уникнення випадкового запуску. Переконайтесь, що вимикач знаходиться в позиції Вкл. перед підключенням до джерела живлення та/або акумулятора, переміщенням або перенесенням пристрою.** Перенесення інструменту, тримаючи палець на вимикачі, або підключення живлення з перемикачем в позиції Вкл. може призвести до нещасного випадку.
- d. **Зніміть всі налаштувальні ключі або гайкові ключі перед тим, як вмикати елек-**

тричний інструмент. Гайковий або налаштувальний ключ, що залишився прикріпленням до деталі електричного інструменту, що обертається, може стати причиною травми.

e. Не перенапружуйтеся. Завжди утримуйте правильну постановку ніг і рівновагу. Це дозволяє тримати електричний інструмент під кращим контролем в несподіваних ситуаціях.

f. Вдягайтеся відповідним чином. Не вдягайте вільний одяг чи прикраси. Тримайте ваше волосся, одяг та рукавички подалі від рухомих деталей. Вільний одяг, прикраси або довге волосся може зачепитися за рухомі деталі.

g. Якщо передбачені пристрої для підключення до засобів виділення та збирання пилу, переконайтеся, що вони правильно підключені та використовуються. Використання таких пристроїв зменшує ризик виникнення небезпечних ситуацій, що пов'язані з потраплянням пилу.

4. Використання та догляд за електричним інструментом

a. Не використовуйте надмірні зусилля при роботі з механізованим інструментом. Використовуйте відповідний електричний інструмент для вашої задачі. Правильно обраний інструмент виконає завдання краще та безпечніше за умов, для яких він був розроблений.

b. Не використовуйте інструмент, вмикач якого не вмикає та не вимикає його. Будь-який електричний інструмент, який не може управлятися вмикачем, є небезпечним і має бути відремонтований.

c. Відключіть вилку від джерела живлення перед тим, як робити будь-які налаштування, зміни додаткового обладнання, чи зберігання інструменту. Ці профілактичні заходи зменшують ризик випадкового запуску електричного інструменту.

d. Бережіть вимкнені електричні інструменти від дітей та не дозволяйте особам, що не знайомі з електричним інструментом або цими інструкціями використовувати електричний інструмент.

e. Технічне обслуговування електричних інструментів. Перевіряйте на відсутність вирівнювання або заїдання рухомих деталей, ушкоджених частин та інших умов, що можуть впливати на роботу електричного інструменту. Якщо є ушкодження, відремонтуйте електричний інструмент

перед використанням. Багато нещасних випадків є результатом того, що інструмент не пройшов відповідного технічного обслуговування.

f. Тримайте ріжучі інструменти гострими та чистими. Правильно доглянуті ріжучі інструменти з гострими ріжучими кромками мають меншу ймовірність заїдання, та ними легше керувати.

g. Використовуйте електричний інструмент, додаткові інструменти та деталі інструменту тощо у відповідності до цих інструкцій та відповідно до даного типу механізованих інструментів, зважаючи на умови використання та роботу, яка має бути виконана. Використання електричних інструментів не за призначенням може призвести до виникнення небезпечних ситуацій.

5. Використання та догляд за інструментом, що працює від акумулятора

a. Заряджайте батарею лише за допомогою зарядного пристрою, що вказаний виробником. Зарядний пристрій, що підходить до одного типу акумуляторів, може призвести до пожежі, коли використовується з іншим акумулятором.

b. Використовуйте цей електричний інструмент лише зі спеціально розробленим акумулятором. Використання інших акумуляторів може призвести до травм або пожежі.

c. Коли акумулятори не використовуються, зберігайте їх подалі від металевих предметів, як скріпки, монети, ключі, цвяхи, гвинти або інші невеликі предмети, що можуть призвести до з'єднання двох терміналів. Зімкнення терміналів акумулятора може призвести до вибуху або пожежі.

d. Іноді рідина може витікати з акумулятора; уникайте контакту з нею. Якщо випадково трапиться так, що Ви доторкнетесь до неї, змийте її водою. Якщо ця рідина потрапить в очі, зверніться до лікаря. Рідина, що витікає з батареї, може призвести до подразнень та опіків.

6. Обслуговування

a. Надавайте Ваш електричний інструмент для обслуговування кваліфікованим спеціалістом з ремонту та використовуйте тільки ідентичні замінні деталі. Це забезпечить безпеку електричного пристрою, що обслуговується.

Додаткові правила безпеки для електричного інструменту



Попередження! Додаткові попередження з техніки безпеки для дрилі та ударної дрилі

- ◆ **Використовуйте засоби захисту органів слуху при роботі з ударним дрилем.** Шум може викликати втрату слуху.
- ◆ **Використовуйте додаткові ручки, що надаються з інструментом.** Втрата контролю над інструментом може викликати травми.
- ◆ **Тримайте електричні інструменти за ізольовану поверхню при виконанні операцій, при яких ріжуча поверхня може торкнутися схованої проводки.** Ріжучі елементи при контакті з дротом під напругою може призвести до появи напруги в інструменті та ураження оператора електричним струмом.
- ◆ **Тримайте електричні інструменти за ізольовану поверхню при виконанні операцій, при яких кріплення може торкнутися схованої проводки.** Контакт кріпильних елементів з дротом під напругою може призвести до появи напруги в інструменті та ураження оператора електричним струмом.
- ◆ **Використовуйте затискач або інший спосіб закріплення деталей, що оброблюється, на стабільній платформі.** Утримування деталі в руках або біля власного тіла робить заготовку нестабільною та може призвести до втрати контролю.
- ◆ **Перед свердлінням стін, підлоги та стелі переконайтесь, що в цьому місці не розташована електрична проводка та труби.**
- ◆ **Уникайте контакту з кінчиком біти відразу після свердління, він може бути гарячим.**
- ◆ **Цей інструмент не призначений для використання людьми (включаючи дітей) з недостатніми фізичними, сенсорними або розумовими можливостями, або з недостатнім досвідом або знаннями, за винятком ситуацій, коли вони працюють під контролем або отримали відповідні інструкції щодо використання пристрою від відповідального за їх безпеку. Діти повинні знаходитись під контролем, щоб гарантувати, що вони не будуть грати з пристроєм.**
- ◆ **Використання за призначенням описане в цьому керівництві.** Використання аксесуарів або приладдя, або виконання будь-яких дій з інструментом, що суперечать рекомендаціям цього керівництва, може призвести

до ризику травмування людини та/або пошкодження майна.

Додаткові інструкції з техніки безпеки для батарей та зарядних пристроїв

Батареї

- ◆ Ніколи не намагайтесь відкривати батареї.
- ◆ Не піддавайте батареї впливу води.
- ◆ Не зберігайте в місцях, де температура може перевищувати 40 °C.
- ◆ Заряджайте лише, коли температура навколишнього середовища становить 10 °C - 40 °C.
- ◆ Заряджайте лише, використовуючи зарядний пристрій, що надається з інструментом.
- ◆ При знищенні батарей виконайте інструкції, вказані в розділі "Захист навколишнього середовища".



Не намагайтесь заряджати пошкоджену батарею.

Зарядні пристрої

- ◆ Використовуйте зарядний пристрій Black & Decker лише для зарядки батарей того інструменту, з яким він продавався. Інші батареї можуть вибухнути, спричинивши травми та пошкодження.
- ◆ Ніколи не намагайтесь заряджати батареї, що не підлягають зарядці.
- ◆ Негайно замініть пошкоджений шнур.
- ◆ Не піддавайте зарядний пристрій впливу води.
- ◆ Не відкривайте зарядний пристрій.
- ◆ Не тестуйте зарядний пристрій.



Зарядний пристрій призначений лише для використання в приміщенні.



Прочитайте інструкції перед використанням.



127 °C



Зарядний пристрій відключається, коли температура навколишнього середовища стає значно вищою. Тепловий вимикач спрацьовує лише один раз і потім вимагає заміни.

Вібрація

Значення вібрації, вказані в технічних даних та в декларації про відповідність виміряні з дотриманням стандартних методів тестування, наданих в EN 60745, та їх можна використовувати

ти для порівняння одного інструменту з іншим. Задекларовані значення вібрації можна також використовувати для попередньої оцінки впливу вібрації.

Попередження! Значення вібрації під час використання інструменту може відрізнятись від задекларованого в залежності від способів використання інструменту. Рівень вібрації може перевищувати вказані значення.

При оцінці впливу вібрації для визначення заходів безпеки за вимогами 2002/44/ЕС, щоб захистити людей, що регулярно використовують інструменти в роботі, необхідно враховувати реальні умови та способи використання інструменту, включаючи врахування всіх періодів робочого циклу, наприклад, часу, коли інструмент вимкнено та коли він знаходиться в режимі очікування, а також часу реальної роботи інструменту.

Написи на інструменті

На інструменті є наступні піктограми:



Попередження! Щоб зменшити ризик травм, користувач повинен прочитати керівництво з експлуатації.

Електрична безпека



Цей зарядний пристрій має подвійну ізоляцію; тому заземлення не є необхідним. Завжди перевіряйте, що джерело живлення відповідає напрузі, що вказана на табличці з паспортними даними. Ніколи не намагайтесь замінити зарядний пристрій звичайним мережним штепселем.

- ◆ Якщо шнур живлення пошкоджений, його необхідно замінити, звернувшись до виробника або в офіційний сервісний центр компанії Black & Decker, щоб уникнути небезпеки.

Деталі

Цей інструмент має деякі чи всі деталі з нижче вказаних.

1. Пускова клавіша з електронним регулюванням швидкості.
2. Перемикач вперед / назад (реверс).
3. Регулюючий хомут налаштування обертаючого моменту та перемикач у режим свердлення.
4. Затискний патрон
5. Батарея
6. Кнопка звільнення батареї

мал. С і D

7. Зарядний пристрій
8. Гніздо зарядного пристрою
9. Конектор зарядного пристрою
10. Штепсель зарядного пристрою

Зборка

Попередження! Перед зборкою витягніть батарею з інструменту.

Встановлення та видалення батареї (мал. А)

- ◆ Щоб встановити акумулятор (5), вирівняйте його по відсіку в інструменті. Вставте батарею у відсік та натисніть на неї, доки вона не встане на місце.
- ◆ Щоб витягнути акумулятор, натисніть на кнопку звільнення акумулятору (6), витягаючи при цьому акумулятор з відсіку.

Встановлення кришки батареї (мал. В)

Попередження! Встановіть кришку (11) на акумулятор (5) для транспортування та зберігання.

Встановлення та знімання свердла або вставок викрутки (мал. Е)

Попередження! Спочатку вийміть батарею з інструменту.

Цей інструмент оснащений затискним патроном, що не вимагає використання ключа, для простоти встановлення біт.

- ◆ Заблокуйте інструмент, встановивши перемикач вперед/назад (2) в центральну позицію.
- ◆ Відкрийте патрон, повертаючи його передню частину (12) однією рукою та утримуючи задню частину (13) другою рукою.
- ◆ Вставте хвостовик свердла (14) в патрон.
- ◆ Добре затягніть патрону, повертаючи його передню частину (12) однією рукою та утримуючи задню частину (13) другою рукою.

Зняття та установка затискного патрона (мал. F)

- ◆ Відкрийте патрон, як можна ширше.
- ◆ Витягніть гвинт, що тримає патрон, повертаючи його за годинниковою стрілкою за допомогою викрутки.
- ◆ Закріпіть торцевий ключ (15) в патроні та вдарте по ньому за допомогою молотка, як показано.
- ◆ Зніміть торцевий ключ.
- ◆ Зніміть патрон, повертаючи його проти годинникової стрілки.

- ◆ Щоб знов встановити патрон, прикріпіть його до шпінделя та закріпіть за допомогою стопорного гвинта патрону.

Залишкові ризики.

Додаткові залишкові ризики можуть виникнути при використанні інструменту, який не включено до наведених попереджень з техніки безпеки. Ці ризики можуть виникнути через невірне використання, тривале використання, тощо.

Незважаючи на виконання всіх відповідних правил техніки безпеки та використання пристроїв безпеки, неможливо уникнути деяких залишкових ризиків. Сюди належать:

- ◆ Травми через контакт з деталями, що рухаються/обертаються.
- ◆ Травми при заміні деталей, пильних полотен або аксесуарів.
- ◆ Травми через занадто тривале використання інструменту. При використанні будь-якого інструменту протягом тривалого періоду часу не забувайте робити регулярні перерви.
- ◆ Пошкодження слуху.
- ◆ небезпека для здоров'я через вдихання пилу, що утворюється при використанні інструменту (наприклад, при роботі з деревом, особливо з дубом, березою та ДВП.)

Використання

Попередження! Інструмент має працювати з передбаченою швидкістю. Не перевантажуйте його.

Зарядка батареї

Батарею необхідно зарядити перед першим використанням та, коли інструмент надає недостатню потужність при виконанні завдань, які раніше виконувались легко. При зарядці батареї перший раз вона заряджається лише на 80%. Після кількох циклів зарядження та розрядження батарея досягне повної ємності. Батарея може стати теплою під час зарядки; це є нормою і не є показником проблеми.

Попередження! Не заряджайте батарею при температурі навколишнього середовища нижче 10 °C або вище 40 °C. Рекомендована температура зарядки: приблиз. 24 °C.

Зарядний пристрій з відсіком для зарядки батареї (мал. С)

- ◆ Щоб зарядити акумулятор (5), витягніть його з інструменту та надіньте на нього гніздо зарядного пристрою (8).

- ◆ Ввімкніть зарядний пристрій в розетку (7). Після нормального використання 3 години зарядки вистачить для виконання більшості завдань. Однак зарядка до 6 годин може значно збільшити час використання інструменту, в залежності від батареї та умов зарядки.

- ◆ Витягніть акумулятор з зарядного пристрою.

Зарядний пристрій зі штепселем для зарядки (мал. D)

- ◆ Щоб зарядити батарею, переконайтесь, що вона встановлена в інструмент.
- ◆ Вставте штепсель зарядного пристрою (10) в конектор (9).
- ◆ Ввімкніть зарядний пристрій в розетку (7).
- ◆ Увімкніть перемикач біля розетки.

Після нормального використання 3 години зарядки вистачить для виконання більшості завдань. Однак зарядка до 6 годин може значно збільшити час використання інструменту, в залежності від батареї та умов зарядки.

- ◆ Відключіть інструмент від зарядного пристрою.

Попередження! Не використовуйте інструмент, коли він під'єднаний до зарядного пристрою.

Вибір напрямку обертання

Для свердління та закручування шурупів використовуйте обертання вперед (за годинниковою стрілкою). Для ослаблення шурупів та знімання затиснених свердел використовуйте зворотне (проти годинникової стрілки) обертання.

- ◆ Щоб обрати обертання вперед, натисніть на перемикач вперед/назад (2) вліво.
- ◆ Щоб обрати обертання назад, натисніть на перемикач вперед/назад вправо.
- ◆ Щоб заблокувати інструмент, пересуньте ручку перемикача в центральне положення.

Вибір режиму роботи або обертаючого моменту (мал. G)

Цей інструмент оснащено хомутом для вибору робочого режиму та встановлення обертаючого моменту для затягування гвинтів. Великі шурупи та тверді матеріали вимагають більшого обертаючого моменту, ніж малі шурупи та більш м'які матеріали. Хомут має широкий діапазон настройок для відповідності кожній задачі.

- ◆ Для свердління дерева, металу та пластмаси, встановіть хомут (3) в положення для свердління, вирівнявши символ 1 з поміткою (16).
- ◆ Для використання викрутки встановіть хомут в бажане положення. Якщо ви не знаєте, яка настройка вам потрібна, зробіть наступне:

- Встановіть хомут (3) на найнижче значення обертаючого моменту.
- Закріпіть перший шуруп.
- Якщо ви почуєте тріск до отримання бажаного результату, зробіть значення обертаючого моменту більшим та продовжуйте закручувати шуруп. Повторюйте процедуру, доки ви не досягнете правильної настройки. Використовуйте цю настройку для інших шурупів.

Вмикання та вимикання

Перемикач змінної швидкості

- ◆ Щоб ввімкнути інструмент, натисніть на перемикач змінної швидкості (1). Швидкість інструменту залежить від того, наскільки сильно Ви натиснете на перемикач.
- ◆ Щоб вимкнути інструмент, відпустіть перемикач змінної швидкості.

Примітки для оптимального використання

Свердління

- ◆ Завжди дещо натискайте на інструмент, спрямовуючи силу по прямій лінії зі свердлом.
- ◆ Безпосередньо перед тим, як кінець свердла з'явиться з іншої сторони заготовки, зменшіть тиск на інструмент.
- ◆ Використовуйте дерев'яну планку для захисту заготовки, яка може розколотися.
- ◆ Використовуйте біти з долотоподібною голівкою при свердлінні отворів великого діаметру в дереві.
- ◆ Використовуйте біти зі швидкорізальної сталі для свердління металу.
- ◆ Використовуйте тонкостінні алмазні біти для свердління м'якої кам'яної кладки.
- ◆ Використовуйте мастила при свердлінні металів, крім чавуну та міді.
- ◆ Зробіть помітку, використовуючи кернер, біля центру отвору, що буде просвердлений, щоб поліпшити точність.

Використання викрутки

- ◆ Завжди використовуйте правильний тип та розмір викрутки-вставки.
- ◆ Якщо шурупи важко затягуються, спробуйте застосувати невелику кількість миючої рідини чи мила в якості мастила.
- ◆ Завжди тримайте інструмент та викрутку-вставку по прямій лінії з шурупом

Технічне обслуговування

Ваш інструмент виробництва компанії Black & Decker призначений для роботи протягом довгого часу з мінімальним обслуговуванням. Постійна задовільна робота залежить від правильного догляду за інструментом та регулярної очистки.

Ваш зарядний пристрій не вимагає технічного обслуговування, лише необхідно проводити регулярну очистку.

Попередження! Перед виконанням будь-якого обслуговування необхідно витягнути батарею з інструменту. Витягніть зарядний пристрій з розетки перед очисткою.

- ◆ Регулярно очищуйте вентиляційний отвір за допомогою м'якої щітки або сухої ганчірки.
- ◆ Регулярно очищуйте корпус мотору вологою ганчіркою. Не використовуйте абразивні засоби та очищаючі засоби, що містять розчинники.
- ◆ Регулярно відкривайте патрон, щоб видалити пил з середини.

Захист навколишнього середовища



Окреме збирання. Цей продукт не можна викидати разом зі звичайним побутовим сміттям.

Якщо якимось Ви вирішите, що ваш виріб фірми Black & Decker має бути замінено, або він Вам більше не потрібний, не викидайте його на смітник побутового сміття. Зробіть цей виріб доступним для окремого збору.



Окремий збір використаних виробів та упаковки дозволяє повторно переробляти та використовувати матеріали. Повторна переробка матеріалів допомагає попередити забруднення навколишнього середовища та зменшує потребу в сировині.

Місцеві законодавчі акти можуть передбачати окремий збір електричного обладнання в муніципальних місцях для збору сміття або продавцями при покупці нового обладнання.

Компанія Black & Decker має можливість для збору та переробки продуктів власного виробництва після закінчення їхнього терміну служби. Щоб скористатися цією послугою, поверніть виріб компанії в офіційний сервісний центр, які збирають відпрацьовані продукти за наш рахунок.

Ви можете знайти місцезнаходження найближчого до Вас сервісного центру, зв'язавшись з місцевим офісом компанії Black & Decker за адресою, вказаною в цих інструкціях. Крім того, список офіційних сервісних центрів компанії Black & Decker з усіма подробицями нашого післяпродажного обслуговування та контактною інформацією міститься в Інтернеті за адресою: www.2helpU.com

Батареї



Батареї виробництва компанії Black & Decker можна перезаряджати багато разів. В кінці їхнього строку служби викиньте батареї, не забуваючи про навколишнє середовище:

- ◆ Батарея повинна бути повністю розряджена, потім витягніть її з інструменту.
- ◆ Батареї типів NiCd (нікель-кадмієві), NiMH (нікель-металогідридні) та Li-Ion (літієво-іонні) підлягають переробці. Віднесіть їх в будь-який офіційний ремонтний центр або на місцеву переробку станцію.

Технічні дані

		ERC12 (H1)	ERC14 (H1)
Напруга	V_{AC}	12	14,4
Швидкість без навантаження	об/хв	0-750	0-750
Макс. обертаючий момент	Нм	11	12,1
Найбільший діаметр виробу, що затискається в патроні	мм	10	10
Максимальна глибина свердління			
Сталь	мм	10	10
Деревина	мм	25	25

Батарея		A12E	A14E
Ємність	Ампер-годин	1,2	1,2
Тип		NiCd	NiCd
Вага	кг	0,58	0,68

Батарея		A12NH	A14NH
Ємність	Ампер-годин	1,5	1,5
Тип		NiMH	NiMH
Вага	кг	0,6	0,7

Зарядний пристрій

		90500843	90500844
		90500847	90500848
		90500855	90500856
		90500858	90500859
Вхідна напруга	V_{AC}	230-240	230-240
Вихідна напруга	V_{AC}	14,5-15,3	17,4-18,2
Струм	mA	210-220	200-210
Приблизний час першої зарядки	годин	8-10	8-10

		ERC18 (H1)	ERC96 (H1)
Напруга	V_{AC}	18	9,6
Швидкість без навантаження	об/хв	0-750	0-750
Макс. обертаючий момент	Нм	12,1	10,4
Найбільший діаметр виробу, що затискається в патроні	мм	10	10
Максимальна глибина свердління			
Сталь	мм	10	10
Деревина	мм	25	25

Батарея		A18E	B96
Ємність	Ампер-годин	1,2	1,2
Тип		NiCd	NiCd
Вага	кг	0,82	0,42

Батарея		A18NH
Ємність	Ампер-годин	1,5
Тип		NiMH
Вага	кг	0,9

Зарядний пристрій

		90500845	90500842
		90500849	90500846
		90500857	90500850
		90500860	90500854
Вхідна напруга	V_{AC}	230-240	230-240
Вихідна напруга	V_{AC}	21,75-22,6	11,6-12,2
Струм	mA	210-230	210-220
Приблизний час першої зарядки	годин	8-10	8-10

Рівень звукового тиску згідно з EN 60745:

Звуковий тиск (L_{pA}) 73 дБ(A), похибка (K) 3 дБ(A),
Звукова потужність (L_{WA}) 84 дБ(A), похибка (K) 3 дБ(A)

Загальні значення вібрації (векторна сума трьох векторів) згідно з EN 60745:

Свердління металу ($a_{h,HD}$) < 2,5 м/с², похибка (K) 1,5 м/с²,
Використання викрутки без удару ($a_{h,HD}$) < 2,5 м/с², похибка (K) 1,5 м/с²

Заява про відповідність ЄС
ДИРЕКТИВА ДЛЯ МЕХАНІЧНОГО
ОБЛАДНАННЯ



ЕРС12/ЕРС14/ЕРС18/ЕРС96

Компанія Black & Decker заявляє, що продукти,
описані в розділі „Технічні дані“ відповідають:
2006/42/ЕС, EN60745-1, EN60745-2-1

Для отримання додаткової інформації, будь
ласка, зверніться до компанії Black & Decker за
наступною адресою або прочитайте інформа-
цію на зворотній стороні цього керівництва.

Нижчепідписаний несе відповідальність
за упорядкування файлу технічних харак-
теристик та робить цю заяву від компанії
Black & Decker

Кевін Хьюїт (Kevin Hewitt)
Віце-президент
з глобальних розробок
Black & Decker Europe,
210 Bath Road, Slough,
Berkshire, SL1 3YD
Великобританія
18/05/2010

БЛЕК ЕНД ДЕККЕР

гарантійні умови

Шановний покупцю!

1. Вітаємо Вас з покупкою високоякісного виробу компанії Black & Decker та висловлюємо Вам свою вдячність за Ваш вибір.
- 1.1. Надійна робота цього виробу на протязі всього терміну експлуатації є предметом особливої турботи наших сервісних служб. У випадку виникнення будь-яких проблем в процесі експлуатації виробу ми рекомендуємо Вам звертатися лише до авторизованих сервісних організацій, адреси та телефони яких Ви зможете знайти в Гарантійному талоні або дізнатися в магазині. Наші сервісні центри – це не тільки кваліфікований ремонт, але і широкий вибір запчастин та аксесуарів.
- 1.2. При купівлі виробу вимагайте перевірки його комплекtnості та справності за Вашої присутності, наявності інструкції та заповненого Гарантійного талону на українській мові. За умов відсутності у Вас правильно заповненого Гарантійного талону ми будемо вимушені відхилити Ваші претензії щодо якості цього виробу.
- 1.3. Щоб уникнути всіх непорозумінь наполегливо просимо Вас перед початком роботи з виробом уважно ознайомитись з інструкцією щодо його експлуатації.
- 1.4. Звертаємо Вашу увагу на виключно побутове призначення цього виробу.
2. Правовою основою даних гарантійних умов є діюче Законодавство та, зокрема, Закон "Про захист прав споживачів".
3. Гарантійний термін на даний виріб складає 24 місяці та починається з дня продажу через роздрібну торгову мережу. У випадку усунення недоліків виробу гарантійний термін подовжується на період, протягом якого виріб не використовувався.
4. Термін служби виробу - 5 років (мінімальний, встановлений у відповідності до Закону "Про захист прав споживачів").
5. Наші гарантійні зобов'язання поширюються тільки на несправності, виявлені протягом гарантійного терміну та обумовлені виробничими та конструктивними факторами.
6. Гарантійні зобов'язання не поширюються:
 - 6.1. На несправності виробу, що виникли в результаті:
 - 6.1.1. Недотримання користувачем вказівок інструкції з експлуатації виробу.
 - 6.1.2. Механічних пошкоджень, викликаних зовнішнім ударним або іншим впливом.
 - 6.1.3. Використання виробу в професійних цілях та об'ємах, в комерційних цілях.
 - 6.1.4. Застосування виробу не за призначенням.
 - 6.1.5. Стихійного лиха.

- 6.1.6. Несприятливому атмосферному та інших зовнішніх впливах на виріб, таких як дощ, сніг, підвищена вологість, нагрів, агресивні середовища, невідповідність параметрів електромережі параметрам, вказаним на інструменті.
- 6.1.7. Використання аксесуарів, витратних матеріалів та запчастин, які не рекомендовані або не схвалені виробником.
- 6.1.8. Проникнення всередину інструменту сторонніх предметів, комах, матеріалів або речовин, що не є відходами, які супроводжують використання інструменту за призначенням, наприклад, стружки, опилки та ін.
- 6.2. На інструменти, що були відкриті, піддані ремонту або модифікації поза уповноваженим сервісним центром.
- 6.3. На приналежності, запчастини, що вийшли з ладу внаслідок нормального зносу, та витратні матеріали, такі як, приводні ремені, вугільні щітки, ножі, та ін.
- 6.4. На несправності, які виникли в результаті переважанення інструменту, що призвело до виходу з ладу електродвигуна або інших вузлів та деталей. До безумовних ознак переважанення виробу належать, зокрема: поява кольорів мінливості, деформація або оплавлення деталей та вузлів виробу, потемніння або обуглювання ізоляції дрітві електродвигуна під впливом високої температури.



Блек енд Декер ГмбХ,
Блек енд Декер Штрассе, 40,
65510 Ідштайн, Німеччина.

03 червня 1999 р.

Kullanım amacı

Black & Decker matkap/tornavidanız vida takma/sökme uygulamaları ve ahşap, metal ve plastik delme işlemleri için tasarlanmıştır. Bu alet sadece hafif hizmet ve hobi kullanımına yöneliktir.

Güvenlik talimatları

Genel elektrikli alet güvenlik talimatları



Uyarı! Bütün güvenlik uyarılarını ve talimatlarını mutlaka okuyun. Aşağıda listelenen uyarı ve talimatlara uyulmaması elektrik şoku, yangın ve/veya ciddi boyutta yaralanmalara neden olabilir.

Bütün uyarı ve güvenlik talimatlarını ileride bakmak üzere muhafaza edin. Aşağıda yer alan uyarılardaki "elektrikli alet" terimi şebeke elektrigiyle (kablolu) veya akü/pille (şarjlı) çalışan elektrikli aletinizi ifade etmektedir.

1. Çalışma alanının güvenliği

- Çalışma alanını temiz ve aydınlık tutun.** Karışık veya karanlık alanlar kazaya davetiye çıkarır.
- Elektrikli aletleri, yanıcı sıvılar, gazlar ve tozların bulunduğu yerler gibi yanıcı ortamlarda çalıştırmayın.** Elektrikli aletler, toz veya dumanları ateşleyebilecek kıvılcımlar çıkarır.
- Bir elektrikli aleti çalıştırırken çocuklardan ve etraftaki kişilerden uzak tutun.** Dikkatinizi dağıtıcı şeyler kontrolü kaybetmenize neden olabilir.

2. Elektrik güvenliği

- Elektrikli aletlerin fişleri prizlere uygun olmalıdır.** Fiş üzerinde kesinlikle hiçbir değişiklik yapmayın. Topraklı elektrikli aletlerde hiçbir adaptör fişi kullanmayın. Değiştirilmemiş fişler ve uygun prizler elektrik çarpması riskini azaltacaktır.
- Borular, radyatörler, ocaklar ve buzdolapları gibi topraklanmamış yüzeylerle vücut temasından kaçının.** Vücudunuzun topraklanması halinde yüksek bir elektrik çarpması riski vardır.
- Elektrikli aletleri yağmura maruz bırakmayın veya ıslatmayın.** Elektrikli alete su girmesi elektrik çarpması riskini arttıracaktır.
- Elektrik kablosunu uygun olmayan amaçlarla kullanmayın.** Elektrikli aleti kesinlikle kablosundan tutarak taşımayın, çekmeyin veya prizden çıkartmayın. Kabloyu sıcaktan, yağdan, keskin kenarlardan veya hareketli parçalardan uzak tutun. Hasarlı veya dolaşmış kablolar elektrik çarpması riskini artırır.

- Elektrikli bir aleti açık havada çalıştırıyorsanız, açık havada kullanıma uygun bir uzatma kablosu kullanın.** Açık havada kullanıma uygun bir kablonun kullanılması elektrik çarpması riskini azaltır.
- Eğer bir elektrikli aletin ıslak bir bölgede çalıştırılması zorluyorsa, bir artık akım aygıtı (RCD) korumalı bir kaynak kullanın.** Bir RCD kullanılması elektrik şoku riskini azaltır.

3. Kişisel güvenlik

- Elektrikli bir aleti kullanırken her zaman dikkatli olun, yaptığınız işe konsantre olun ve sağduyulu davranın.** Yorgun ya da ilaç, alkol veya bir tıbbi tedavinin etkisi altında olduğunuzda elektrikli bir alet kullanmayın. Elektrikli aletleri kullanırken bir anlık dikkatsizlik ciddi kişisel yaralanmayla sonuçlanabilir.
- Kişisel koruyucu ekipmanları mutlaka kullanın. Daima koruyucu gözlük takın.** Çocuklara uygun toz maskesi, kaymayan güvenlik ayakkabıları, baret veya kulaklık gibi koruyucu ekipmanların kullanılması kişisel yaralanmaları azaltacaktır.
- İstem dışı çalıştırılmasını önleyin. Cihazı güç kaynağına ve/veya akü takımına bağlamadan, yerden kaldırmadan veya taşımadan önce düğmenin kapalı konumda olduğundan emin olun.** Aleti, parmağınız düğme üzerinde bulunacak şekilde taşımak veya açık konumdaki elektrikli aletleri elektrik şebekesine bağlamak kazaya davetiye çıkarır.
- Elektrikli aleti açmadan önce tüm ayarlama anahtarlarını çıkartın.** Elektrikli aletin hareketli bir parçasına takılı kalmış bir anahtar kişisel yaralanmaya neden olabilir.
- Ulaşmakta zorlandığınız yerlerde kullanmayın. Daima sağlam ve dengeli basın.** Bu, beklenmedik durumlarda elektrikli aletin daha iyi kontrol edilmesine olanak tanır.
- Uygun şekilde giyinin. Bol elbiseler giymeyin ve takı takmayın. Saçınızı, elbiselerinizi ve eldivenlerinizi hareketli parçalardan uzak tutun.** Bol elbiseler ve takılar veya uzun saç hareketli parçalara takılabilir.
- Eğer kullandığınız üründe toz emme ve üfleme özelliği olan adaptör varsa onun gerekli aletlere bağlanmasını ve doğru fonksiyonunu sağlayın.** Bu adaptörün kullanılması tozla ilgili tehlikeleri azaltabilir.

4. Elektrikli aletlerin kullanımı ve bakımı

- Elektrikli aleti zorlamayın. Uygulamanız için doğru elektrikli aleti kullanın.** Doğru elektrikli alet, öngörüldüğü kullanım amacı doğrultusunda

görevini daha iyi ve daha güvenli bir şekilde yerine getirecektir.

- b. **Düğme açmıyor ve kapatmıyorsa elektrikli aleti kullanmayın.** Düğmeyle kontrol edilemeyen tüm elektrikli aletler tehlikelidir ve tamir edilmesi gerekmektedir.
- c. **Herhangi bir ayarlama yapmadan, aksesuar değiştirmeden veya elektrikli aleti saklamak üzere kaldırmadan önce elektrik şebekesiyle olan bağlantısını kesin.** Bu tür önleyici güvenlik tedbirleri elektrikli aletin istem dışı olarak çalıştırılması riskini azaltacaktır.
- d. **Elektrikli aleti, çocukların ulaşamayacağı yerlerde saklayın ve elektrikli aleti tanımayan veya bu talimatları bilmeyen kişilerin elektrikli aleti kullanmasına izin vermeyin.** Elektrikli aletler, eğitimsiz kullanıcıların elinde tehlikelidir.
- e. **Elektrikli aletleri iyi durumda muhafaza edin. Hareketli parçalardaki hizalama hatalarını ve tutuklukları, parçalardaki kırılmalar ve elektrikli aletin çalışmasını etkileyebilecek tüm diğer koşulları kontrol edin. Hasarlı ise, elektrikli aleti kullanmadan önce tamir ettirin.** Kazaların çoğu, elektrikli aletlerin bakımının yeterli şekilde yapılmamasından kaynaklanır.
- f. **Kesim aletlerini keskin ve temiz tutun.** Bakımı uygun şekilde yapılmış keskin kesim uçlu kesim aletlerinin sıkışma ihtimali daha düşüktür ve kontrol edilmesi daha kolaydır.
- g. **Elektrikli aleti, aksesuarları, alet uçlarını vb. bu talimatlara göre çalışma koşullarını ve yapılacak işi dikkate alarak kullanın.** Elektrikli aletin öngörülen işlemler dışındaki işlemler için kullanılması tehlikeli durumlara neden olabilir.

5. Şarjlı aletlerin kullanımı ve bakımı

- a. **Sadece üretici tarafından belirtilen şarj cihazı ile şarj edin.** Bir akü tipine uygun bir şarj cihazı başka tipte bir aküyü şarj etmek için kullanıldığında yangın riski yaratabilir.
- b. **Elektrikli aletleri yalnızca özel olarak tanımlanmış akülerle kullanın.** Başka bir akünün kullanılması yaralanma veya yangın riskine yol açabilir.
- c. **Akü kullanımda değilken, ataç, bozuk para, anahtar, çivi, vida veya terminaller arasında kontağa neden olabilecek diğer küçük metal nesnelere uzak tutulmalıdır.** Akü terminallerinin birbirine kısa devre yapılması yanıklara veya yangına neden olabilir.
- d. **Uygun olmayan koşullarda, akü sıvı sızıntısı yapabilir; sıvıya temas etmekten kaçının. Kazara temas etmeniz halinde suyla yıkayın. Sıvı, gözlerinize temas ederse, ayrıca bir**

doktora başvurun. Aküden sıvı sızması tahriş veya yanıklara neden olabilir.

6. Servis

- a. **Elektrikli aletinizi, sadece orijinal yedek parçaların kullanıldığı yetkili Black & Decker servisine tamir ettirin.** Bu, elektrikli aletin güvenliğinin muhafaza edilmesini sağlayacaktır.

Elektrikli aletler için ek güvenlik talimatları



Uyarı! Matkap ve darbeli matkaplar için ek güvenlik talimatları

- ◆ **Darbeli matkapları kullanırken kulaklık takın.** Yüksek sese maruz kalmak işitme kaybına yol açabilir.
- ◆ **Aletle birlikte verilmiş olan yardımcı tutma kollarını kullanın.** Kontrol kaybı kişisel yaralanmalara neden olabilir.
- ◆ **Kesme aksesuarının gizli kablolarla temas edebileceği yerlerde çalışma yaparken elektrikli aleti yalıtımlı kavrama yüzeylerinden tutun.** Kesme aksesuarının «akım taşıyan» bir kabloya temas etmesi durumunda elektrikli aletin metal kısımları da «akım taşıyıcı» hale gelecek ve kullanıcının elektrik çarpmasına neden olabilir.
- ◆ **Bağlantı parçasının gizli kablolarla temas edebileceği yerlerde çalışma yaparken elektrikli aleti yalıtımlı kavrama yüzeylerinden tutun.** Bağlantı parçalarının «akım taşıyan» bir kabloya temas etmesi durumunda elektrikli aletin metal kısımları da «akım taşıyıcı» hale gelecek ve kullanıcının elektrik çarpmasına neden olabilir.
- ◆ **Üzerinde çalıştığınız parçayı sabitlemek ve desteklemek için kelepçeler veya başka pratik yöntemler kullanın.** Parçayı elle veya vücudunuza dayamanız dengesiz durmasına neden olacaktır ve aletin kontrolünü kaybetmenize yol açabilir.
- ◆ **Duvar, zemin veya tavanda delik açmadan önce kablo ve boruların konumunu kontrol edin.**
- ◆ **Delme işleminin hemen ardından matkap ucuna dokunmaktan kaçının; sıcak olabilir.**
- ◆ **Bu alet fiziksel ve zihinsel kapasitesinin yanı sıra algılama gücü azalmış olan veya yeterince deneyim ve bilgisi bulunmayan kişiler (çocuklar dahil) tarafından kullanılmak üzere üretilmemiştir. Bu tür kişiler aleti ancak güvenliklerinden sorumlu bir kişi tarafından cihazın kullanımıyla ilgili talimatların verilmesi veya sürekli kontrol altında tutulması durumunda kullanabilir. Ço-**

cuklar, aletle oynamalarının önlemek amacıyla kontrol altında tutulmalıdır.

- ◆ Kullanım amacı bu kullanım kılavuzunda açıklanmıştır. Herhangi bir aksesuarın veya bağlantının ya da işlemin, bu kılavuzda tavsiye edilen şekilden başka bir şekilde kullanılması şahısların yaralanmalarına ve/veya mal kaybına yol açabilir.

Akü ve şarj cihazları için ek güvenlik talimatları

Aküler

- ◆ Kesinlikle, hiçbir nedenle açmaya çalışmayın.
- ◆ Aküleri suya maruz bırakmayın.
- ◆ Sıcaklığın 40 °C'yi aşabileceği yerlerde saklamayın.
- ◆ Sadece 10 °C ila 40 °C arasındaki ortam sıcaklıklarında şarj edin.
- ◆ Sadece aletle birlikte verilen şarj cihazını kullanarak şarj edin.
- ◆ Aküleri atarken, "Çevrenin korunması" başlıklı bölümdeki talimatlara uyun.



Hasarlı aküleri şarj etmeye çalışmayın.

Şarj cihazları

- ◆ Black & Decker şarj cihazınızı, yalnızca aletle birlikte verilen aküyü şarj etmek için kullanın. Diğer aküler patlayarak yaralanmanıza veya hasar meydana gelmesine yol açabilir.
- ◆ Şarj edilme özelliği olmayan aküleri kesinlikle şarj etmeye çalışmayın.
- ◆ Kusurlu kabloları hemen değiştirin.
- ◆ Şarj cihazını suya maruz bırakmayın.
- ◆ Şarj cihazını açmayın.
- ◆ Şarj cihazını delmeyin.



Şarj cihazı, yalnızca kapalı alanda kullanım içindir.



Aleti kullanmadan önce kullanım kılavuzunu okuyun.



127°C

- ◆ Ortam sıcaklığının çok yüksek olması durumunda şarj cihazı otomatik olarak kapanır. Termik kesici sadece bir defa çalışır ve sonrasında tamamen değiştirilmesi gerekmektedir.

Titreşim

Teknik veriler ve uygunluk beyanati içerisinde belirtilen titreşim emisyon değerleri EN60745 tarafından

belirlenen standart bir test yöntemine uygun olarak ölçülmektedir ve diğer bir aletle karşılaştırma yaparken kullanılabilir. Beyan edilen titreşim emisyon değeri aynı zamanda maruz kalmanın önceden değerlendirilmesinde de kullanılabilir.

Uyarı! Elektrikli aletin mevcut kullanım sırasındaki titreşim emisyon değeri, aletin kullanım yöntemine bağlı olarak, beyan edilen değere göre farklılık sergileyebilir. Titreşim düzeyi belirlenen seviyenin üzerinde artış gösterebilir.

İşyerinde düzenli olarak elektrikli alet kullanan çalışanları korumak amacıyla 2002/44/EC tarafından getirilen elektrik güvenliği önlemlerini belirlemek üzere titreşime maruz kalmayı değerlendirirken, çalışma döngüsü içerisinde örneğin aletin kapalı olduğu ve aktif durumda olmasının yanı sıra boşta çalıştığı zamanlar gibi, bütün zaman dilimleri dahil olmak üzere mevcut kullanım durumu ve aletin kullanım şekli göz önünde bulundurularak değerlendirilmelidir.

Alet üzerindeki etiketler

Alet üzerinde aşağıdaki resimler bulunmaktadır:



Uyarı! Yaralanma riskini en aza indirmek için kullanıcı kullanım talimatlarını mutlaka okumalıdır.

Elektrik güvenliği



Şarj cihazınız çift yalıtımlıdır; Bu yüzde, hiçbir topraklama kablosuna gerek yoktur. Her zaman şebeke geriliminin aletin üretim etiketinde belirlenmiş değerlere uyup uymadığını kontrol edin. Şarj cihazı ünitesini kesinlikle normal bir elektrik fişi ile değiştirmeye kalkışmayın.

- ◆ Elektrik kablosu hasarlı ise, bir tehlike oluşmasını önlemek için üretici ya da yetkili Black & Decker Servisi tarafından değiştirilmelidir.

ÖZELLİKLER

Bu alet, aşağıdaki özelliklerin bir kısmını veya tümünü içermektedir.

1. Değişken hız düğmesi veya iki hız düğmesi
2. İleri/geri sürgüsü
3. Mod seçici/tork ayarlama bileziği
4. Mandren
5. Akü
6. Akü çıkartma düğmesi

Şekiller C ve D

7. Şarj cihazı adaptörü
8. Şarj cihazı yuvası
9. Şarj cihazı girişi
10. Şarj cihaz fişi

Montaj

Uyarı! Monte etmeden önce, aküyü aletten çıkartın.

Akünün takılması ve çıkartılması (Şekil A)

- ◆ Aküyü (5) takmak için, alet üzerindeki yuva ile aynı hizaya getirin. Aküyü yuvasına kaydırın ve yerine oturana kadar itin.
- ◆ Aküyü çıkartmak için, çıkartma düğmesine (6) basın ve aynı esnada aküyü yuvadan çekin.

Akú kapađının takılması (Şekil B)

Uyarı! Kapađı (11), akúye (5) nakliye ve saklama amacıyla takın.

Matkap veya tornavida ucunun takılması ve çıkartılması (Şekil E)

Uyarı! İlk olarak aküyü aletten çıkartın.

Bu alet, uçların kolayca deđiştirilmesini sađlamak için anahtarsız bir mandren ile donatılmıştır.

- ◆ İleri/geri sürgüsünü (2) orta konuma getirerek aleti kilitleyin.
- ◆ Bir elinizle arka kısmı (12) tutarken diđer elinizle ön kısmı (13) çevirerek mandreni açın.
- ◆ Ucun mil kısmını (14) mandrene sokun.
- ◆ Bir elinizle arka kısmı (12) tutarken diđer elinizle ön kısmı (13) çevirerek mandreni sađlam bir şekilde sıkın.

Mandrenin çıkarılması ve yeniden takılması (Şekil F)

- ◆ Mandreni mümkün olduđunca açın.
- ◆ Mandreni tutan vidayı bir tornavida yardımıyla saat yönünde çevirerek çıkartın.
- ◆ Mandrenin içine bir Allen anahtarı (15) sıkın ve gösterildiđi gibi bir çekiçle anahtara vurun.
- ◆ Allen anahtarını çıkarın.
- ◆ Mandreni saat yönünün tersine döndürerek çıkarın.
- ◆ Mandreni tekrar takmak için, onu milin üzerine vidalayın ve mandren tutucu vidayla sabitleyin.

Diđer tehlikeler.

Aletin kullanımıyla ilgili ekte sunulan güvenlik uyarılarına dahil olmayan ilave kalıcı riskler ortaya çıkabilir. Bu riskler, hatalı, uzun süreli kullanım vb. dolayısıyla ortaya çıkabilir.

Emniyet tedbirlerini düzenleyen yönetmeliđin uygulanmasına ve emniyet sađlayıcı aygıtların kullanılmasına rađmen, başka belirli risklerden kaçınılamaz. Bunlar:

- ◆ **Aletin dönen ve hareket eden parçalarına dokunma sonucu ortaya çıkan yaralanmalar.**
- ◆ **Herhangi bir parçayı, bıçak veya aksesuarı deđiştirirken ortaya çıkan yaralanmalar.**

- ◆ **Aletin uzun süreli kullanılması sonucu ortaya çıkan yaralanmalar. Herhangi bir aleti uzun sürelerle kullanacaksanız düzenli olarak çalışmanıza ara verin.**

- ◆ **Duyuma bozukluđu.**

- ◆ **Aleti kullanırken ortaya çıkan tozun solunması sonucu ortaya çıkan sađlık sorunları (örnek: ađşapta çalışırken, özellikle meşe, akđürven ve MDF.)**

Kullanımı

Uyarı! Aletin kendi hızında çalışmasına izin verin. Ađırı yüklenmeyin.

Akünün şarj edilmesi

Akünün, ilk kullanımdan önce ve daha önce kolayca yapılan işler için yeterli gücü üretmediđi hallerde şarj edilmesi gereklidir. Aküyü ilk kez veya uzun süre bekleddikten sonra şarj ederken sadece %80 düzeyinde şarj olacaktır. Birkaç şarj ve deşarj döngüsünden sonra, akú tam kapasitesine ulaşacaktır. Akú, şarj sırasında ısınabilir; bu normal bir durumdur ve herhangi bir soruna işaret etmez.

Uyarı! Aküyü, 10 °C'nin altında veya 40 °C'nin üstündeki sıcaklıklarda şarj etmeyin. Tavsiye edilen şarj sıcaklıđı: yaklaşık 24 °C.

Yuvalı şarj cihazı (Şekil C)

- ◆ Aküyü (5) şarj etmek için, aletten çıkartıp şarj cihazı yuvasını (8) akünün üzerine kaydırın.
 - ◆ Şarj cihazını (7) prize takın.
- Normal kullanımdan sonra 3 saatlik bir şarj süresi en iyi uygulama için yeterli gücü sađlayacaktır. Ancak, 6 saat süreyle şarj edilmesi, akú ve şarj koşullarına bađlı olarak kullanım süresini önemli oranda arttırabilir.
- ◆ Aküyü şarj cihazından çıkartın.

Fişli şarj cihazı (Şekil D)

- ◆ Aküyü şarj etmek için matkaba takılı olduđundan emin olun.
- ◆ Şarj cihazı fişini (10) girişe (9) sokun.
- ◆ Şarj cihazını prize takın.
- ◆ Şebekeyi açın.

Normal kullanımdan sonra 3 saatlik bir şarj süresi en iyi uygulama için yeterli gücü sađlayacaktır. Ancak, 6 saat süreyle şarj edilmesi, akú ve şarj koşullarına bađlı olarak kullanım süresini önemli oranda arttırabilir.

- ◆ Aleti şarj cihazından ayırın.

Uyarı! Aleti, şarj cihazına bađlı halde kullanmayın.

Dönme yönünün seçilmesi


Delik açmak ve vida sıkmak için ileri (saat yönünde) dönmeyi kullanın. Vidaları gevşetmek veya sıkışmış

bir matkap ucunu çıkartmak için geri (saatin aksi yönde) dönmeyi kullanın.

- ◆ İleri dönmeyi seçmek için ileri/geri sürgüsünü (2) sola itin.
- ◆ Geri dönmeyi seçmek için ileri/geri sürgüsünü sağa itin.
- ◆ Aleti kilitlemek için ileri/geri sürgüsünü orta konuma getirin.

Çalışma modu ya da torkunun seçilmesi (şekil G)

Bu alet, çalışma modunun seçilmesi ve vida sıkma torkunun ayarlanması için bir bilezikle donatılmıştır. Büyük vidalar ve sert malzemeli parçalar, küçük vidalar ve yumuşak malzemeli parçalara nazaran daha yüksek bir tork ayarı gerektirirler. Bilezik, uygulamanıza uyacak geniş bir kademeli tork ayar aralığına sahiptir.

- ◆ Ahşap, metal ve plastik delme işlemleri için  sembolünü işaretle (16) hizalayarak bileziği (3) delme konumuna getirin.
- ◆ Vida takma ve sökme işlemleri için bileziği istediğiniz konuma getirin. Henüz uygun ayarı bilmiyorsanız, aşağıda belirtildiği şekilde ilerleyin:
 - Bileziği (3) en düşük tork ayarına getirin.
 - Ardından ilk vidayı sıkın.
 - Vida sonuna kadar sıkılmazsa veya tornavida ucu vida başını sıyrırorsa tork ayarını yükseltin ve vidayı sıkmaya devam edin. Doğru ayara ulaşıncaya kadar tekrarlayın. Kalan vidalar için de bu ayarı kullanın.

Açılması ve kapatılması

Değişken hız düğmesi

- ◆ Aleti açmak için, değişken hız ayarlı tetiğe (1) basın. Aletin hızı, düğmeye ne kadar bastığınızıza bağlıdır.
- ◆ Aleti kapatmak için, değişken hız ayarlı tetiği bırakın.

Yararlı tavsiyeler

Delme

- ◆ Daima matkap ucuna düz bir çizgide hafif bir baskı uygulayın.
- ◆ Matkap ucu, üzerinde çalıştığınız parçanın öbür yüzünden çıkmadan hemen önce alet üzerindeki baskıyı azaltın.
- ◆ Parçalanabilecek malzemeleri desteklemek için bir tahta parçası kullanın.
- ◆ Ahşapta büyük çaplı delikler delerken geniş ağızlı uç kullanın.
- ◆ Metali delerken HSS matkap uçları kullanın.

- ◆ Beton delerken beton uçları kullanın.
- ◆ Döküm demir ve pirinç dışındaki metalleri delerken bir yağlayıcı kullanın.
- ◆ Hassaslığı artırmak için delinecek deliğin ortasına bir çentik atın.

Vida takma-çıkartma

- ◆ Daima doğru tipte ve boyutta tornavida ucu takın.
- ◆ Vidaları sıkmakta zorlanıyorsanız, yağlayıcı olarak az miktarda deterjan veya sabun kullanmayı deneyin.
- ◆ Aleti ve tornavida ucunu daima vidaya dik bir çizgide tutun.

Bakım

Black & Decker aletiniz minimum bakımla uzun bir süre çalışacak şekilde tasarlanmıştır. Kesintisiz olarak memnuniyet verici bir şekilde çalışması gerekli özenin gösterilmesine ve düzenli temizliğe bağlıdır.

Şarj cihazınız, düzenli temizlik dışında herhangi bir bakım gerektirmemektedir.

Uyarı! Alet üzerinde herhangi bir bakım yapmadan önce aküyü aletten çıkartın. Şarj cihazını temizlemeden önce fişten çekin.

- ◆ Aletinizdeki ve şarj cihazındaki havalandırma deliklerini yumuşak bir fırça veya kuru bir bezle düzenli olarak temizleyin.
- ◆ Motor mahfazasını nemli bir bezle düzenli olarak temizleyin. Herhangi bir aşındırıcı veya çözücü bazlı temizlik maddesi kullanmayın.
- ◆ Düzenli aralıklarla mandreni açın ve hafifçe vurarak iç kısımdaki tozların dökülmesini sağlayın.

Çevrenin korunması



Ayrı olarak atın. Bu ürün, normal evsel atıklarla birlikte atılmamalıdır.

Black & Decker ürününüzün değiştirilmesi gerektiğini düşünmeniz veya artık kullanılamaz durumda olması halinde onu, evsel atıklarla birlikte atmayın. Bu ürünü, ayrı olarak toplanacak şekilde atın.



Kullanılmış ürünlerin ve ambalajların ayrı olarak toplanması bu maddelerin geri dönüşüme sokularak yeniden kullanılmasına olanak tanır. Geri dönüşümlü maddelerin tekrar kullanılması çevre kirliliğinin önlenmesine yardımcı olur ve ham madde ihtiyacını azaltır.

Yerel yönetmelikler, elektrikli ürünlerin evlerden toplanıp belediye atık tesislerine aktarılması veya yeni

bir ürün satın alırken perakende satıcı tarafından toplanması yönünde hükümler içerebilir.

Black & Decker, hizmet ömrünün sonuna ulaşan Black & Decker ürünlerinin toplanması ve geri dönüşüme sokulması için bir imkan sunmaktadır. Bu hizmetin avantajlarından faydalanmak için, lütfen, ürününüzü bizim adımıza teslim alacak herhangi bir yetkili servise iade edin.

Bu kılavuzda belirtilmiş olan listeden size en yakın yetkili tamir servisimizin yerini öğrenebilirsiniz. Alternatif olarak, yetkili Black & Decker servislerinin listesi, satış sonrası hizmetlerimizle ilgili tüm bilgiler ve temas bilgilerine İnternet üzerinden erişebilirsiniz: www.2helpU.com

Aküler



Black & Decker aküler defalarca şarj edilebilir. Hizmet ömürlerinin sonunda, aküleri çevremize gerekli özeni göstererek atın.

- ◆ Aküyü sonuna kadar bitirip aletten çıkartın.
- ◆ NiCd, NiMH ve Li-Ion aküler geri dönüştürülebilir. Bunları, herhangi bir yetkili servise veya bölgenizdeki geri dönüşüm istasyonuna götürün.

Teknik veriler

		EPC12 (H1)	EPC14 (H1)
Voltaj	V_{DC}	12	14,4
Yüksüz hızı	dev/dak	0-750	0-750
Maks. tork	Nm	11	12,1
Mandren kapasitesi	mm	10	10
Maks. delme kapasitesi			
Çelik	mm	10	10
Ahşap	mm	25	25

Akü		A12E	A14E
Kapasite	Ah	1,2	1,2
Akü tipi		NiCd	NiCd
Ağırlık	kg	0,58	0,68

Akü		A12NH	A14NH
Kapasite	Ah	1,5	1,5
Akü tipi		NiMH	NiMH
Ağırlık	kg	0,6	0,7

Şarj Cihazı

		90500843	90500844
		90500847	90500848
		90500855	90500856
		90500858	90500859
Giriş voltajı	V_{AC}	230-240	230-240
Çıkış voltajı	V_{DC}	14,5-15,3	17,4-18,2
Çıkış akımı	mA	210-220	200-210
Yaklaşık şarj süresi	saat	8-10	8-10

		EPC18 (H1)	EPC96 (H1)
Voltaj	V_{DC}	18	9,6
Yüksüz hızı	dev/dak	0-750	0-750
Maks. tork	Nm	12,1	10,4
Mandren kapasitesi	mm	10	10
Maks. delme kapasitesi			
Çelik	mm	10	10
Ahşap	mm	25	25

Akü		A18E	B96
Kapasite	Ah	1,2	1,2
Akü tipi		NiCd	NiCd
Ağırlık	kg	0,82	0,42

Akü		A18NH	
Kapasite	Ah	1,5	
Akü tipi		NiMH	
Ağırlık	kg	0,9	

Şarj Cihazı

		90500845	90500842
		90500849	90500846
		90500857	90500850
		90500860	90500854
Giriş voltajı	V_{AC}	230-240	230-240
Çıkış voltajı	V_{DC}	21,75-22,6	11,6-12,2
Çıkış akımı	mA	210-230	210-220
Yaklaşık şarj süresi	saat	8-10	8-10

EN 60745'e göre ses basıncı düzeyi:

Ses basıncı (L_{pA}) 73 dB(A), belirsizlik (K) 3 dB(A),
Akustik güç (L_{WA}) 84 dB(A), belirsizlik (K) 3 dB(A)

EN 60745'e göre tespit edilen toplam titreşim değerleri (üç yönün vektör toplamı):

Metalde delme ($a_{h,D}$) < 2,5 m/s², belirsizlik (K) 1,5 m/s²,
Darbesiz vidalama ($a_{h,S}$) < 2,5 m/s²,
belirsizlik (K) 1,5 m/s²

AT uygunluk beyanati MAKİNE DİREKTİFİ



EPC12/EPC14/EPC18/ EPC96

Black & Decker, «teknik özellikleri» bölümünde açıklanan bu ürünlerin aşağıda belirtilen yönergelere uygun olduğunu beyan eder: 2006/42/EC, EN60745-1, EN60745-2-1

Daha fazla bilgi için, lütfen aşağıdaki adresten Black & Decker ile irtibata geçin veya kılavuzun arkasına bakın.

Aşağıda imzası bulunan, teknik dosyanın derlenmesinden ve Black & Decker adına bu bildirim yapmaktan sorumludur.

Kevin Hewitt
Başkan Yardımcısı,
Global Mühendislik
Black & Decker Europe,
210 Bath Road, Slough,
Berkshire, SL1 3YD
İngiltere,
18/05/2010

yakın yetkili servis adresini öğrenebilirsiniz. Ya da, alternatif olarak internet'ten Black & Decker yetkili tamir servislerinin listesini ve satış sonrası hizmetlerimizle ilgili tüm bilgiler ve temas bilgilerine aşağıdaki siteden ulaşabilirsiniz.

www.2helpU.com

Sanayi ve Ticaret Bakanlığı tebliğince kullanım ömrü 10 yıldır.

Türkiye Distribütörü
KALE HIRDAVAT VE MAKİNA A.Ş.
Defterdar Mah. Savaklar Cad. No. 15
34050 Edirnekapı Eyüp İstanbul

Garanti

Black & Decker, ürünün kalitesinden emindir ve bu yüzden kanunlarda belirtilen taleplerin üstünde bir garanti verir. Ayrıca bu garanti hiçbir şekilde garanti ile ilgili kanuni haklarınızı ihlal etmez ve haklarınızı hiç bir şekilde kısıtlamaz. İşbu garanti Avrupa Birliği'ne üye ülkeler ile Avrupa Serbest Ticaret Bölgesi sınırları dahilinde geçerlidir.

Eğer bir Black & Decker ürünü, satın alma tarihinden itibaren 24 ay içinde hatalı malzeme ve işçilik nedeniyle bozulursa, müşteriye mümkün olabilecek en az sorunu yaşatarak Black & Decker hatalı kısımları değiştirmeyi, adil bir şekilde aşınmış ve yıpranmış ürünleri tamir etmeyi veya değiştirmeyi garanti eder. Ancak bu belirtilenler şu durumlar dışında geçerlidir:

- ◆ Ürün ticari veya profesyonel amaçlarla kullanılmışsa veya kiraya verilmişse;
- ◆ Ürün yanlış veya amaç dışı kullanılmışsa;
- ◆ Ürün yabancı nesnelere, maddelere veya kaza sırasında zarar görmüşse;
- ◆ Yetkili tamir servisleri veya Black & Decker servis ekibinden başkası tarafından tamir edilmeye çalışılmışsa.

Garanti talebinde bulunmak için, satıcıya veya yetkili tamir servisine satın aldığınıza dair ispat sunmalısınız. Fatura ve garanti kartı gerekmektedir. Bu kullanım kılavuzunda belirtilen listeden size en

No.	İl	Yetkili Servis	Adres	Telefon
1	Adana	Emin Elektrik	Kızılay Cad. 6.Sok. No.9/D	0322 351 80 46
2	Amasya	Teknik Bobinaj	Beyazıt Paşa Mah. Mehmet Vorinli Cad. No.20/B	0358 218 26 82
3	Ankara	Orhan Bobinaj	Yalınç Sok. No.17 Siteler	0312 350 95 29
4	Ankara	Yiğit Bobinaj	Merkez 668.Sok. Eminel Yapı Koop. No.8 İvedik Ostim	0312 395 05 37
5	Antalya	E.B.A. Elektrik	Sanayi Sitesi 682.Sok. No.38	0242 345 36 22
6	Antalya - Alanya	Abaloğlu Bobinaj	Sanayi Sitesi Yeni Yol Girişi No.8	0242 512 02 16
7	Aydın	Tacıroğlu Bobinaj	2.Sanayi Sitesi 3.Sok. No.55	0256 219 43 30
8	Aydın - Kuşadası	Özgür Bobinaj	Kuşadası Sanayi Sitesi J.Blok No.13	0256 622 13 73
9	Balıkesir	Tezger Bobinaj	Küçük Sanayi Bölgesi Dökmeciler Sok. No.15	0266 241 63 85
10	Balıkesir - Bandırma	Küre Bobinaj	Atatürk Cad. No.104 Bandırma	0266 718 46 79
11	Balıkesir - Edremit	Özkan Bobinaj	Cennet Ayağı Mah. Demirbaş Sitesi A4-B1. No.2/B	0266 374 20 29
12	Bursa	Vokart	Gazlılar Cad. Erikli Bahçe Sok. No.6/B	0224 254 48 75
13	Çanakkale	Kısacık Bobinaj	Namık Kemal Mah. Kaynak Sok. No.41	0286 217 96 71
14	Çorum	Emek Bobinaj	Küçük Sanayi Sitesi 23.Cad. No.5/C Cami yanı	0364 234 68 84
15	Denizli	Örsler Bobinaj	Bakırlı Mah. 171.Sok. Sedef Çarşısı No.9-10	0258 261 42 74
16	Diyarbakır	Çetsan Elektrik	İnönü Cad. Ziya Gökalp Sok. No.45	0412 237 29 04
17	Düzce	Yıldız Makine	Burhaniye Mah. Gen. Kazım Sok. No.10	0380 514 70 56
18	Edirne	Efe Bobinaj	Sanayi Sitesi 22.Blok No.5	0284 225 35 73
19	Erzincan	Ümit Elektrik Makine	Sanayi Çarşısı 767.Sok. No.71	0446 224 08 01
20	Eskişehir	Meriç Bobinaj	Akçağlan Mah. Meriç Sok. No.4/A	0222 230 94 44
21	Gaziantep	Karashaşin Bobinaj	Şenyurt Cad. No.35 Şahinbey	0342 231 17 33
22	İsparta	İşık Bobinaj	Piri Mehmet Mah. 107.Cad. No.5	0246 223 20 28
23	İçel - Mersin	Şekerler Elektrik Bobinaj	Nusratiye Mah. 5005.Sok. No.20/A	0324 336 70 98
24	İçel - Mersin	Üniversal Bobinaj	Nusratiye Mah. Çiftçiler Cad. 68.Sok. No.19	0324 233 44 29
25	İstanbul	AKEL Elektrik Servis Hiz.	Yukarı Dudullu Nato Yolu Cad. No.109B Ümraniye	0216 540 53 54
26	İstanbul	Fırat Dış Ticaret	Tersane Cad. Kut Han No.38 K.3 D.307-308 Karaköy	0212 252 93 43
27	İstanbul	Birlik Elektromekanik	Perpa Tic. Merkezi B.Blok Mavi Avlu Kat.4 No.318 Okmeydanı	0212 222 94 18
28	İstanbul	Kardeşler Bobinaj	Çağlayan Mah. Sinanpaşa Cad. No.5 Çağlayan	0212 224 97 54
29	İstanbul	Mert Elektrik Ltd.	İkitelli Org. Sanayi Demirciler Sitesi D2.Blok No.280 İkitelli	0212 549 65 78
30	İstanbul	SVS Teknik	İstasyon Cad. GLBTAŞ Sanayi Sitesi No.24 Kat 2 İçmeler Tuzla	0216 446 69 39
31	İstanbul	Tarık Makina Ltd.	Bağdat Cad. Adalı Sok. No.101/10 Maltepe	0216 370 21 11
32	İstanbul	Tekniker Bobinaj	Birlik Sanayi Sitesi 7.Cad. No.2 Beylikdüzü	0212 875 19 31
33	İzmir	Birlik Bobinaj	2824 Sok. No.18 Halkapınar 1.Sanayi Sitesi	0232 458 39 42
34	İzmir	Boro Cıvata	1203/2.Sok. No.B2 Gıda Çarşısı Yenışehir	0232 469 80 70
35	İzmir	Doruk Hırdavat	1426.Sok. No.14 Hurdacılar Sitesi Doğanlar Bornova	0232 478 14 12
36	Kayseri	Akın Elektrik	Eski Sanayi Bölgesi 5.Cad. No.8	0352 336 41 23
37	Kocaeli - Gebze	Gülsoy Elektrik	Menzilhane Cad. 1111.Sok. No.7	0262 646 92 49
38	Kocaeli - İzmit	Efe Elektrik Bobinaj	Körfez Küçük Sanayi Sitesi 12.Blok No.13	0262 335 18 94
39	Konya	Murat Bobinaj	Karatay Sanayi Çiçekli Sok. No.83	0332 235 64 63
40	Konya	Sözener Bobinaj	Fevzi Çakmak Mah. Komsan İş Mer. 10562 Sok. No.62	0332 342 63 18
41	Kütahya	Doğan Bobinaj	Yeni Sanayi Sitesi 19.Sok. No.28/1	0274 231 22 00
42	Malatya	Özer Bobinaj	Yeni Sanayi Sitesi 2.Cad. No.95	0422 336 39 53
43	Muğla - Bodrum	Bodrum Makine	Türkuyusu Mah. Etem Demiröz Sok. Sanayi Sitesi 12	0252 316 28 51
44	Muğla - Marmaris	Başaran Teknik	Beldibi Cad. No.5/C	0252 412 85 11
45	Neşehir	Çiftgüç Elektrik	Yeni Sanayi Sitesi 8.Blok No.53	0384 213 19 96
46	Sakarya - Adapazarı	Engin El. Bobinaj	Papuççular Mah. Papuççular Cad. No.40	0264 273 87 69
47	Samsun	Akış Bobinaj	Sanayi Sitesi Ulus Cad. No.31B	0362 238 07 23
48	Sivas	Bayraktar Elektrik	Yeni Çarşı No.72C	0346 221 47 55
49	Tekirdağ - Çorlu	Ümit Elektrik	Camiatik Mah. Ereğli Sok. No.1	0282 653 27 77
50	Tokat	Çetin Elektrik	Sanayi Sitesi No.22 Cami Altı	0356 214 63 07
51	Trabzon	Makina Market	Rize Cad. No.71 Değirmendere	0462 328 14 80
52	Uşak	Zengin Bobinaj	İsliçe Mah. Ürem Sok. No.10/C	0276 227 27 46
53	Yalova	Kale İnşaat	Merkez Mah. Devlet Yolu Cad. No.70 Paytazdere Yalova	0226 461 22 42
54	Zonguldak - KDZ Ereğli	Tümen Bobinaj	Kışla Sanayi Sitesi D.Blok No.17	0372 323 74 97

Partial support - Only parts shown available
 Nur die aufgeführten teile sind lieferbar
 Réparation partielle - Seules les pièces indiquées sont disponibles
 Supporto parziale - Sono disponibili soltanto le parti evidenziate
 Solo estan disponibles las piezas listadas
 So se encontram disponíveis as peças listadas
 Gedeeltelijke ondersteuning - alleen de getoonde onderdelen zijn beschikbaar

