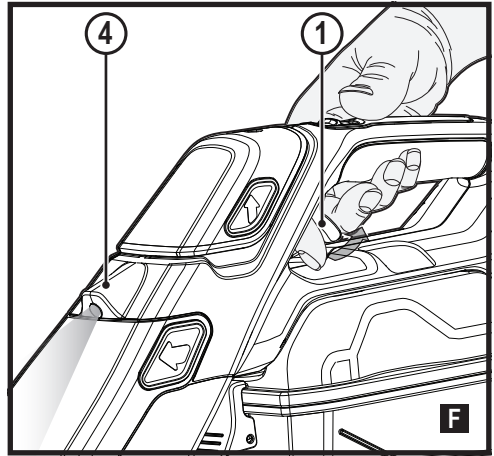
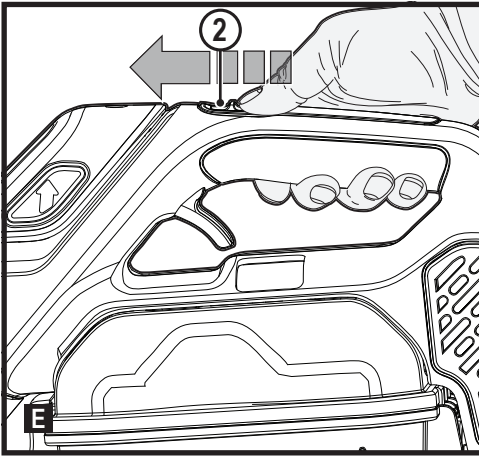
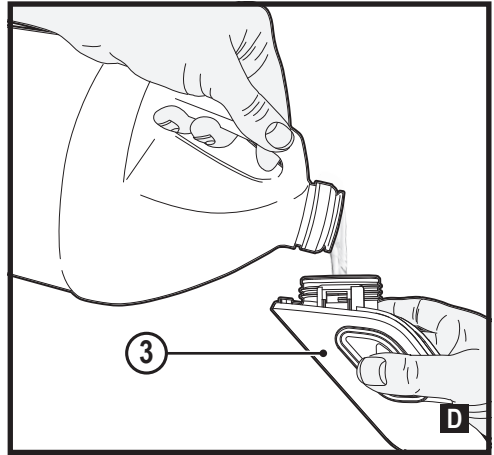
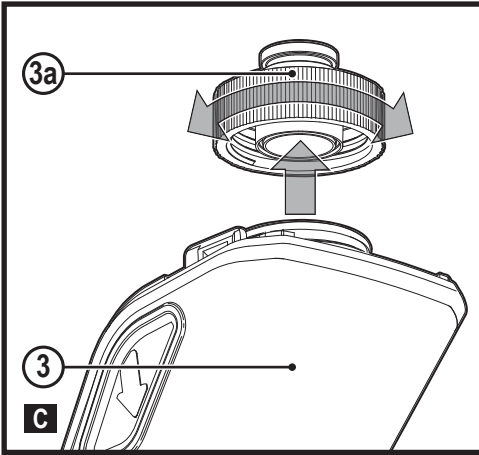
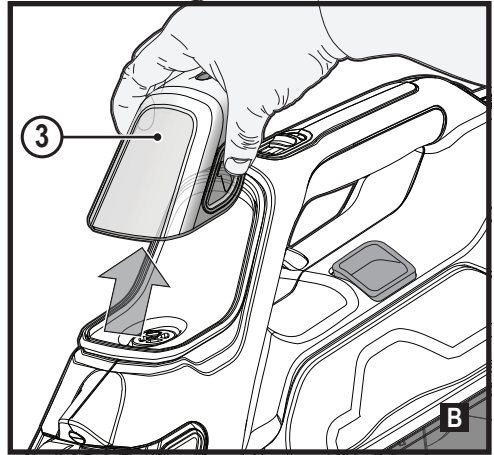
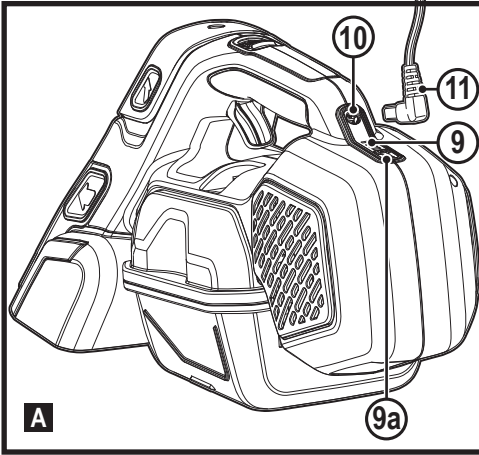
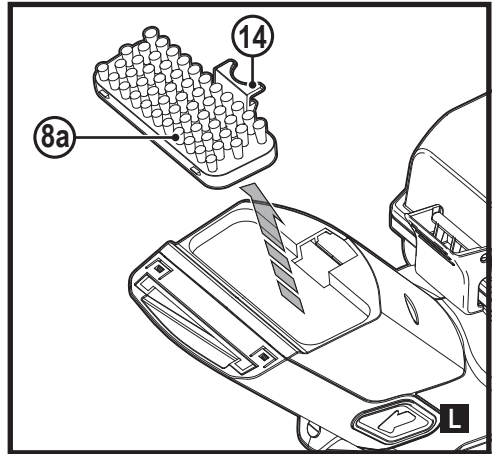
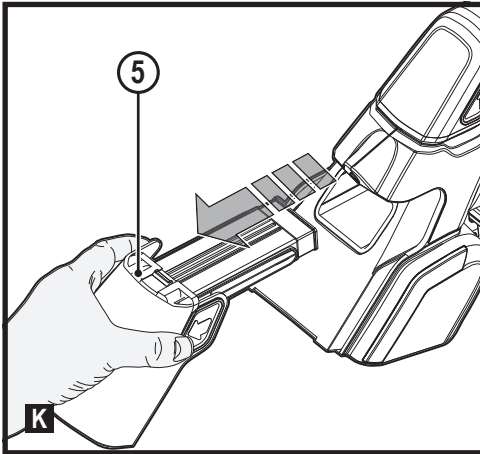
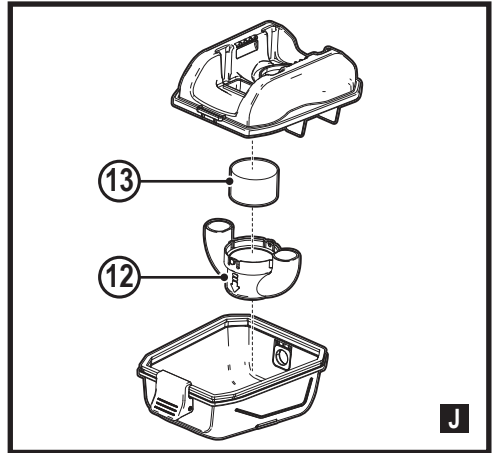
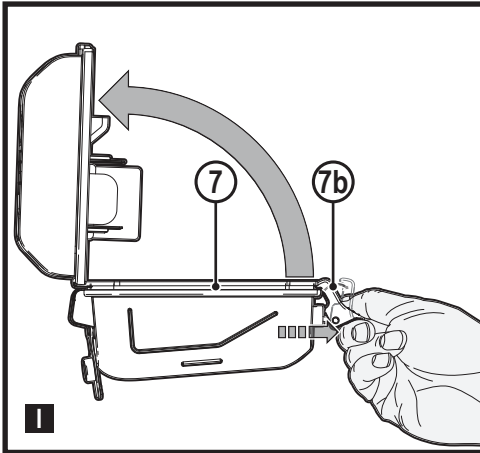
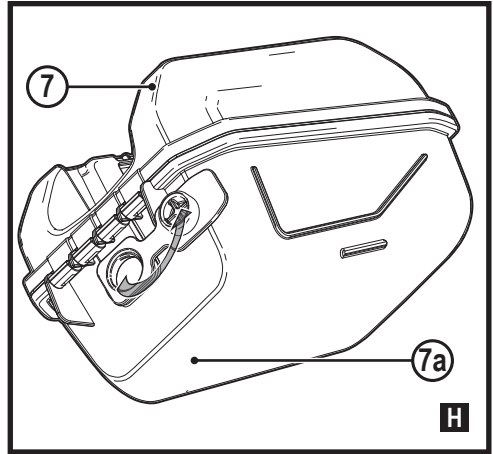
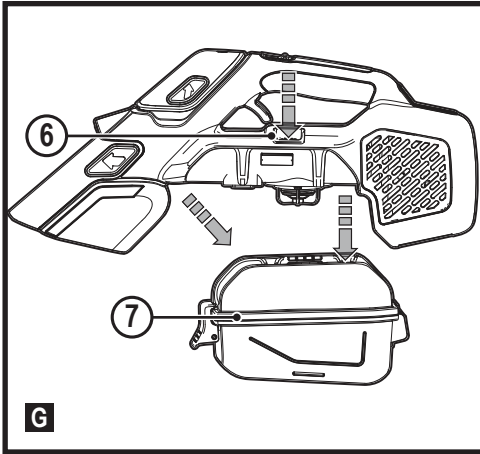
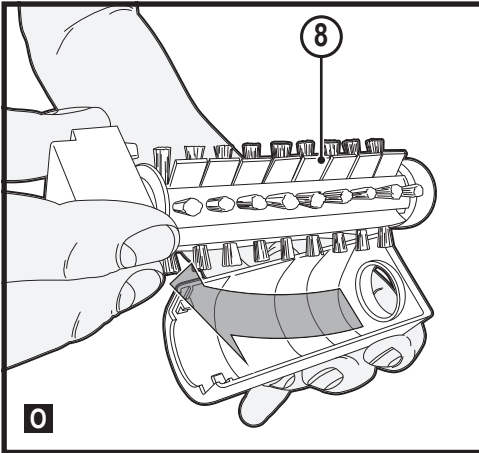
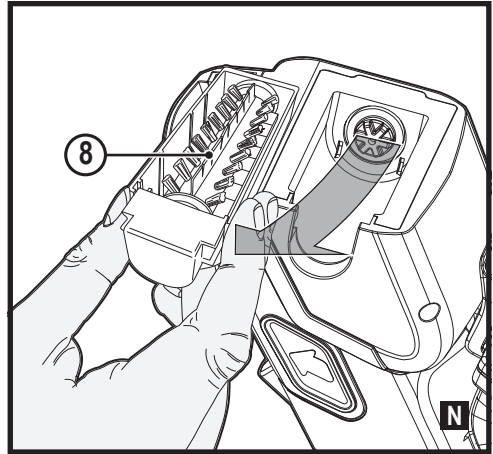
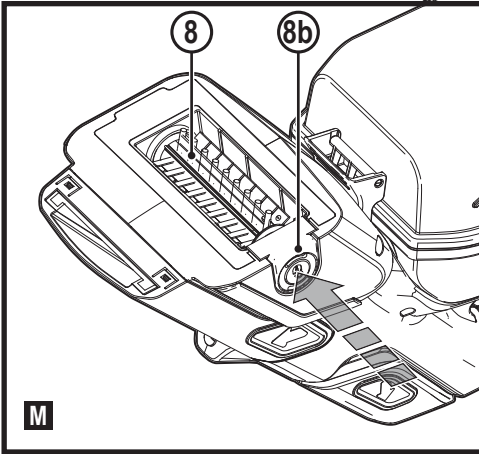


www.blackanddecker.com.au
www.blackanddecker.co.nz

BHSB315J
BHSB320JP







Warning! When using battery-powered appliances, basic safety precautions, including the following, should always be followed to reduce the risk of fire, leaking batteries, personal injury and material damage.

- ◆ Read all of this manual carefully before using the appliance.
- ◆ The intended use is described in this manual. The use of any accessory or attachment or the performance of any operation with this appliance other than those recommended in this instruction manual may present a risk of personal injury.
- ◆ Retain this manual for future reference.

Using your appliance

- ◆ Do not use the appliance to pick up any materials that could catch fire.
- ◆ Do not pick up toxic material (chlorine bleach, ammonia, drain cleaner, etc.).

Intended use

Your BLACK + DECKER BHSB315J, BHSB320JP Spillbuster® handheld vacuum cleaner has been designed for light wet and dry vacuum cleaning purposes. This appliance is intended for household use only.

Safety instructions



Warning! Read all safety warnings and all instructions.

Failure to follow the warnings and instructions listed below may result in electric shock, fire and/or serious injury.

- ◆ Do not immerse the appliance in water.
- ◆ Never pull the charger lead to disconnect the charger from the socket. Keep the charger lead away from heat, oil and sharp edges.
- ◆ This appliance can be used by children aged from 8 years and above and persons with reduced physical, sensory or mental capabilities or lack of experience and knowledge if they have been given supervision or instruction concerning use of the appliance in a safe way and understand the hazards involved. Children shall not play with the appliance. Cleaning and user maintenance shall not be made by children without supervision.
- ◆ This appliance contains batteries that are only replaceable by skilled persons.

WARNING: For the purposes of recharging the battery, only use the detachable supply unit provided with this appliance.

Inspection and repairs

- ◆ Before use, check the appliance for damaged or defective parts. Check for breakage of parts, damage to switches and any other conditions that may affect its operation.
- ◆ Do not use the appliance if any part is damaged or defective.
- ◆ Have any damaged or defective parts repaired or replaced by an authorized repair agent.
- ◆ Regularly check the charger lead for damage.

Replace the charger if the lead is damaged or defective.

- ◆ Never attempt to remove or replace any parts other than those specified in this manual.

Residual risks.

Additional residual risks may arise when using the tool which may not be included in the enclosed safety warnings. These risks can arise from misuse, prolonged use etc.

Even with the application of the relevant safety regulations and the implementation of safety devices, certain residual risks can not be avoided. These include:

- ◆ Injuries caused by touching any moving parts.
- ◆ Injuries caused by touching any hot parts.
- ◆ Injuries caused when changing any parts or accessories.
- ◆ Injuries caused by prolonged use of the appliance. When using any appliance for prolonged periods ensure you take regular breaks.

Batteries and chargers

Batteries

- ◆ Never attempt to open for any reason.
- ◆ Do not expose the battery to water.
- ◆ Do not expose the battery to heat.
- ◆ Do not store in locations where the temperature may exceed 40°C.
- ◆ Charge only at ambient temperatures between 10°C and 40°C.
- ◆ Charge only using the charger provided with the appliance/tool.

Using the wrong charger could result in an electric shock or overheating of the battery.

- ◆ When disposing of batteries, follow the instructions given in the section "Protecting the environment".
- ◆ Do not damage/deform the battery pack either by puncture or impact, as this may create a risk of injury and fire.
- ◆ Do not charge damaged batteries.
- ◆ Under extreme conditions, battery leakage may occur. When you notice liquid on the batteries carefully wipe the liquid off using a cloth. Avoid skin contact.
- ◆ In case of skin or eye contact, follow the instructions below.

Warning! The battery fluid may cause personal injury or damage to property. In case of skin contact, immediately rinse with water. If redness, pain or irritation occurs seek medical attention. In case of eye contact, rinse immediately with clean water and seek medical attention.

Chargers

Your charger has been designed for a specific voltage. Always check that the mains voltage corresponds to the voltage on the rating plate and the information in the technical data table.

Warning! Never attempt to replace the charger unit with a regular mains plug.

- ◆ Use your BLACK+DECKER charger only to charge the battery in the appliance/tool with which it was supplied. Other batteries could burst, causing personal injury and damage.

- ◆ Never attempt to charge nonrechargeable batteries.
- ◆ If the supply cord is damaged, it must be replaced by the manufacturer or an authorised BLACK+DECKER Service Centre in order to avoid a hazard.
- ◆ Do not expose the charger to water.
- ◆ Do not open the charger.
- ◆ Do not probe the charger.
- ◆ The appliance/tool/battery must be placed in a well ventilated area when charging.

Electrical safety

Your charger has been designed for a specific voltage. Always check that the mains voltage corresponds to the voltage on the rating plate. Never attempt to replace the charger unit with a regular mains plug.

Symbols on the charger



Read all of this manual carefully before using the appliance.



This tool is double insulated; therefore no earth wire is required. Always check that the power supply corresponds to the voltage on the rating plate.



The charging base is intended for indoor use only.

Labels on appliance

The following symbols appear on this appliance along with the date code:



S010QS1400040

Use with charger
S010QS1400040

Features

This tool includes some or all of the following features.

1. Fluid dispenser trigger
2. Vacuum ON/OFF button (BHSB315J)
Vacuum ON/OFF button / beater bar ON button (BHSB320JP)
3. Removable fluid tank
4. Spray nozzle
5. Removable chute
6. Collection tank release button
7. Collection tank
8. Power brush (BHSB320JP)
- 8a. Manual brush (BHSB315J)
9. LED indicator
- 9a. State of charge button

Charging the battery BHSB315J, BHSB320JP (Fig. A)

- ◆ Ensure unit is not switched on.
- ◆ Plug wall adapter into outlet.
- ◆ Plug connector (11) into charging port (10) at the back of the handle.
- ◆ The LED light (9) at the back of the handle will light while charging.
- ◆ The LED light (9) will turn off upon completion of charge.
- ◆ Product is not operational while plugged in to charger.

Both these appliances include a state of charge indicator which consists of three white LED lights (9a) that indicate the approximate level of charge remaining in the battery.

- ◆ To check the state of charge, press the state of charge button (9a).

Note: The state of charge indicator is only an indication of the charge left on the battery. It does not indicate tool functionality and is subject to variation based on product components, temperature and end-user application.

Switching ON and OFF (Fig. E)

BHSB315J

- ◆ To start the vacuum, slide the switch (2) forward to the ON position.
- ◆ To stop the vacuum, return the switch to the OFF position.
- ◆ Return the product to the charger immediately after use so that it will be ready and fully charged for the next use. Ensure that the plug connector is fully inserted into the charging port.

BHSB320JP

- ◆ To start the vacuum, slide the switch (2) forward to the ON position.
- ◆ To start the powered scrub brush (8), slide the switch (2) forward to the scrub and vacuum position.

- ◆ To stop the vacuum and scrub brush, return the switch to the OFF position.
- ◆ Return the product to the charger immediately after use so that it will be ready and fully charged for the next use. Ensure that the plug connector is fully inserted into the charging port.

Vacuuuming dry and wet spills

Wet and dry pick-up

- ◆ This unit can be used to pick up everyday dry, wet or liquid spills.
- ◆ For best results, hold the appliance at an angle of 45° and pull it slowly towards you.
- ◆ If there is any liquid in the collection tank, do not turn the unit upside down, sideways, point the nozzle upward or shake the vac excessively.
- ◆ After picking up wet and dry substances clean the vac and collection tank immediately. Mould and mildew may form if the unit is not properly cleaned after wet pickups.

Hard Surfaces BHSB315J and BHSB320JP

Vacuum only mode

- ◆ Switch the vacuum to the ON position.
- ◆ Make a forward pass over the area that needs to be cleaned. Vacuuming is optimized with nose slightly angled toward with the vacuum head on the surface being cleaned.
- ◆ Make a backward pass over the area that needs to be cleaned. Vacuuming is optimized with the vacuum head pressed firmly onto the surface being cleaned, at a slightly steeper angle than the forward pass.
- ◆ Multiple passes may be necessary depending on the type of surface and the size of the mess being cleaned.

Carpeted Surfaces BHSB315J and BHSB320JP

Vacuum only mode

- ◆ Switch the vacuum to the ON position.
- ◆ Make a forward pass over the area that needs to be cleaned. Vacuuming is optimized with nose slightly angled toward with the vacuum head on the area being cleaned.
- ◆ Make a backward pass over the area that needs to be cleaned. Vacuuming is optimized with the vacuum head pressed firmly into the carpet, at a slightly steeper angle than the forward pass.
- ◆ Multiple passes may be necessary depending on the type of surface and the size of the mess being cleaned.

Scrubbing Hard and Carpeted Surfaces

Scrub and vacuum mode (BHSB315J Only)

- ◆ Switch the vacuum to the ON position.

- ◆ Make a forward pass over the area that needs to be cleaned. Vacuuming is optimized with nose slightly angled toward with the vacuum head on the area being cleaned.
- ◆ Make a backward pass over the area that needs to be cleaned. Vacuuming is optimized with the vacuum head pressed firmly into the carpet or against the surface being cleaned, at a slightly steeper angle than the forward pass.
- ◆ Multiple passes may be necessary depending on the type of surface and the size of the mess being cleaned.
- ◆ If a stain is still present, refer to stain cleaning instructions.

Scrub and vacuum mode (BHBS320JP Only)

- ◆ Switch the vacuum to the scrub and vacuum position. The powered scrub brush (8) will activate.
- ◆ Make a forward pass over the area that needs to be cleaned. Vacuuming is optimized with nose slightly angled toward with the vacuum head on the area being cleaned.
- ◆ Make a backward pass over the area that needs to be cleaned. Vacuuming is optimized with the vacuum head pressed firmly into the carpet or against the surface being cleaned, at a slightly steeper angle than the forward pass.
- ◆ Multiple passes may be necessary depending on the type of surface and the size of the mess being cleaned.
- ◆ If a stain is still present, refer to stain cleaning instructions.

Stain Cleaning

Filling Fluid Dispenser (Fig. B, C, D)

- ◆ Remove fluid tank (3) by pulling straight up and away from the main body as illustrated in figure B.
- ◆ Unscrew the cap (3a) as illustrated in figure C.
- ◆ Fill with a suitable cleaning solution up to 120ml. Follow cleaning solution manufacturer instructions for proper use. A non-foaming cleaning solution is recommended
- ◆ Replace cap (3a).
- ◆ Replace fluid tank (3) onto the main body. An audible click will be heard indicating the tank is secured in position.
- ◆ To ensure the fluid dispenser tank (3) is fully seated, ensure there are no gaps in the seams between the tank (3) and main body. The fluid tank may leak if gaps are present.

Cleaning New/Fresh spills (BHBS315J Only)

- ◆ Switch the vacuum to the ON position.
- ◆ Vacuum the liquid and solids from the area of the spill using the vacuum head.
- ◆ Switch vacuum off. Empty tank of any liquids or solids.

Then look for any stains.

- ◆ If a stain is present, angle fluid dispenser nozzle (4) toward the stain and pull the spray trigger (1) under the main handle to dispense the cleaning solution as illustrated in figure F.

- ◆ Lightly coat the stained area with the cleaning solution.

Warning! If too much cleaning solution is applied, excessive foaming can occur.

- ◆ Scrub stained area with the bristle brushes (8a).
- ◆ Switch the vacuum to the ON position.
- ◆ Vacuum the liquid and foam on the stained area by tilting the unit to a slight angle and ensuring the vacuum head makes contact with the liquid and foam.

Note: Pull the vacuum head backward over the area to improve suction. Repeat this process across the entire stained area.

- ◆ Repeat the spray solution, scrubbing and vacuuming process as necessary. Empty tank between process for best results
- ◆ Once area is cleaned, allow the area to completely dry and check affected area for any remaining staining.

Note: Area may appear to still be stained while wet.

Please allow treated area 24 hours to dry completely before further treatment.

Cleaning New/Fresh spills (BHBS320JP Only)

- ◆ Switch the vacuum to the ON position.
- ◆ Vacuum the liquid and solids from the area of the spill using the vacuum head.
- ◆ Switch vacuum off. Empty tank of any liquids or solids. Then look for any stains.
- ◆ If a stain is present, angle fluid dispenser nozzle (4) toward the stain and pull the spray trigger (1) under the main handle to dispense the cleaning solution as illustrated in figure F.
- ◆ Lightly coat the stained area with the cleaning solution.

Warning! If too much cleaning solution is applied, excessive foaming can occur. If foam is seen coming through the rear of the unit, this will not harm the product. If this occurs, switch the unit off and allow to dry thoroughly before reusing.

- ◆ Switch vacuum to scrub and vacuum position.
- ◆ Placing the face of the powered scrub brush flat to the surface, moderately pressing down to engage brush into the surface, slowly move the unit back and forth over the stained area.
- ◆ Switch to Vacuum mode.
- ◆ Vacuum the liquid and foam on the stained area by tilting the unit to a slight angle and ensuring the vacuum head makes contact with the liquid and foam.

Note: Pull the vacuum head backward over the area to improve suction. Repeat this process across the entire stained area.

- ◆ Repeat the spray solution, scrubbing and vacuuming process as necessary. Empty tank between process for best results.
- ◆ Once area is cleaned, allow the area to completely dry and check affected area for any remaining staining.

Note: Area may appear to still be stained while wet.

Please allow treated area 24 hours to dry completely before further treatment.

Emptying and cleaning the collection tank (Fig. G, H, I, J)

Warning! Never use the vac without its foam filter.

There are two methods of cleaning the collection tank (7), a quick empty method for liquid only waste and a thorough clean out method for solid and liquid waste.

Emptying collection tank

Warning! DO NOT try to empty waste in the collection tank (7) when still installed on the main body.

- ◆ When fluid reaches the max. fill line (250ml), turn the vacuum OFF.

Removing collection tank

- ◆ Press the collection tank release button (6).
- ◆ Pull the collection tank (7) straight down and away from the main body as illustrated in figure G.

Liquid only waste

- ◆ Remove collection tank (7) from main body.
- ◆ Place collection tank (7) over an appropriate disposal area.
- ◆ Pull the liquid plug (7a) and tilt the collection tank (7) to drain liquid contents quickly.
- ◆ Once drained, reinstall liquid plug (7a).
- ◆ Install collection tank (7) onto main body until it "clicks" firmly into position, resume cleaning.
- ◆ When cleaning task is complete, follow Maintenance instructions for cleaning and storage.

Solid and liquid waste

Warning! DO NOT try to empty waste in the collection tank (7) when still installed on the main body.

- ◆ Before the fluid reaches the max. fill line (250ml), turn the vacuum OFF.
- ◆ Remove collection tank (7) from main body.
- ◆ Place collection tank (7) over an appropriate disposal area.
- ◆ While holding the bottom half of the collection tank, unlock the latch (7b) at the front of the collection tank (7).
- ◆ Open the collection tank (7) and pour the contents into an appropriate container.
- ◆ Rinse the collection tank (7) with water to remove leftover debris.
- ◆ Remove the air separator (12) and rinse clean with water.

- ◆ Remove the foam filter (13) and rinse clean with water and allow to dry. Once dry and clean, install into place.
- ◆ Close the collection tank (7) and lock the latch (7b), ensuring the collection tank (7) is properly sealed.

Note: The foam filter is re-usable, do not confuse it with a disposable filter, and do not throw it away when the product is emptied. We recommend that you replace the foam filter every 6–9 months depending on frequency of use.

Note: Check to see if the air separator (12) is free of water and debris. Clean if needed.

- ◆ Install collection tank (7) onto main body until it "clicks" firmly into position and resume cleaning.
- ◆ When cleaning task is complete, follow Maintenance instructions for cleaning and storage.

Note: Maximum debris collection will only be obtained with a clean filter, clean chute and an empty collection tank.

If debris begins to fall back out of the product after it is switched OFF, this indicates that the collection tank is full and requires emptying.

- ◆ Wash the foam filter, chute and collection tank regularly using warm, soapy water and ensure that it is completely dry before using again.
- ◆ It is very important that the filter is correctly in position before use.

Note: Use only mild soap and damp cloth to clean the vac.

Never let any liquid get inside the vac; never immerse any part of the vac into a liquid.

Warning! Make sure the vacuum is completely dry before using it.

Note: To assure product SAFETY and RELIABILITY, repairs, maintenance and adjustment (other than those listed in this manual) should be performed by authorized service centers or other qualified service organizations, always using identical replacement parts.

Cleaning Chute & Nozzle (Fig. K)

- ◆ Remove the chute and cap (5) by pulling the cap away from the main body as illustrated in figure K.
- ◆ The cap (5) can be lifted away from the chute to rinse and wash each component.
- ◆ Both components are dishwasher safe (top rack only).
- ◆ Ensure the chute and cap are dry before re-assembling.
- ◆ Once cleaning is finished, attach cap onto the chute and insert into the assembly into the front of the main body.

Removing and cleaning the manual scrub brush BHSB315J only (Fig. L)

The manual scrub brush (8a) can be easily removed from the vacuum head for cleaning.

- ◆ Press down the tab (14) and remove the entire brush assembly (8a).
- ◆ Once the brushes have been cleaned, replace the brush assembly, ensuring it clicks into place.

Note: Do not attempt to wash manual scrub brush while still attached to the unit.

Removing and cleaning the powered scrub brush

BHSB320JP Only (Fig. M, N, O)

- ◆ To remove the powered scrub brush (8) depress the release button (8b) as illustrated in figure M.
- ◆ The powered scrub brush (8) can now be lifted up and removed.
- ◆ Clean the powered scrub brush (8), and reinstall. Ensure it is secured in its locked position before operating.

Note: Do not attempt to wash powered scrub brush while still attached to the unit.

Storage

- ◆ Ensure vacuum is turned OFF.
- ◆ Empty fluid tank of all chemicals. Wash with warm clean water and dry. Ensure collection tank is emptied and cleaned to reduce dirt build up.
- ◆ Check if charging is required by pressing the state of charge indicator button (9a) at the back of the main handle. If charge is required, plug in the jack plug to charging socket and allow the appliance to charge.
- ◆ Store main body with the collection tank (7) on a flat level surface with ON/OFF switch (2) facing up.
- ◆ Store out of reach of children or pets.

Troubleshooting

If the product does not work, check the following:

- ◆ The charger was correctly plugged in for recharge. (It feels slightly warm to the touch.)
- ◆ The charger cord is not damaged and is correctly attached.
- ◆ The charger is plugged into a working electrical outlet.
- ◆ The switch is in the "OFF" position when charging.

Replacing the filters

The filters should be replaced every 6 to 9 months and whenever worn or damaged.

Replacement filters are available from your BLACK+DECKER Service Department:

Maintenance

Your BLACK+DECKER corded/cordless appliance/tool has been designed to operate over a long period of time with a minimum of maintenance. Continuous satisfactory operation depends upon proper tool care and regular cleaning.

Warning! Before performing any maintenance on corded/cordless power tools:

- ◆ Switch off and unplug the appliance/tool.
- ◆ Or switch off and remove the battery from the appliance/tool if the appliance/tool has a separate battery pack.
- ◆ Or run the battery down completely if it is integral and then switch off.

- ◆ Unplug the charger before cleaning it. Your charger does not require any maintenance apart from regular cleaning.
- ◆ Regularly clean the ventilation slots in your appliance/tool/charger using a soft brush or dry cloth.
- ◆ Regularly clean the motor housing using a damp cloth. Do not use any abrasive or solvent-based cleaner.

Protecting the environment



Separate collection. Products and batteries marked with this symbol must not be disposed of with normal household waste.

Products and batteries contain materials that can be recovered or recycled reducing the demand for raw materials. Please recycle electrical products and batteries according to local provisions. Further information is available at www.2helpU.com

Technical data

	BHSB315J	BHSB320JP
Voltage (V)	12V	12V
Battery	1.5Ah	2.0Ah
Weight (Kg)	1.9Kg	2.0Kg
Charger	S010QS1400040	S010QS1400040
Input Voltage (V _{ac})	100 - 240V _{ac}	100 - 240V _{ac}
Output Voltage (V)	14V	14V
Current (mA)	400	400
Approx charge time	3.75h	5h

Australia & New Zealand
Stanley Black & Decker
www.blackanddecker.com.au
www.blackanddecker.co.nz
Tel. 1800 338 002 (Aust) or Tel. 0800 339 258 (NZ)
810 Whitehorse Road Box Hill VIC 3128, Australia