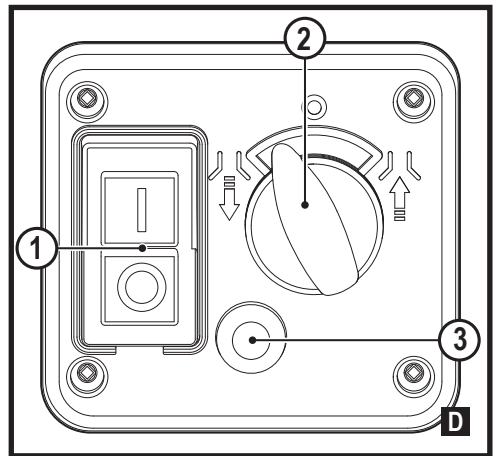
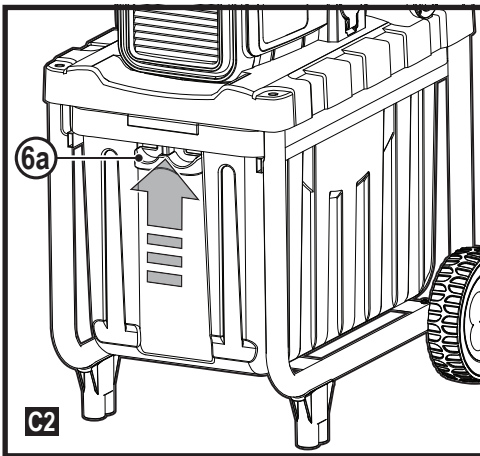
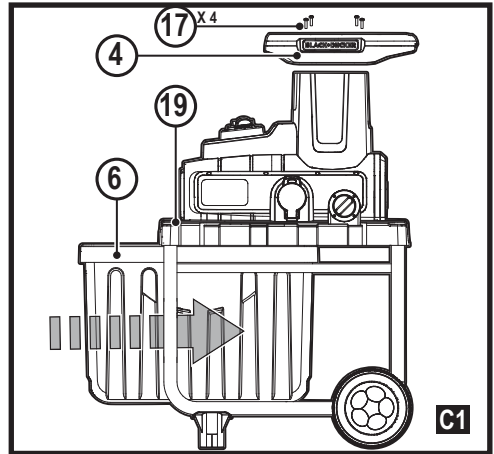
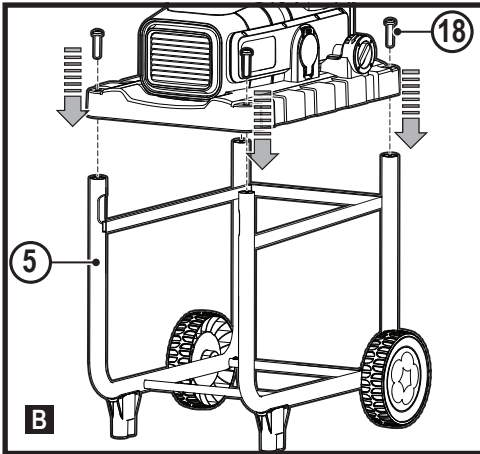
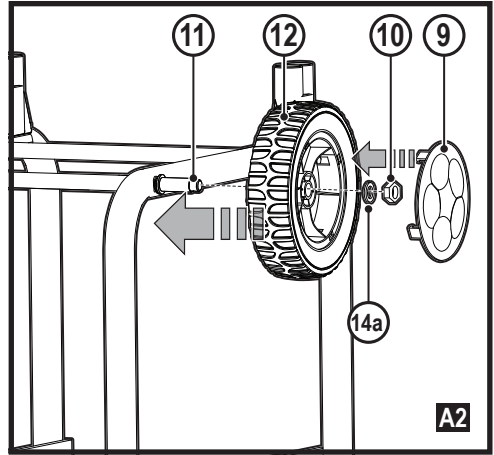
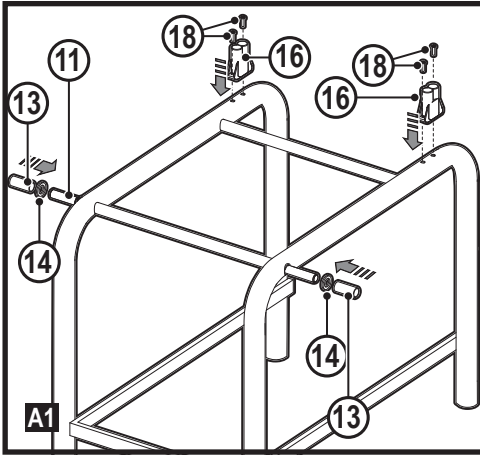
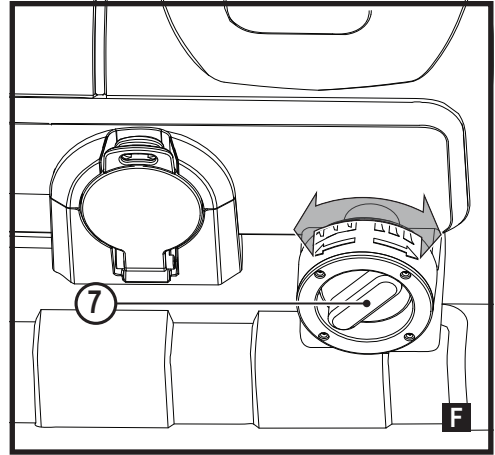
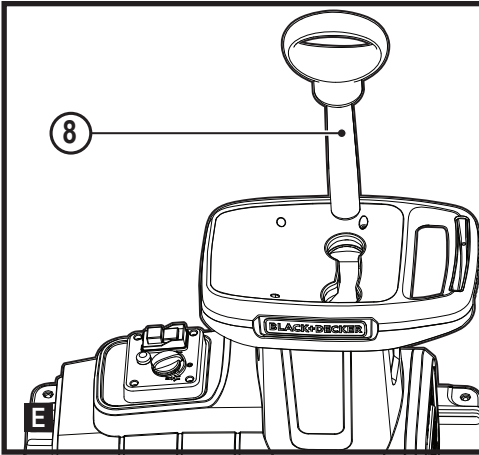


[www.blackanddecker.com.au](http://www.blackanddecker.com.au)  
[www.blackanddecker.co.nz](http://www.blackanddecker.co.nz)

**BEGAS5800**







### Intended use

Your BLACK+DECKER™ garden shredder BEGAS5800 has been designed for shredding most kitchen and garden waste, including prunings, hedge trimmings, twigs and other organic garden waste as well as paper and cardboard. The shredded waste is ideal for composting purposes or to obtain a smaller volume of waste for easy disposal.

This garden shredder is intended for consumer use only. It is intended for intermittent use: the recommended material feed time is 40% of the total run time of the shredder. Selecting and picking up the material will normally provide a sufficient idle time.

## Safety instructions

**Warning!** When using mains-powered appliances, basic safety precautions, including the following, should always be followed to reduce the risk of fire, electric shock, personal injury.

- ◆ Read all of this manual carefully before using the appliance and material damage.
- ◆ The intended use is described in this manual. The use of any accessory or attachment or the performance of any operation with this appliance other than those recommended in this instruction manual may present a risk of personal injury.

- ◆ Retain this manual for future reference.

## Safe operating practices for powered shredder/chipper

### Training

- ◆ Read the instructions carefully. Be familiar with the controls and the correct use of the machine.
- ◆ Never allow children or people unfamiliar with these instructions to use the machine. Local regulations can restrict the age of the operator.
- ◆ Keep in mind, that the operator or user is responsible for accidents or hazards occurring to other people or their property.

### Preparation

- ◆ Obtain ear protection and safety glasses. Wear them at all times while operating the machine.
- ◆ While operating the machine always wear substantial footwear and long trousers.

Do not operate the machine when barefoot or wearing open sandals. Avoid wearing clothing that is loose fitting or that has hanging cords or ties.

- ◆ Operate the machine in a recommended position and only on a firm, level surface.
- ◆ Do not operate the machine on a paved or gravel surface where ejected material could cause injury.
- ◆ Before using, always visually inspect to see, that the shredding means, shredding means bolts and other fasteners are secure, the housing is undamaged and that guards and screens are in place. Replace worn or damaged components in sets to preserve balance. Replace damaged or unreadable labels.
- ◆ Before use check the supply and extension cord for signs of damage or aging.  
If the cord becomes damaged during use. disconnect the cord from the supply immediately. **DO NOT TOUCH THE CORD BEFORE DISCONNECTING THE SUPPLY.**  
Do not use the machine if the cord is damaged or worn.
- ◆ Never operate the machine while people, especially children, or pets are nearby.

## Operation

- ◆ Before starting the machine, make certain that the feeding chamber is empty.

- ◆ Keep your face and body away from the feed intake opening.
- ◆ Do not allow hands or any other part of the body or clothing inside the feeding chamber, discharge chute, or near any moving part.
- ◆ Keep proper balance and footing at all times. Do not overreach. Never stand at a higher level than the base of the machine when feeding material into it.
- ◆ Always stand clear of the discharge zone when operating this machine.
- ◆ When feeding material into the machine be extremely careful that pieces of metal, rocks, bottles, cans or other foreign objects are not included.
- ◆ If the cutting mechanism strikes any foreign objects or if the machine should start making any unusual noise or vibration, immediately shut off the power source and allow the machine to stop.  
Disconnect the machine from the supply and take the following steps before restarting and operating the machine:
  - ◆ inspect for damage;
  - ◆ replace or repair any damaged parts;
  - ◆ check for and tighten any loose parts.
- ◆ Do not allow processed material to build up in the discharge zone; this may prevent proper discharge and can result in kickback of material through the feed intake opening.

- ◆ If the machine becomes clogged, shut-off the power source and disconnect the machine from supply before cleaning debris.
- ◆ Never operate the machine with defective guards or shields, or without safety devices, for example debris collector in place.
- ◆ Keep the power source clean of debris and other accumulations to prevent damage to the power source or possible fire.
- ◆ Do not transport this machine while the power source is running.
- ◆ Stop the machine, and remove plug from the socket. Make sure that all moving parts have come to a complete stop;
  - ◆ whenever you leave the machine,
  - ◆ before clearing blockages or unclogging chute,
  - ◆ before checking, cleaning or working on the machine.
- ◆ Do not tilt the machine while the power source is running.

## Maintenance and storage

- ◆ When the machine is stopped for servicing, inspection, or storage, or to change an accessory, shut off the power source, disconnect the machine from the supply and make sure that all moving parts are come to a complete stop. Allow the machine to cool before making any inspections, adjustments, etc. Maintain the machine with care and keep it clean.
- ◆ Store the machine in a dry place out of

the reach of children.

- ◆ Always allow the machine to cool before storing.
- ◆ When servicing the shredding means be aware that, even though the power source is switched off due to the interlock feature of the guard, the shredding means can still be moved.
- ◆ Replace worn or damaged parts for safety. Use only genuine replacement parts and accessories.
- ◆ Never attempt to override the interlocked feature of the guard.

## Additional safety instructions for units with bagging attachments

- ◆ Switch-off the machine before attaching or removing the bag.

## Recommendation

- ◆ The machine should be supplied via a residual current device (RCD) with a tripping current of not more than 30 mA.

## Safety of others

- ◆ This appliance can be used by children aged from 8 years and above and persons with reduced physical, sensory or mental capabilities or lack of experience and knowledge if they have been given supervision or instruction concerning use of the appliance in a safe way and understand the hazards involved.
- ◆ Children shall not play with the appliance. Cleaning and user maintenance shall not be made by children without supervision.

## Residual risks

Additional residual risks may arise when using the tool which may not be included in the enclosed safety warnings. These risks can arise from misuse, prolonged use etc.

Even with the application of the relevant safety regulations and the implementation of safety devices, certain residual risks can not be avoided. These include:

- ◆ Injuries caused by touching any moving parts.
- ◆ Injuries caused by touching any hot parts.
- ◆ Injuries caused when changing any parts or accessories.
- ◆ Injuries caused by prolonged use of the appliance. When using any appliance for prolonged periods ensure you take regular breaks.
- ◆ Impairment of hearing.
- ◆ Health hazards caused by breathing dust developed when using your tool (example:- working with wood, especially oak, beech and MDF.)
- ◆ If operating the shredder in a damp location is unavoidable, use a residual current device (RCD) with a tripping current of not more than 30 mA. Use of an RCD reduces the risk of electric shock.
- ◆ Never pick up or carry an appliance while the motor is running.

## Guard against electric shock

- ◆ The appliance must be connected to a socket or extension cable containing an earth connection.
- ◆ Electric safety can be further improved by using a high-sensitivity (30 mA / 30 mS) residual current device (RCD).
- ◆ Your appliance is designed for use on AC (mains) electrical supplies only. Do not attempt to use it on any other supply.

## Extension cables

- ◆ When using the appliance outdoors, only use extension cables intended for outdoor use.
- ◆ Up to 25 m 1.5 mm<sup>2</sup> 3-core extension cable can be used without loss of power.
- ◆ Always keep extension cords away from moving hazardous parts to avoid damages to the cords which can lead to contact with live parts.

## Operation

- ◆ Before starting the appliance, look into the feeding chamber to make certain that it is empty.
- ◆ Keep your face and body away from the feed intake opening, long branches may lash out when being pulled in by the cutting gear. Do not allow hands or any other part of the body or clothing inside the feeding chamber, discharge chute, or near any moving part.
- ◆ Keep proper balance and footing at all times. Do not overreach. Never stand at a higher level than the base of the appliance when feeding material into it.

- ◆ Always stand clear of the discharge zone when operating this appliance.
- ◆ When feeding material into the appliance be extremely careful that pieces of metal, rocks, bottles, cans or other foreign objects are not included.
- ◆ If the cutting mechanism strikes any foreign objects or if the appliance starts making any unusual noise or vibration, turn the appliance off, remove the plug from the mains and allow the appliance to stop.
  - ◆ Inspect the appliance for damage.
  - ◆ Check for and tighten any loose parts.
  - ◆ Have any damaged parts replaced or repaired with original parts by an authorised repair agent.
- ◆ Do not allow processed material to build up in the discharge zone; this may prevent proper discharge and can result in kickback of material through the feed intake opening.
- ◆ If the appliance becomes clogged, turn the appliance off, remove the plug from the mains and allow the appliance to stop before clearing debris.
- ◆ Keep all guards and deflectors in place and in good working condition.
- ◆ Do not transport or tilt the appliance whilst in operation.
- ◆ Do not leave the appliance unattended. Whenever you leave the work area, turn the appliance off, remove the plug from the mains and allow the appliance to stop.

Children must be supervised to ensure they do not play with the appliance.

- ◆ Do not tilt the appliance while the power source is running.
- ◆ Always disconnect the supply:
  - ◆ before clearing a blockage;
  - ◆ before checking, cleaning or working on the machine;
  - ◆ after striking a foreign object to inspect the machine for damage;
  - ◆ if the machine starts to vibrate abnormally;

## Maintenance and storage

- ◆ When the appliance is stopped for servicing, inspection, or storage, or to change an accessory, turn the appliance off and remove the plug from the mains.

Make sure that all moving parts have come to a complete stop before making any inspections, adjustments, etc.
- ◆ Store the appliance in a dry and locked location. Children should not have access to stored appliances.

## Labels on appliance

The following pictograms are shown on the tool along with the date code (19) which also includes the year of manufacture, is printed into the housing.

Example:  
2023 XX XX:



**Warning!** Read the manual prior to operation.





Danger - rotating blades. Keep hands and feet out of openings.



Do not use the tool in wet conditions or expose it to rain.



Wear safety glasses or goggles when operating this appliance.



Wear suitable ear protectors when operating this appliance.



Always remove the plug from the socket before cleaning or maintenance. Be careful not to use your appliance if the cable is damaged.



Disconnect the mains plug if the cord becomes damaged or entangled.



Wait until completely stopped before touching.



Beware of flying objects. Keep bystanders away from the cutting area.



Wear gloves when operating this tool.



Do not use as a step.



Directive 2000/14/EC guaranteed sound power.

## Electrical safety



**Warning! Warning!** This product must be earthed. Always check that the power supply corresponds to the voltage on the rating plate.

- ◆ If the supply cord is damaged, it must be replaced by the manufacturer or an authorised BLACK+DECKER Service Centre in order to avoid a hazard.
- ◆ Electric safety can be further improved by using a high sensitivity 30 mA Residual Current Device (RCD).

## Features

This appliance includes some or all of the following features.

1. On/off switch
2. Direction selector
3. Overload protection button
4. Funnel
5. Stand
6. Collection bin
7. Adjustment knob
8. Plunger
9. Appliance inlet (for use on European models only which are not supplied with a power cable)

## Assembly

**Warning!** Before assembly, make sure that the appliance is switched off and unplugged.

### Attaching the wheels to the stand (Fig. A1 & A2)

- ◆ Turn the stand upside down and slide the wheel axle (11) into the axle tube
- ◆ Fit a washer (14) and a wheel bearing (13) onto each end of the axle.
- ◆ Fit the wheels (12) onto the axle (11), making sure to face them as shown in figure A2.
- ◆ Fit a washer (14a) on the outside of each wheel.
- ◆ secure the wheels in place with the nuts (10).
- ◆ Fit the hub caps (9).
- ◆ Secure the feet (16) onto the stand (5) using the screws with washer and lock washer (18) as shown in figure A1

### Attaching the motor unit to the stand (Fig. B)

- ◆ Align the holes on the motor unit with the corresponding holes on the stand (5).

- ◆ Insert the screws with washer and lock washer (18) through motor unit and into the stand.

### Attaching upper funnel (Fig. C1)

- ◆ Align the holes on the upper funnel (4) with the corresponding holes on the motor unit and secure using the screws without washer and lock washer (17)

### Fitting the collection bin (Fig. C1 & C2)

- ◆ Slide the collection bin (6) into the stand (5) ensuring that the safety switch (6a) locks securely.

**Note:** The unit will not operate unless the safety switch (6a) is engaged.

### Use

**Warning!** Let the tool work at its own pace. Do not overload.

- ◆ Do not switch the appliance off before it is completely empty, as it may clog and be difficult to restart.
- ◆ Remove soil and stones from plant roots before shredding.
- ◆ Firmly hold branches when feeding them into the shredder.
- ◆ Use the plunger (8) when required to feed material into the shredder as shown in figure E.

### Switching on and off (Fig. D)

#### Switching on

- ◆ Set the direction selector (2) to left position.
- ◆ Press the I button of the on/off switch.

#### Switching off

- ◆ Press the O button of the on/off switch.

**Warning!** Do not operate the direction selector/switches in sequence using abrupt motions. Sudden switching may generate current spikes potentially damaging the shredder.

### Clearing a blockage

If the appliance becomes jammed by branches which are too thick or hard, or foreign bodies, the shredder will most of the time release itself automatically. The rotating direction will automatically reverse thereby releasing the material back through the top. To return the rotation back to normal, proceed as follows:

- ◆ Switch off and wait until the cutting blade has stopped completely.
- ◆ Switch on again with the appliance set to forward rotation.

When the material is jammed:

- ◆ Switch the appliance off.
- ◆ Set the direction selector (2) to the right position.
- ◆ Press the I button until the blockage is removed.

**Warning!** Branches may be ejected from the inlet funnel when the appliance is running in reverse.

If the blockage has not cleared:

- ◆ Switch off and unplug the appliance.
- ◆ Use a piece of wood or the plunger (8) to loosen the debris within the cutting chamber.

- ◆ Replace the plug in the mains socket and operate the appliance as described above to remove any debris.

**Warning!** Always switch off and unplug the appliance when removing a blockage. Do not attempt to remove blockages by hand through the inlet funnel or outlet opening. Keep your hands clear of the cutting chamber.

### Adjusting the cutter plate (Fig. F)

The cutter plate needs to be adjusted if the appliance fails to shred material.

- ◆ Turn the adjustment knob (7) clockwise half a turn into the cutting position to cut through light material completely.
- ◆ Turn the adjustment knob counter-clockwise half a turn into the crushing position to shred heavy materials. The materials may need to be put through the appliance twice to crush the material before cutting it completely.
- ◆ Make sure the cutting blade does not touch the anvil blade to avoid damage to the appliance.

When the shredded material starts to hang like a chain, adjust as follows:

- ◆ Switch the appliance on.
- ◆ Turn very slowly and slightly the adjustment knob (7) clockwise until you hear a light grinding sound or a small amount of aluminium shavings will fall out of the discharge chute. The shredded material will now be separated.

**Warning!** Ensure the appliance is switched on and working in normal forward direction. Adjusting the cutter plate while the appliance is switched off can lead to serious damage of the appliance.

### Overload protection

This appliance has an overload protection. If the appliance becomes blocked and the motor stalls, the power will automatically be switched off.

- ◆ Wait for about 5 minutes for the protection to reset.
- ◆ Disconnect the appliance from the mains supply.
- ◆ Clear the blockage as described above.
- ◆ Connect the appliance to the mains supply.
- ◆ Press the overload protection button (3).
- ◆ Switch the appliance on.

### Hints for optimum use

- ◆ Shred dry materials last, as this will help to clear moist material from the shredder.
- ◆ Do not allow material to pile up and compost prior to shredding.
- ◆ You may feed shreadings into the shredder for a second time to further reduce their volume.
- ◆ Refer to the chart at the end of this text.

### Maintenance

Your BLACK+DECKER corded/cordless appliance/tool has been designed to operate over a long period of time with a minimum of maintenance.

Continuous satisfactory operation depends upon proper tool/appliance care and regular cleaning.

**Warning!** Before performing any maintenance on corded/cordless power tools:

- ◆ Switch off and unplug the appliance/tool.
- ◆ Regularly clean the ventilation slots in your tool/appliance and charger using a soft brush or dry cloth.
- ◆ Regularly clean the motor housing using a damp cloth. Do not use any abrasive or solvent-based cleaner.

## Protecting the environment



Separate collection. Products and batteries marked with this symbol must not be disposed of with normal household waste.

Products and batteries contain materials that can be recovered or recycled, reducing demand for raw materials. Please recycle electrical products and batteries according to local provisions.

Further information is available at [www.2helpU.com](http://www.2helpU.com)

## Technical data

		BEGAS5800
Voltage	V	230
Frequency	Hz	50
Power input	W	2400, or 2800 (P40)
No-load speed (blade)	/min	46
No-load speed (motor)	/min	2850
Max cutting diameter	mm	45
Weight	Kg	29.6

Level of sound pressure according to EN 50434:	
Emission sound pressure level ( $L_{pA}$ )	80 dB(A), uncertainty (K) 2.5 dB(A)
Measured sound power level ( $L_{wA}$ )	93 dB(A), uncertainty (K) 1.7 dB(A)

## EC declaration of conformity

MACHINERY DIRECTIVE



BEGAS5800– Shredder

Black & Decker declares that these products described under "technical data" are in compliance with:  
2006/42/EC, EN 60335-1:2012 + A11:2014 + A13:2017+A1:2019+A14:2019+A2:2019+A15:2021; EN 50434:2014

2000/14/EC, Shredder, Annex V

Measured sound power level ( $L_{wA}$ ) 93 dB(A)

Uncertainty (K) 1.7 dB(A)

Guaranteed sound power ( $L_{wA}$ ) 95 dB(A)

These products also comply with Directive  
2014/30/EU and 2011/65/EU.

For more information, please contact Black & Decker at the following address or refer to the back of the manual.  
The undersigned is responsible for compilation of the technical file and makes this declaration on behalf of Black & Decker.

*Patrick Diepenbach*

Patrick Diepenbach  
General Manager, Benelux  
Black & Decker,  
Richard-Klinger-Strasse 11,  
65510 Idstein, Germany  
08/11/2023

Australia & New Zealand  
Stanley Black & Decker  
[www.blackanddecker.com.au](http://www.blackanddecker.com.au)  
[www.blackanddecker.co.nz](http://www.blackanddecker.co.nz)  
Tel. 1800 338 002 (Aust) or Tel. 0800 339 258 (NZ)  
810 Whitehorse Road Box Hill VIC 3128, Australia